



US00D874894S

(12) **United States Design Patent**
Lang

(10) **Patent No.:** **US D874,894 S**

(45) **Date of Patent:** **** Feb. 11, 2020**

- (54) **SHOVEL WITH BATWING TIP**
- (71) Applicant: **Christopher E. Lang**, Perry, KS (US)
- (72) Inventor: **Christopher E. Lang**, Perry, KS (US)
- (**) Term: **15 Years**
- (21) Appl. No.: **29/658,207**
- (22) Filed: **Jul. 30, 2018**
- (51) **LOC (12) Cl.** **08-01**
- (52) **U.S. Cl.**
USPC **D8/10**
- (58) **Field of Classification Search**
USPC D8/1, 7, 9, 10, 11; D21/483, 532
CPC B25G 1/10; A01B 1/00; A01B 1/02; A01B
1/022; A01B 1/024; A01B 1/04; A01B
1/16; A01B 1/026; A01B 1/22; A01B
1/06; A01B 1/08; A01B 1/12; A01B 1/14;
A01G 20/30
See application file for complete search history.

- D442,445 S * 5/2001 Morgan D8/10
- D492,885 S * 7/2004 Whitlock D8/10
- D495,568 S * 9/2004 Register D8/10
- 6,837,528 B1 * 1/2005 Britt A01B 1/02
294/49
- D596,470 S * 7/2009 Greenly D8/10
- D673,018 S * 12/2012 Zang D8/10
- 8,388,031 B1 * 3/2013 Zang A01B 1/04
294/49
- D710,664 S * 8/2014 Licciardello, Jr. D8/10
- D775,501 S * 1/2017 Marron D8/8
- D799,288 S * 10/2017 Baker D8/11
- D808,748 S * 1/2018 Griffore D8/10
- D810,527 S * 2/2018 Baker D8/10

(Continued)

Primary Examiner — Sandra S Snapp

Assistant Examiner — Ieisha N Price

(74) *Attorney, Agent, or Firm* — Dale J. Ream

(57) **CLAIM**

The ornamental design for a shovel with batwing tip, as shown and described.

(56) **References Cited**

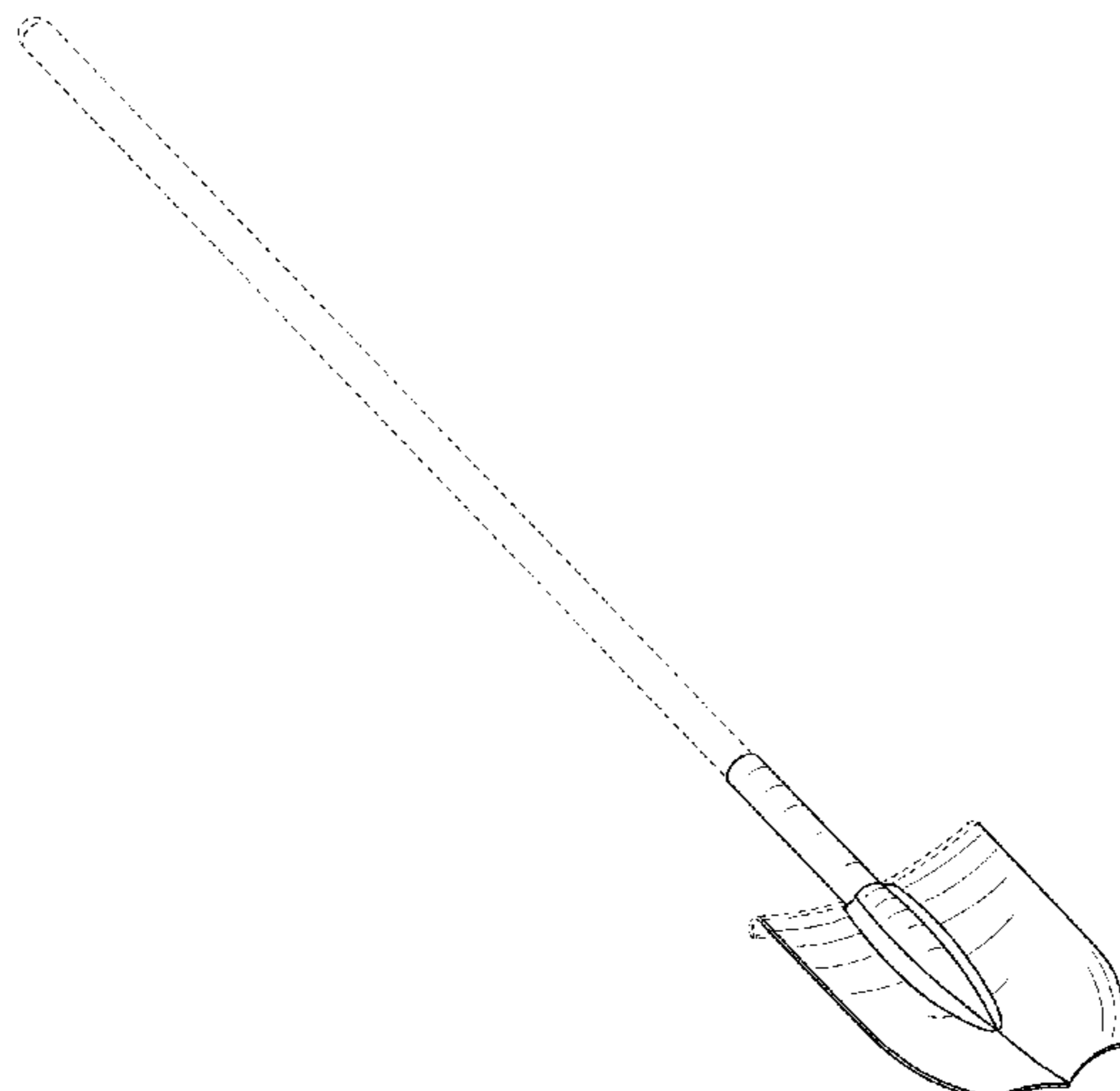
U.S. PATENT DOCUMENTS

- 298,926 A * 5/1884 Watson A01B 1/08
172/381
- D32,854 S * 6/1900 McClintock D8/10
- 809,840 A * 1/1906 Peisker A01B 1/02
294/49
- 1,211,655 A * 1/1917 Adams A01B 1/12
172/380
- 1,437,199 A * 11/1922 Same A01B 1/16
172/381
- 2,006,672 A * 7/1935 Combs A01G 20/30
172/375
- D102,957 S * 1/1937 Renner D8/10
- D242,520 S * 11/1976 Nollar D8/105
- 5,529,130 A * 6/1996 Suk A01B 1/16
172/380
- 5,533,578 A * 7/1996 Powell A01B 1/04
172/378
- D407,955 S * 4/1999 Bierman D8/10

DESCRIPTION

FIG. 1 is a perspective view of a shovel with batwing tip showing my new design;
 FIG. 2 is a rear perspective view thereof;
 FIG. 3 is an enlarged top plan view thereof;
 FIG. 4 is an enlarged bottom plan view thereof;
 FIG. 5 is a front elevation view thereof;
 FIG. 6 is a back elevation view thereof;
 FIG. 7 is a left side elevation view thereof; and,
 FIG. 8 is a right side elevation view thereof.
 The broken line showing of the handle illustrates the environment of the claimed design and forms no part thereof. The remaining broken lines in the drawings illustrate portions of the shovel with batwing tip and form no part of the claimed design.

1 Claim, 5 Drawing Sheets



(56)

References Cited

U.S. PATENT DOCUMENTS

2004/0154132 A1* 8/2004 Ritrovato B25G 1/10
16/430
2010/0308608 A1* 12/2010 Park A01B 1/022
294/51
2016/0338255 A1* 11/2016 Park A01B 1/02
2017/0105328 A1* 4/2017 Wischmeier A01B 1/02
2019/0014711 A1* 1/2019 Shull A01B 1/02

* cited by examiner

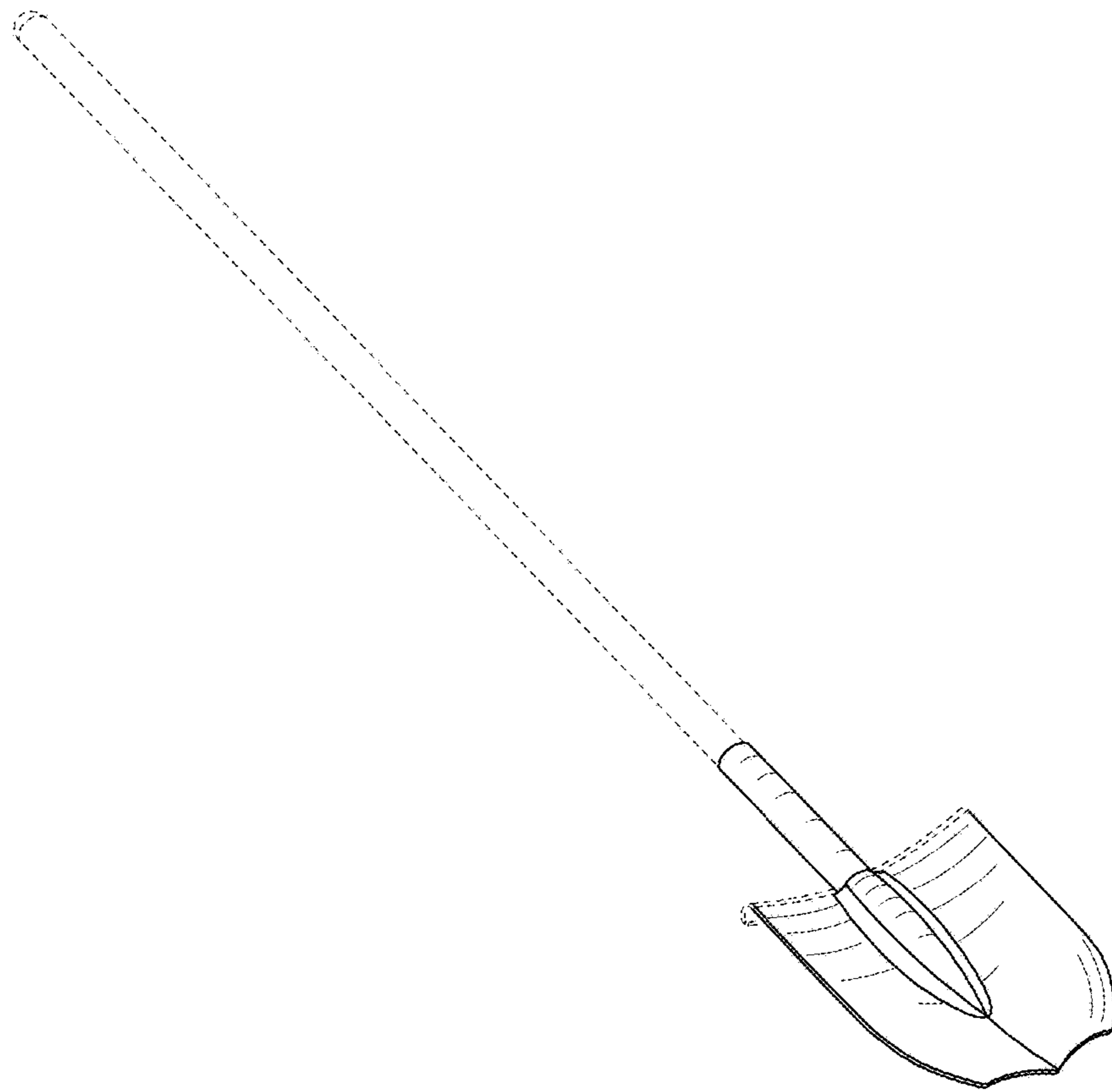


FIG. 1

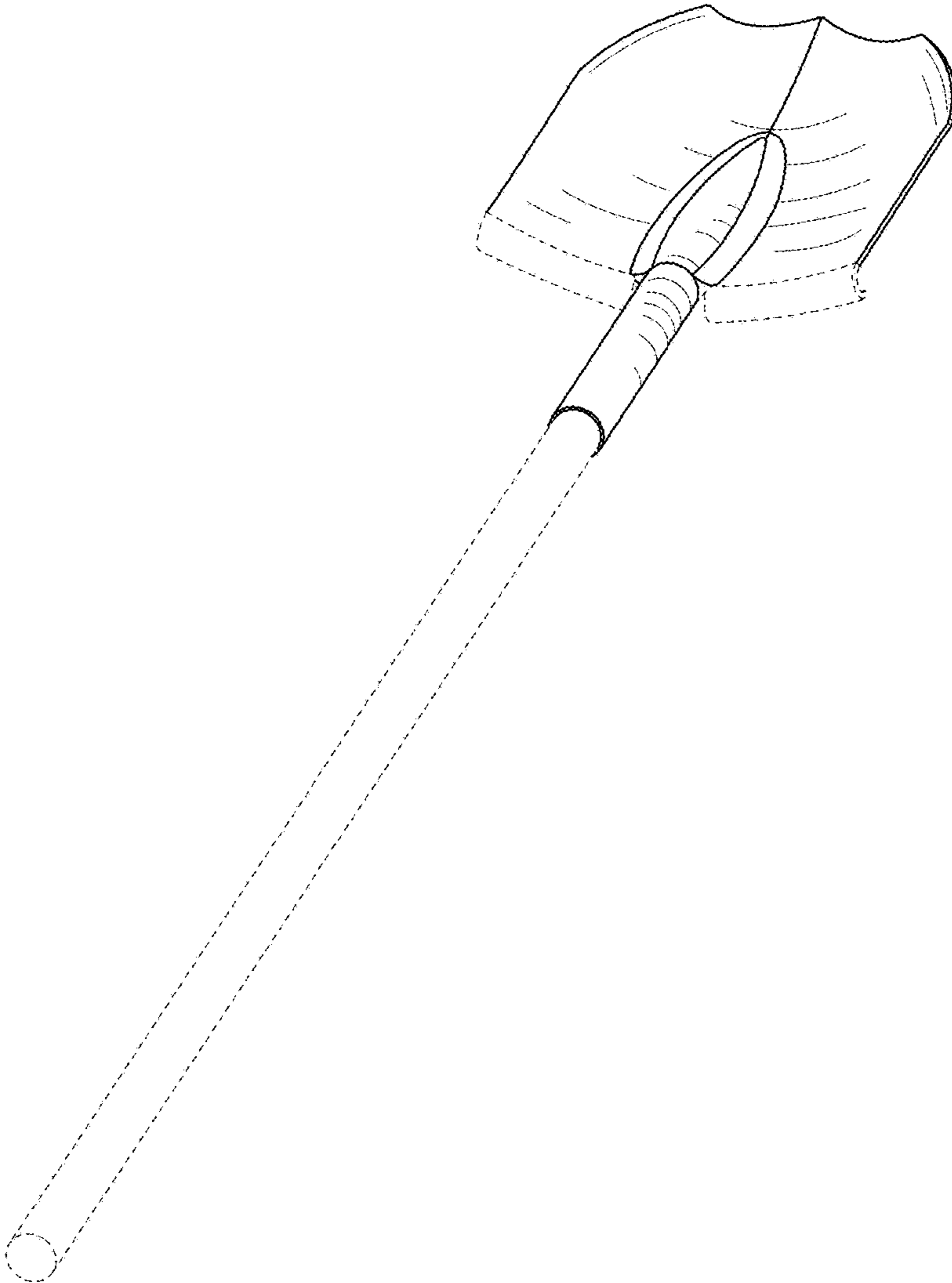


FIG. 2

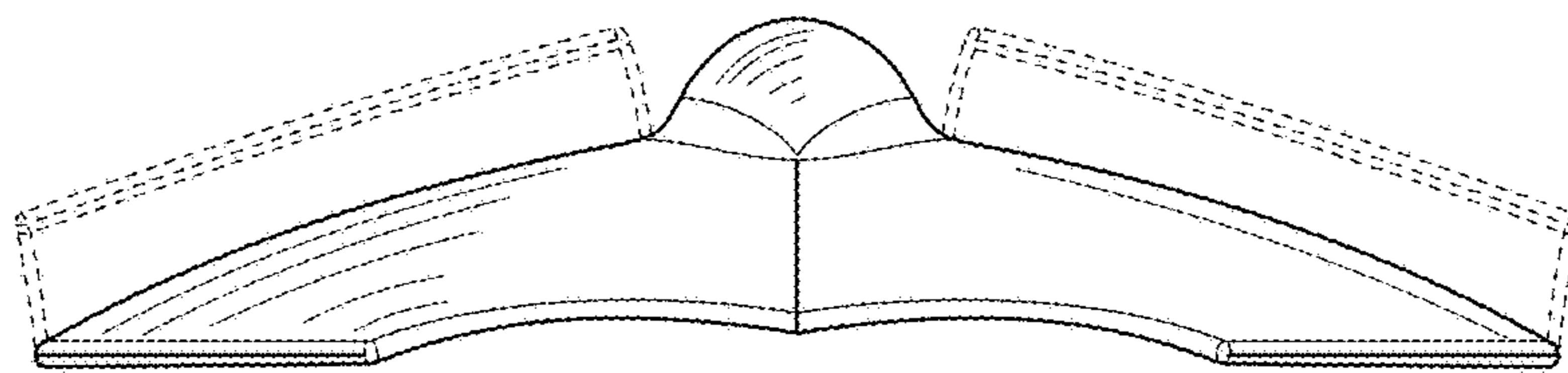


FIG. 3

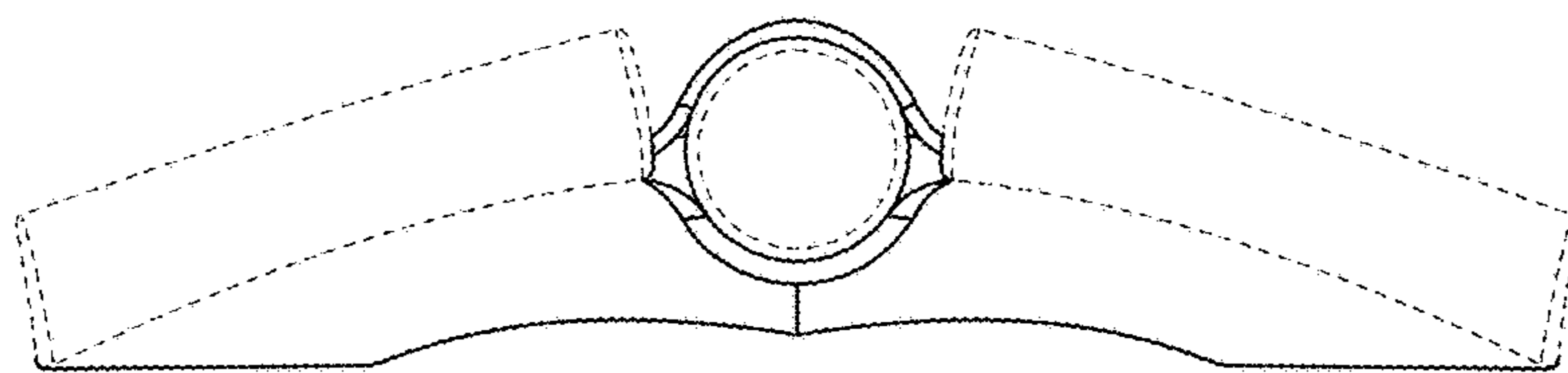
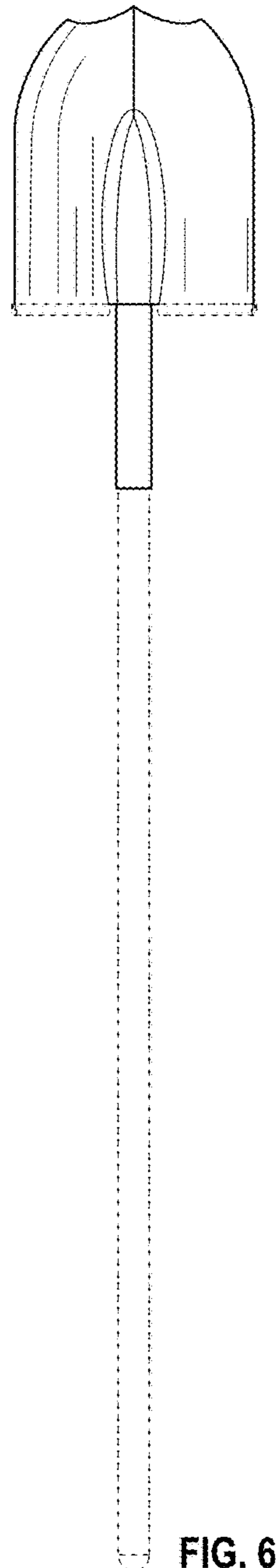
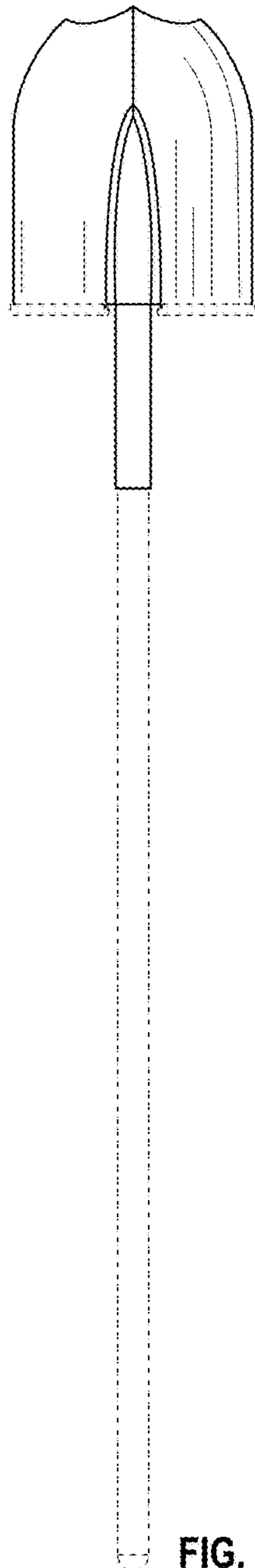


FIG. 4



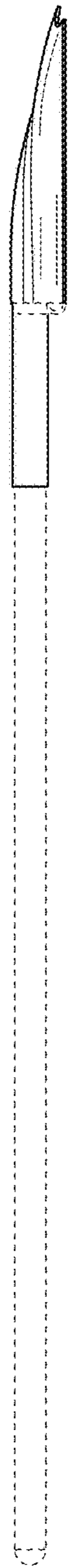


FIG. 7

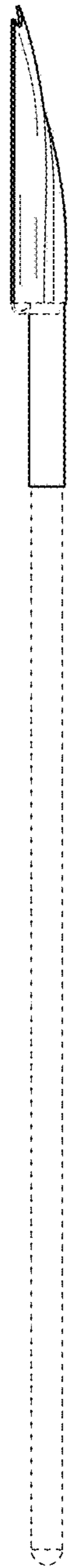


FIG. 8