



US00D874892S

(12) **United States Design Patent** (10) **Patent No.:** **US D874,892 S**  
**Miao** (45) **Date of Patent:** **\*\* Feb. 11, 2020**

- (54) **STRING TRIMMER HEAD**
- (71) Applicant: **Changzhou Globe Co., Ltd.,**  
Changzhou, Jiangsu (CN)
- (72) Inventor: **Xiaofei Miao,** Jiangsu (CN)
- (73) Assignee: **Changzhou Globe Co., Ltd.,**  
Changzhou, Jiangsu (CN)
- (\*\*) Term: **15 Years**
- (21) Appl. No.: **29/709,332**
- (22) Filed: **Oct. 14, 2019**

**Related U.S. Application Data**

- (62) Division of application No. 29/644,549, filed on Apr. 18, 2018, now Pat. No. Des. 867,833.

(30) **Foreign Application Priority Data**

- Oct. 18, 2017 (CN) ..... 2017 3 0496712
- Oct. 18, 2017 (CN) ..... 2017 3 0497344

- (51) **LOC (12) Cl.** ..... **08-01**
- (52) **U.S. Cl.**  
USPC ..... **D8/8**

- (58) **Field of Classification Search**  
USPC ..... D8/7, 8, 9; D15/14, 17  
CPC .. A01D 34/01; A01D 34/416; A01D 34/4161;  
A01D 34/84; A01D 34/90; A01G 3/067;  
A01G 3/06; A01G 3/062  
See application file for complete search history.

(56) **References Cited**

**U.S. PATENT DOCUMENTS**

- D648,993 S 11/2011 Tinius
- D675,074 S \* 1/2013 Baxter ..... D8/8
- D716,621 S \* 11/2014 Tate ..... D8/8
- D751,356 S 3/2016 Carl et al.
- D753,969 S \* 4/2016 Jiang ..... D8/8

- D776,996 S \* 1/2017 Schoch ..... D8/8
- D798,679 S \* 10/2017 Tinius ..... D8/8
- D813,621 S \* 3/2018 Timson ..... D8/8
- D830,798 S \* 10/2018 Tinius ..... D8/8
- D867,833 S \* 11/2019 Chen ..... D8/8
- 10,485,165 B2 \* 11/2019 Yuan ..... B25F 5/008
- 2013/0017706 A1 \* 1/2013 Million ..... A01D 34/90  
439/350

(Continued)

*Primary Examiner* — Sandra S Snapp  
*Assistant Examiner* — Ieisha N Price

(74) *Attorney, Agent, or Firm* — Dorton & Willis, LLP

(57) **CLAIM**

The ornamental design for a string trimmer head, as shown and described.

**DESCRIPTION**

FIG. 1 is a front perspective view of the string trimmer head according to the invention.

FIG. 2 is a rear perspective view of the string trimmer head according to the invention.

FIG. 3 is a front view of the string trimmer head according to the invention.

FIG. 4 is a rear view of the string trimmer head according to the invention.

FIG. 5 is a right side view of the string trimmer head according to the invention.

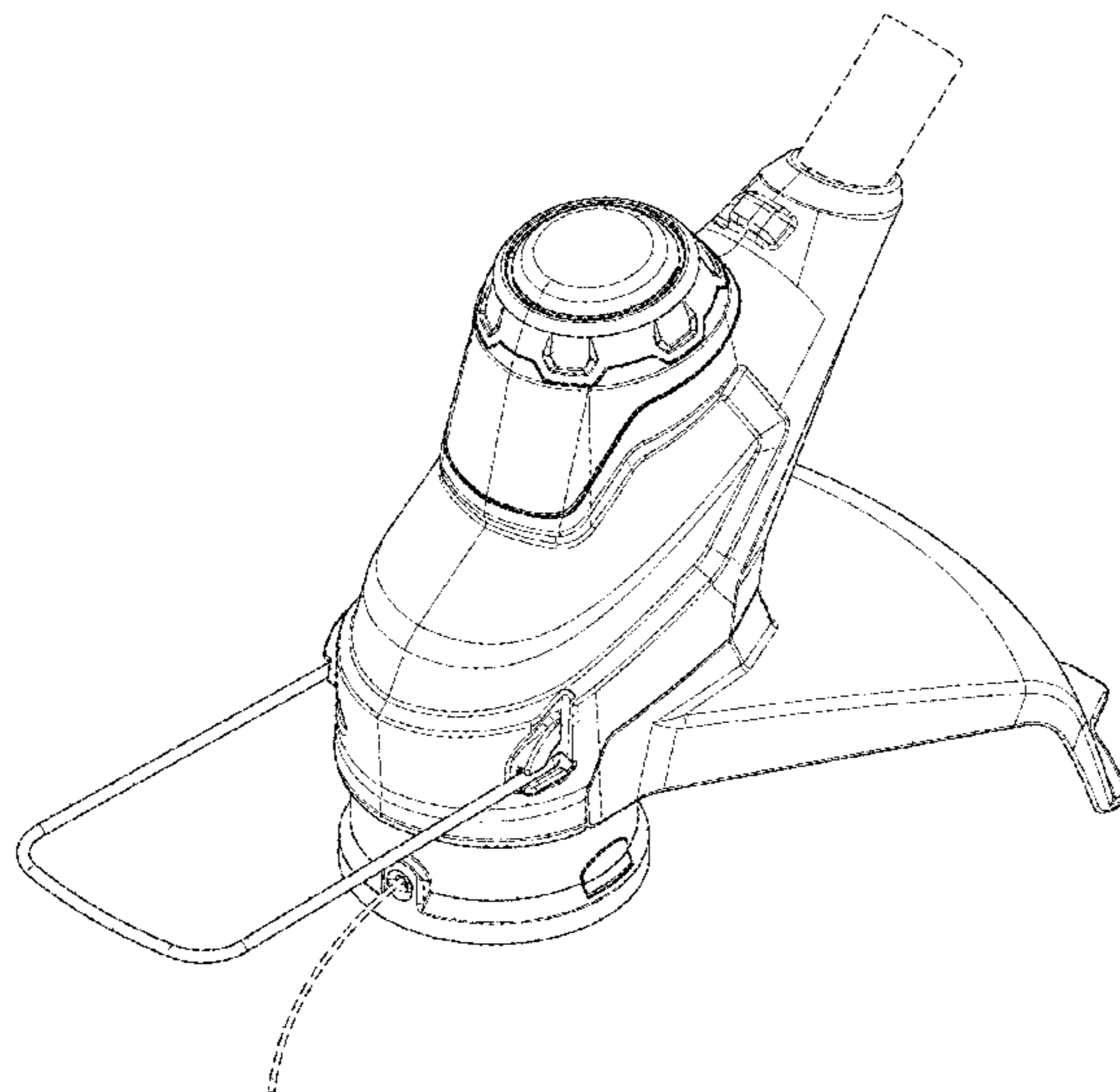
FIG. 6 is a left side view of the string trimmer head according to the invention.

FIG. 7 is a top view of the string trimmer head according to the invention; and,

FIG. 8 is a bottom view of the string trimmer head according to the invention.

The broken line showing of the lower handle illustrates the environment of the claimed design and forms no part thereof. The remaining broken lines in the drawings illustrate portions of the string trimmer head and form no part of the claimed design.

**1 Claim, 8 Drawing Sheets**



(56)

**References Cited**

U.S. PATENT DOCUMENTS

2014/0190017 A1\* 7/2014 Maynez ..... B25F 5/00  
30/276  
2014/0352160 A1\* 12/2014 Ifuku ..... A01D 34/90  
30/276  
2016/0143219 A1\* 5/2016 Yuan ..... B25F 5/008  
30/276  
2016/0330903 A1\* 11/2016 Miller ..... A01D 34/90  
2017/0231153 A1\* 8/2017 Hoffman ..... A01D 34/4163  
30/276  
2017/0295721 A1\* 10/2017 Carl ..... A01D 34/4165  
2017/0354090 A1\* 12/2017 Palermo ..... A01D 34/4163  
2018/0098493 A1\* 4/2018 Sergyeyenko ..... G16H 40/63

\* cited by examiner

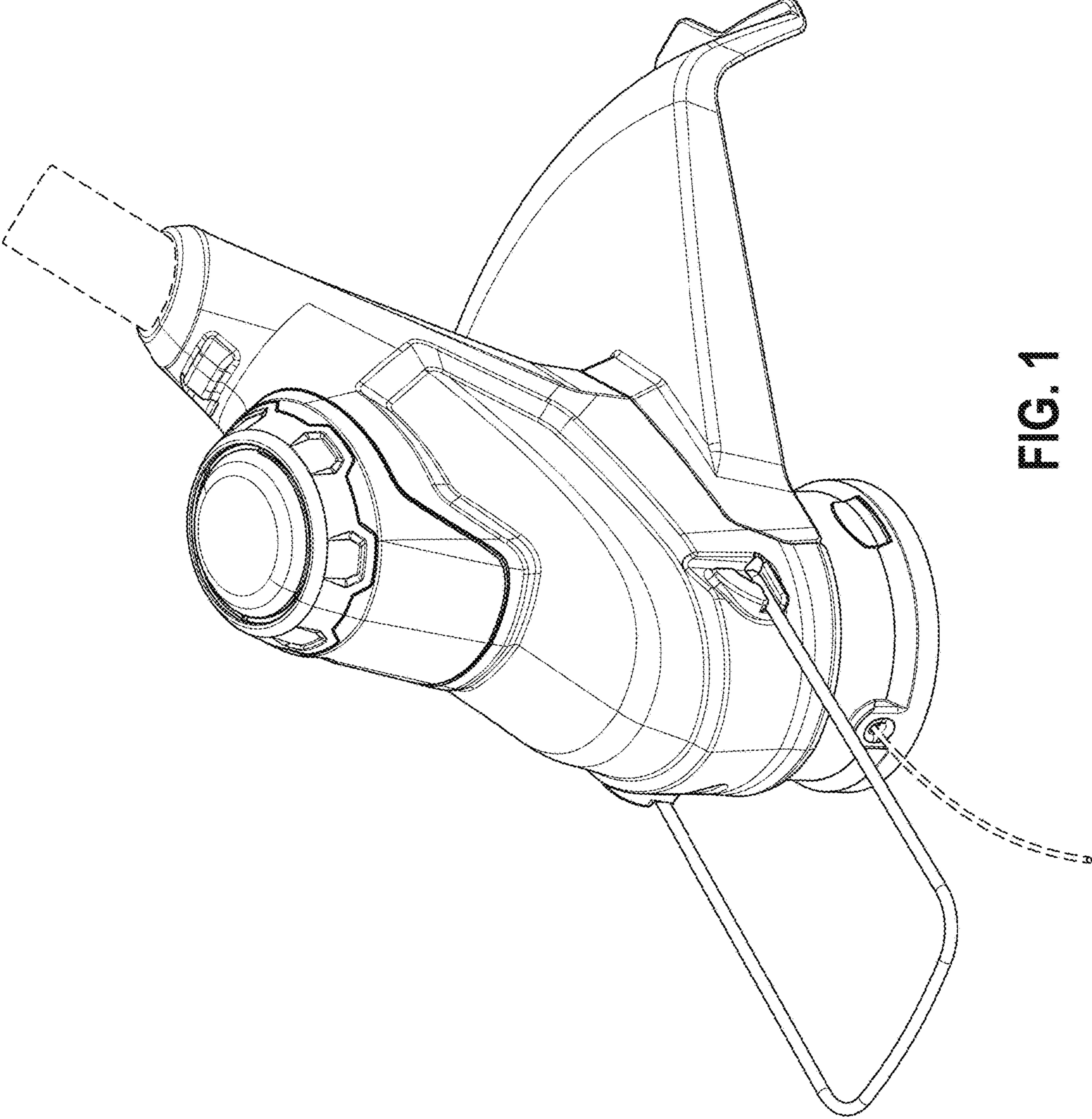


FIG. 1

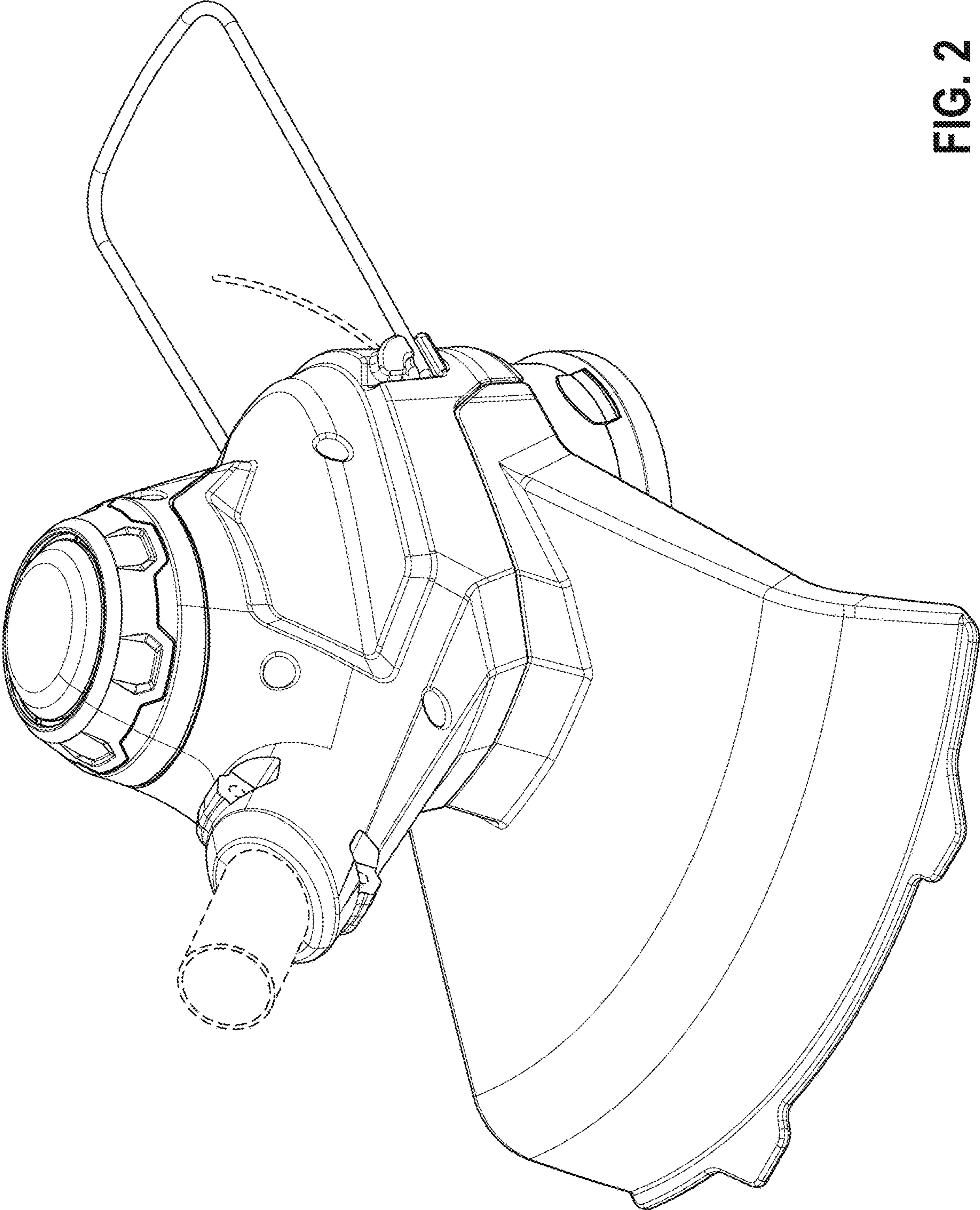


FIG. 2

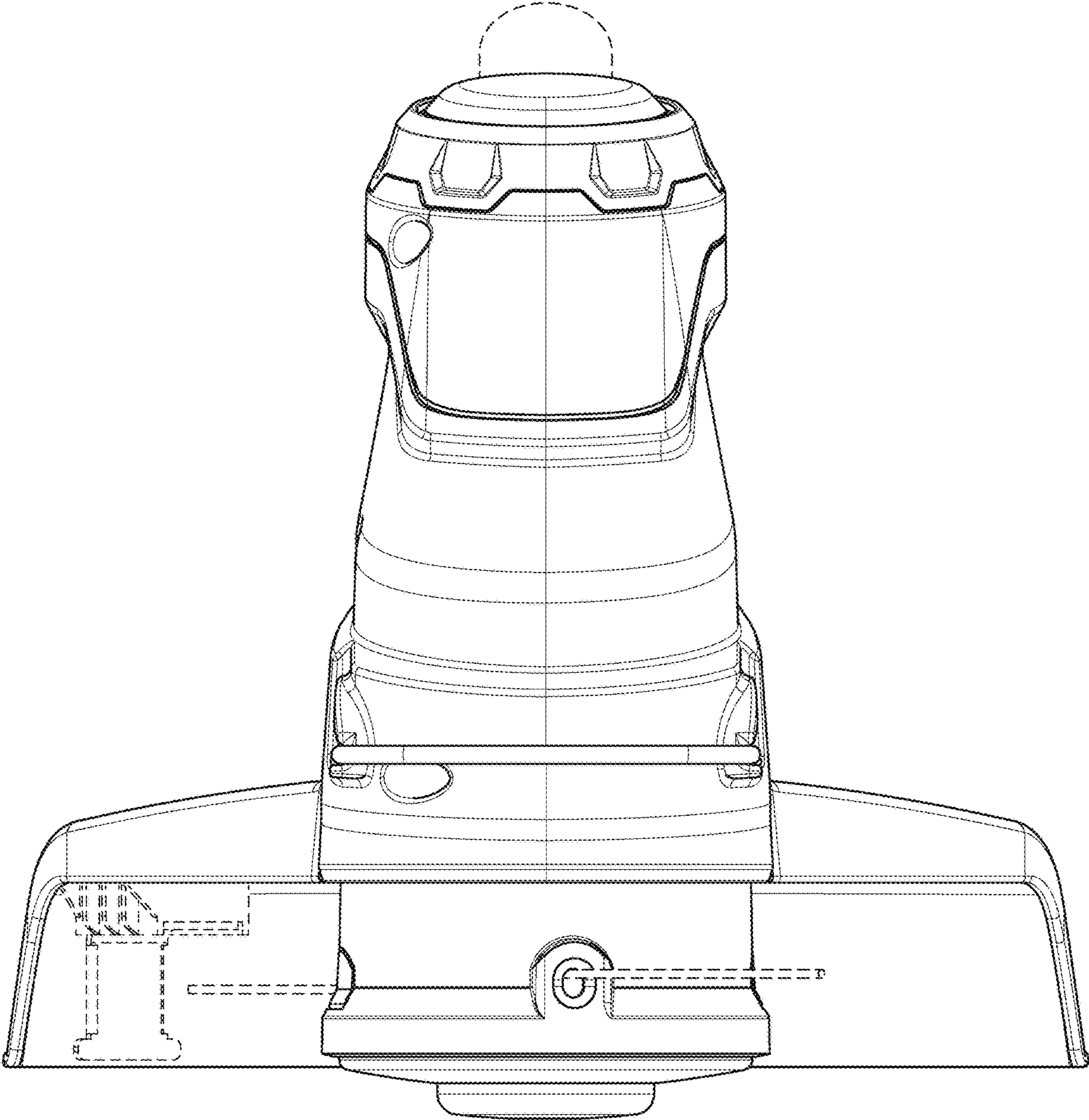


FIG. 3

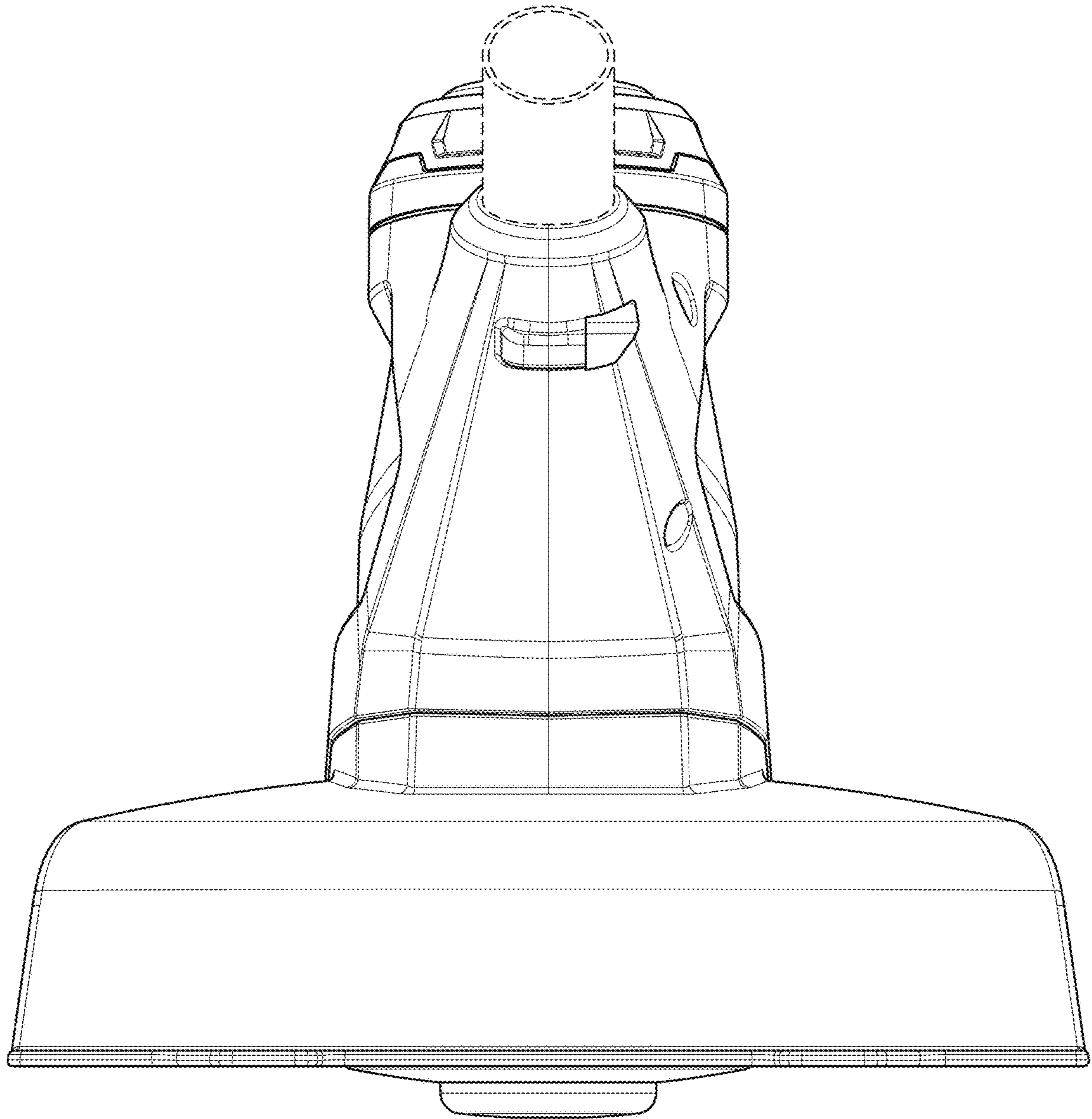
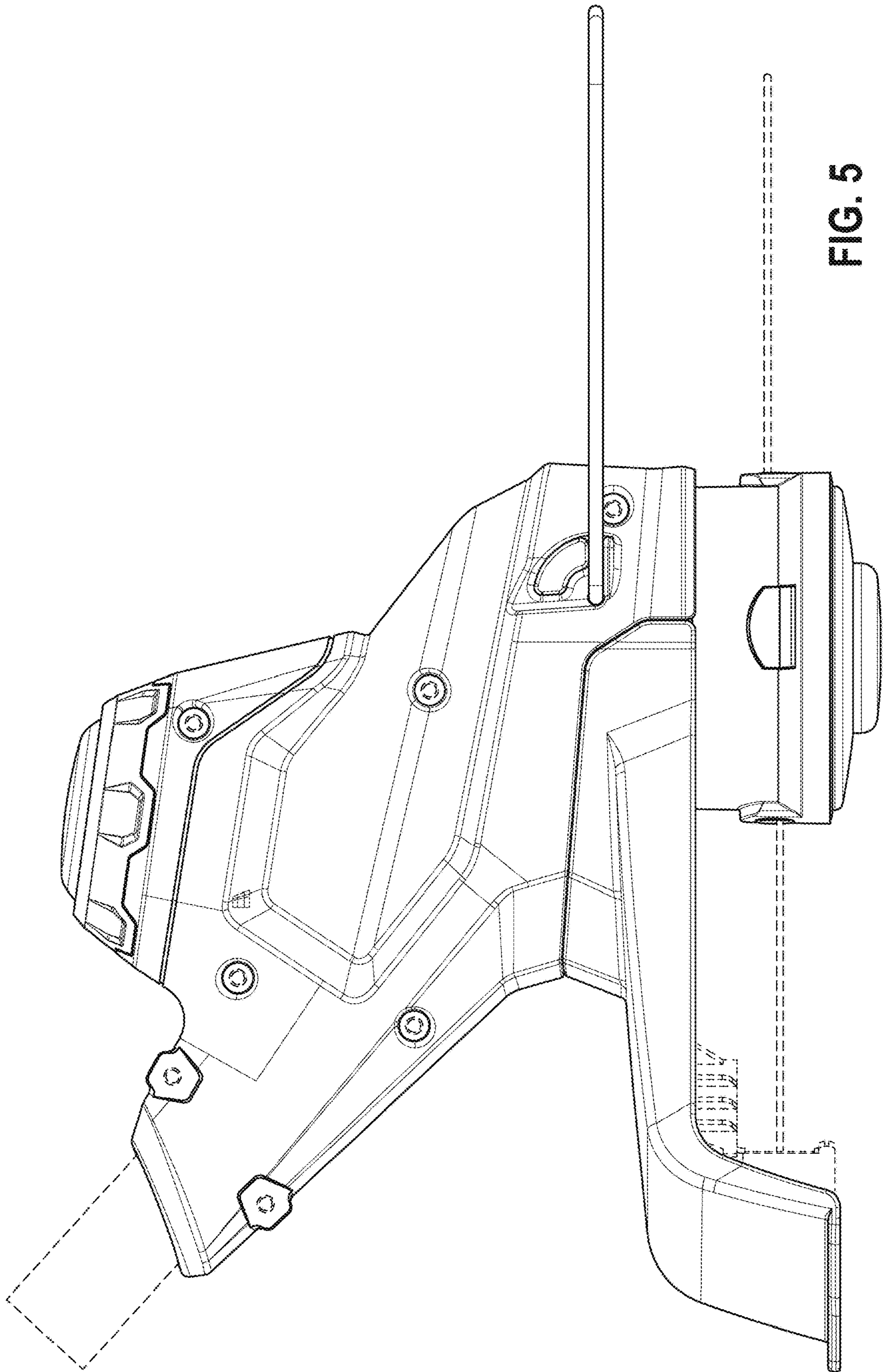
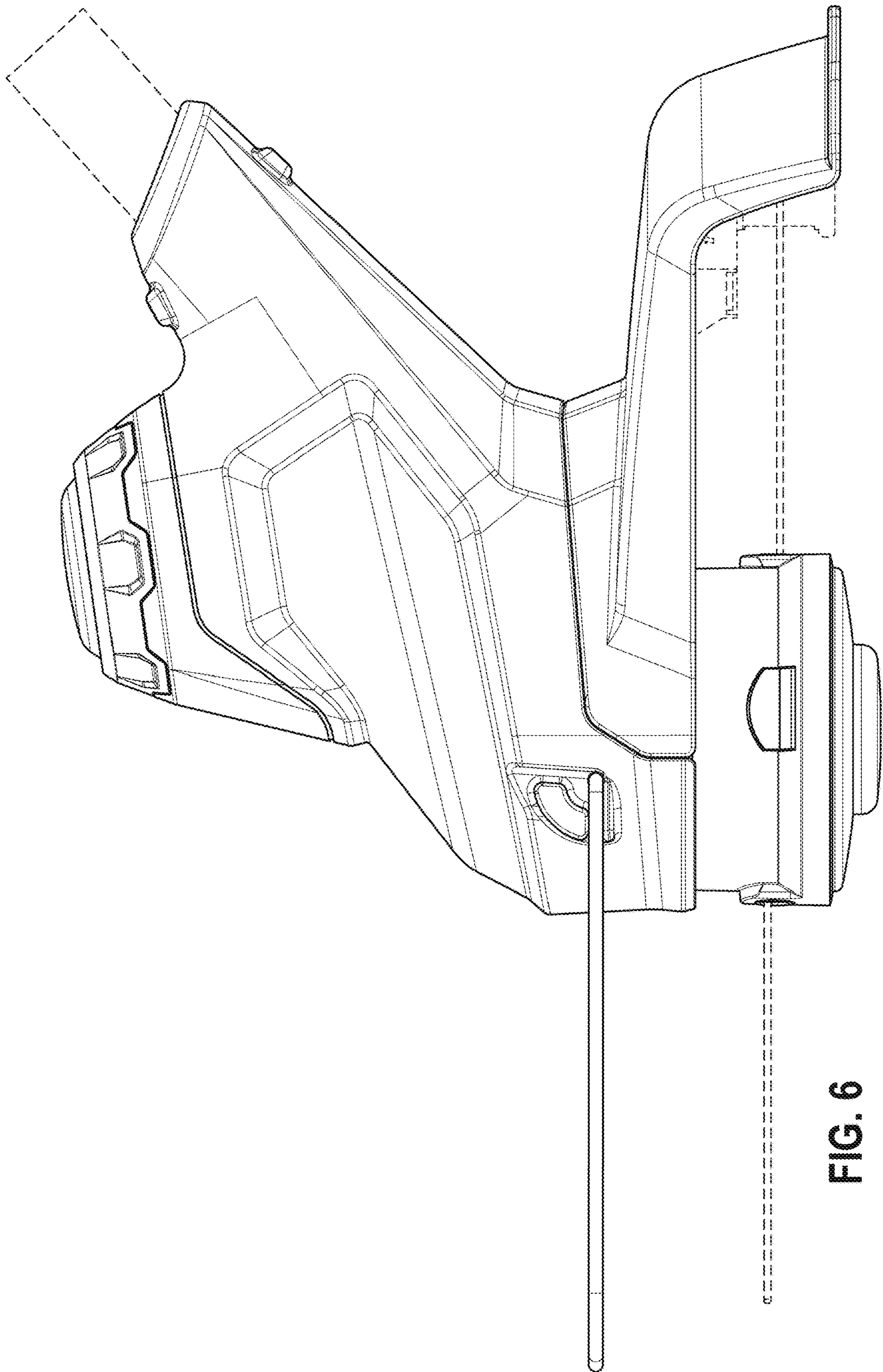


FIG. 4







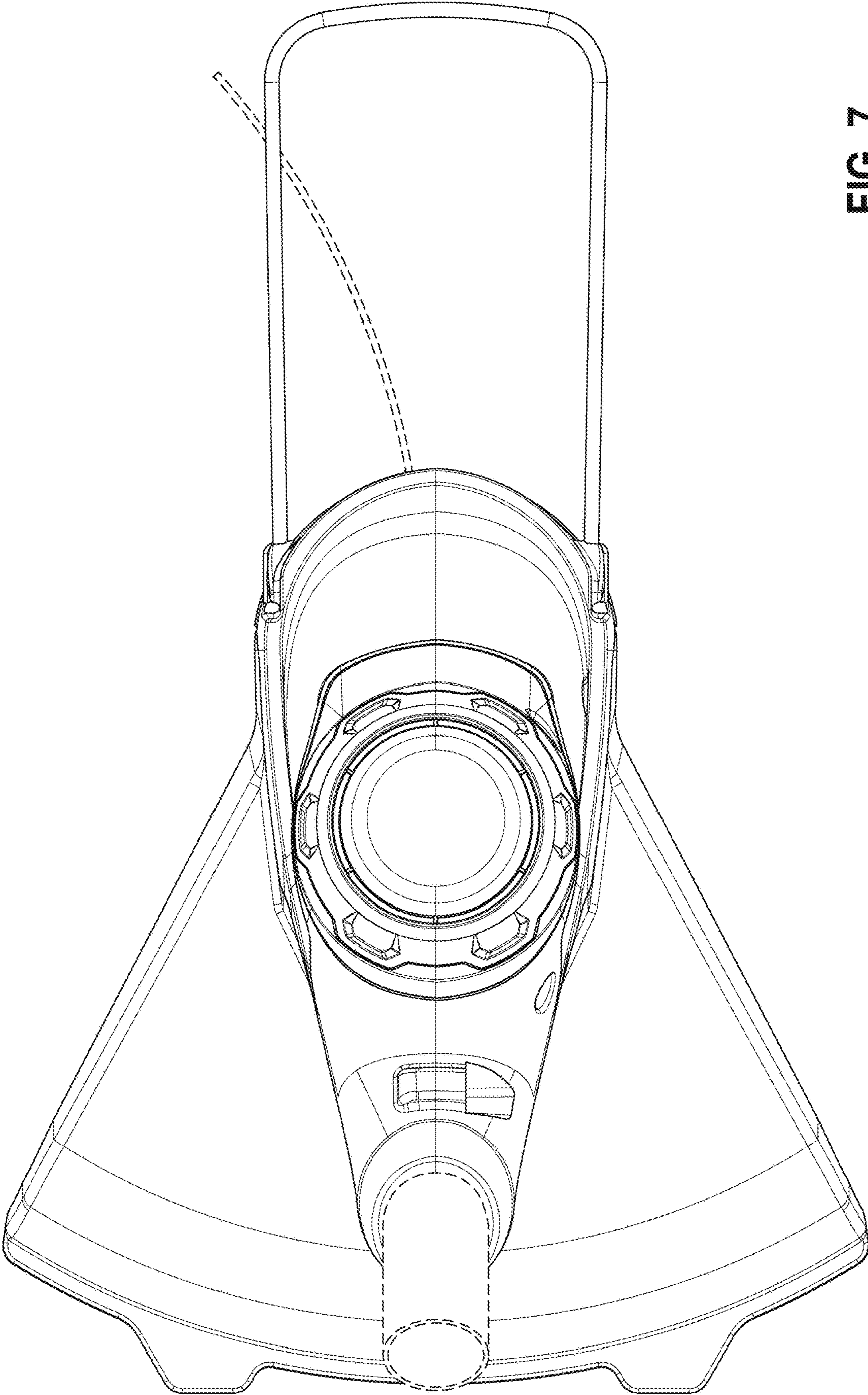


FIG. 7

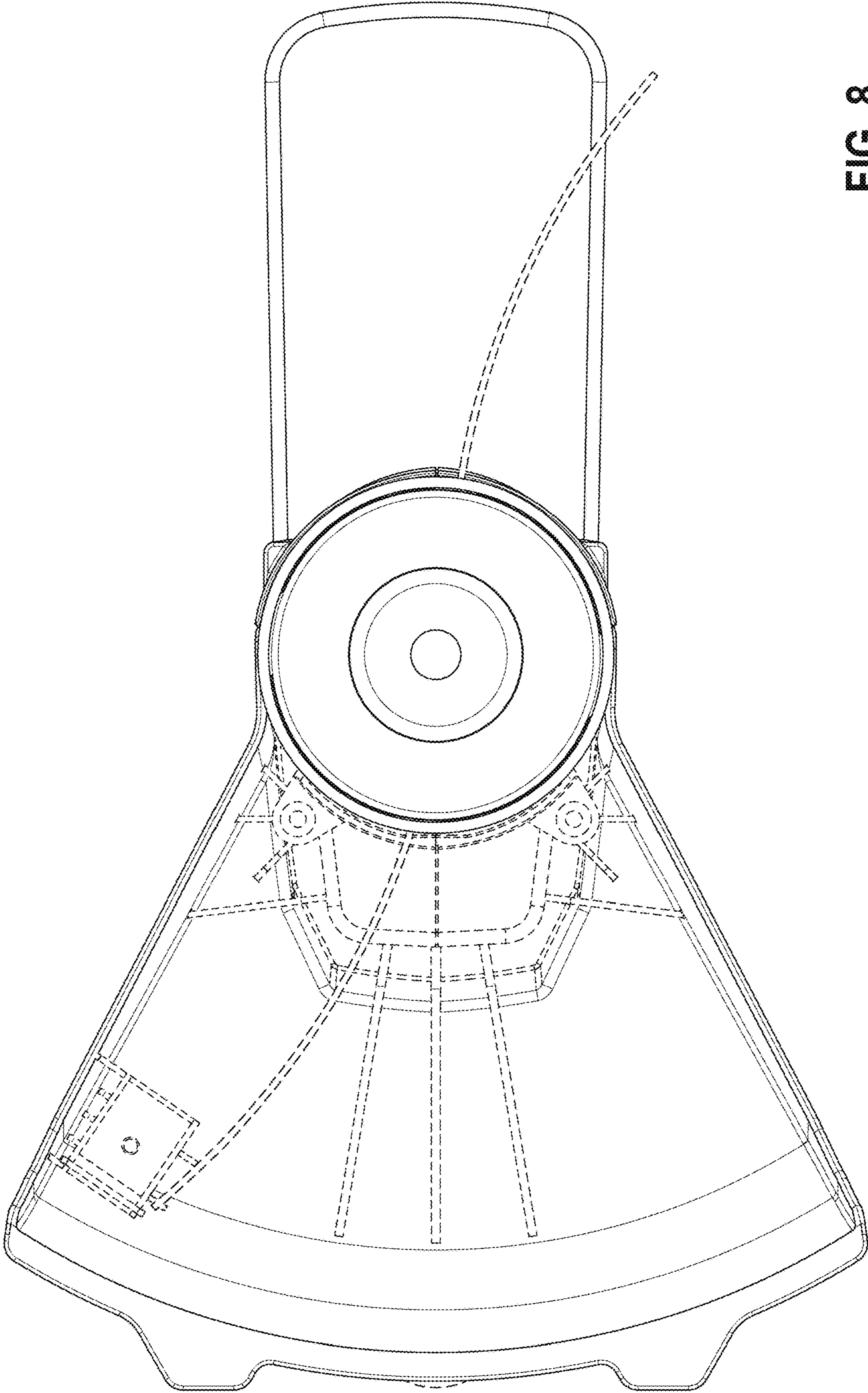


FIG. 8