



US00D874891S

(12) **United States Design Patent**
Mehra et al.

(10) **Patent No.:** **US D874,891 S**

(45) **Date of Patent:** **** Feb. 11, 2020**

(54) **GUARD SHIELD FOR A TRIMMER**

FOREIGN PATENT DOCUMENTS

(71) Applicant: **HUSQVARNA AB**, Huskvarna (SE)

EP 001870882-0016 A1 5/2011
EP 001870882-0010 A1 6/2011

(72) Inventors: **Rajinder Mehra**, Johanneshov (SE);
Nilas Pleje, Hägersten (SE)

(Continued)

(73) Assignee: **HUSQVARNA AB**, Huskvarna (SE)

Primary Examiner — Sandra S Snapp

Assistant Examiner — Ieisha N Price

(**) Term: **15 Years**

(74) *Attorney, Agent, or Firm* — Burr & Forman, LLP

(21) Appl. No.: **29/635,659**

(57)

CLAIM

The ornamental design for the guard shield for a trimmer, as shown and described.

(22) Filed: **Feb. 1, 2018**

DESCRIPTION

(30) **Foreign Application Priority Data**

Aug. 4, 2017 (EM) 004134021-0010

(51) **LOC (12) Cl.** **08-08**

(52) **U.S. Cl.**
USPC **D8/8**

(58) **Field of Classification Search**
USPC D8/7, 8, 9; D15/14, 17
CPC .. A01D 34/01; A01D 34/416; A01D 34/4161;
A01D 34/84; A01D 34/90; A01D 34/006;
A01D 34/81; A01D 34/824; A01D
34/6806; A01D 34/4167; A01G 3/067;
A01G 3/06; A01G 3/062; A01G 3/088

See application file for complete search history.

FIG. 1 is a perspective view of a guard shield for a trimmer in accordance with the embodiment of the present invention; FIG. 2 is a front view of the guard shield for a trimmer of FIG. 1; FIG. 3 is a rear view of the guard shield for a trimmer of FIG. 1; FIG. 4 is a left side view of the guard shield for a trimmer of FIG. 1; FIG. 5 is a right side view of the guard shield for a trimmer of FIG. 1; FIG. 6 is a top side view of the guard shield for a trimmer of FIG. 1; FIG. 7 is a bottom view of the guard shield for a trimmer of FIG. 1; FIG. 8 is an enlarged front view of the guard shield for a trimmer taken from indication circle 8 in FIG. 2; FIG. 9 is an enlarged rear view of the guard shield for a trimmer taken from indication circle 9 in FIG. 3; and, FIG. 10 is an enlarged perspective view of the guard shield for a trimmer taken from indication circle 10 in FIG. 1. The broken line showing of the trimmer in FIGS. 1-10 illustrate the environment of the claimed design and form no part thereof. The remaining broken lines in the drawings illustrate portions of the guard shield for a trimmer and form no part of the claimed design.

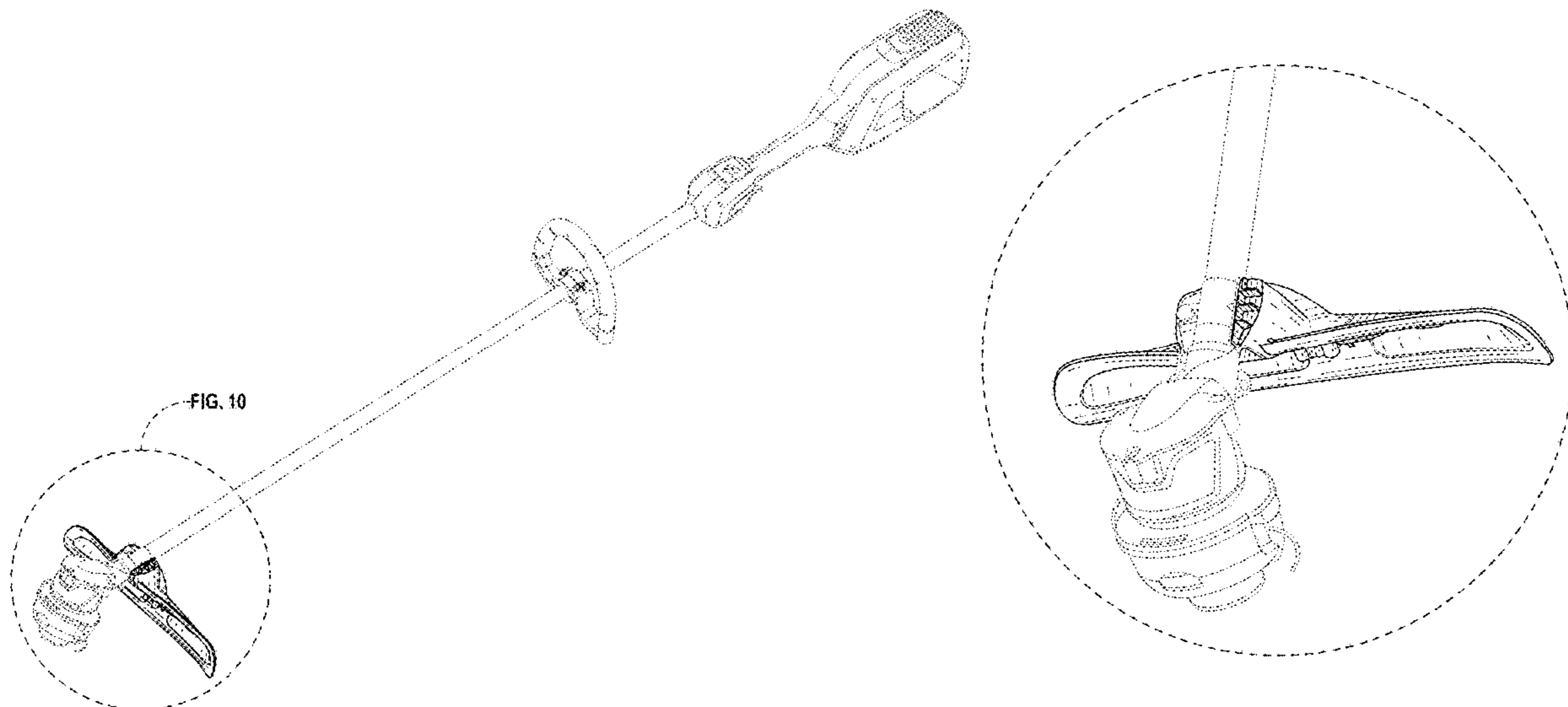
(56) **References Cited**

U.S. PATENT DOCUMENTS

1,622,998 A 3/1927 Foster
D182,385 S 8/1958 Schumacher
D257,406 S 10/1980 Ouellette
5,075,972 A 12/1991 Huang
D335,674 S 5/1993 Hoshino
5,501,068 A 3/1996 Martz

(Continued)

1 Claim, 7 Drawing Sheets



(56)

References Cited

U.S. PATENT DOCUMENTS

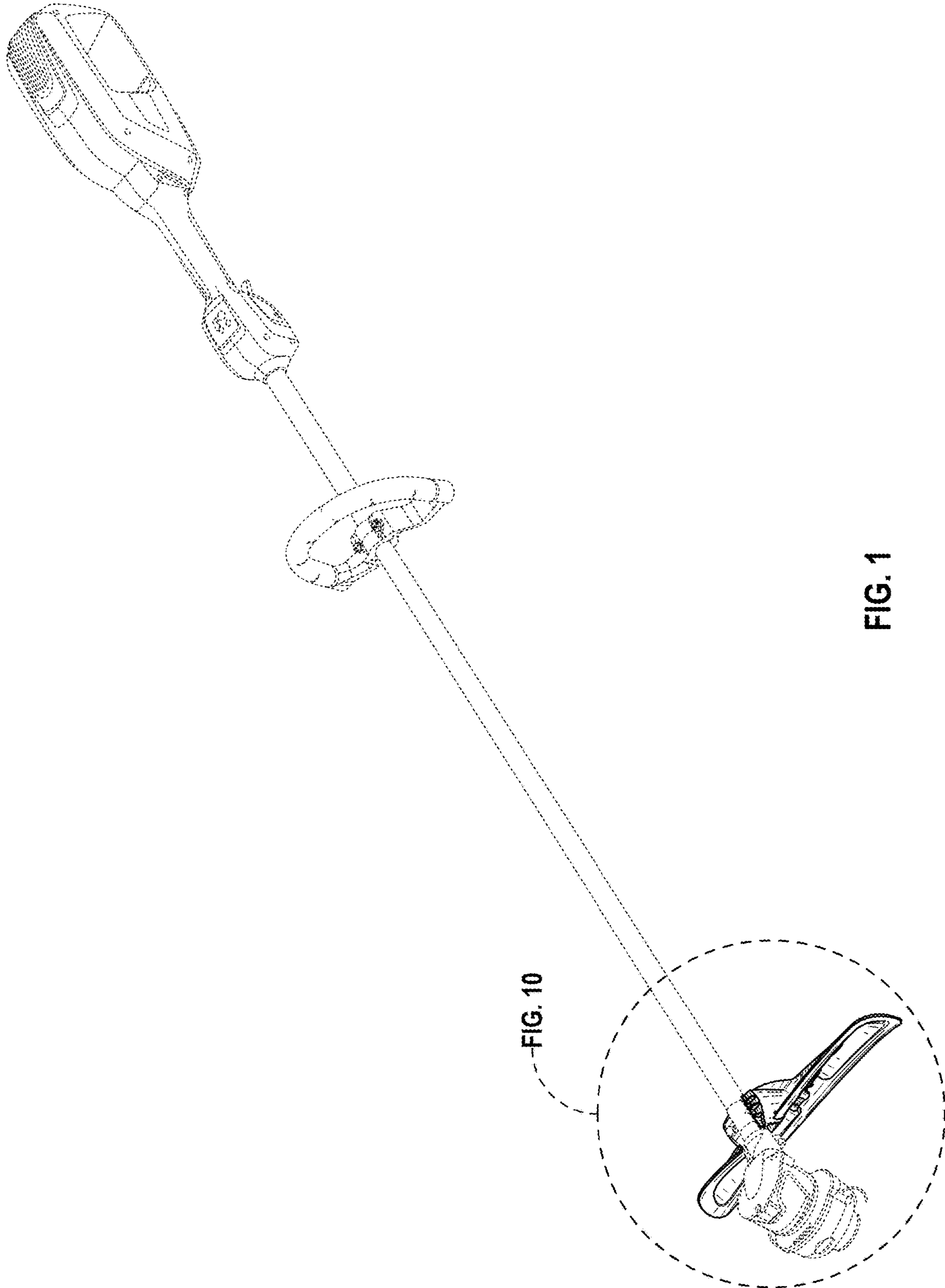
D382,779 S * 8/1997 Meisner D8/8
 D382,780 S * 8/1997 Meisner D8/8
 D397,590 S 9/1998 Meloni et al.
 D459,172 S 6/2002 Bissell
 6,415,591 B1 7/2002 Tylka, Sr.
 D462,882 S 9/2002 Evans
 D463,228 S 9/2002 Cooper
 D463,229 S 9/2002 Gabriel
 6,487,840 B1 12/2002 Turner et al.
 D468,600 S 1/2003 Evans
 D505,602 S 5/2005 Houghton
 D522,818 S 6/2006 Andriolo
 D547,623 S 7/2007 Mooney et al.
 D580,238 S 11/2008 Murray
 D580,239 S 11/2008 Murray
 D580,240 S 11/2008 Murray
 D582,225 S 12/2008 Bochmann et al.
 D623,487 S 9/2010 Tinius
 D623,909 S 9/2010 Tate et al.
 D624,371 S 9/2010 Tinius
 D650,643 S 12/2011 Aoki et al.
 D652,431 S 1/2012 Nääslund
 D657,211 S 4/2012 Kosugi et al.
 D661,557 S 6/2012 Sweeney
 D668,515 S 10/2012 Landberg
 D668,516 S 10/2012 Landberg
 D668,517 S * 10/2012 Landberg D8/8
 D668,518 S 10/2012 Landberg
 D672,624 S 12/2012 Nääs
 D675,072 S 1/2013 Stratford
 D709,743 S * 7/2014 Tinius D8/8
 D711,203 S 8/2014 Tinius
 D711,700 S 8/2014 Mehra et al.
 D712,216 S * 9/2014 Tajik D8/8
 D720,193 S 12/2014 Luedtke
 D721,551 S 1/2015 Carl et al.
 D761,067 S 7/2016 Mueller et al.
 9,460,869 B2 10/2016 Valfridsson et al.
 D776,995 S 1/2017 Schoch
 D776,996 S 1/2017 Schoch
 D786,030 S 5/2017 Busschaert et al.
 D787,285 S 5/2017 Schoch
 D813,621 S 3/2018 Timson
 D830,418 S 10/2018 Naslund et al.
 10,105,832 B2 10/2018 Martinsson et al.
 10,117,380 B1 11/2018 Kaukler et al.
 D854,387 S 7/2019 Dretzka et al.

2005/0000095 A1* 1/2005 Warashina A01D 34/90
 30/276
 2006/0156552 A1* 7/2006 Schilling A01D 34/90
 30/276
 2008/0189958 A1* 8/2008 Hurley A01D 34/416
 30/286
 2009/0126964 A1 5/2009 Schroeder et al.
 2009/0271992 A1* 11/2009 Holter A01D 34/4161
 30/276
 2010/0319203 A1* 12/2010 Ito A01D 34/90
 30/286
 2011/0131817 A1* 6/2011 Ito A01D 34/90
 30/276
 2012/0102755 A1* 5/2012 Racov A01D 34/4167
 30/142
 2013/0017706 A1* 1/2013 Million A01D 34/90
 439/350
 2013/0075122 A1* 3/2013 Yamada A01D 34/90
 173/213
 2014/0013542 A1* 1/2014 Wang A01D 34/824
 16/429
 2014/0182143 A1* 7/2014 Morita A01D 34/90
 30/276
 2014/0208599 A1* 7/2014 Nagahama A01D 34/6806
 30/277.4
 2014/0246214 A1 9/2014 Racov et al.
 2014/0259692 A1* 9/2014 Racov A01D 34/90
 30/277.4
 2016/0088792 A1* 3/2016 Yamaoka A01D 34/81
 30/276
 2016/0183452 A1* 6/2016 Kullberg A01D 34/4161
 30/276
 2016/0330903 A1* 11/2016 Miller A01D 34/90
 2016/0336557 A1 11/2016 Miller et al.
 2017/0231153 A1* 8/2017 Hoffman A01D 34/416
 30/276
 2018/0092297 A1* 4/2018 Sunazuka A01D 34/006
 2018/0092298 A1* 4/2018 Takahashi A01G 3/088
 2018/0277804 A1 9/2018 Lee et al.
 2018/0368314 A1* 12/2018 Parsons A01D 34/416

FOREIGN PATENT DOCUMENTS

JP 1386580 S 4/2010
 JP 1442499 S 4/2012
 JP 1442500 S 4/2012
 JP 1442816 S 4/2012
 JP 1482456 S 10/2013
 JP 1621116 S 12/2018

* cited by examiner



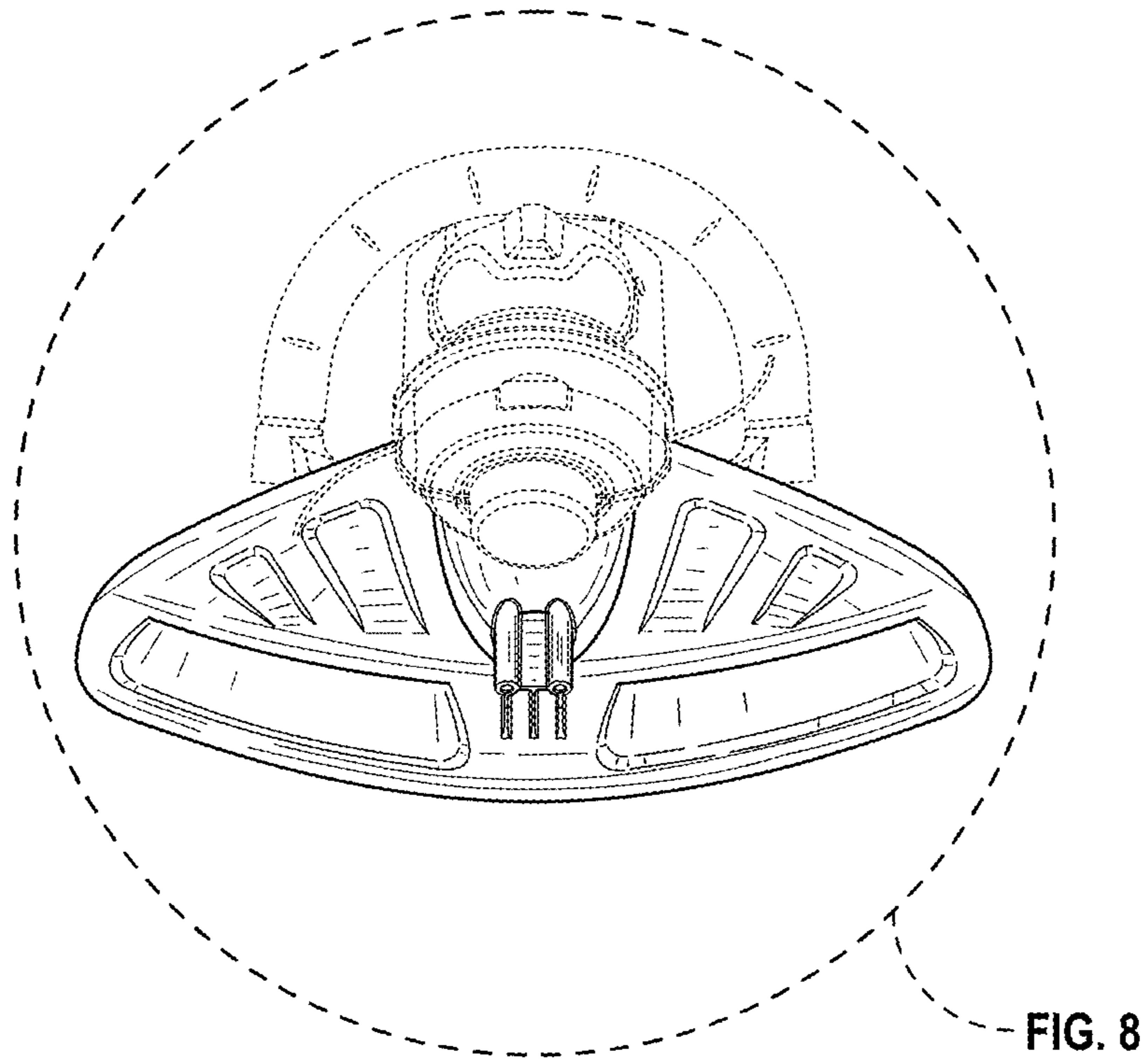


FIG. 2

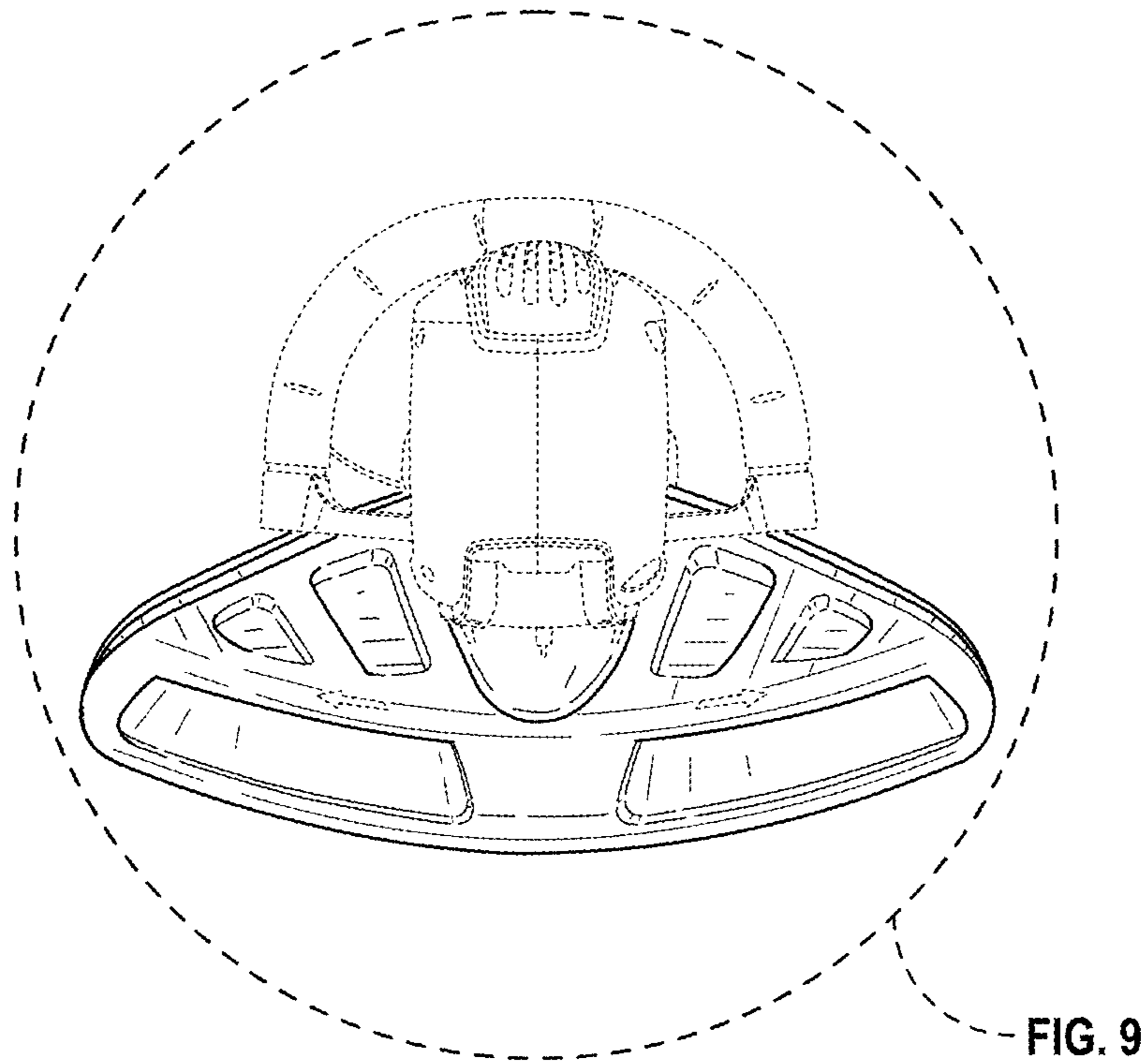


FIG. 3

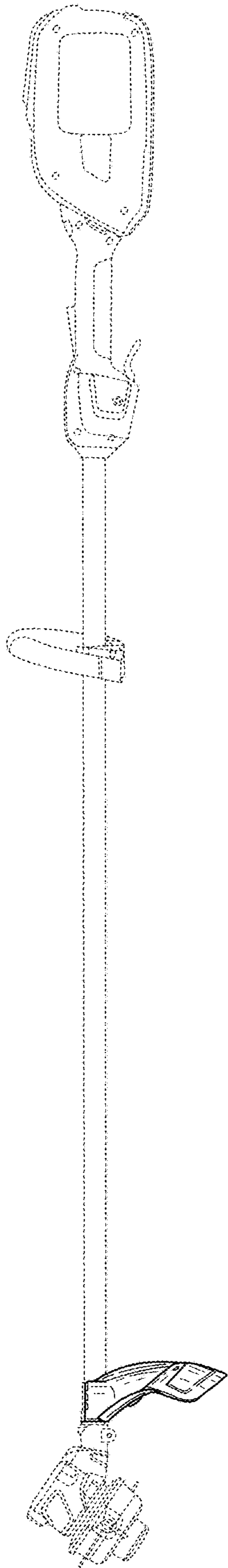


FIG. 4

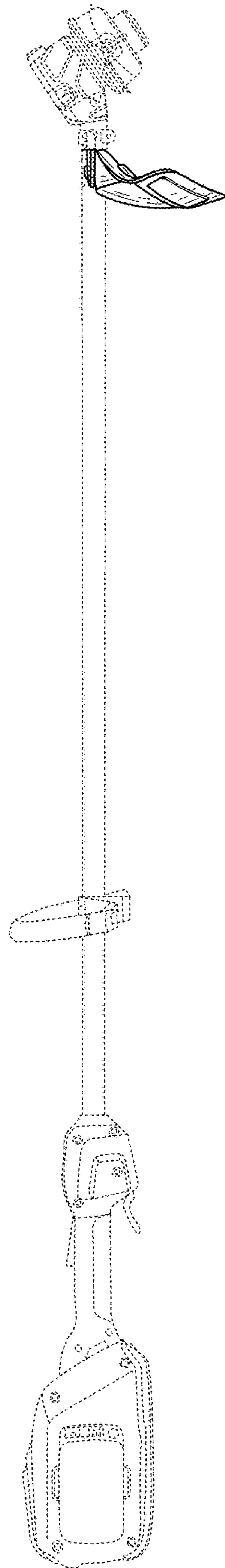


FIG. 5

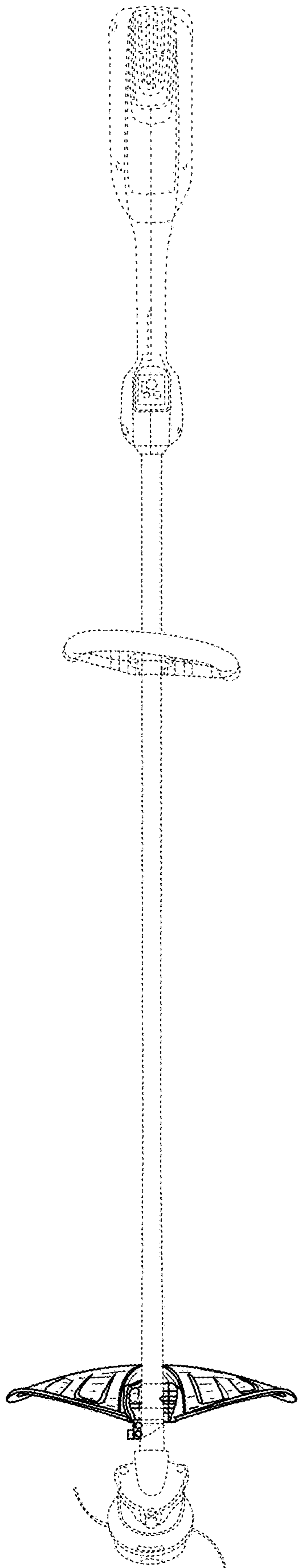


FIG. 6

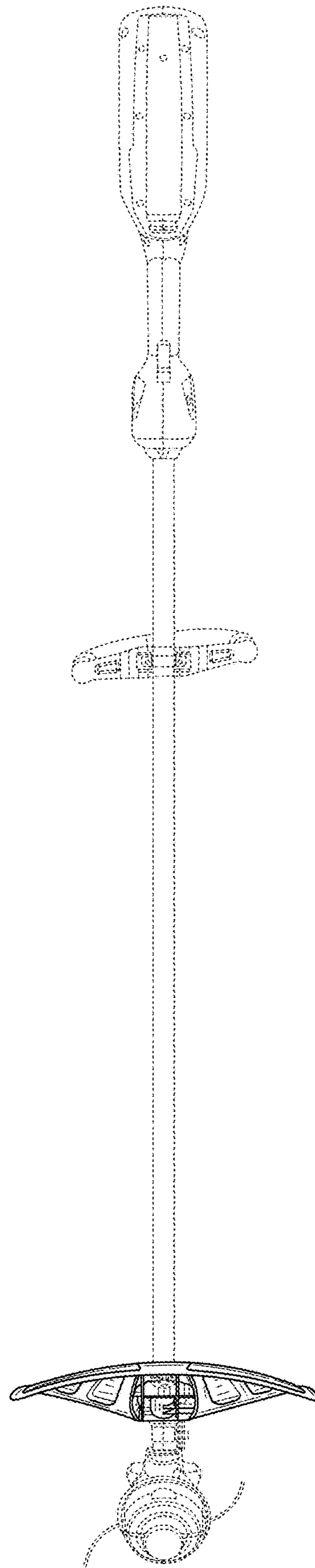


FIG. 7

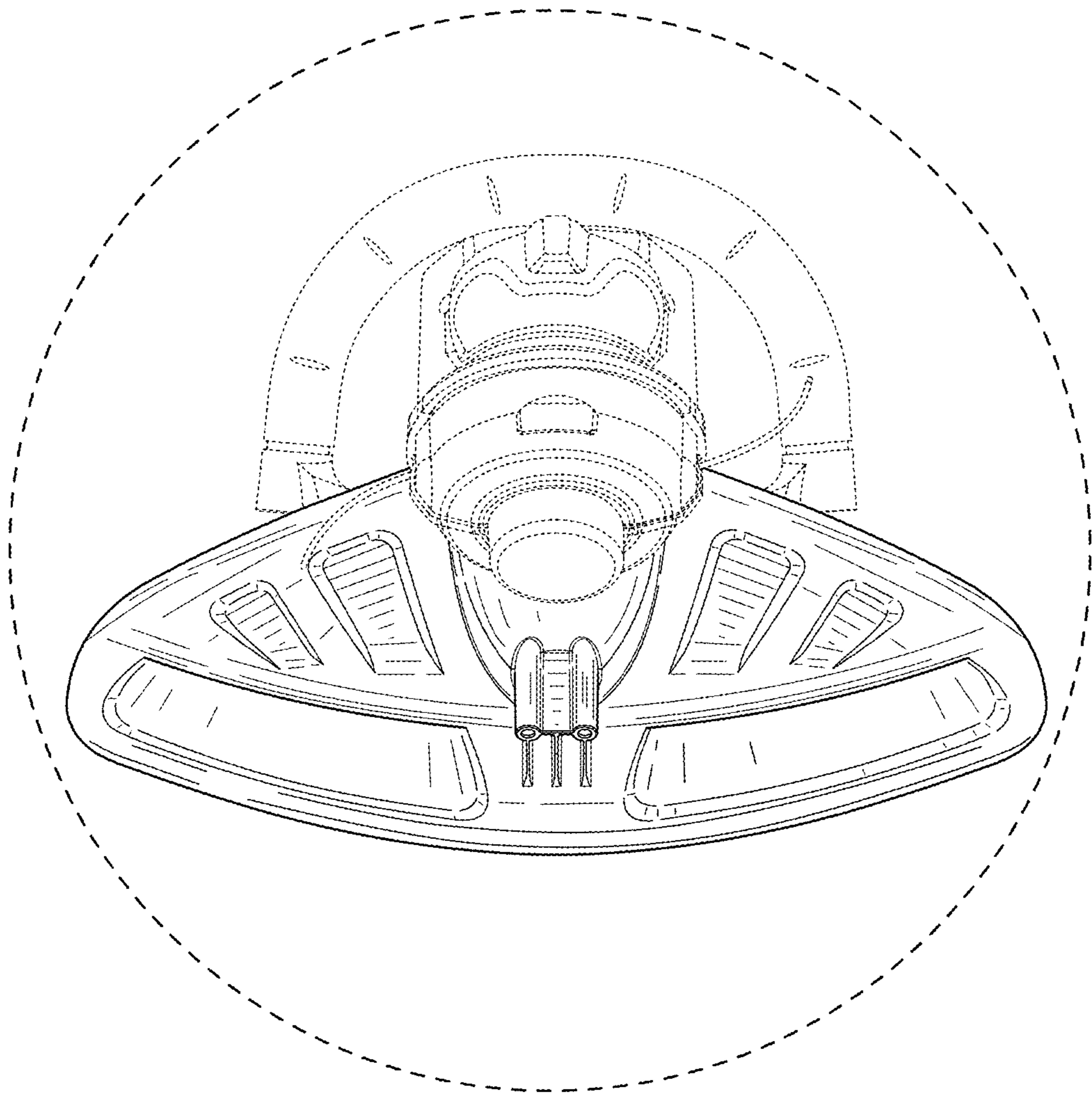


FIG. 8

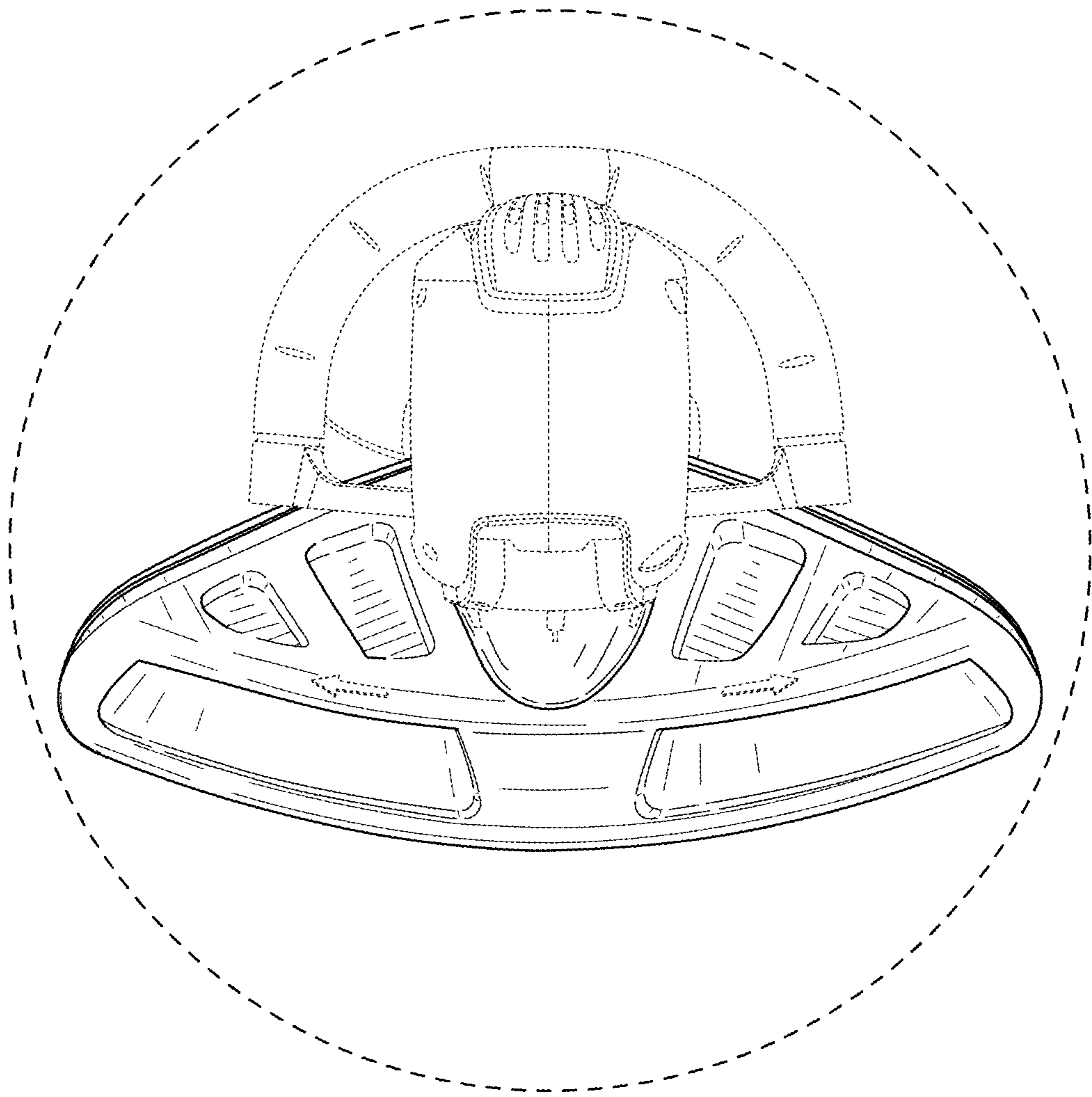


FIG. 9

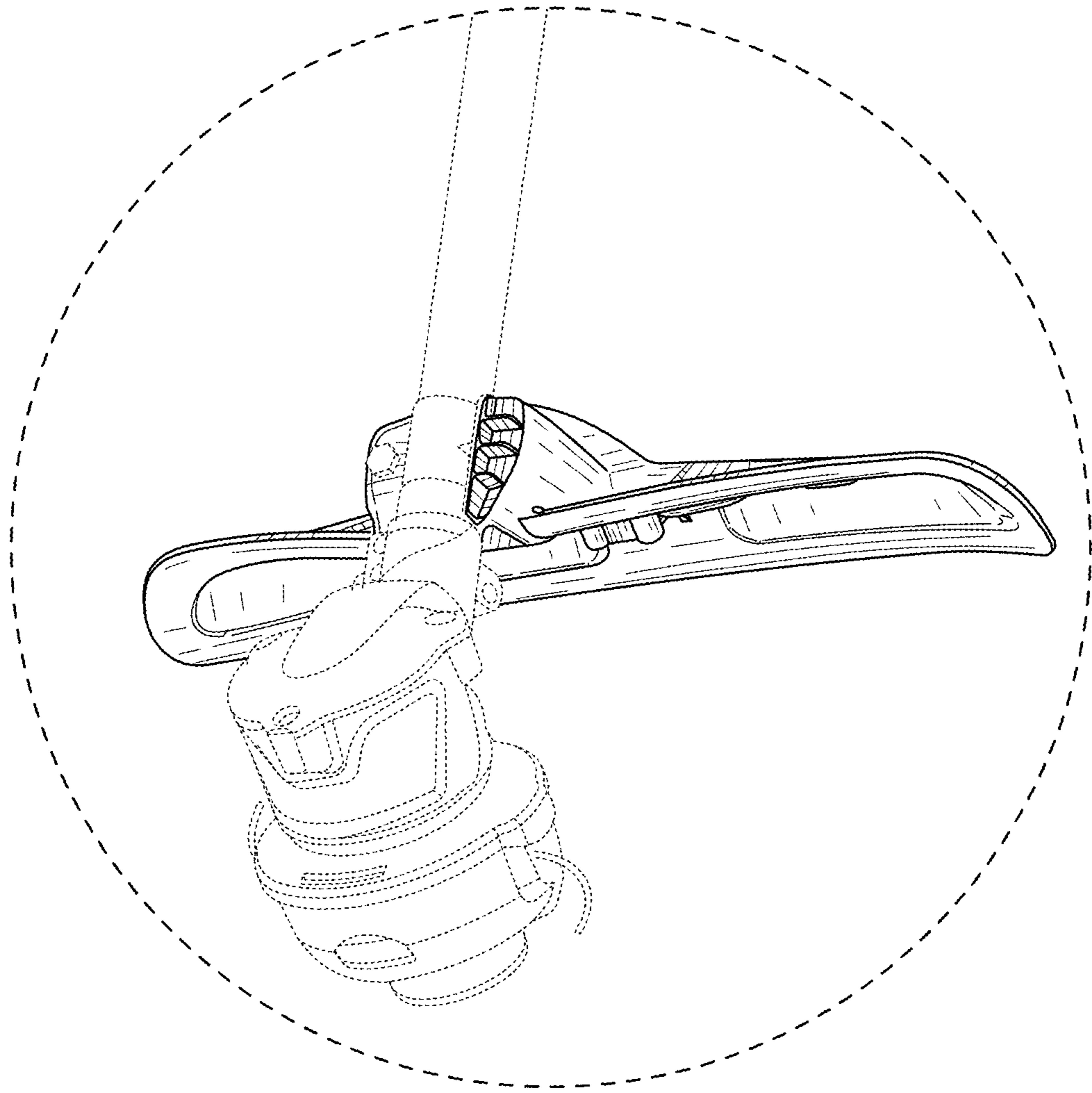


FIG. 10