



US00D874889S

(12) **United States Design Patent**  
**Zemel et al.**

(10) **Patent No.:** **US D874,889 S**

(45) **Date of Patent:** **\*\* Feb. 11, 2020**

- (54) **UTENSIL**
- (71) Applicant: **Mr. Bar-B-Q Products LLC**, Melville, NY (US)
- (72) Inventors: **Marc Zemel**, Melville, NY (US);  
**Joanne Rudis**, Melville, NY (US)
- (73) Assignee: **MR. BAR-B-Q PRODUCTS LLC**, Melville, NY (US)
- (\*\*) Term: **15 Years**
- (21) Appl. No.: **29/664,270**
- (22) Filed: **Sep. 24, 2018**
- (51) **LOC (12) Cl.** ..... **07-06**
- (52) **U.S. Cl.**  
USPC ..... **D7/686**
- (58) **Field of Classification Search**  
USPC ..... D7/680-696, 393, 395, 401.2  
CPC ..... A47G 21/00; A47G 21/02; A47G 21/06;  
A47G 21/10; A47J 43/283; B25J 7/00;  
B25B 9/02; C03B 35/20; C03B 25/20  
See application file for complete search history.

- D502,367 S 3/2005 Claypool et al.
- 7,086,676 B2 \* 8/2006 Sumter ..... A47G 21/10  
294/16
- D528,857 S 9/2006 Zemel
- D531,463 S 11/2006 Jarvis et al.
- D535,145 S 1/2007 Zemel
- D535,853 S 1/2007 Zemel
- D545,122 S 6/2007 Zemel
- D546,620 S 7/2007 Zemel
- D564,290 S 3/2008 Zemel
- D564,291 S 3/2008 Zemel
- D569,174 S 5/2008 Zemel
- D572,079 S 7/2008 Zemel
- D572,080 S 7/2008 Zemel
- D588,867 S 3/2009 Zemel
- D601,849 S 10/2009 Zemel
- D628,029 S \* 11/2010 Rothman ..... D7/686
- D657,619 S 4/2012 Zemel
- D658,432 S 5/2012 Zemel
- D658,434 S 5/2012 Zemel
- D658,936 S 5/2012 Zemel

(Continued)

*Primary Examiner* — Terry A Wallace

(74) *Attorney, Agent, or Firm* — Carter, Deluca & Farrell LLP

(57) **CLAIM**

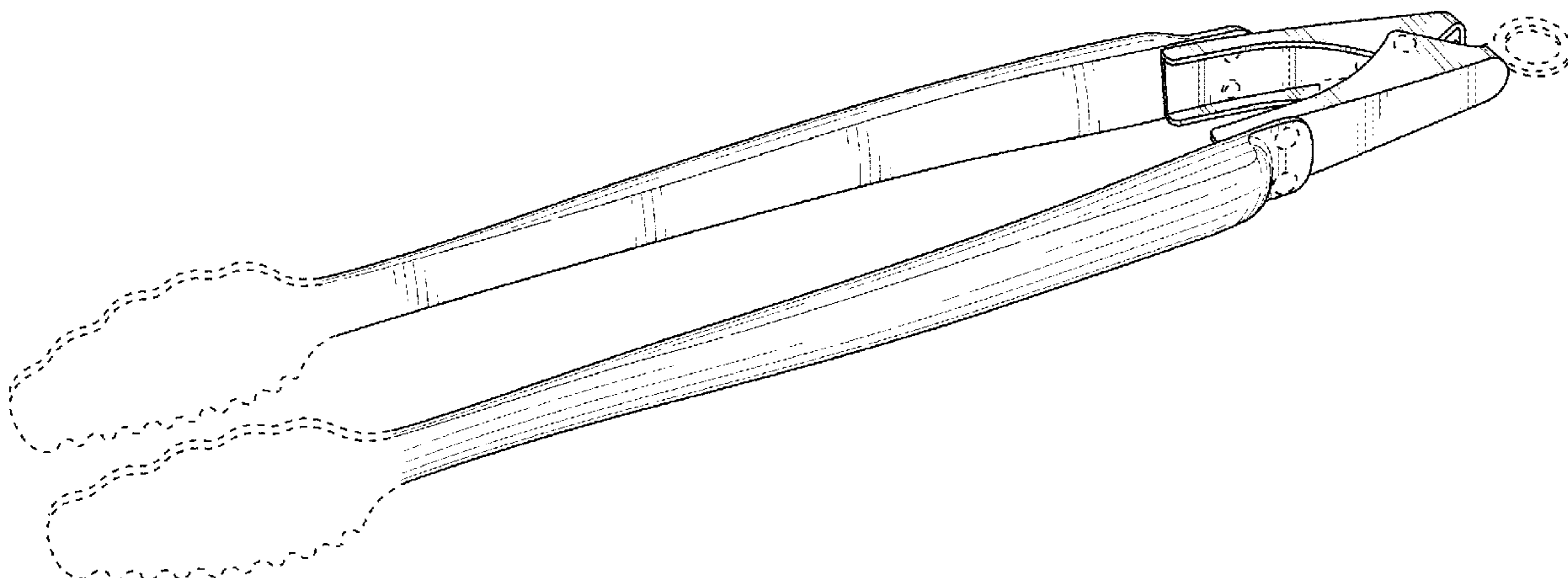
The ornamental design for a utensil, as shown and described.

**DESCRIPTION**

FIG. 1 is a perspective view of a utensil in accordance with the present design;  
 FIG. 2 is a right side elevational view thereof;  
 FIG. 3 is a left side elevational view thereof;  
 FIG. 4 is a front elevational view thereof;  
 FIG. 5 is a rear elevational view thereof;  
 FIG. 6 is a top plan view thereof; and,  
 FIG. 7 is a bottom plan view thereof.  
 The broken lines shown in the drawings illustrate portions of the utensil that form no part of the claimed design.

**1 Claim, 4 Drawing Sheets**

- (56) **References Cited**  
U.S. PATENT DOCUMENTS
- D254,767 S 4/1980 Christen, Jr.
- D392,849 S 3/1998 Zeller
- D414,653 S 10/1999 Kaposi et al.
- D444,041 S 6/2001 Thuma
- D447,430 S 9/2001 Kehoe
- D448,609 S 10/2001 Hay et al.
- D457,789 S 5/2002 Rowe et al.
- D461,379 S 8/2002 Wang
- D475,585 S 6/2003 Chen
- 6,584,692 B1 7/2003 Stills et al.
- D481,915 S 11/2003 Mezger-Boehringer
- D494,006 S 8/2004 Zemel



(56)

**References Cited**

U.S. PATENT DOCUMENTS

D664,816 S	8/2012	Difante
D667,707 S	9/2012	Zemel
D717,106 S	11/2014	Zemel et al.
D773,240 S	12/2016	Zemel et al.
D836,390 S	12/2018	Zemel

\* cited by examiner

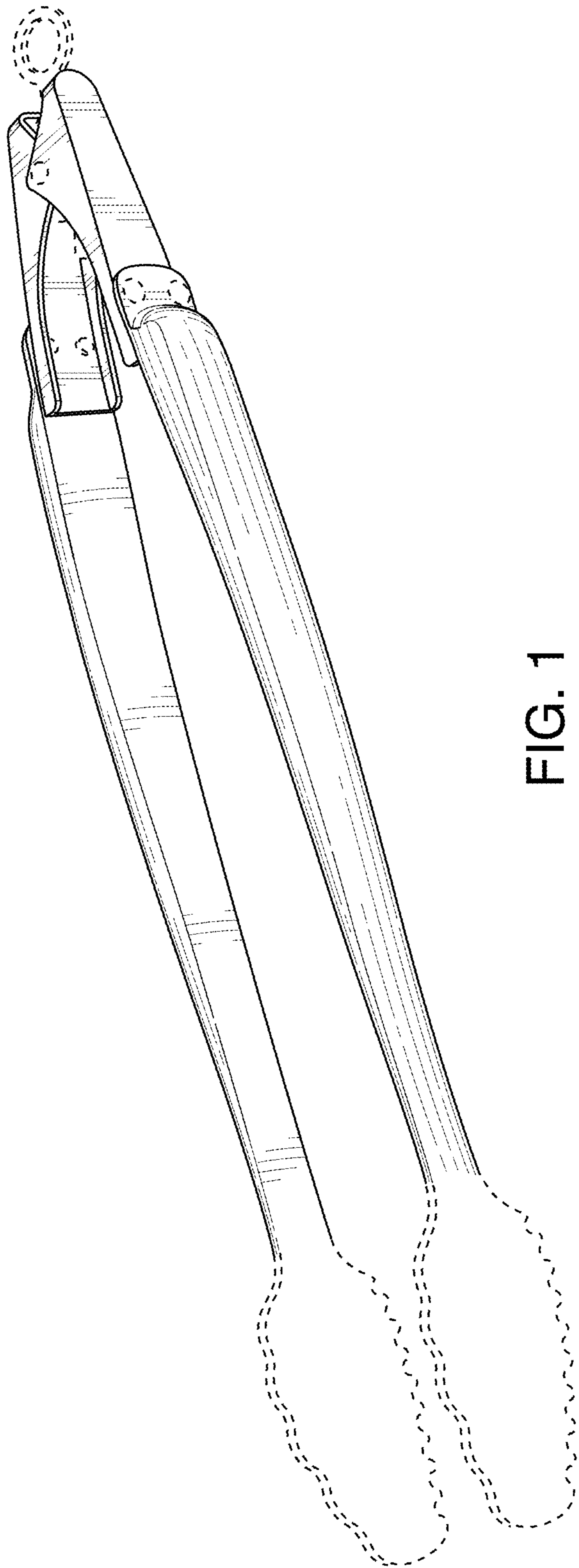


FIG. 1

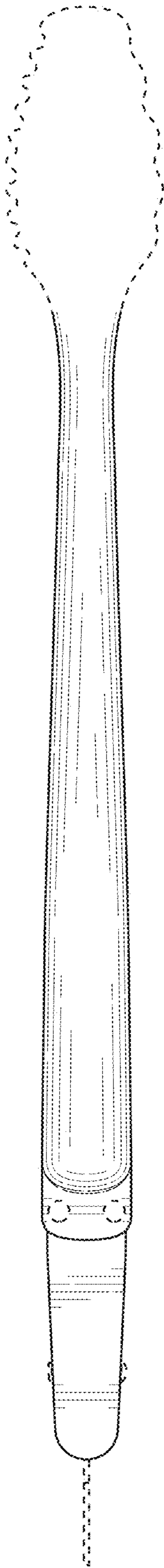


FIG. 2

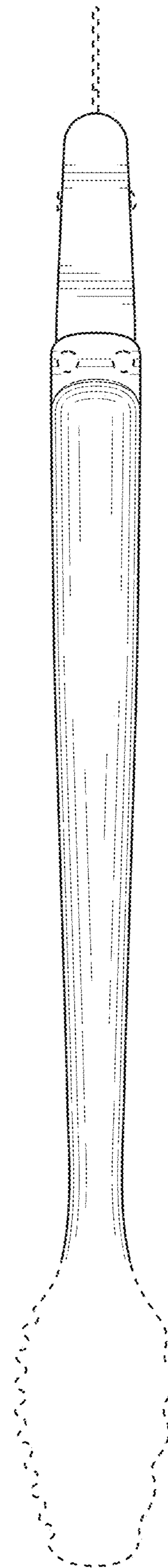


FIG. 3

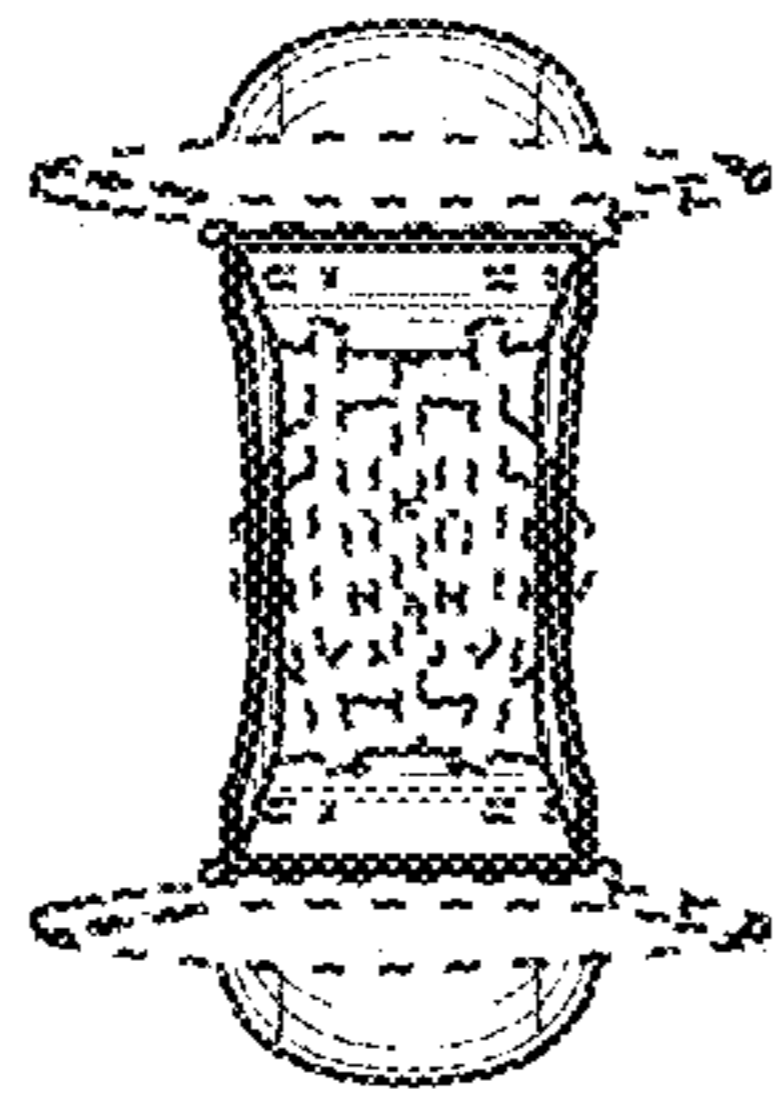


FIG. 4

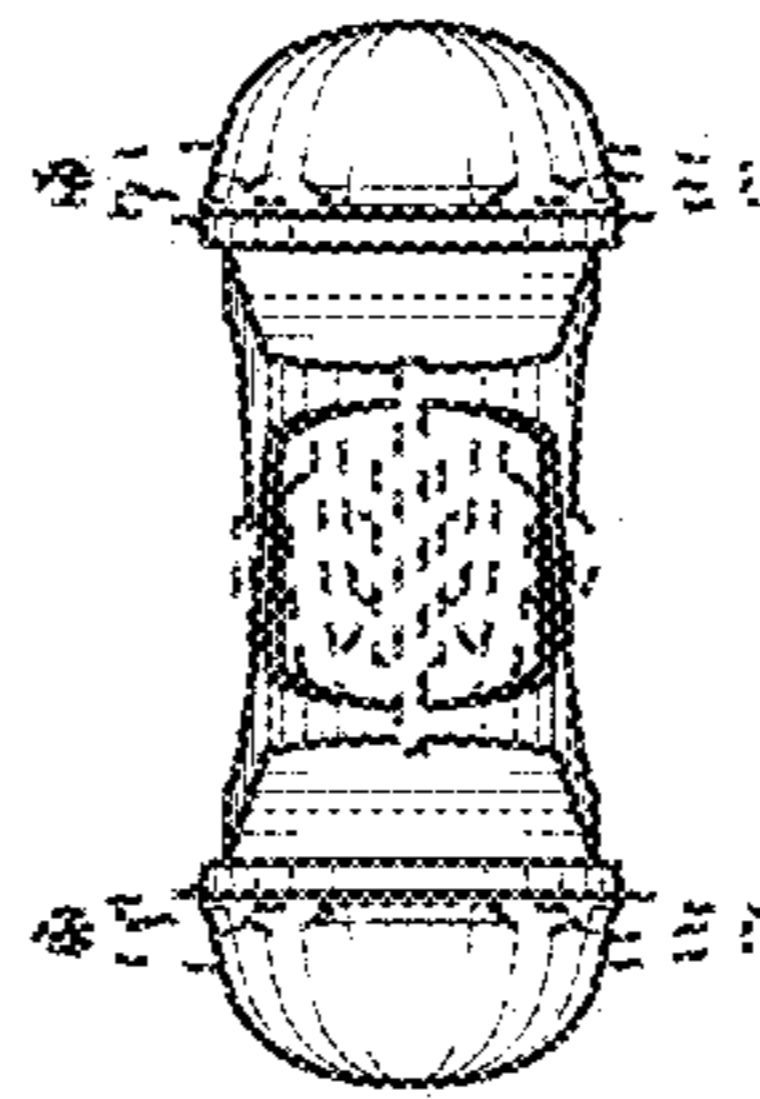


FIG. 5

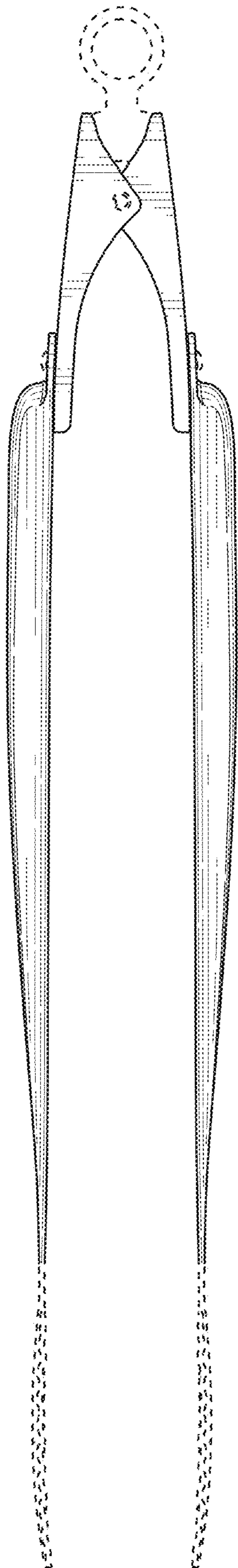


FIG. 6

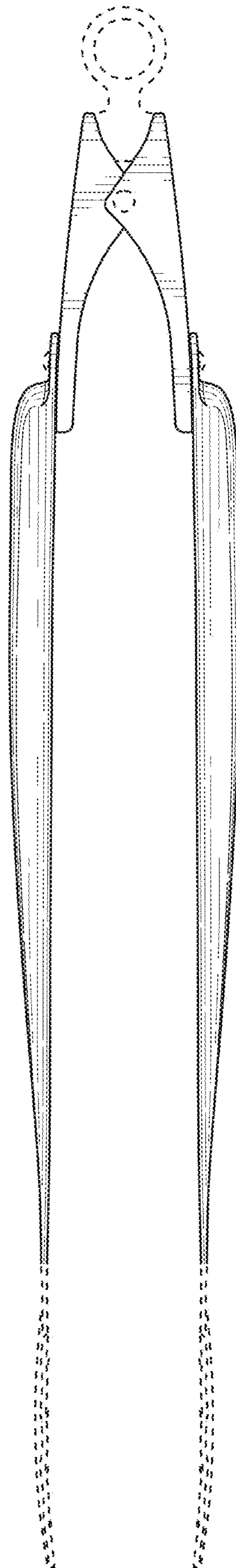


FIG. 7