



US00D874888S

(12) **United States Design Patent**  
**Niles et al.**

(10) **Patent No.:** **US D874,888 S**  
(45) **Date of Patent:** **\*\* Feb. 11, 2020**

- (54) **MEAT TENDERIZER HEAD**
- (71) Applicants: **Ruth Niles**, Newville, PA (US); **Paul Holmes**, Moscow Mills, MO (US)
- (72) Inventors: **Ruth Niles**, Newville, PA (US); **Paul Holmes**, Moscow Mills, MO (US)
- (\*\*) Term: **15 Years**
- (21) Appl. No.: **29/663,282**
- (22) Filed: **Sep. 13, 2018**
- (51) **LOC (12) Cl.** ..... **07-04**
- (52) **U.S. Cl.**  
USPC ..... **D7/682**
- (58) **Field of Classification Search**  
USPC ..... D7/368, 669, 682; D8/14, 90  
CPC ..... A22C 9/00; A22C 9/007; A22C 9/008;  
A22C 7/00  
See application file for complete search history.

- D423,888 S \* 5/2000 Kaposi ..... D7/682
- D753,963 S \* 4/2016 Wong ..... D7/682
- 2004/0219872 A1\* 11/2004 Bitonto ..... A22C 7/00  
452/102
- 2006/0019589 A1\* 1/2006 Wangler ..... A22C 9/007  
452/102

\* cited by examiner

*Primary Examiner* — Terry A Wallace  
(74) *Attorney, Agent, or Firm* — Steve O'Donnell

(57) **CLAIM**

The ornamental design for a meat tenderizer head, as shown and described.

**DESCRIPTION**

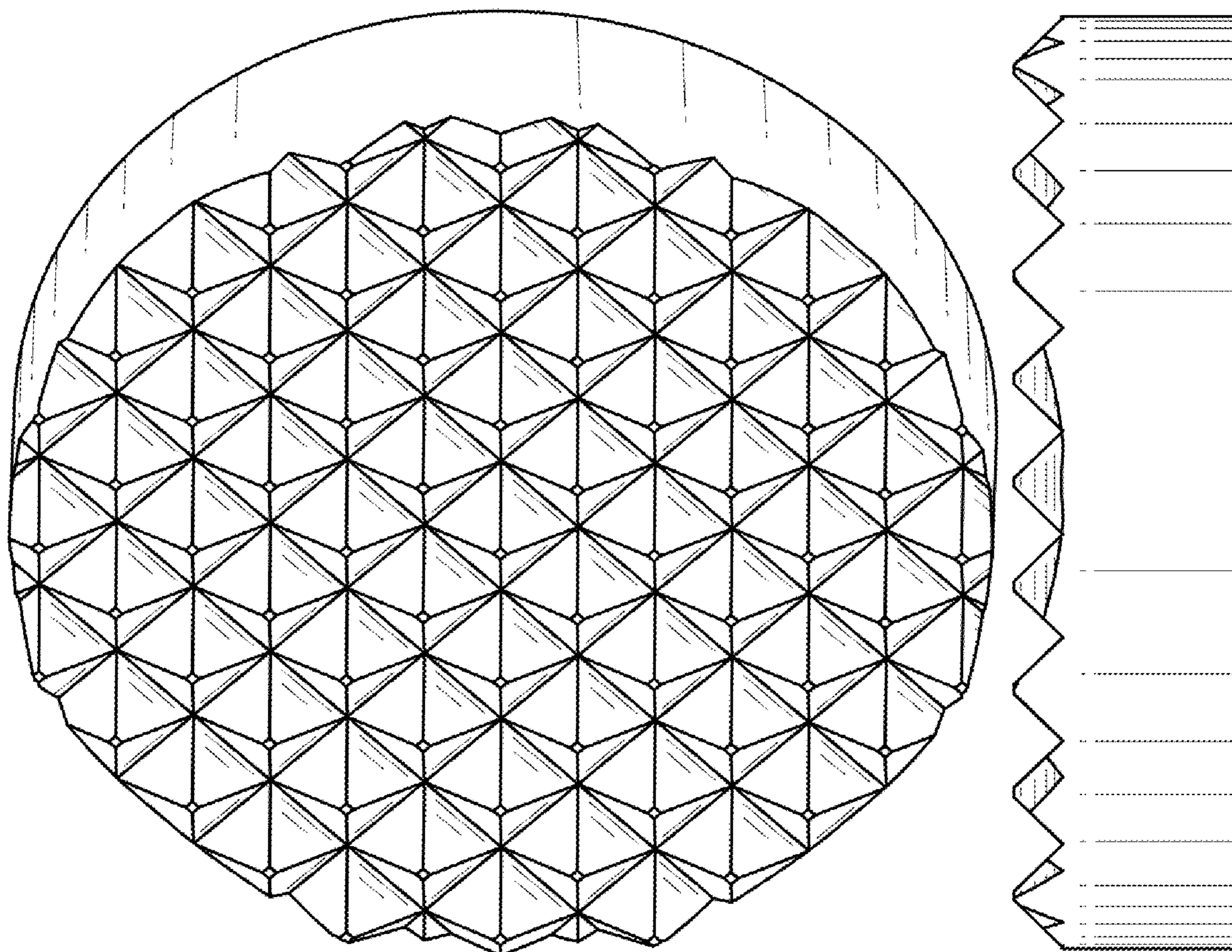
FIG. 1 is a perspective view of the meat tenderizer head showing our design;  
FIG. 2 is a bottom view thereof;  
FIG. 3 is a side view thereof; and,  
FIG. 4 is another perspective view with an optional handle shown in dashed lines.  
The dashed lines are included for the purpose of illustrating environmental elements that form no part of the claimed design.

(56) **References Cited**

**U.S. PATENT DOCUMENTS**

- D48,170 S \* 11/1915 Colley ..... D7/682
- D265,281 S \* 7/1982 Bennett ..... D7/382

**1 Claim, 4 Drawing Sheets**



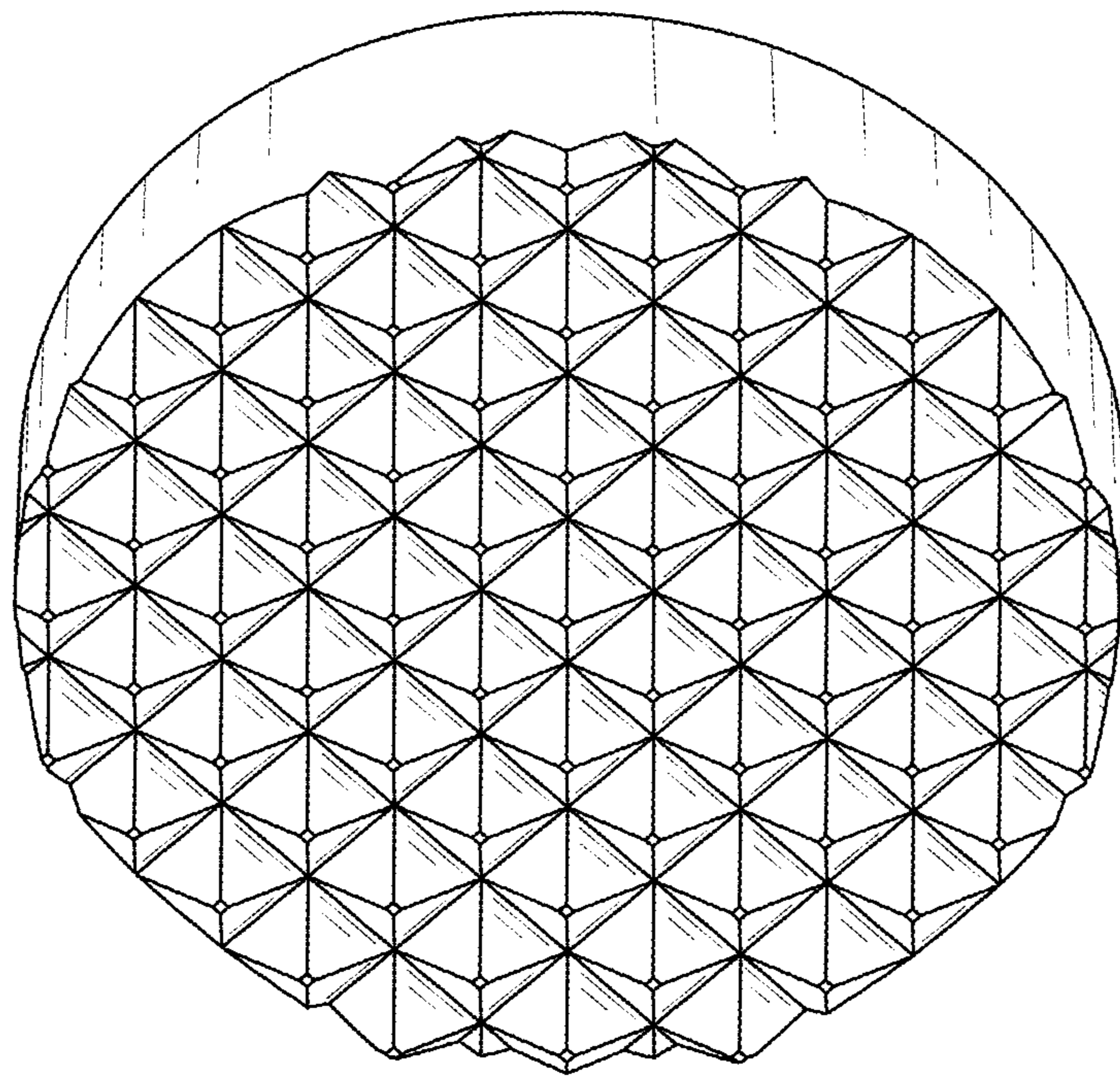


FIG. 1

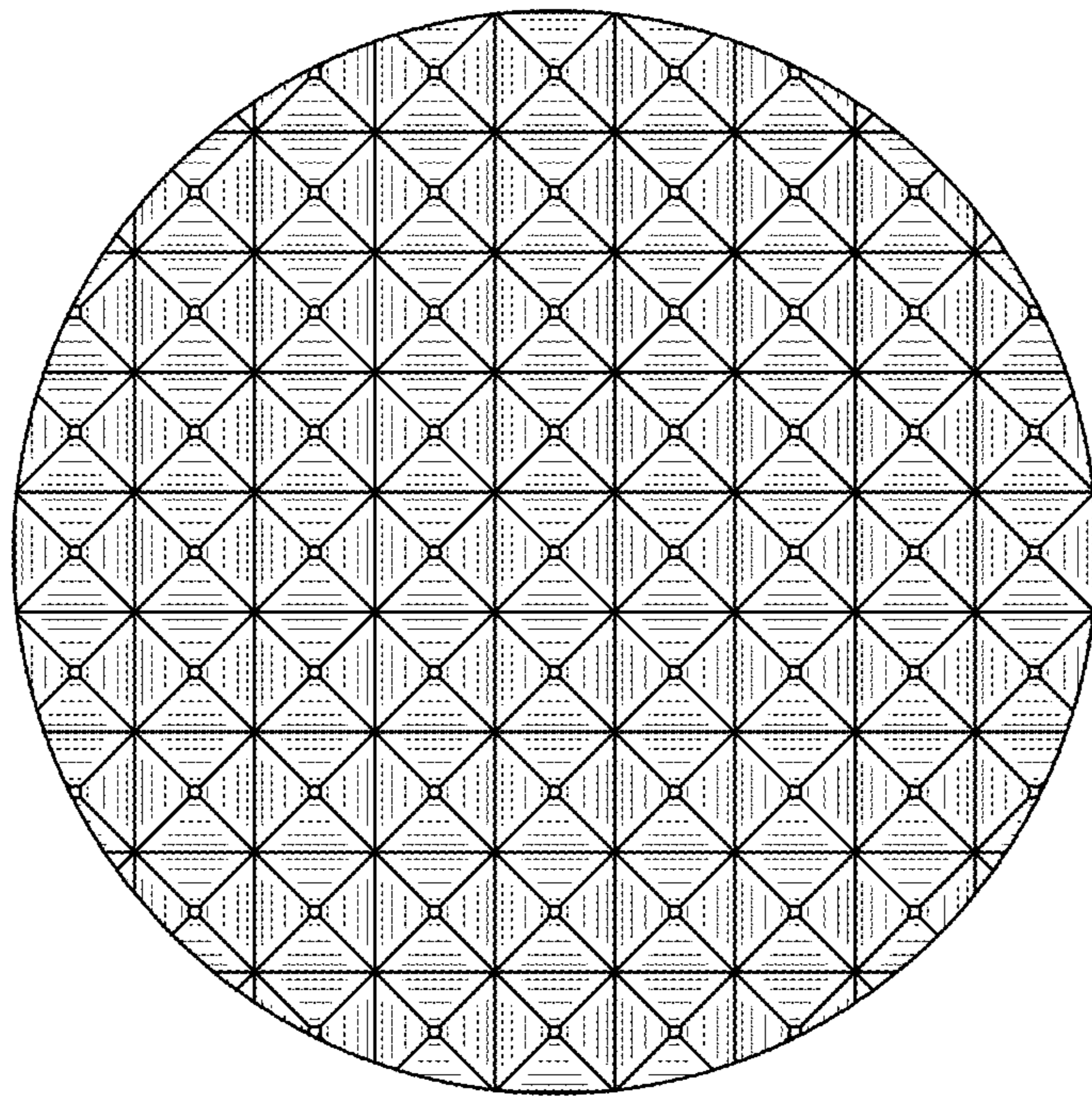


FIG. 2

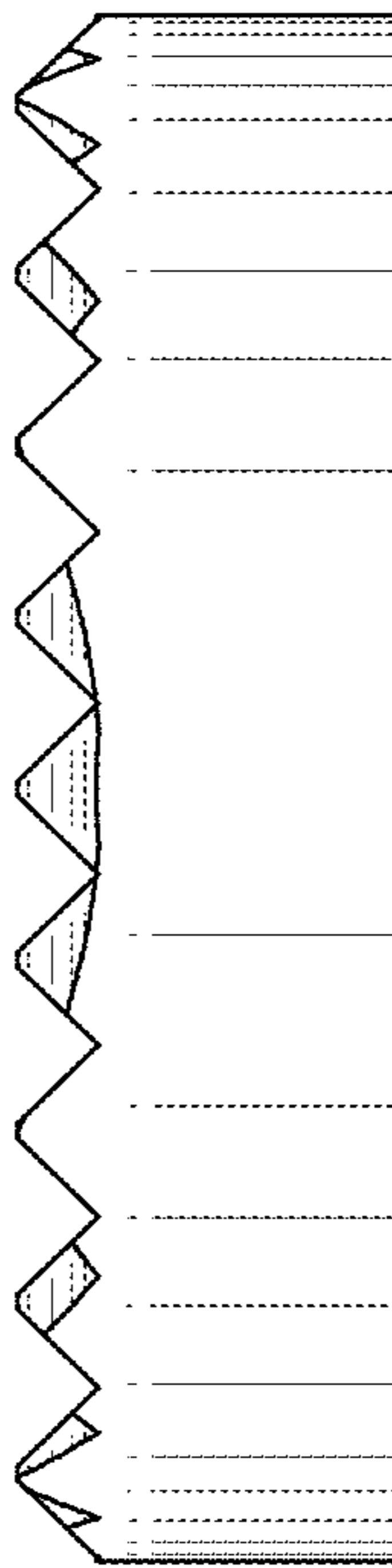


FIG. 3

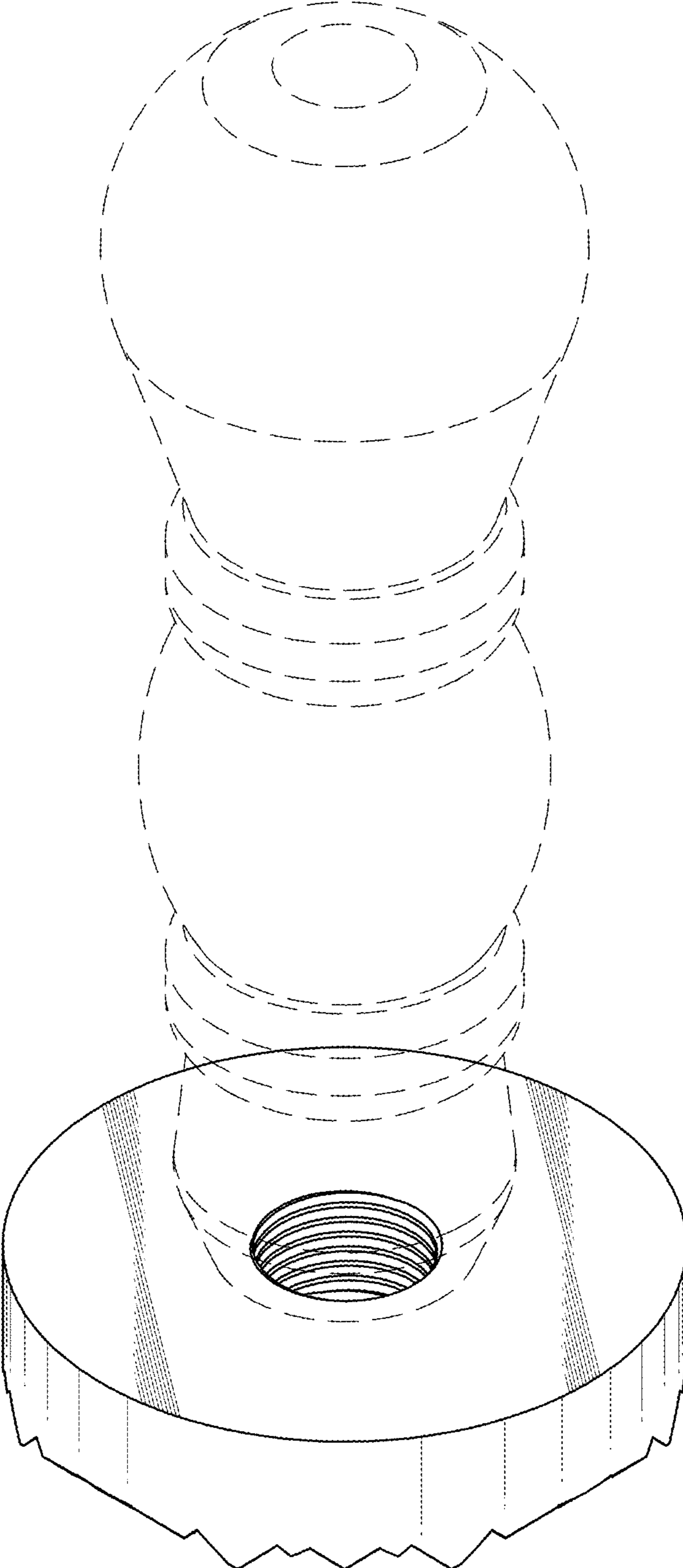


FIG. 4