



US00D874886S

(12) **United States Design Patent**
Breneman

(10) **Patent No.:** **US D874,886 S**

(45) **Date of Patent:** **** Feb. 11, 2020**

(54) **GRINDER**

(71) Applicant: **Superior Precision Engineering LLC**,
Chandler, AZ (US)

(72) Inventor: **Brandon Breneman**, Chandler, AZ
(US)

(73) Assignee: **Superior Precision Engineering LLC**,
Chandler, AZ (US)

(**) Term: **15 Years**

(21) Appl. No.: **29/662,704**

(22) Filed: **Sep. 7, 2018**

(51) **LOC (12) Cl.** **07-04**

(52) **U.S. Cl.**
USPC **D7/679**; D27/195

(58) **Field of Classification Search**
USPC D7/679, 590-597, 693, 372, 373, 381,
D7/383; D27/194, 195
CPC .. A47J 42/14; A47J 42/00; A47J 42/04; A47J
42/34; A47J 42/40; A47J 42/50; A47J
42/18; A47J 42/24; A47J 42/42; A47J
42/46; A47J 19/04; A47J 43/25; A47J
43/04; A47J 43/06; A47J 43/255; A47J
44/00; A24B 7/00; A24C 5/40
See application file for complete search history.

(56) **References Cited**

U.S. PATENT DOCUMENTS

795,746	A *	7/1905	Wingfield et al.	A24F 15/18	206/238
D474,378	S *	5/2003	Brandenburg	D7/679	
6,945,486	B2 *	9/2005	Teng	A47J 19/06	241/169.1
7,422,170	B2 *	9/2008	Bao	B02C 18/24	241/168
8,393,563	B2 *	3/2013	Chaoui	B02C 18/08	241/168

D702,853	S *	4/2014	Priebe	D24/220
9,198,541	B2 *	12/2015	Smith	A47J 43/25
2013/0214068	A1 *	8/2013	Camitta	B02C 18/16
				241/25

* cited by examiner

Primary Examiner — Terry A Wallace

(74) *Attorney, Agent, or Firm* — Brian M. Kaufman;
Robert D. Atkins; Patent Law Group: Atkins and
Associates, P.C.

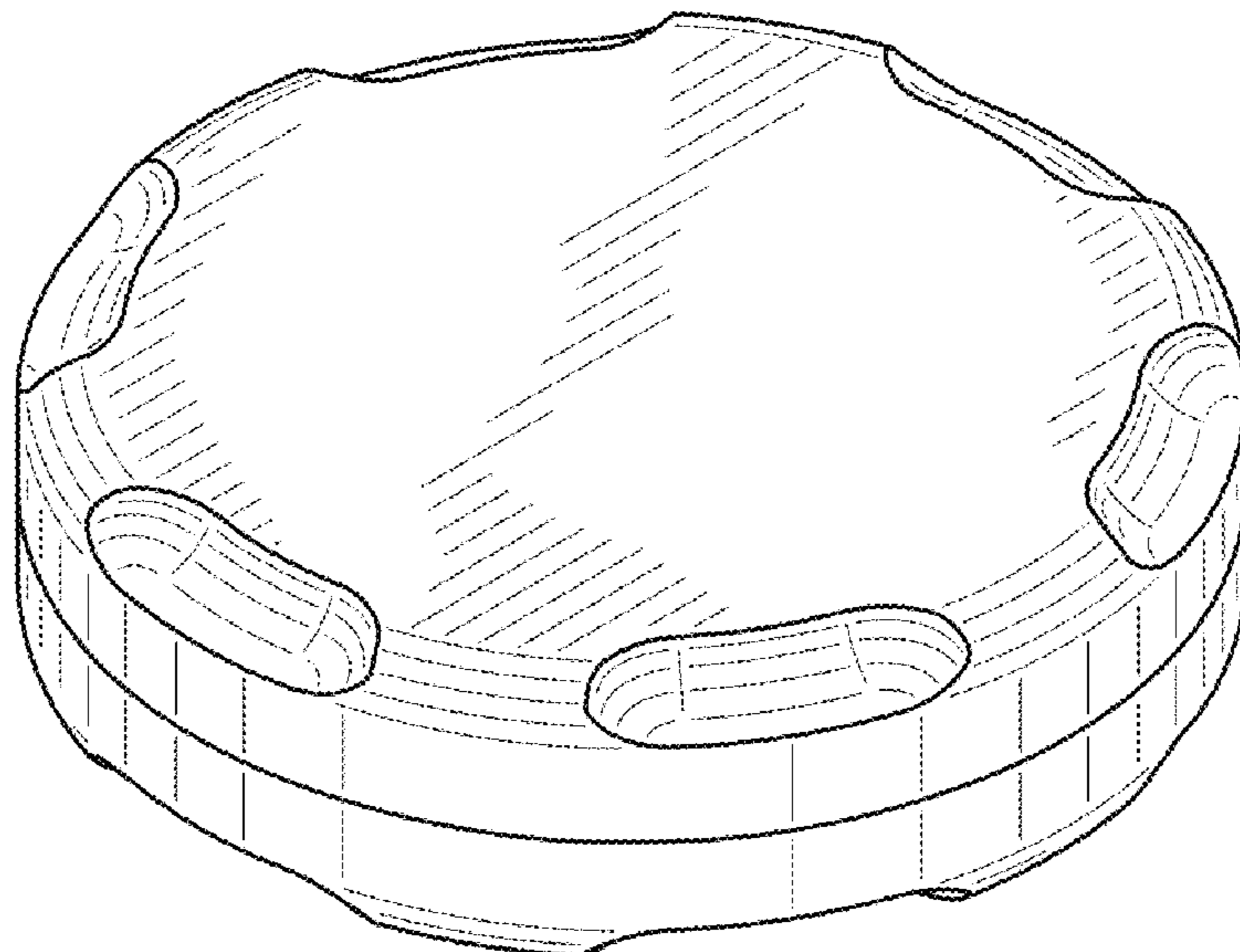
(57) **CLAIM**

The ornamental design for a grinder, as shown and described.

DESCRIPTION

FIG. 1 is a perspective view of a top side of a top half of a grinder in accordance with the present invention;
 FIG. 2 is a perspective view of a bottom side of the top half of the grinder;
 FIG. 3 is a top view of the top half of the grinder;
 FIG. 4 is a bottom view of the top half of the grinder;
 FIG. 5 is a first side view of the top half of the grinder;
 FIG. 6 is a second side view of the top half of the grinder;
 FIG. 7 is a perspective view of a top side of a bottom half of the grinder;
 FIG. 8 is a perspective view of a bottom side of the bottom half of the grinder;
 FIG. 9 is a top view of the bottom half of the grinder;
 FIG. 10 is a bottom view of the bottom half of the grinder;
 FIG. 11 is a first side view of the bottom half of the grinder;
 FIG. 12 is a second side view of the bottom half of the grinder;
 FIG. 13 is a perspective view of the grinder with the bottom half and top half combined;
 FIG. 14 is a top view or bottom view of the grinder;
 FIG. 15 is a first side view of the grinder; and,
 FIG. 16 is a second side view of the grinder.

1 Claim, 6 Drawing Sheets



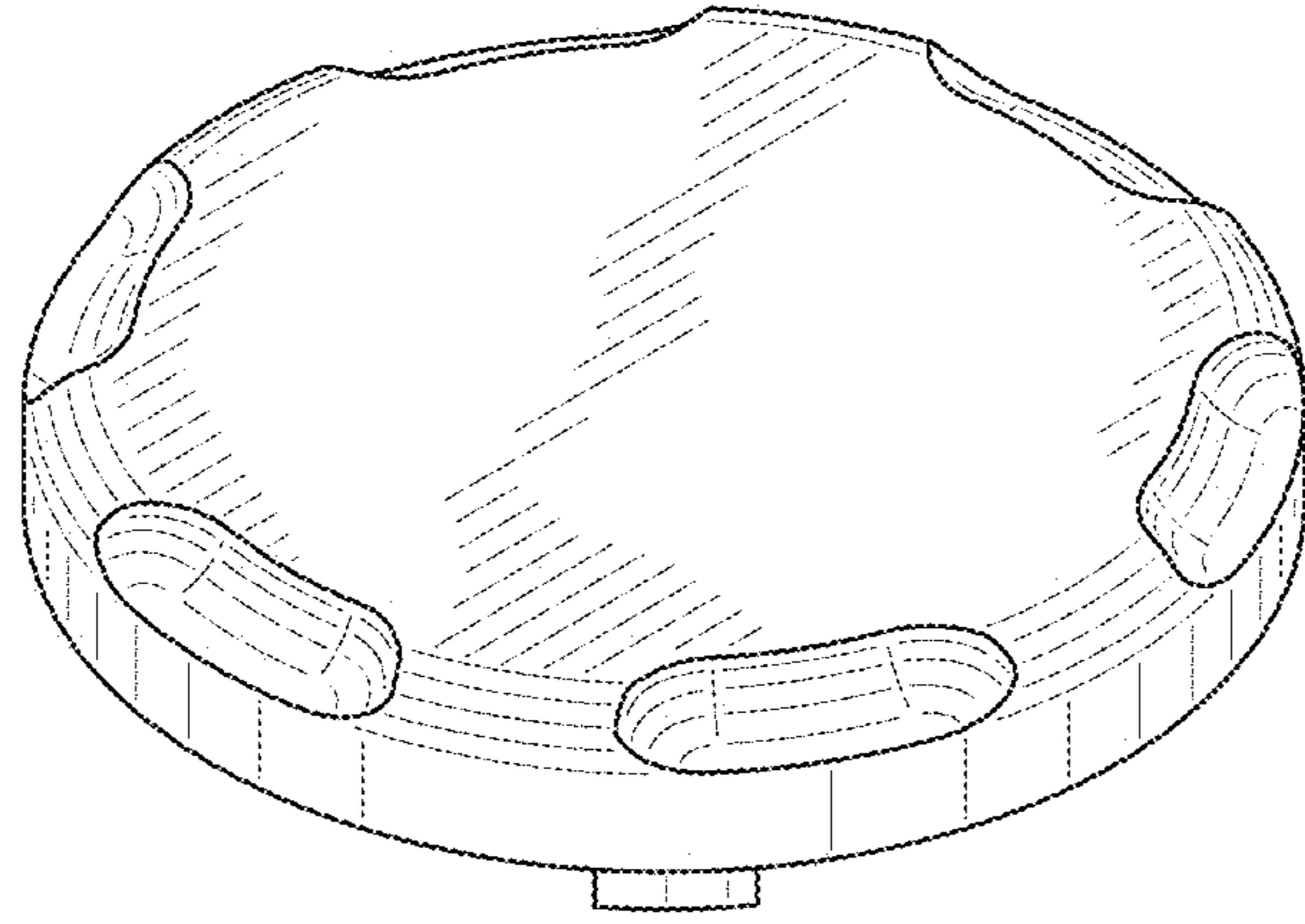


FIG. 1

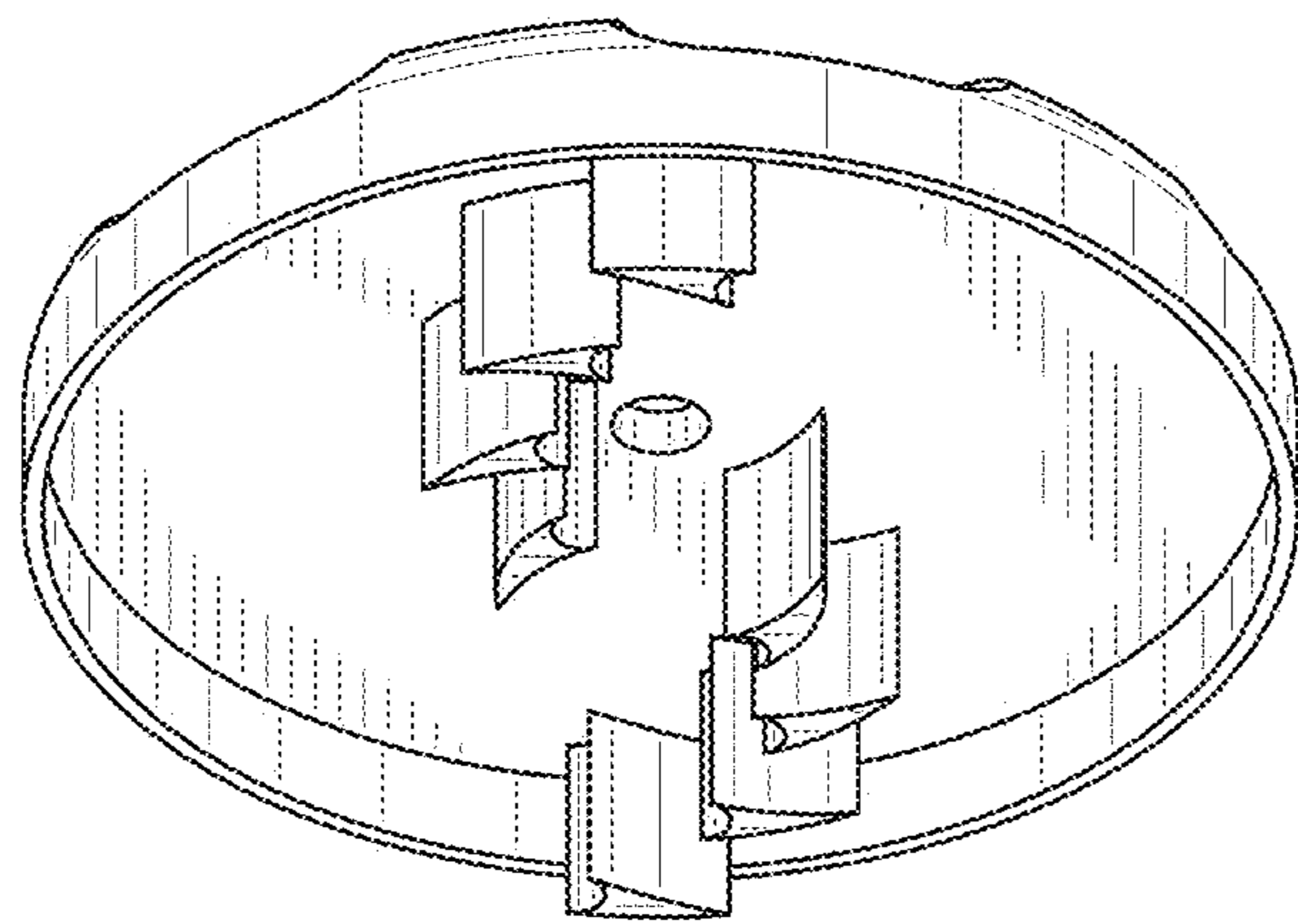


FIG. 2

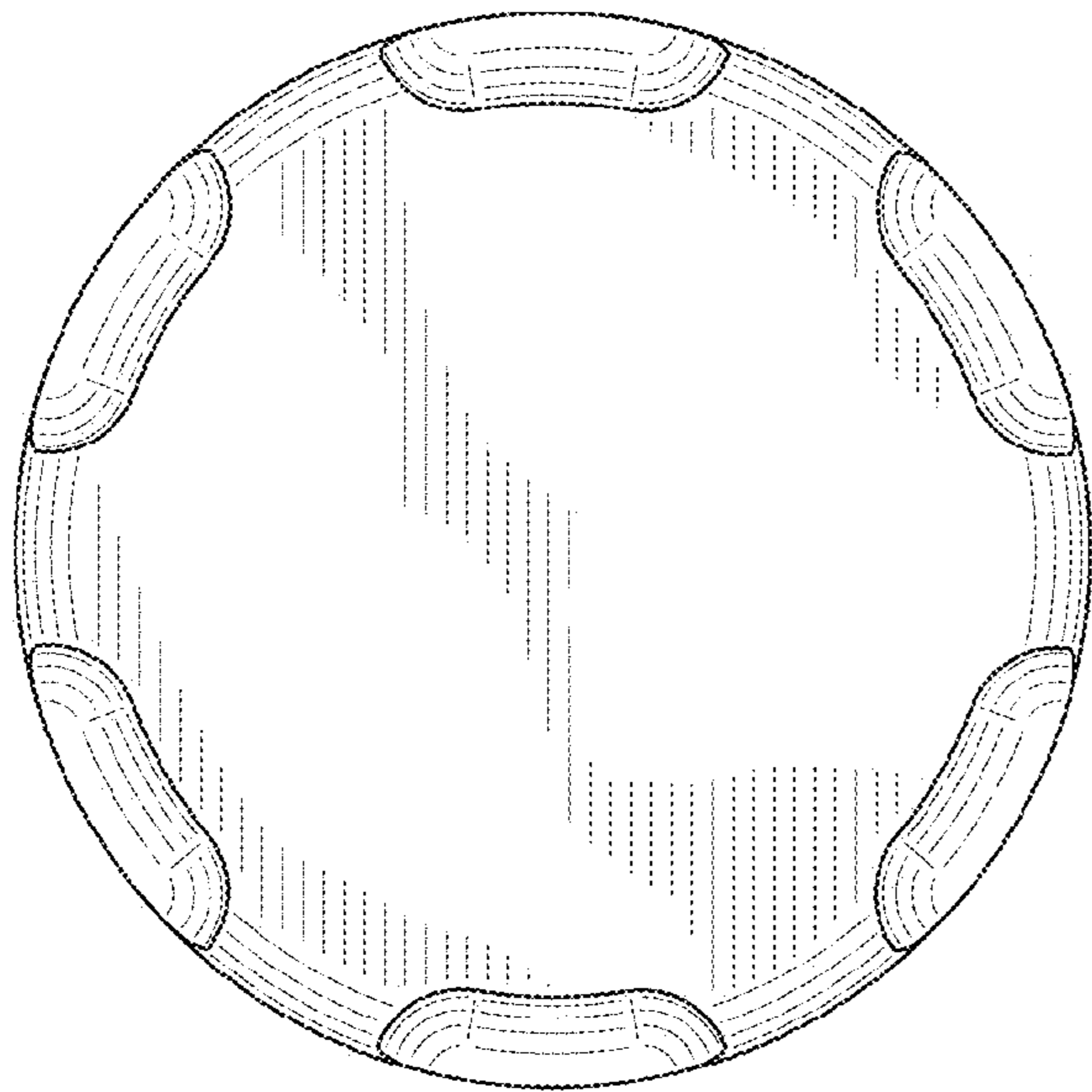


FIG. 3

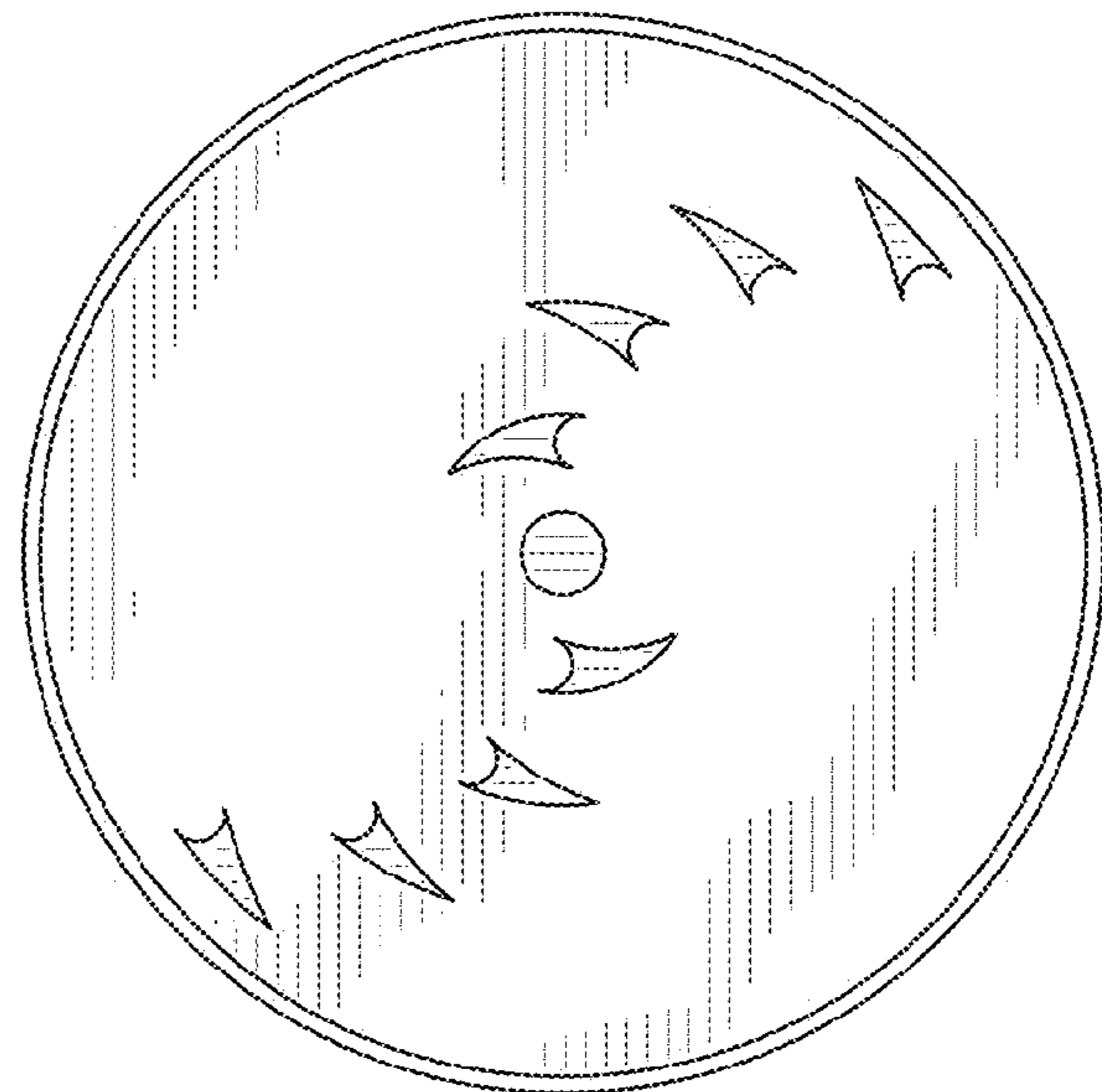


FIG. 4

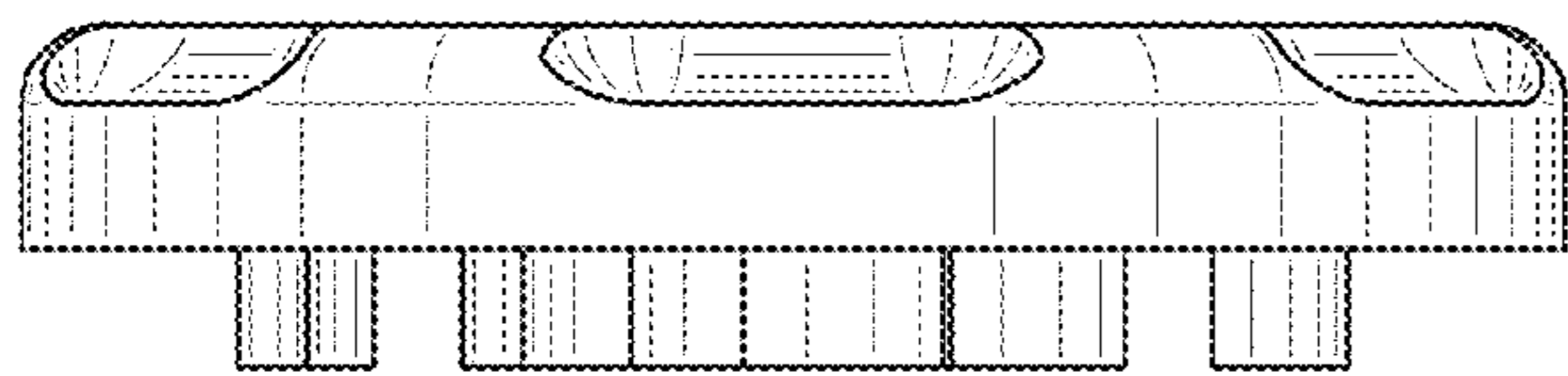


FIG. 5

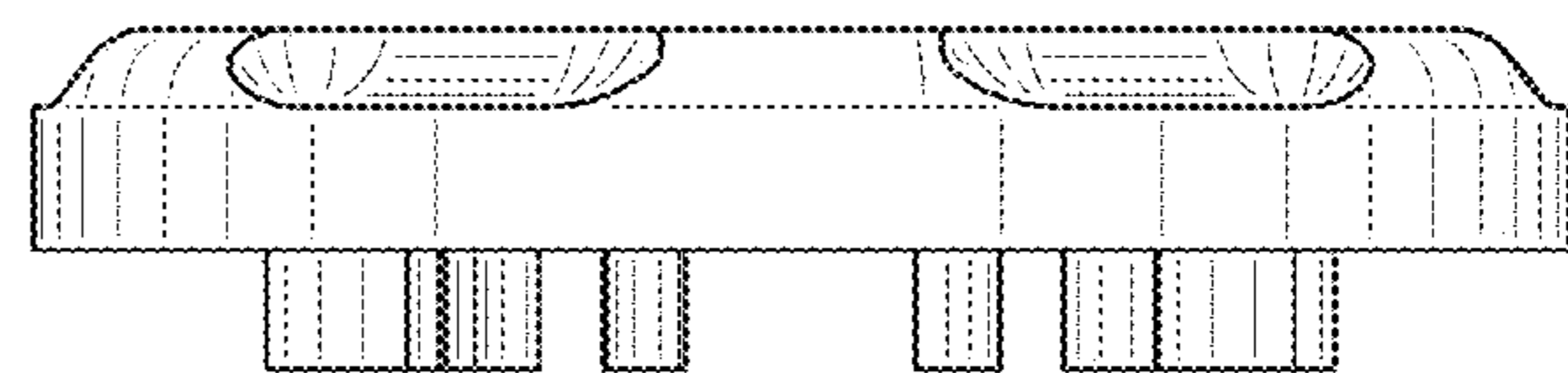


FIG. 6

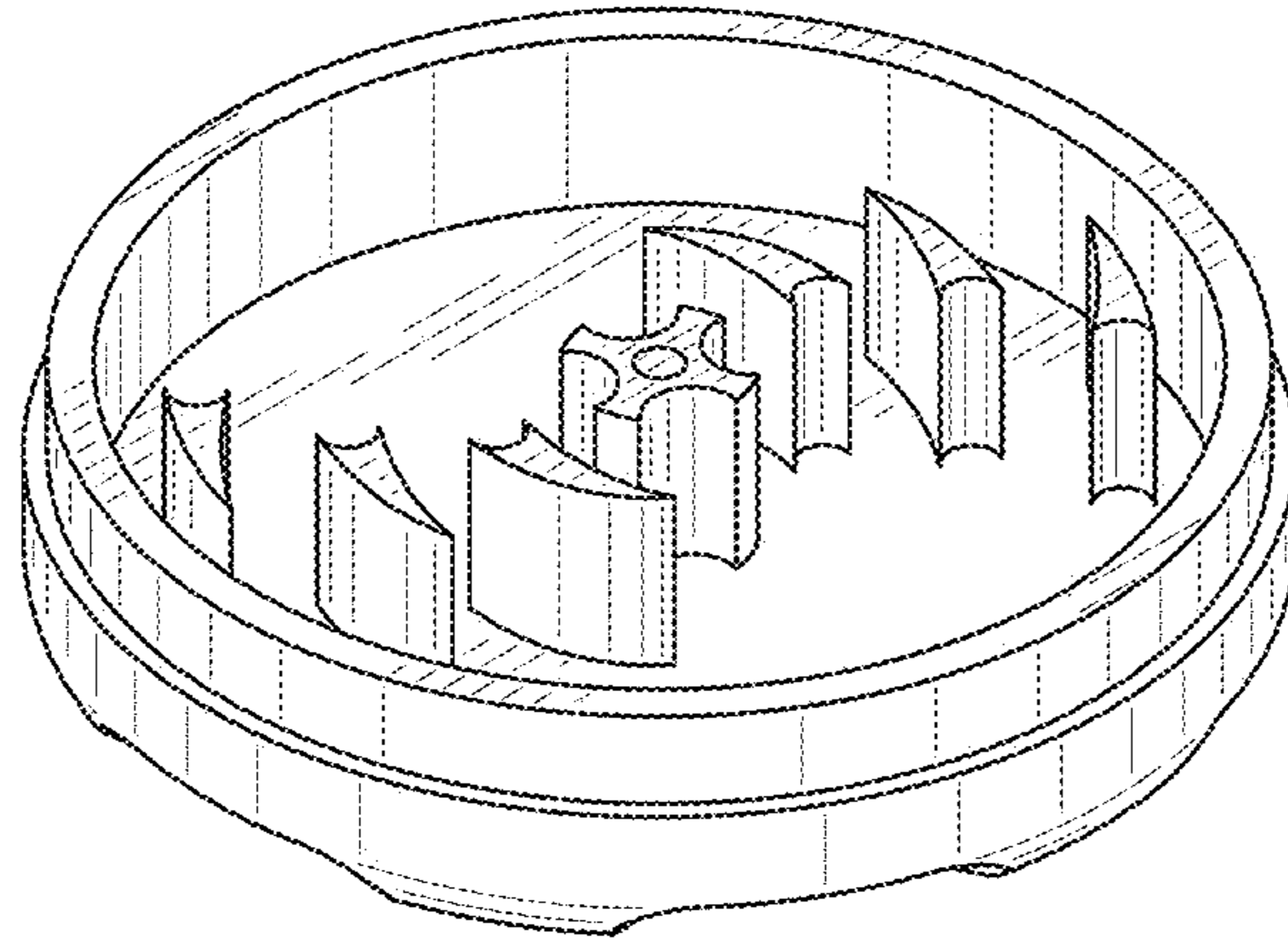


FIG. 7

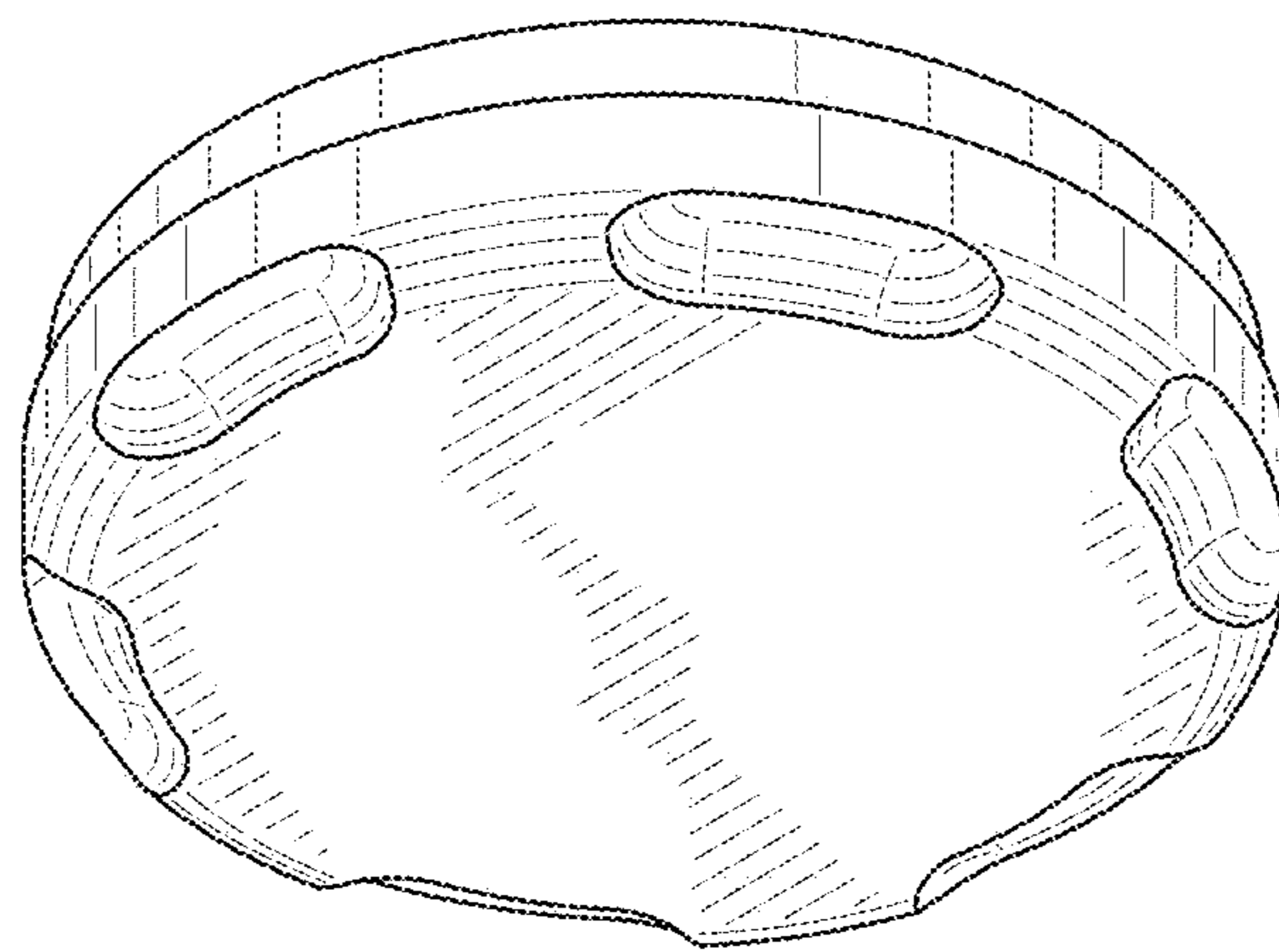


FIG. 8

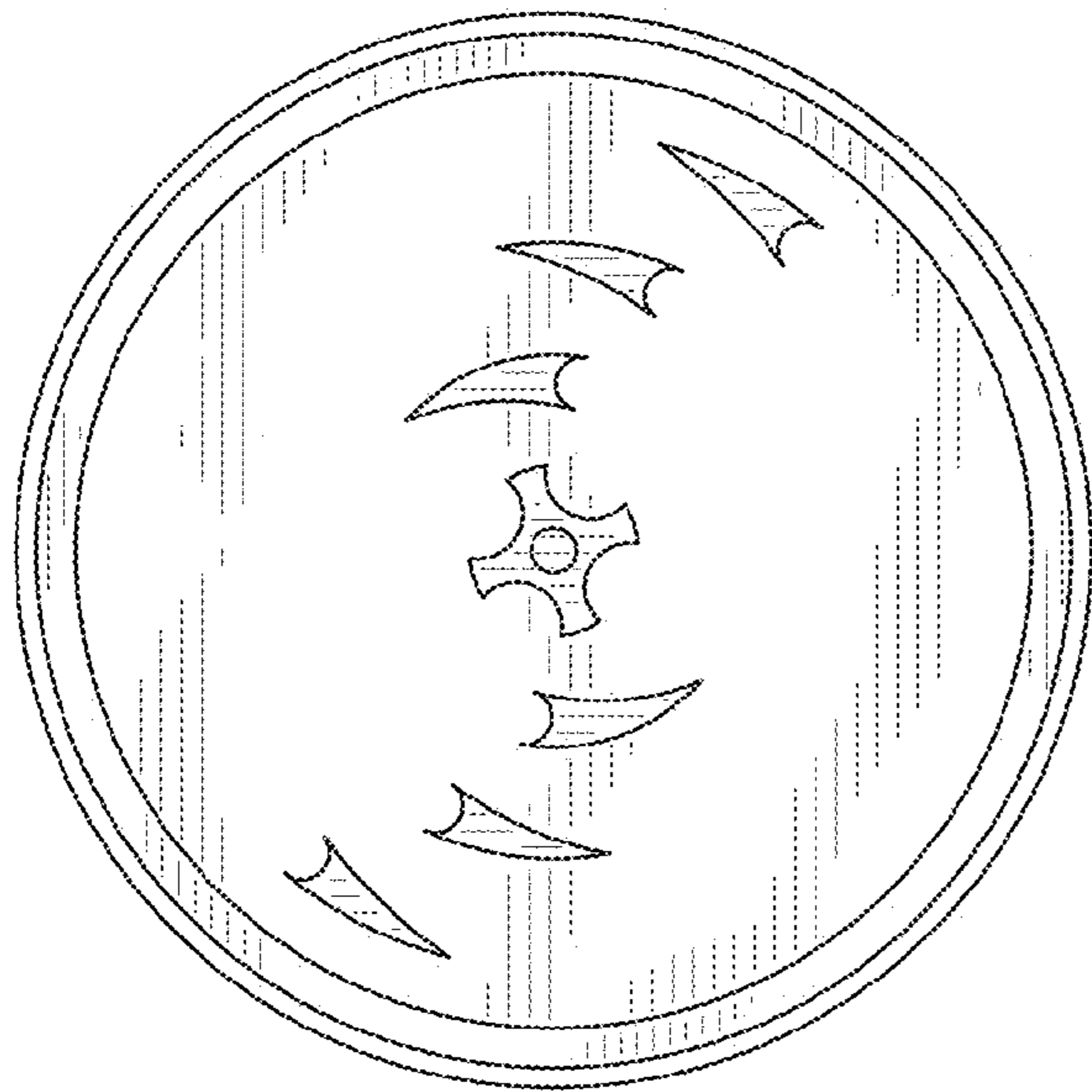


FIG. 9

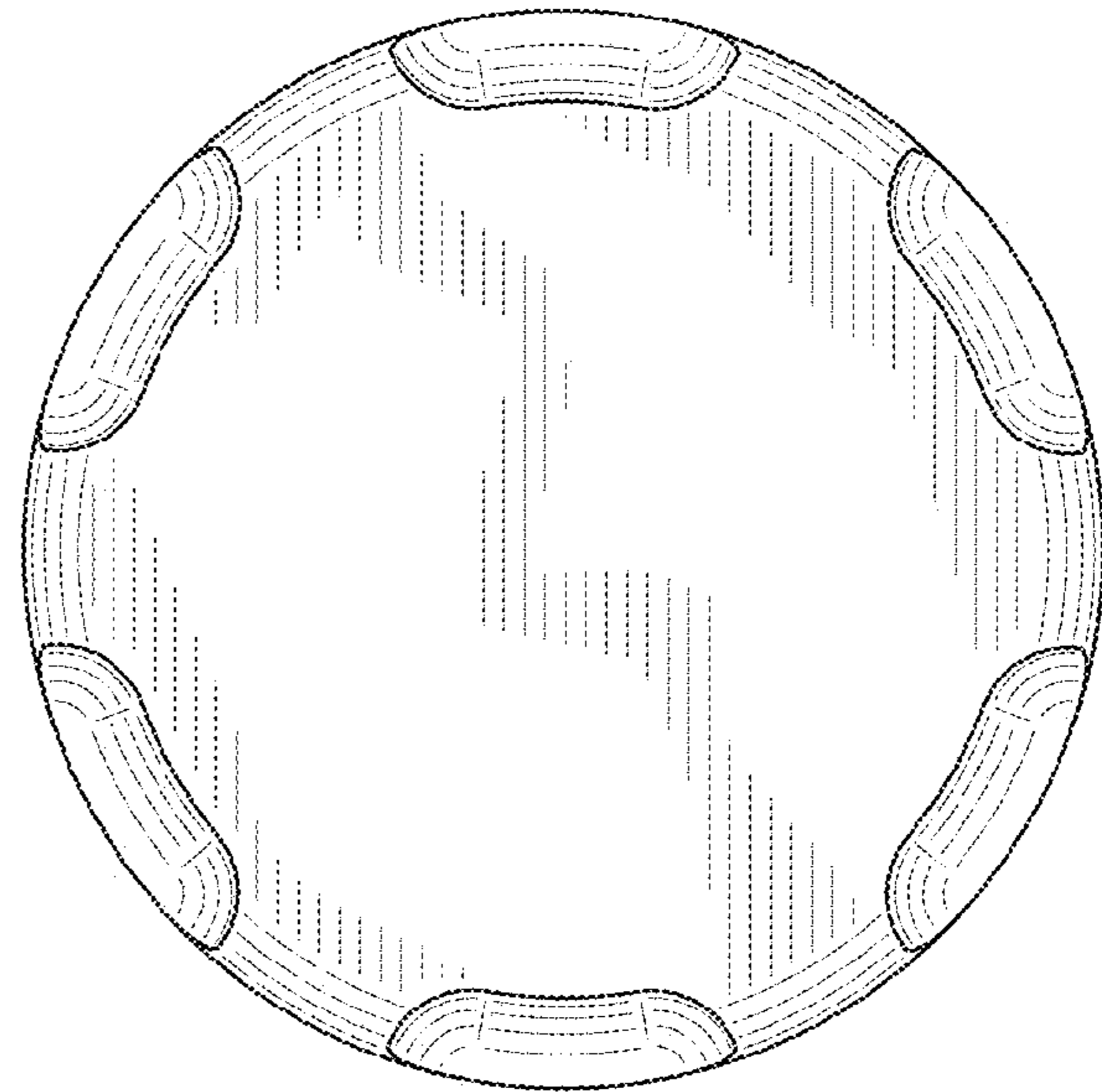


FIG. 10

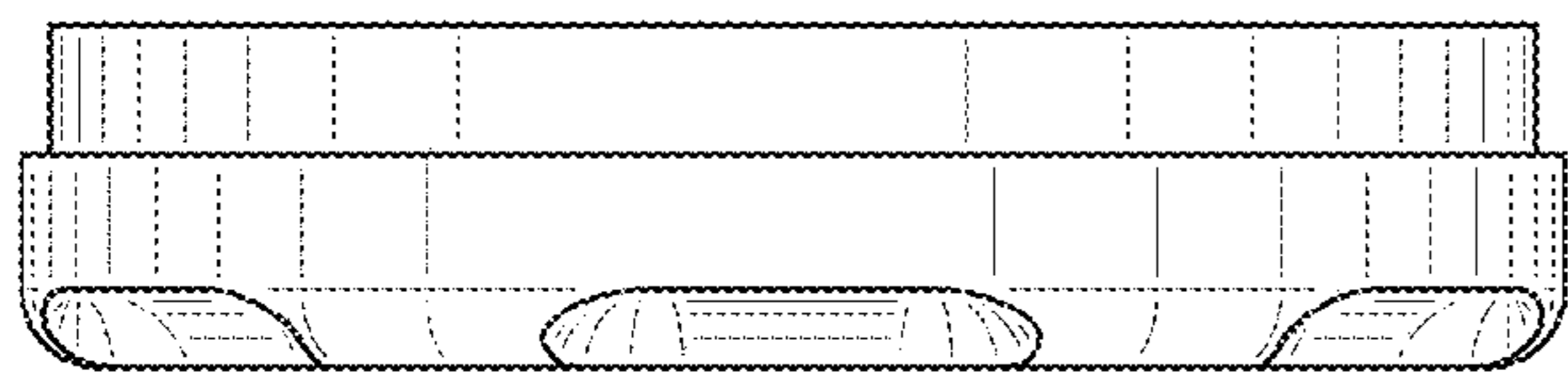


FIG. 11

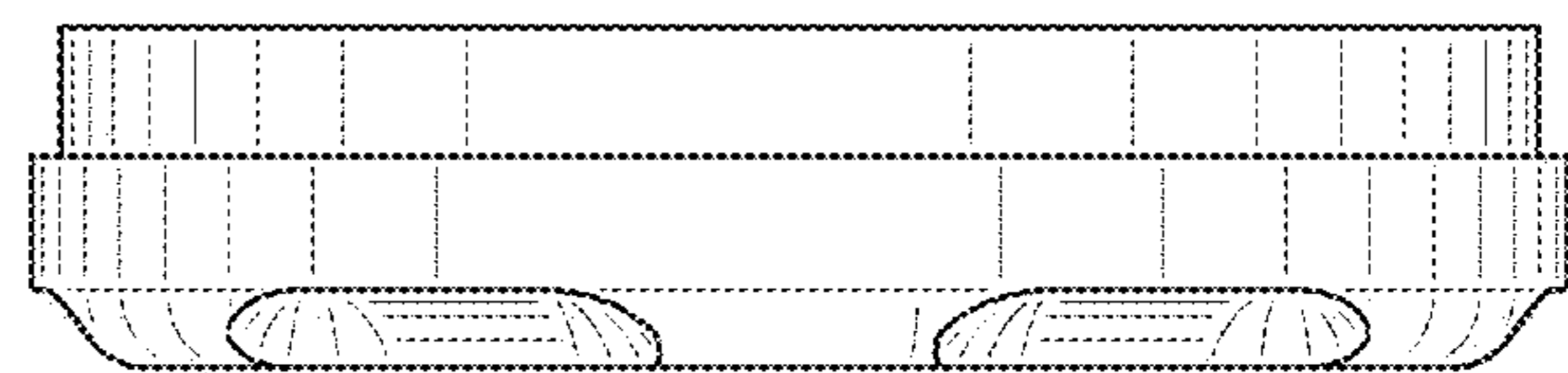


FIG. 12

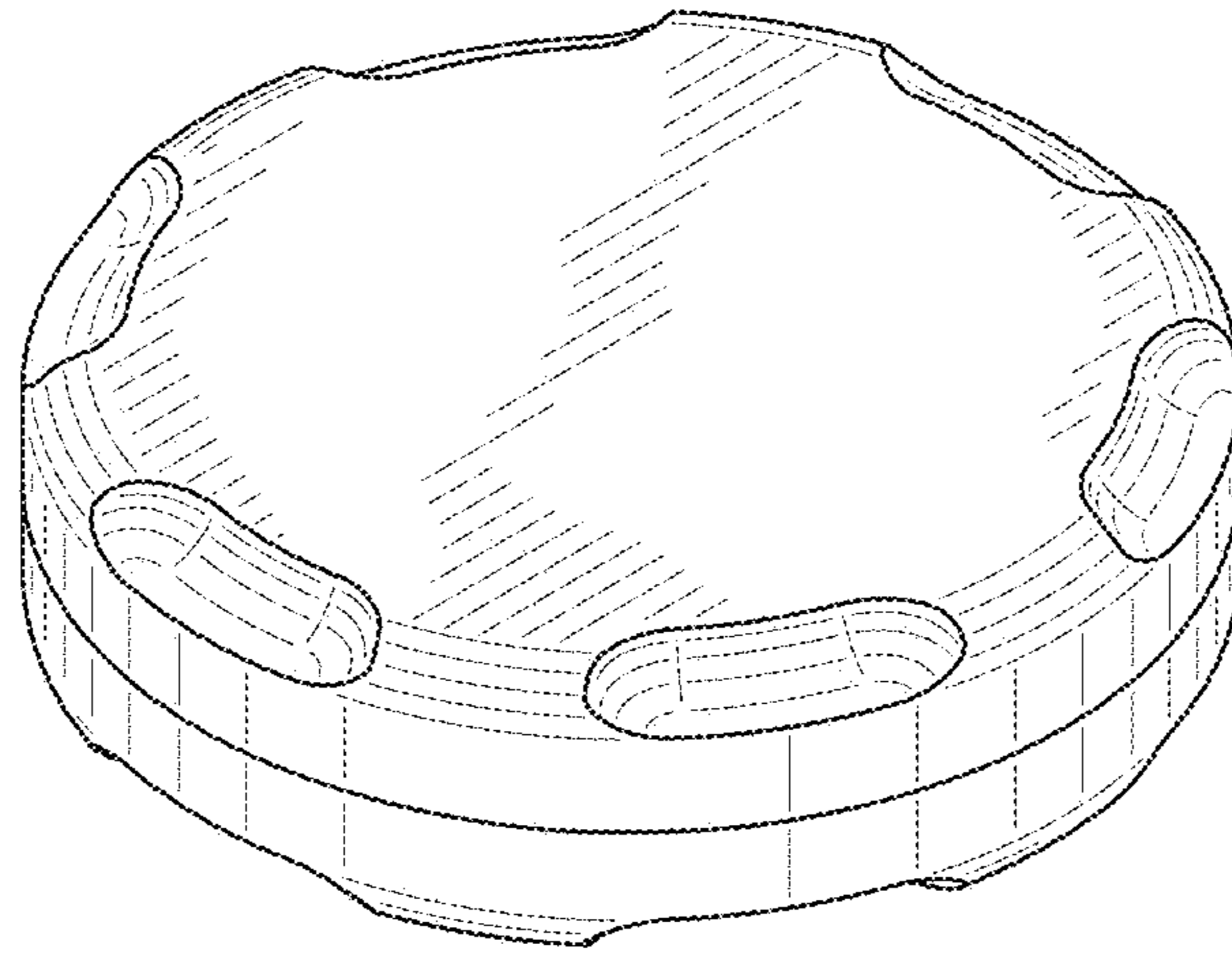


FIG. 13

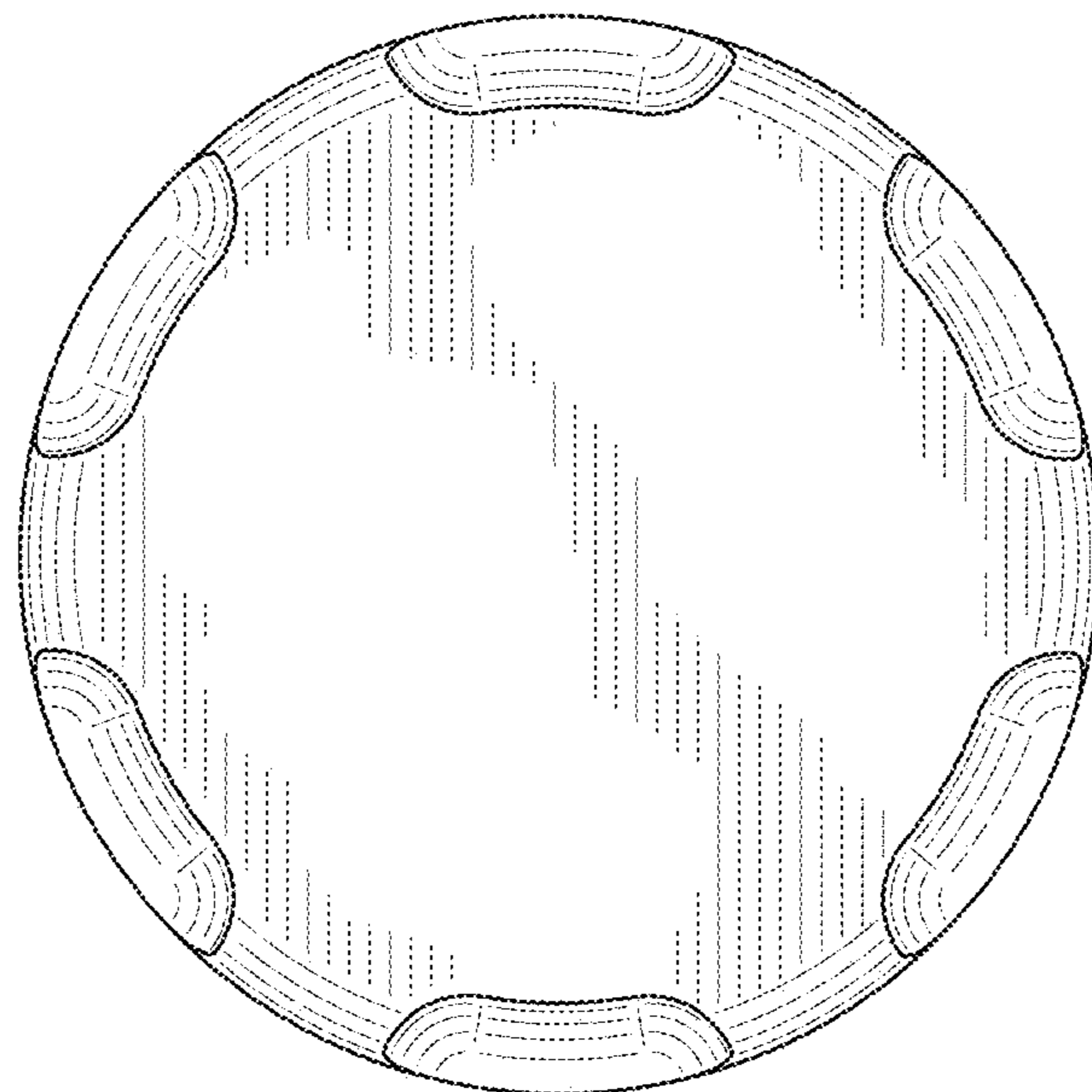


FIG. 14

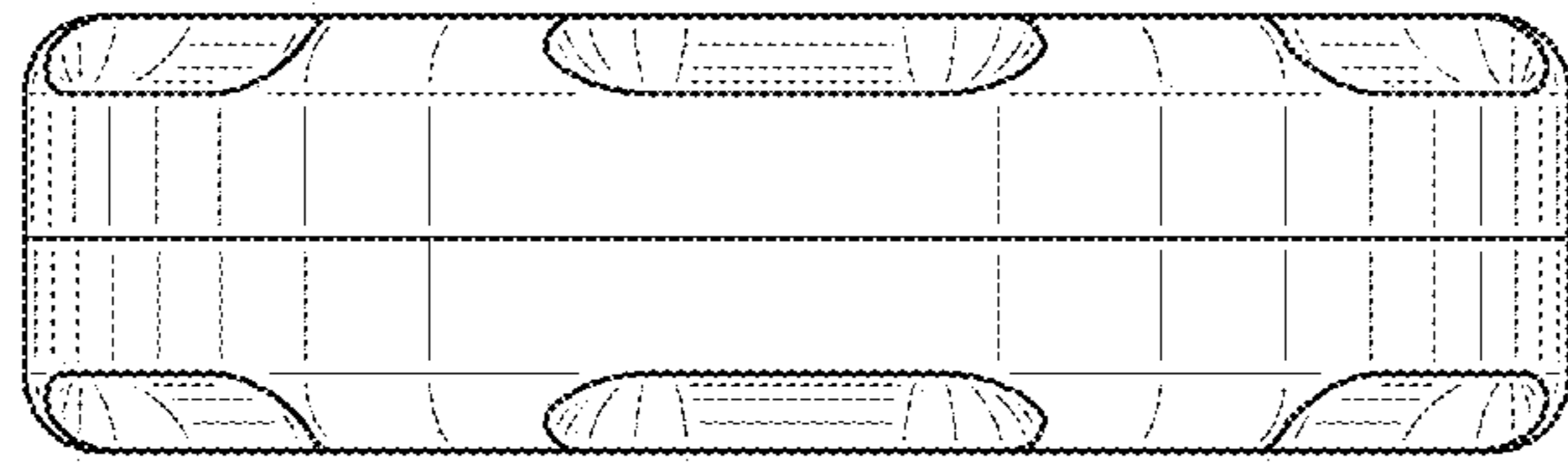


FIG. 15

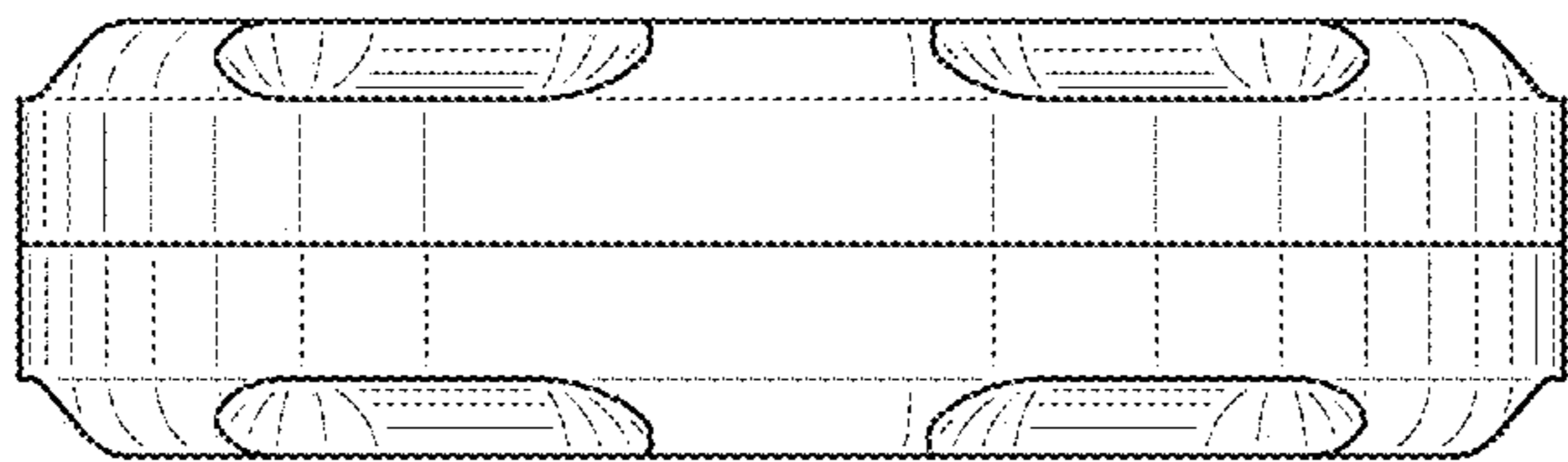


FIG. 16