



US00D874883S

(12) **United States Design Patent**
Blessinger

(10) **Patent No.:** **US D874,883 S**
(45) **Date of Patent:** **** Feb. 11, 2020**

(54) **SPEECH THERAPY TOOL ATTACHMENT**

(71) Applicant: **TALKTOOLS, LLC**, Charleston, SC (US)

(72) Inventor: **Luke Blessinger**, Mt. Pleasant, SC (US)

(73) Assignee: **TalkTools, LLC**, Charleston, SC (US)

(**) Term: **15 Years**

(21) Appl. No.: **29/705,403**

(22) Filed: **Sep. 11, 2019**

(51) **LOC (12) Cl.** **07-02**

(52) **U.S. Cl.**
USPC **D7/653**

(58) **Field of Classification Search**
USPC D7/368, 401.2, 642-645, 653-664, 669, D7/675-677, 683, 688-689, 691; D8/107, 300-301; D14/225; D22/117-118
CPC ... A01D 9/02; A01D 9/04; A01D 9/06; A47G 21/00; A47G 21/004; A47G 21/005; A47G 21/02; A47G 21/023; A47G 21/04; A47G 21/06; A47G 21/08; A47J 43/28; A47J 43/281; A47J 43/282; A61F 13/10; A61J 7/0023; B25G 1/00; B25G 1/01; B25G 1/02; B25G 3/00; B65D 51/246; B65D 75/56; B65D 75/563; B65D 75/566; B67B 7/00; B67B 7/724; B67B 7/73; F21V 33/0036
See application file for complete search history.

3,510,643 A * 5/1970 File A47G 21/02 362/23.15

5,075,970 A * 12/1991 Albert A47G 21/02 30/123

5,491,895 A * 2/1996 Lee A47G 21/004 30/125

5,957,722 A 9/1999 Pan et al.

5,966,814 A * 10/1999 Lin A47G 21/02 30/123

6,102,254 A * 8/2000 Ross A61J 7/0023 141/114

6,170,570 B1 1/2001 Aguesse et al.

6,182,482 B1 2/2001 Issitt

6,675,482 B1 * 1/2004 Gilbert, Jr. A61J 7/0023 222/258

7,405,939 B2 7/2008 Yang

D605,638 S * 12/2009 Vasilkov D14/225

7,748,924 B2 7/2010 Woxman et al.

D629,250 S * 12/2010 Finell D7/401.2

(Continued)

Primary Examiner — Ricky Pham
(74) *Attorney, Agent, or Firm* — Gregory Finch; Finch Paolino, LLC

(57) **CLAIM**

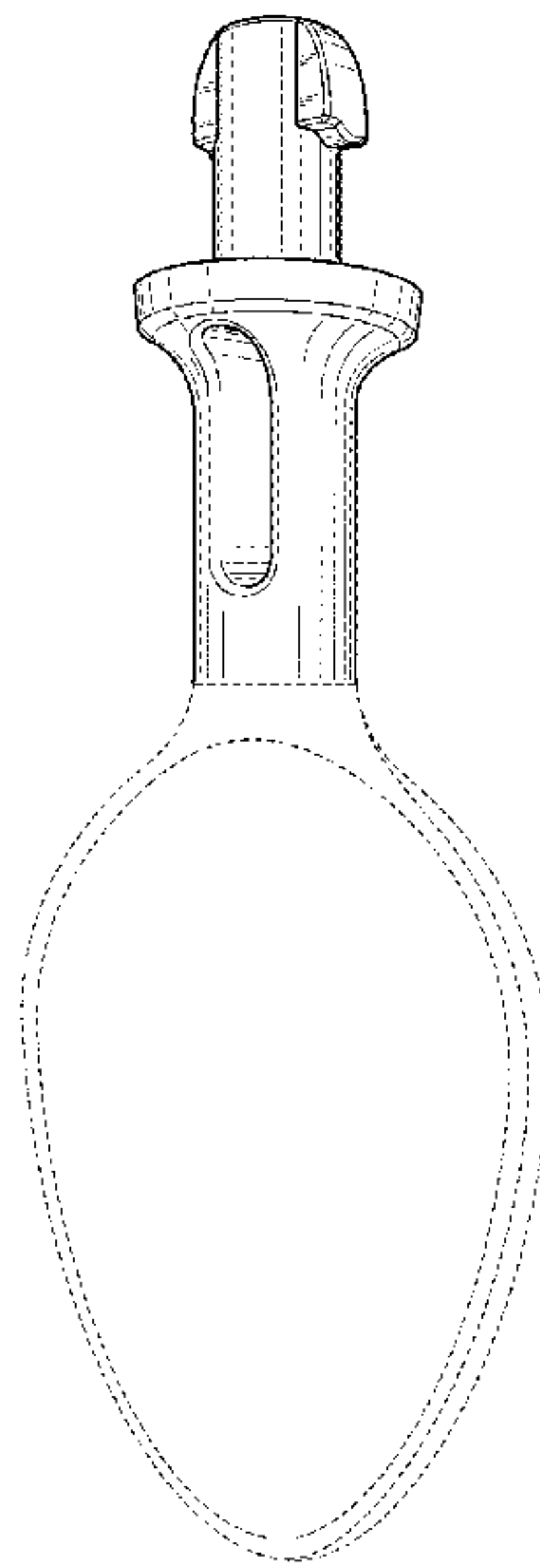
The ornamental design for a speech therapy tool attachment, as shown and described.

DESCRIPTION

FIG. 1 is an isometric view of the claimed speech therapy tool attachment, embodying the present design;
FIG. 2 is a front side view thereof;
FIG. 3 is a rear side view thereof;
FIG. 4 is a right side view thereof;
FIG. 5 is a left side view thereof;
FIG. 6 is a top down plan view thereof; and,
FIG. 7 is a bottom up plan view thereof.
The broken lines shown in the drawings are for illustrative purposes only and form no part of the claimed design.

1 Claim, 7 Drawing Sheets

(56) **References Cited**
U.S. PATENT DOCUMENTS
2,722,153 A * 11/1955 Greco A47G 21/02 84/375
2,953,170 A * 9/1960 Bush B65D 51/246 141/18



(56)

References Cited

U.S. PATENT DOCUMENTS

7,975,386	B1 *	7/2011	Halvorson	A47G 21/004
				30/141
8,109,705	B1	2/2012	Brown et al.	
D682,628	S *	5/2013	Tollman	D7/401.2
8,770,418	B2	7/2014	Ernst	
8,939,674	B2	1/2015	Zimmer et al.	
9,945,551	B2 *	4/2018	Vann	F21V 33/0036

* cited by examiner

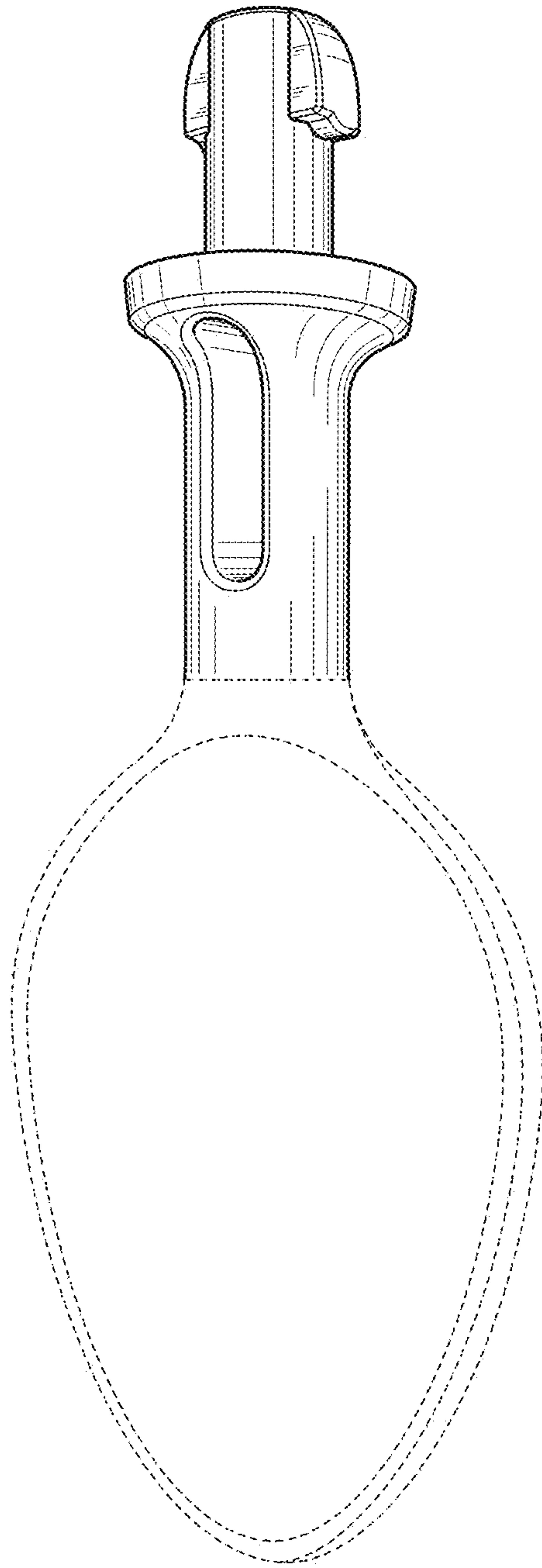


Fig. 1

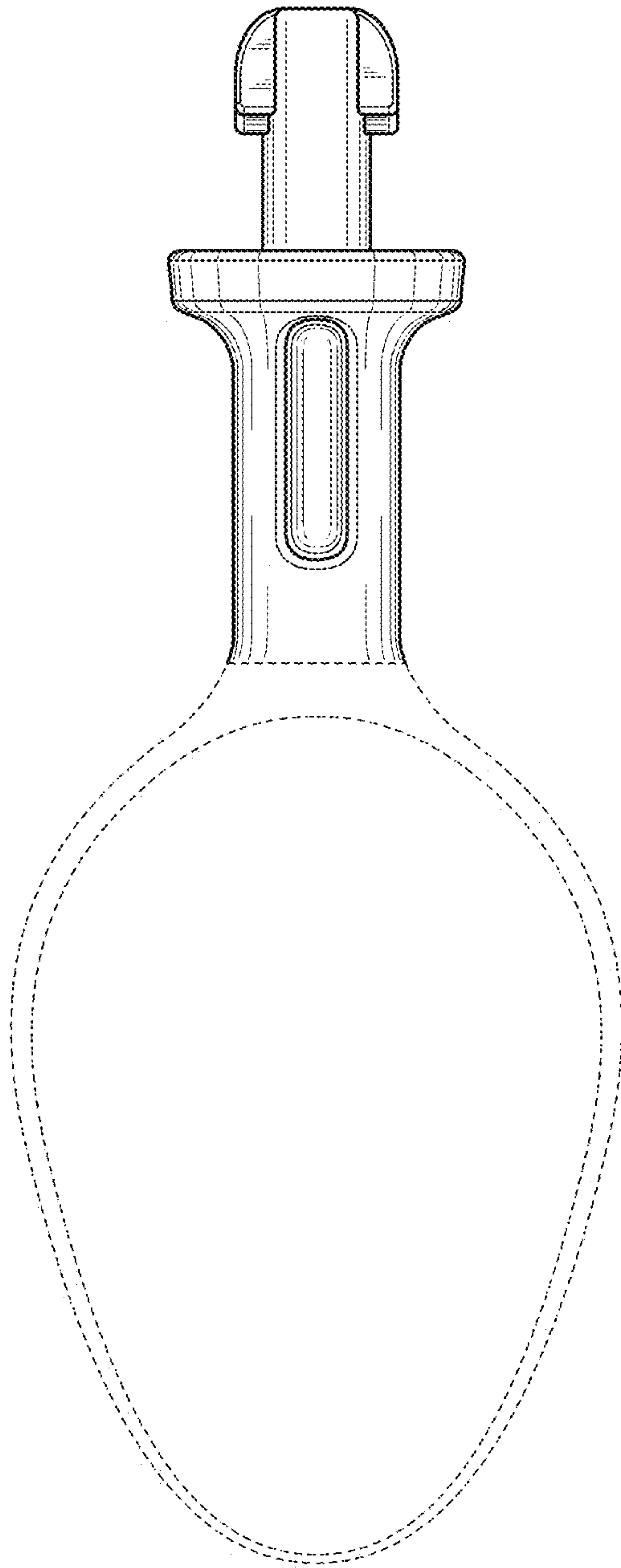


Fig. 2

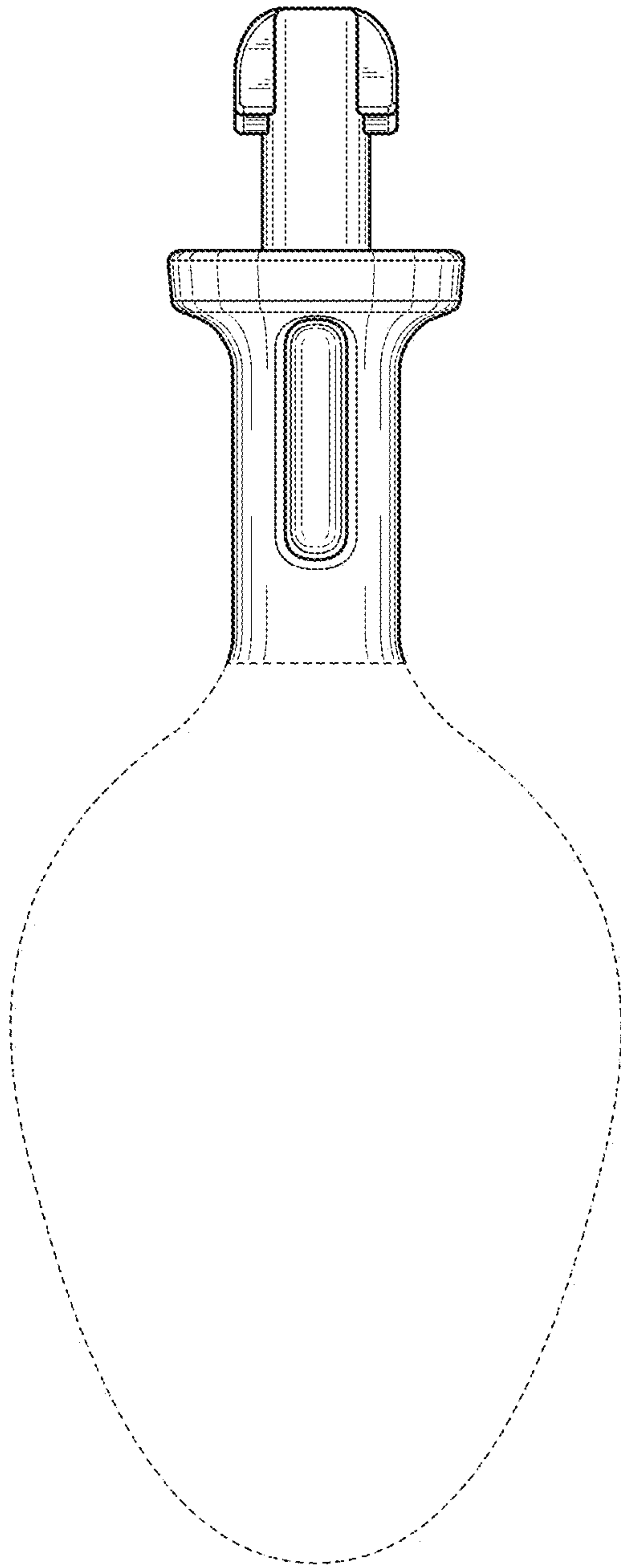


Fig. 3

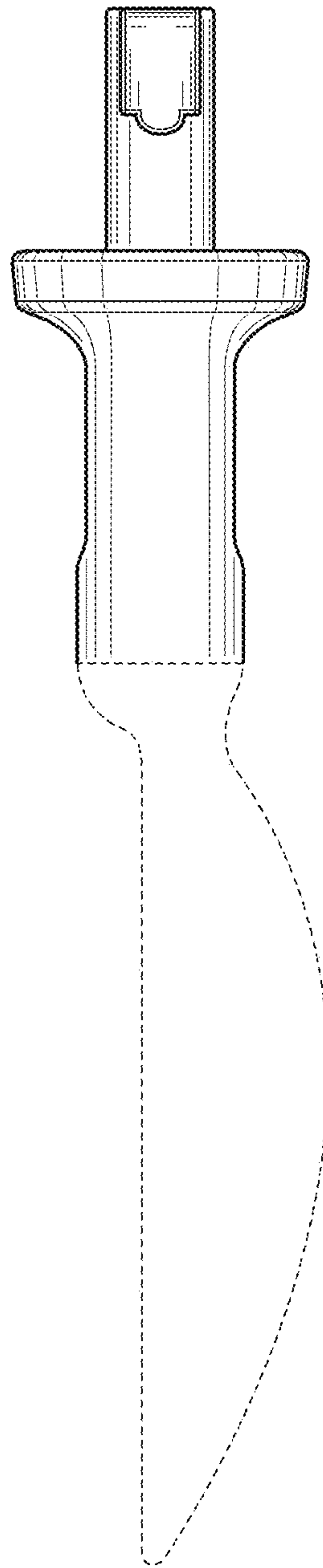


Fig. 4

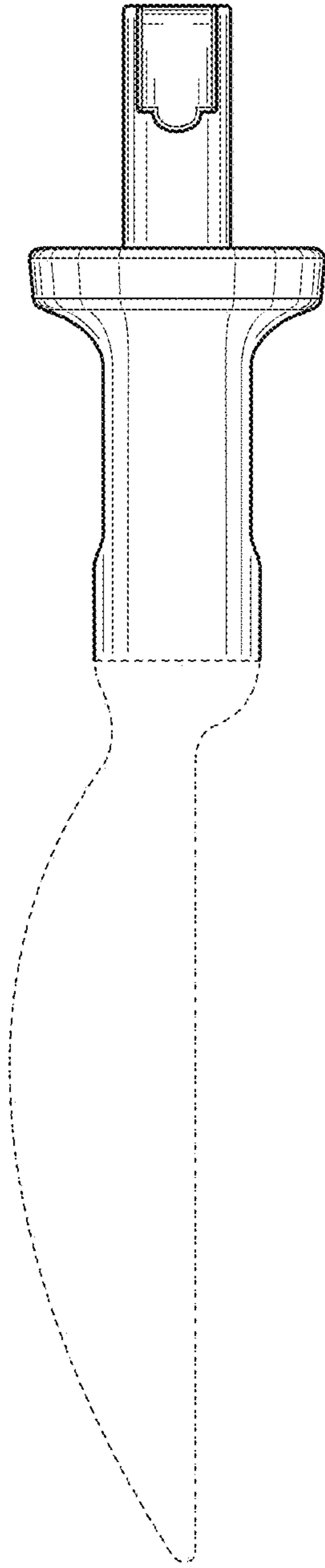


Fig. 5

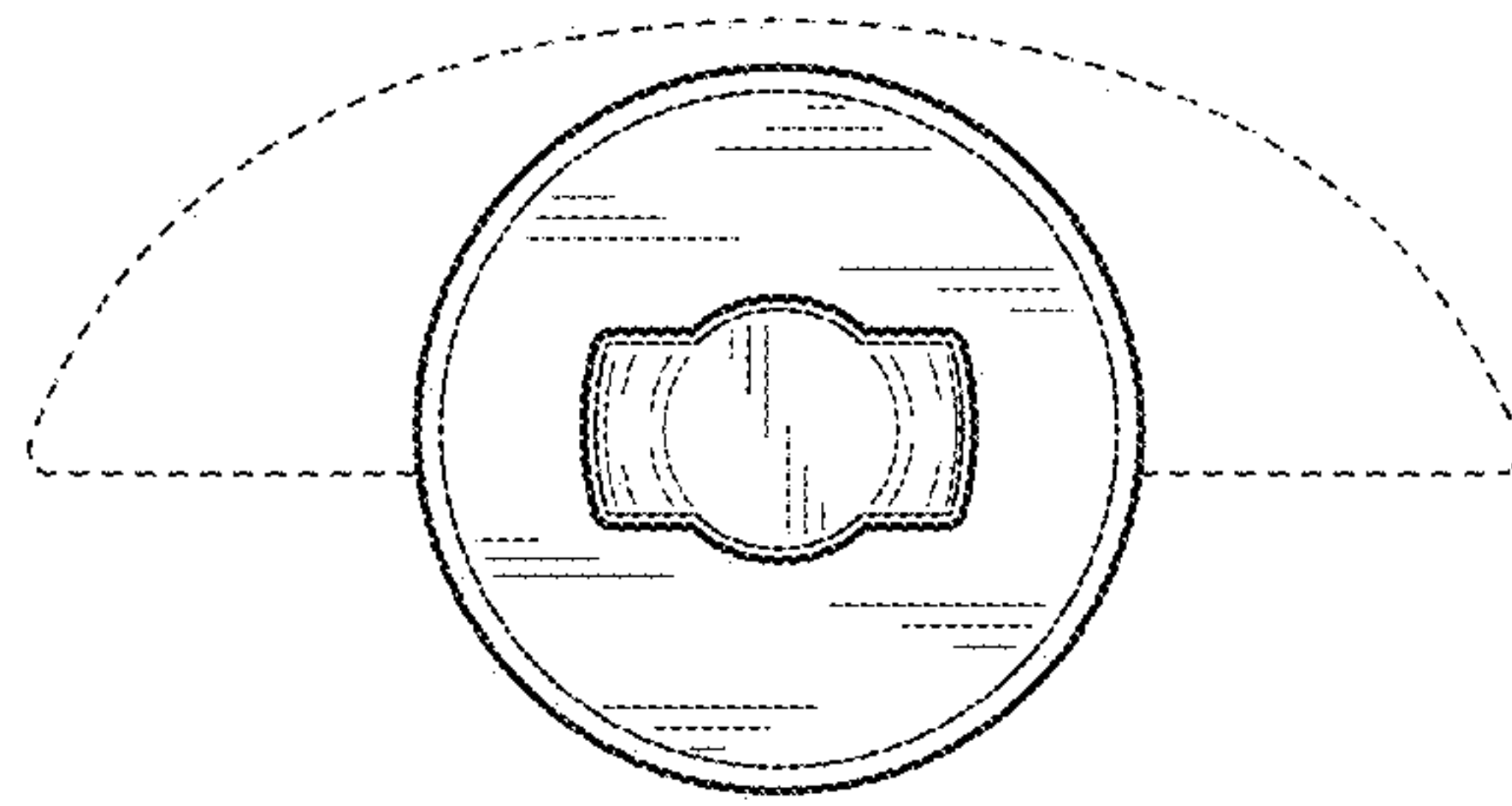


Fig. 6

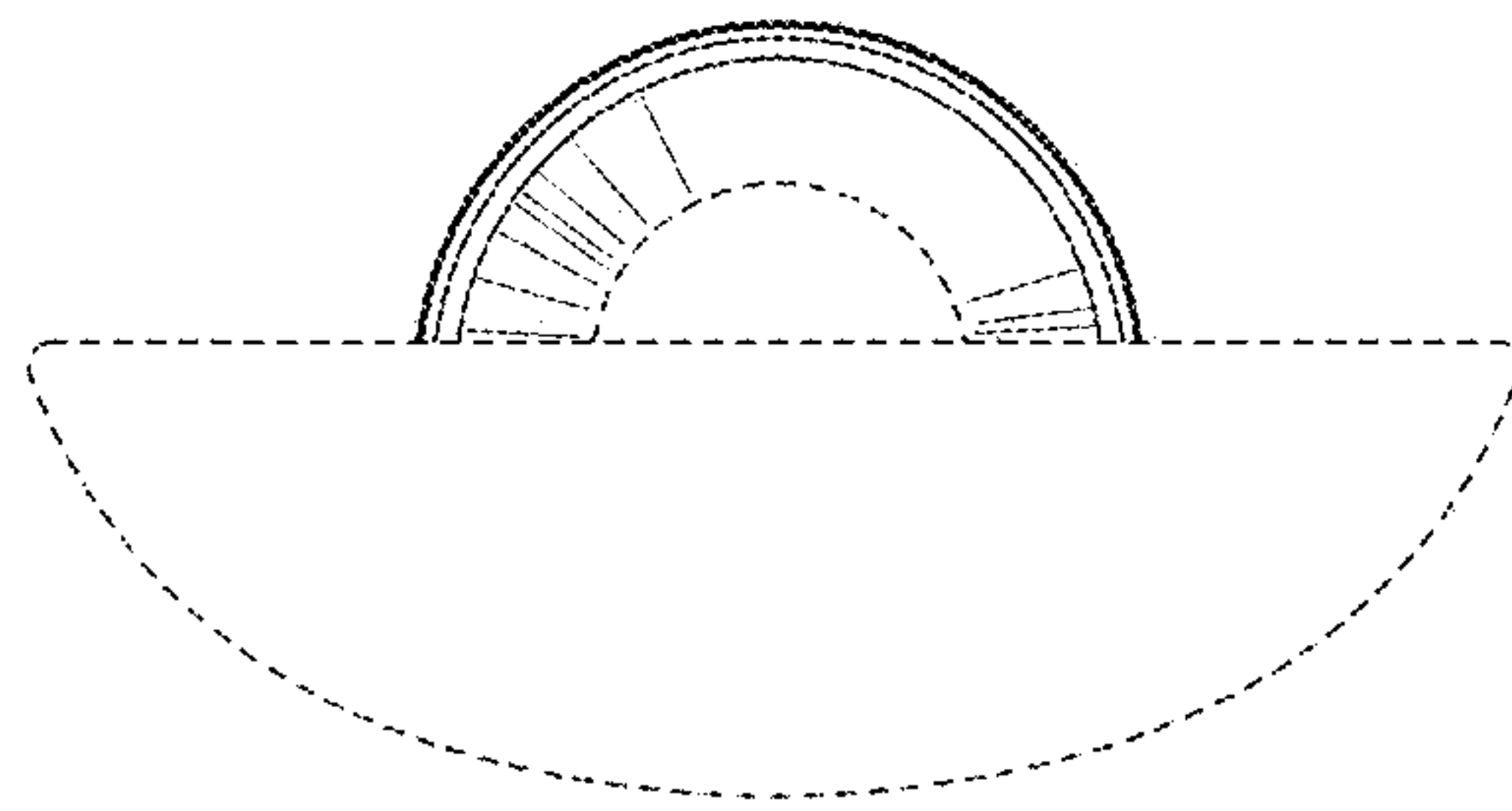


Fig. 7