



US00D874882S

(12) **United States Design Patent** (10) **Patent No.:** **US D874,882 S**
Pawluskiewicz et al. (45) **Date of Patent:** **** Feb. 11, 2020**

(54) **STORAGE TRAY**
(71) Applicant: **Spectrum Diversified Designs, LLC**,
Streetsboro, OH (US)
(72) Inventors: **Jan Pawluskiewicz**, Seattle, WA (US);
Matthew Frank, Seattle, WA (US);
Derek Veldkamp, Seattle, WA (US)
(73) Assignee: **SPECTRUM DIVERSIFIED**
DESIGNS, LLC, Streetsboro, OH (US)

D692,281 S * 10/2013 George D7/629
D697,095 S * 1/2014 Chan D15/90
D700,011 S * 2/2014 Duvigneau D7/391
D720,927 S * 1/2015 Liao D3/273
D730,699 S * 6/2015 Mok D7/602
D772,559 S * 11/2016 Binder D3/203.6
D798,597 S * 10/2017 Dietsche D3/294
D819,409 S * 6/2018 Newton D7/554.3
D820,629 S * 6/2018 Lum D7/354
D831,445 S * 10/2018 Karger D7/709
D846,604 S * 4/2019 Lopez D15/90
D854,379 S * 7/2019 Frank D7/553.3

(Continued)

(**) Term: **15 Years**

(21) Appl. No.: **29/657,932**

(22) Filed: **Jul. 26, 2018**

(51) **LOC (12) Cl.** **07-01**

(52) **U.S. Cl.**

USPC **D7/629**; D15/90

(58) **Field of Classification Search**

USPC D3/203.6, 205, 273, 274, 275, 276, 278,
D3/283, 284, 287, 289, 294, 297, 296,
D3/299, 302, 303, 901, 903, 905, 301,
D3/298; D7/550.1, 553.2, 554.3, 703,
D7/553.3; D15/90

CPC .. A45D 2033/001; A45D 33/00; A45D 44/18;
A45C 11/16; A45C 3/004; A45C
2003/008; A45C 5/005; A45C 2011/002;
A45C 15/04; A45C 2200/10; F25D
25/005; A47J 47/01

See application file for complete search history.

(56) **References Cited**

U.S. PATENT DOCUMENTS

3,135,101 A * 6/1964 Nigro F25C 5/185
62/344
D452,374 S * 12/2001 Kim D3/302
D514,954 S * 2/2006 Kim D9/757
D528,357 S * 9/2006 Hsu D7/392.1
D657,203 S * 4/2012 Pallotto D7/629

OTHER PUBLICATIONS

Amazon, "Komax Ice Cube Tray with No-spill Cover", First on sale
Oct. 16, 2015. (<https://www.amazon.com/Komax-Cube-Tray-No-spill-Cover/dp/B016QR5ZA0>) (Year: 2015).*

(Continued)

Primary Examiner — April Rivas

(74) *Attorney, Agent, or Firm* — Tucker Ellis LLP

(57)

CLAIM

The ornamental design for a storage tray, as shown and
described.

DESCRIPTION

FIG. 1 is a top perspective view of a storage tray showing
our new design with tabs in an unlocked position.

FIG. 2 is a bottom perspective view thereof.

FIG. 3 is a right side view thereof.

FIG. 4 is a left side view thereof.

FIG. 5 is a front view thereof.

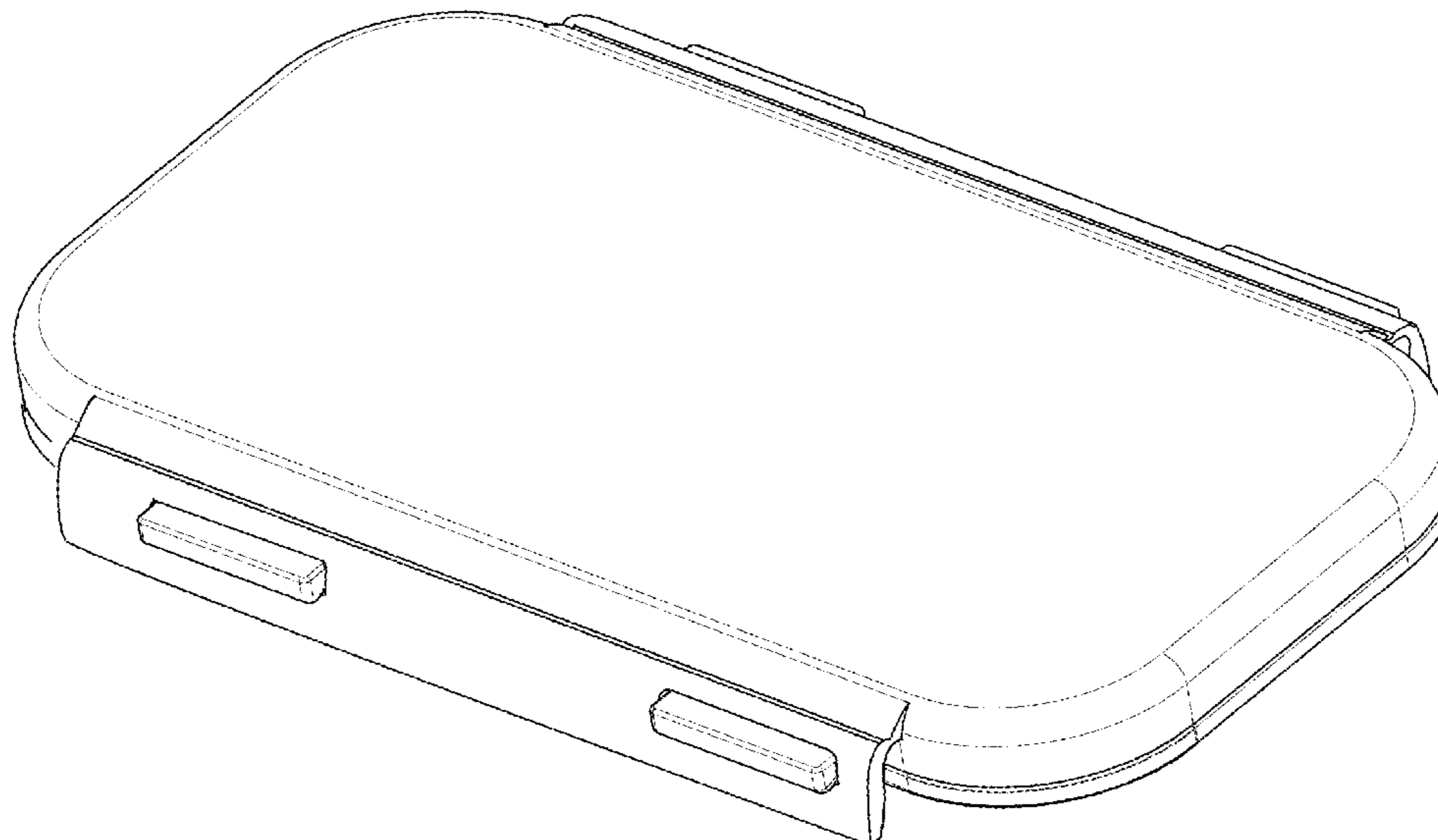
FIG. 6 is a rear view thereof.

FIG. 7 is a top view thereof.

FIG. 8 is a bottom view thereof; and,

FIG. 9 is a top perspective view of the storage tray with the
tabs in a locked position.

1 Claim, 9 Drawing Sheets



(56)

References Cited

U.S. PATENT DOCUMENTS

D855,407 S * 8/2019 Frank D7/553.3
2016/0054049 A1* 2/2016 Harvie F25D 25/005
426/383

OTHER PUBLICATIONS

Amazon, "OXO Good Grips No-Spill Ice Cube Tray with Silicone Lid, 8.8 oz., White/Blue", First on sale Apr. 2, 2012. (<https://www.amazon.com/OXO-Grips-No-Spill-Silicone-White/dp/B007U256D2>) (Year: 2012).*

Amazon, "Tovolo 81-32705 Clove Storing Chopped, Minced and Crushed Garlic Freezer Tray, One, Spring Green", First on sale Mar. 22, 2019. (<https://www.amazon.com/Tovolo-81-30237-Garlic-Deodorizer-Stainless/dp/B07L3MJTST?th=1>) (Year: 2019).*

* cited by examiner

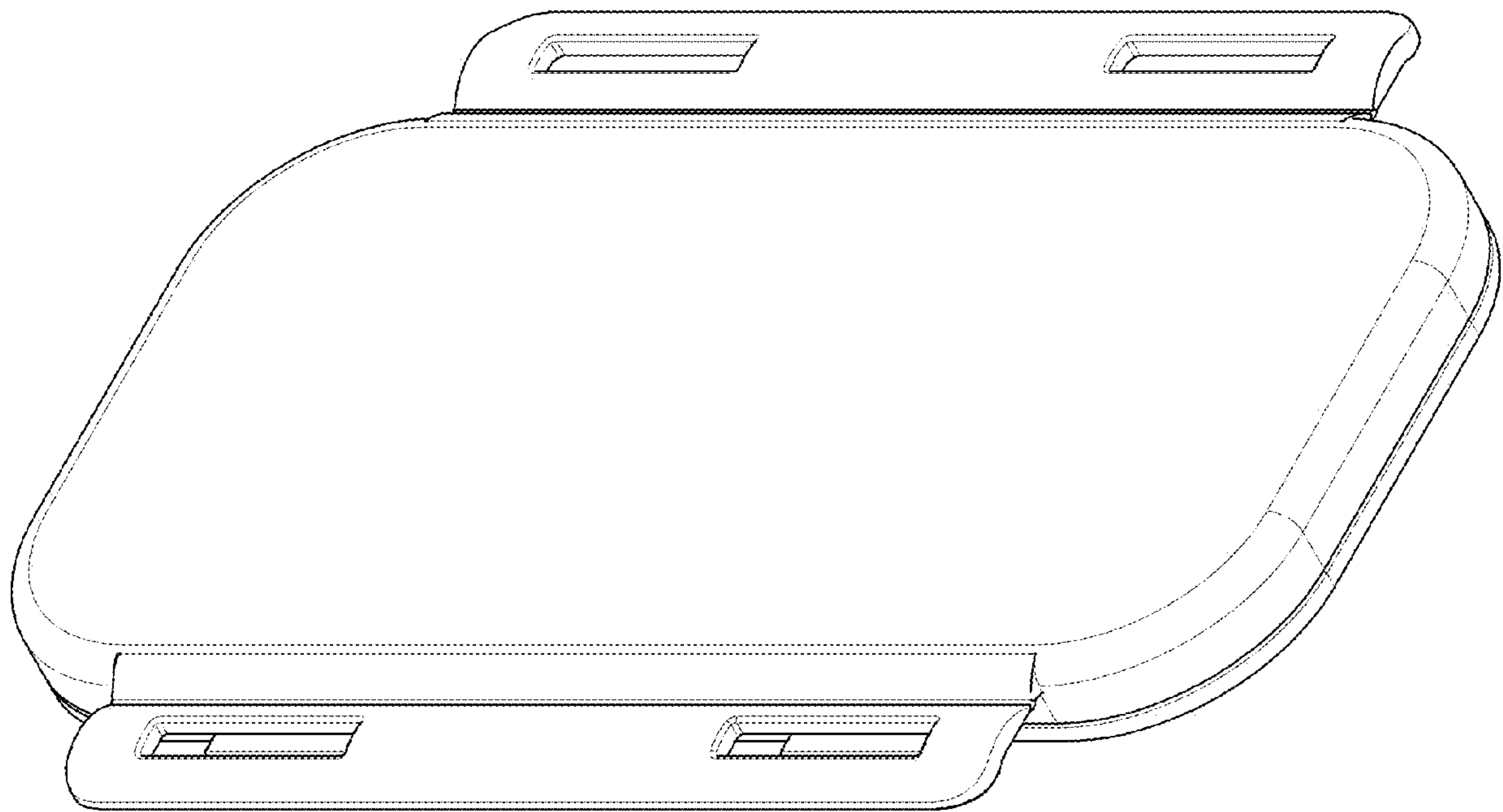


Fig.1

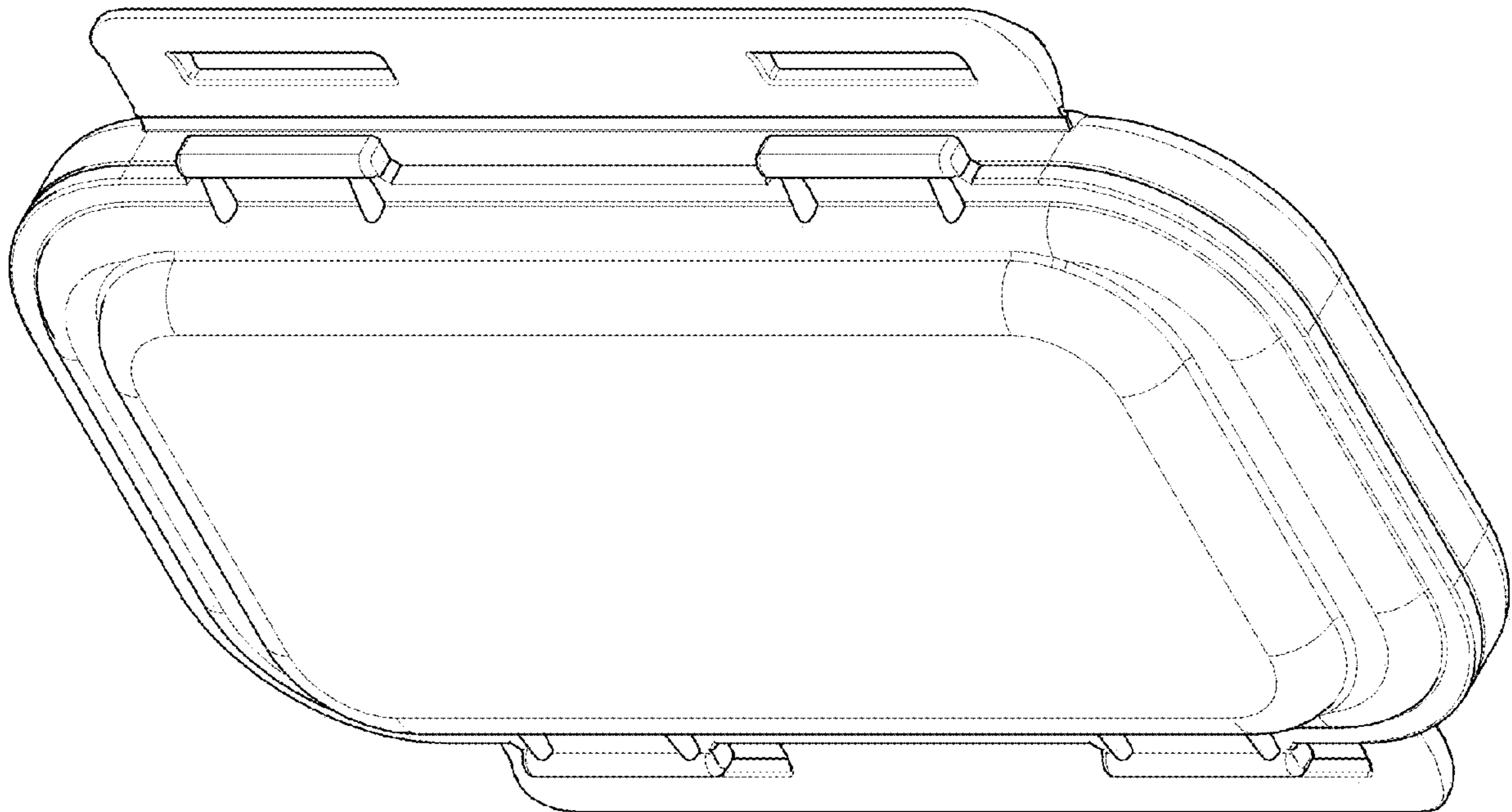


FIG. 2

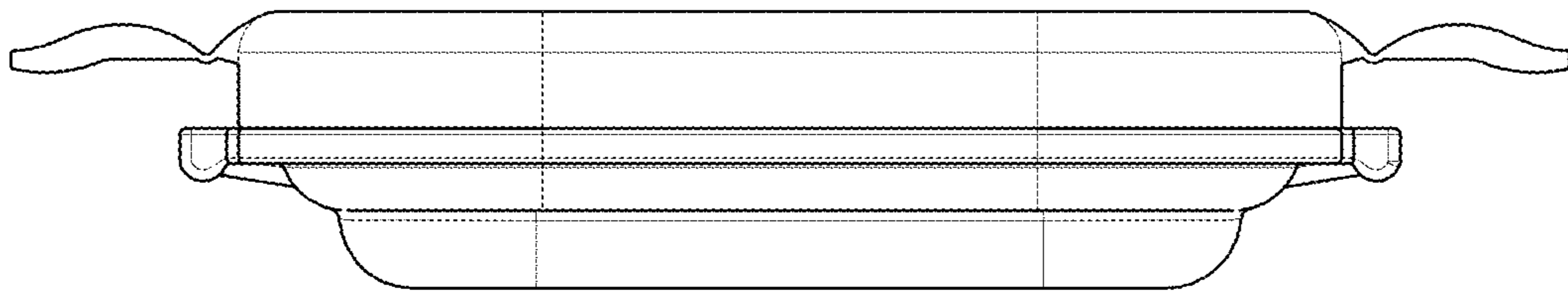


FIG. 3

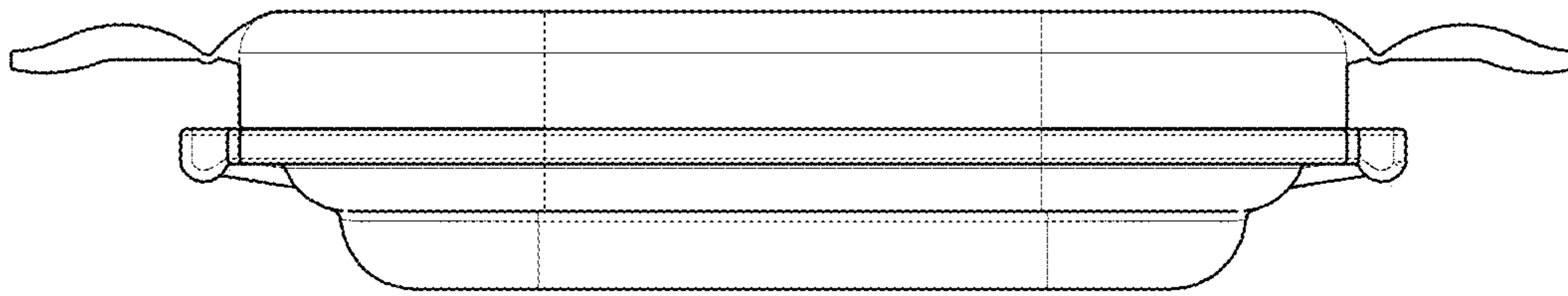


FIG. 4

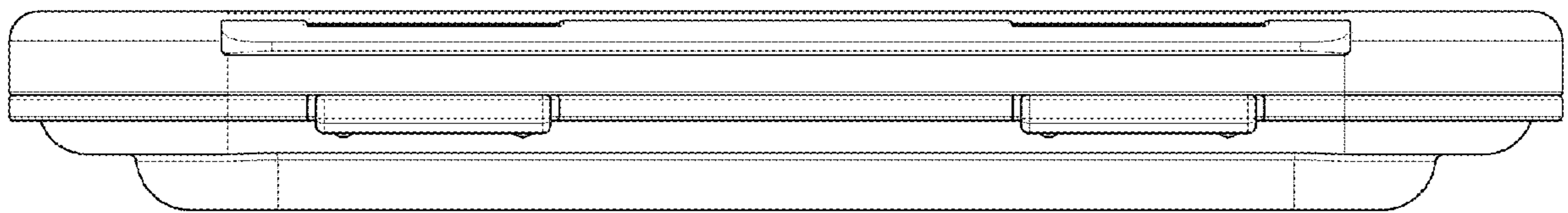


FIG. 5

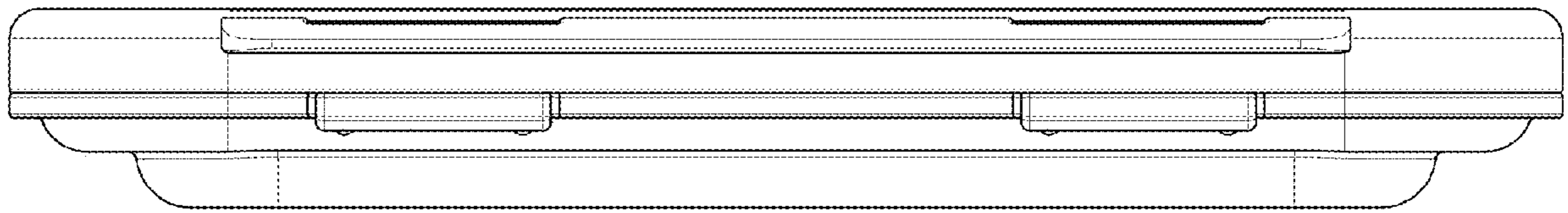


FIG. 6

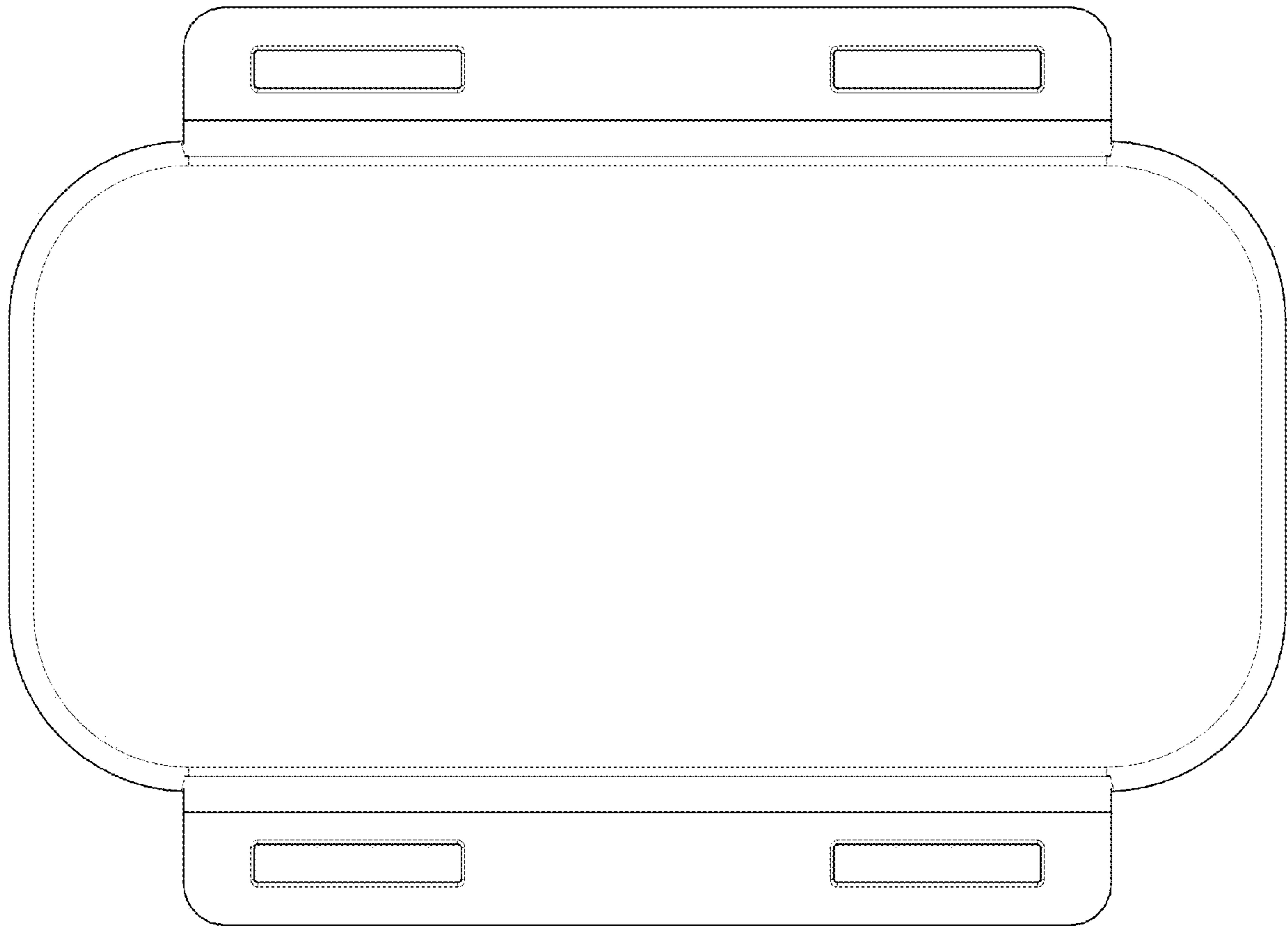


FIG. 7

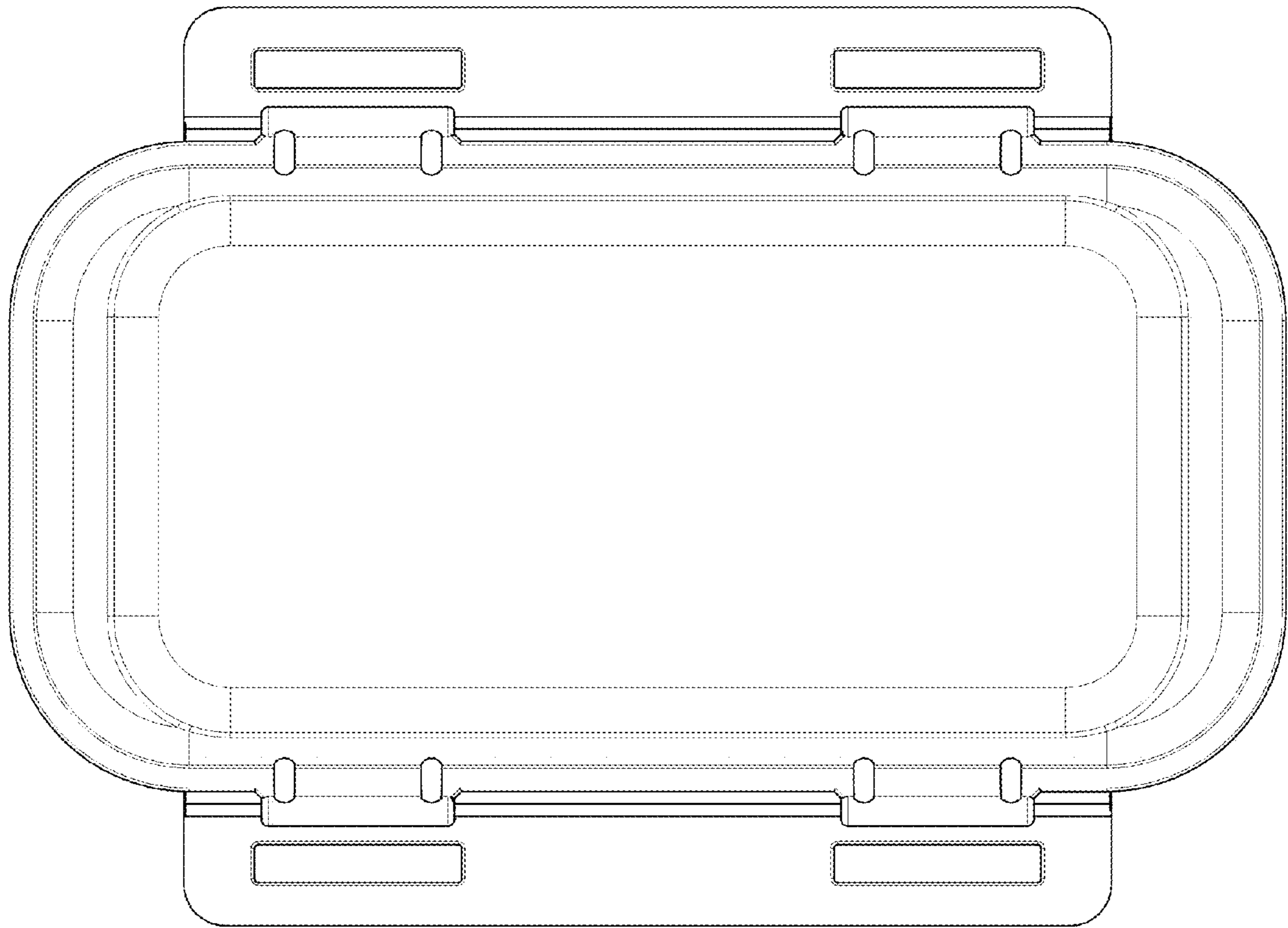


FIG. 8

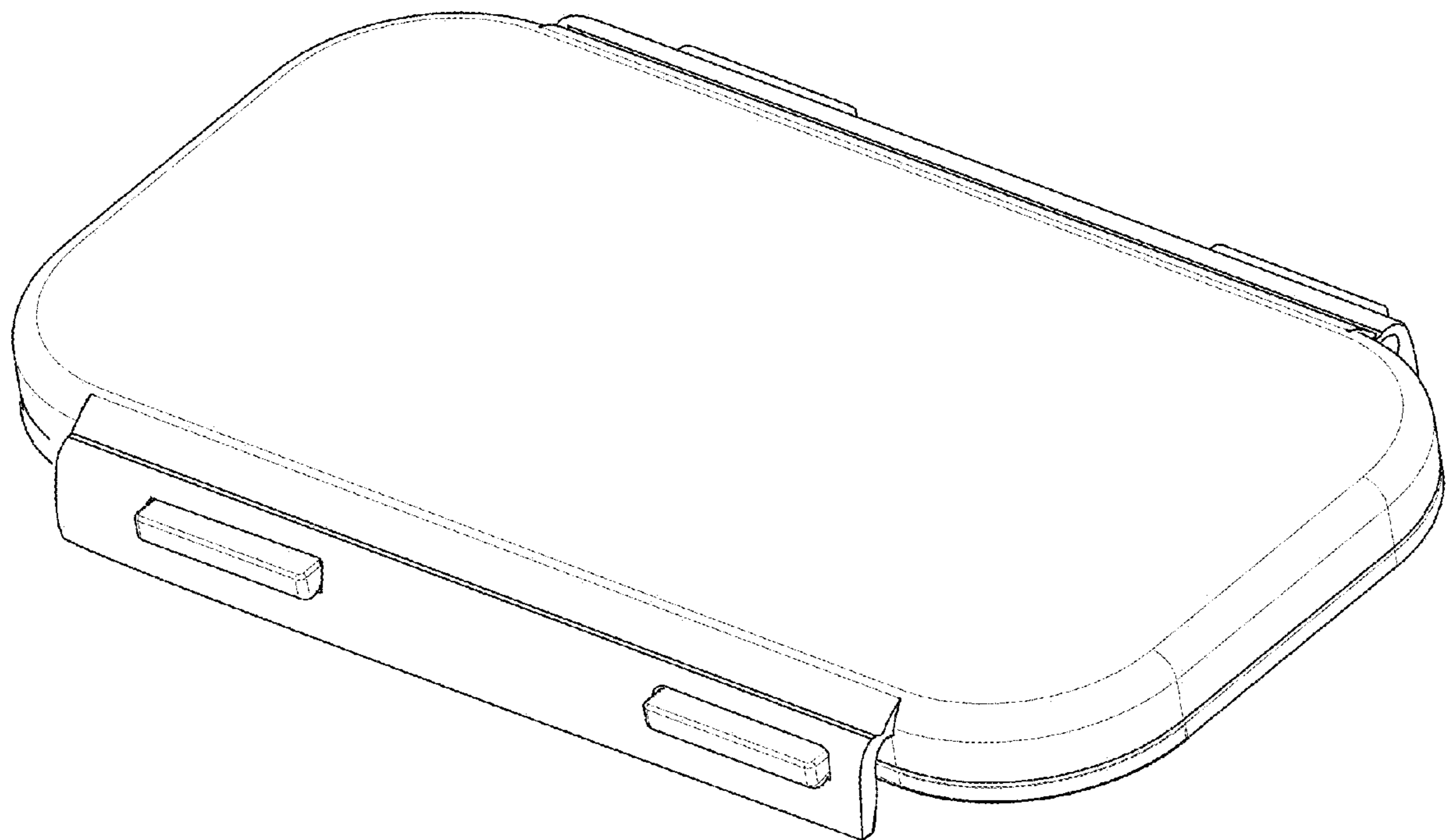


FIG. 9