



US00D874881S

(12) **United States Design Patent**
Mastronardi

(10) **Patent No.:** **US D874,881 S**

(45) **Date of Patent:** **** Feb. 11, 2020**

(54) **CONTAINER**

D628,864 S * 12/2010 Zeilinger D7/676
D751,887 S * 3/2016 Vanlerberghe D8/382
D794,990 S 8/2017 Vazin

(71) Applicant: **Mastronardi Produce Ltd.**, Kingsville (CA)

(72) Inventor: **Paul Mastronardi**, Leamington (CA)

(73) Assignee: **MASTRONARDI PRODUCE LTD.**, Kingsville, Ontario (CA)

(**) Term: **15 Years**

(21) Appl. No.: **29/673,245**

(22) Filed: **Dec. 13, 2018**

(51) **LOC (12) Cl.** **07-01**

(52) **U.S. Cl.**
USPC **D7/628**

(58) **Field of Classification Search**
USPC D7/602–604, 605–607, 610, 612, 613,
D7/628, 672, 354; D9/617, 655, 659,
D9/416, 424, 425, 430, 431
CPC ... B65D 1/00; B65D 1/26; B65D 1/40; B65D
43/02; B65D 5/20; B65D 5/2028; B65D
2543/00; B65D 2543/00092; B65D
81/3205

See application file for complete search history.

(56) **References Cited**

U.S. PATENT DOCUMENTS

D206,338 S * 11/1966 Levin D7/675
D247,876 S * 5/1978 Garson D9/425
D249,112 S * 8/1978 Garson D7/354
D431,774 S * 10/2000 Davis D11/118
D455,318 S * 4/2002 Miller D7/602
D526,836 S * 8/2006 Morgan D7/354
D540,616 S * 4/2007 Nichols D7/354
D546,120 S * 7/2007 Nichols D7/391
D551,976 S * 10/2007 Daniels D9/456
D557,603 S * 12/2007 Sarnoff D9/451
D628,862 S * 12/2010 Zeilinger D7/354

OTHER PUBLICATIONS

Schmids's—10 Piece Assorted Christmas Tree Box; <https://www.schmidschocolate.com/shop/holiday-chocolates/christmas-chocolates/10-piece-assorted-chocolate-christmas-tree-box/>; 1 page; Oct. 4, 2018.

Meiko Tins Industries Co., Ltd.—Christmas round.star,tree shape set gift tin box; <https://www.ecvv.com/product/4576308.html>; 1 page; Sep. 17, 2017.

LULA Microwavable Plastic Containers 4 in 1 Christmas Tree Shape Nestable Custom Snack Boxes; https://www.alibaba.com/product-detail/LULA-Microwavable_Plastic_Containers_4_in_60785335531.html; 1 page; Oct. 4, 2018.

Plush Christmas Tree Container Plastic; <http://ithinkdifferently.me/christmas-tree-container.html>; 1 page; Oct. 4, 2018.

(Continued)

Primary Examiner — Derrick E Holland

Assistant Examiner — Andrew Kerr

(74) *Attorney, Agent, or Firm* — Dinsmore & Shohl LLP

(57) **CLAIM**

The ornamental design for a container, as shown and described.

DESCRIPTION

FIG. 1 is a bottom and side perspective view of a container, showing our new design;

FIG. 2 is a bottom plan view thereof;

FIG. 3 is a top plan view thereof;

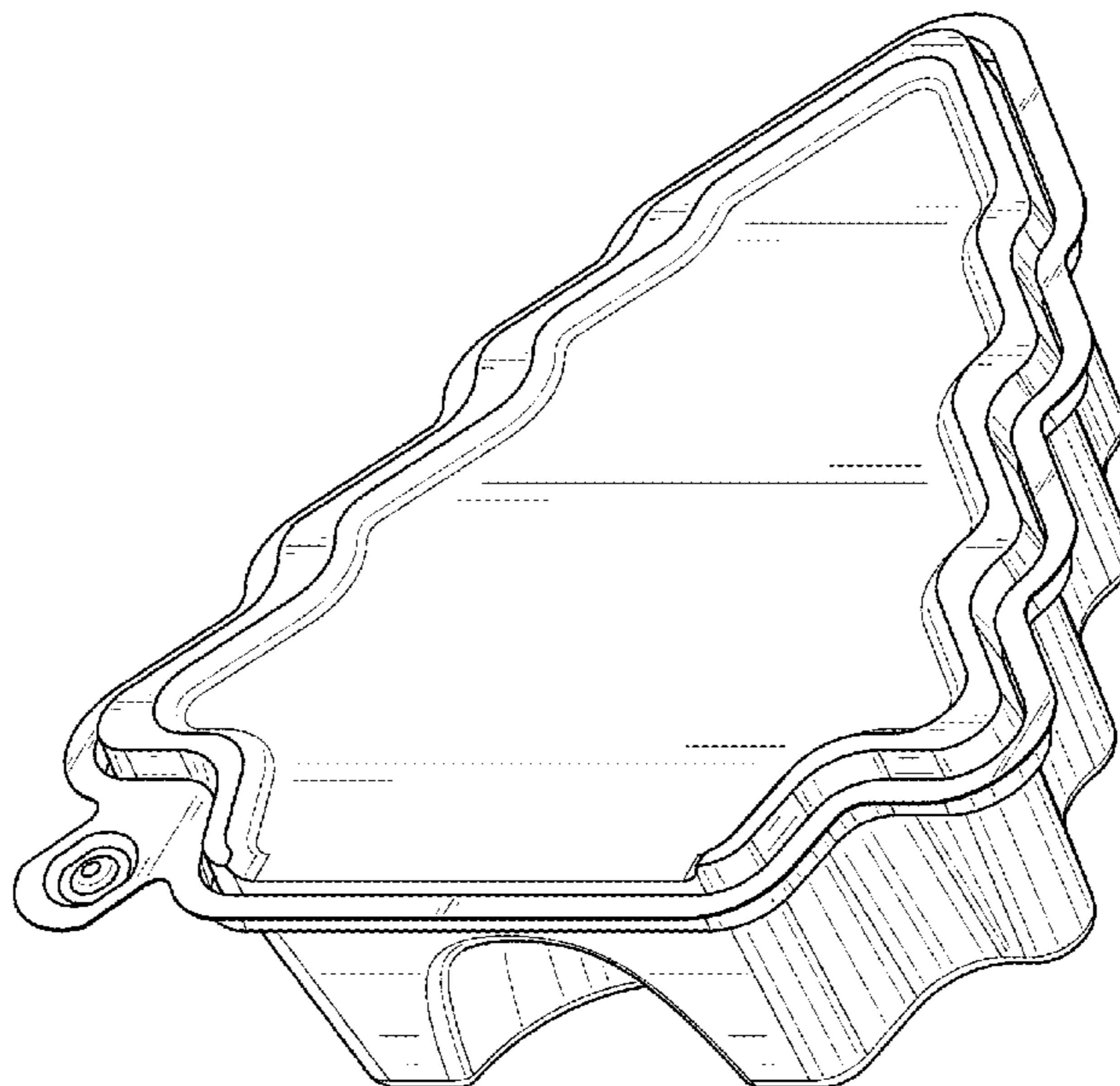
FIG. 4 is a left side elevation view thereof;

FIG. 5 is a right side elevation view thereof; and

FIG. 6 is a front elevation view thereof; and,

FIG. 7 is a rear elevation view thereof.

1 Claim, 7 Drawing Sheets



(56)

References Cited

OTHER PUBLICATIONS

Big Size Christmas Tree Shaped Decorative Tin Containers; <http://www.maxtinbox.com/Big-Size-Christmas-Tree-Shaped-Decorative-Tin-Containers.html>; 1 page; Dec. 31, 2016.

Best quality christmas tree shaped clear plastic candy box wholesale; https://www.alibaba.com/product-detail/Best-quality-christmas-tree-shaped-clear_60212848931.html; 1 page; Oct. 4, 2018.

40 vintage Jingle Bells in tree shaped container—vintage supplies; <https://www.etsy.com/listing/555514907/40-vintage-jingle-bells-in-tree-shaped>; 1 page; Oct. 14, 2018.

10 pcs/lot Christmas Tree Shaped Plastic Flower Preservation Container Transparent Wedding Candy Box Creative Home Tree Ornaments; <https://www.aliexpress.com/item/10pcs-lot-Christmas-Tree-Shaped-Plastic-Flower-Preservation-Container-Transparent-Wedding-Candy-Box-Creative-Home-Tree/32798742719.html>; 1 page; Oct. 4, 2018.

Christmas tree shaped container; <https://www.varagesale.com/i/qacp2xy4-christmas-tree-shaped-container>; 1 page; Oct. 4, 2018.

Durable Packaging 9501X-C50 Christmas Tree Foil Pan and Plastic Lid Combo Kit; <https://www.webstaurantstore.com/durable-packaging-9501x-c50-christmas-tree-foil-pan-and-plastic-lid-combo-kit-pack/9999501XC50.html>; 1 page; Jan. 3, 2013.

* cited by examiner

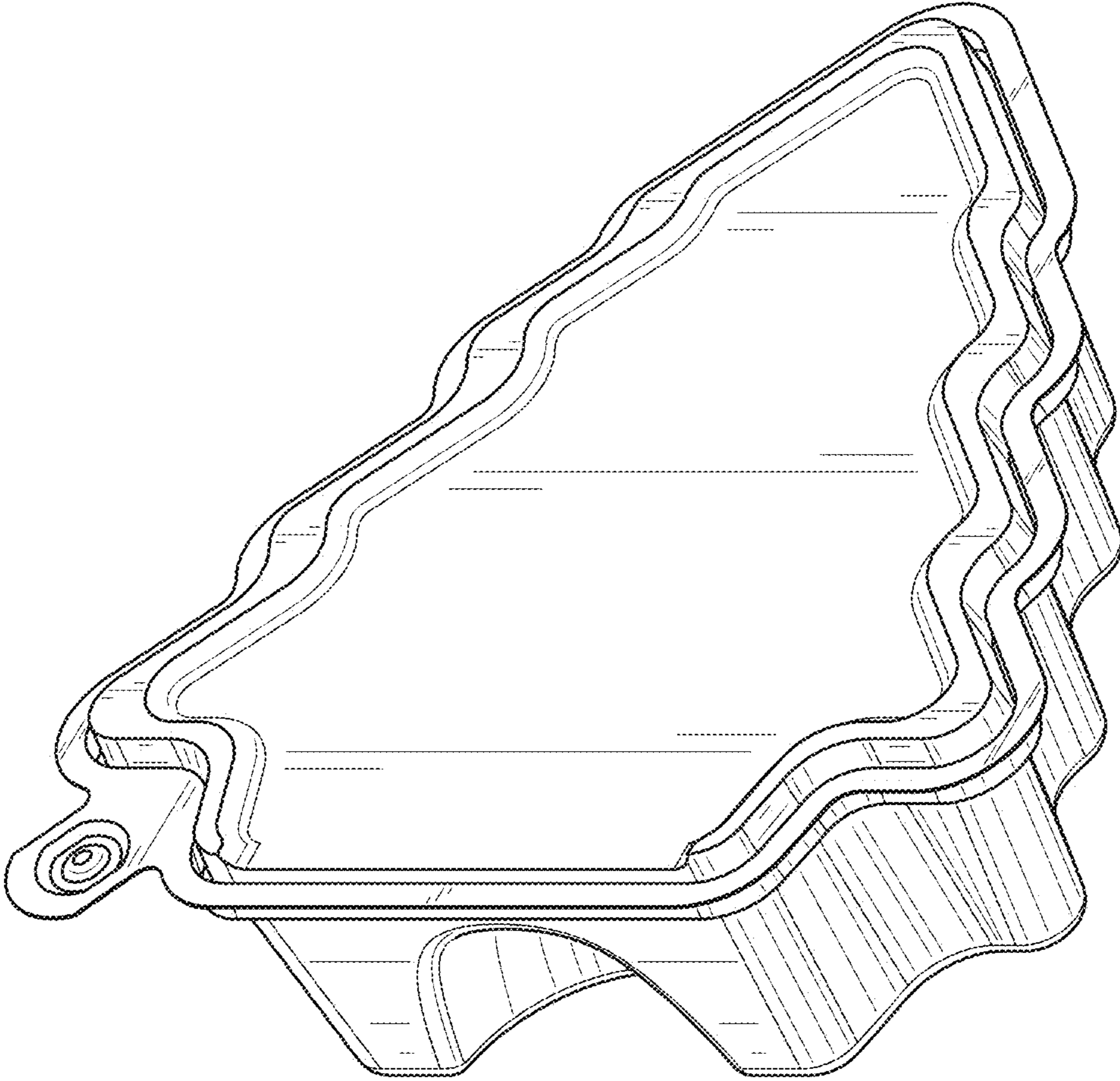


FIG. 1

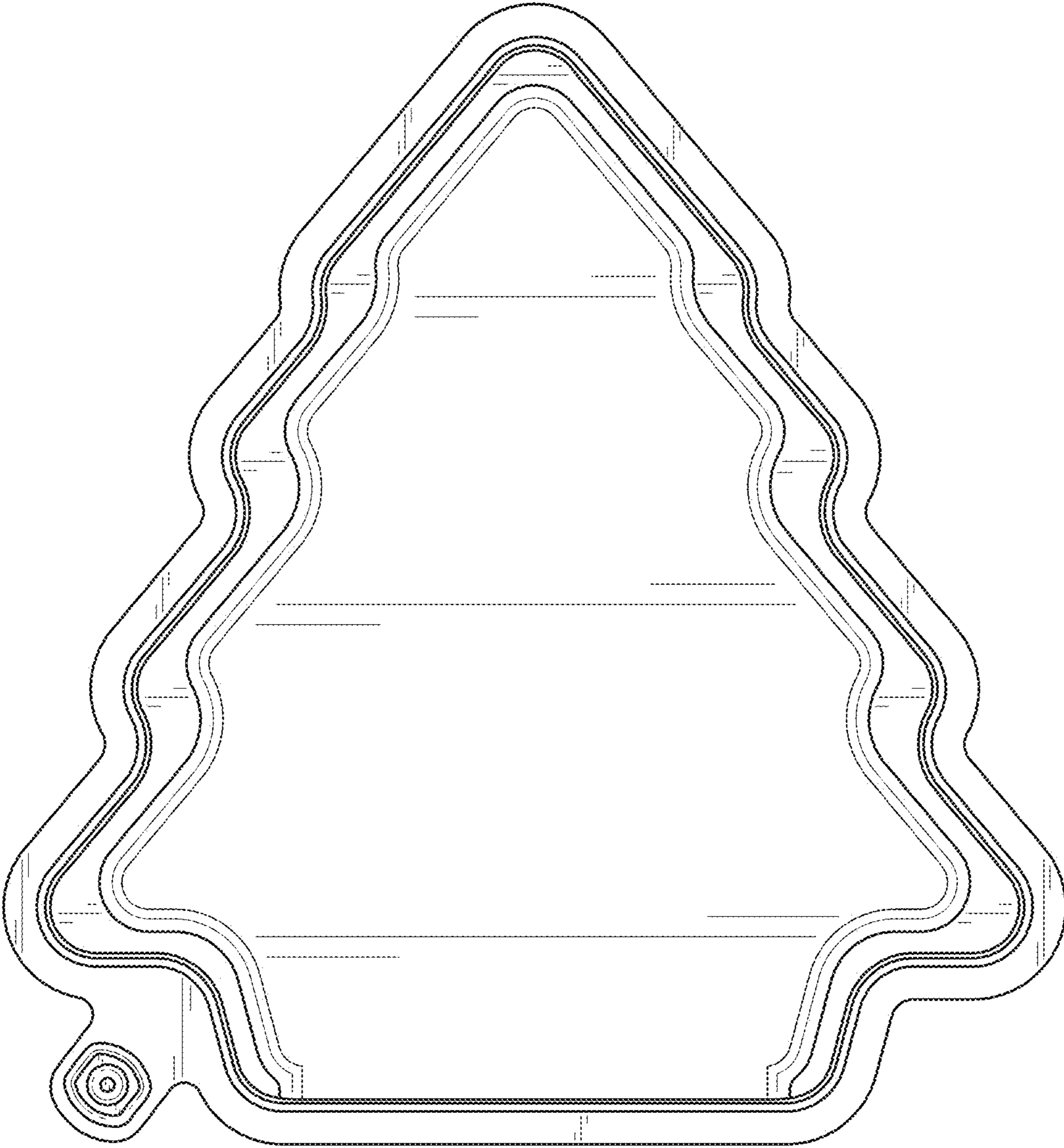


FIG. 2

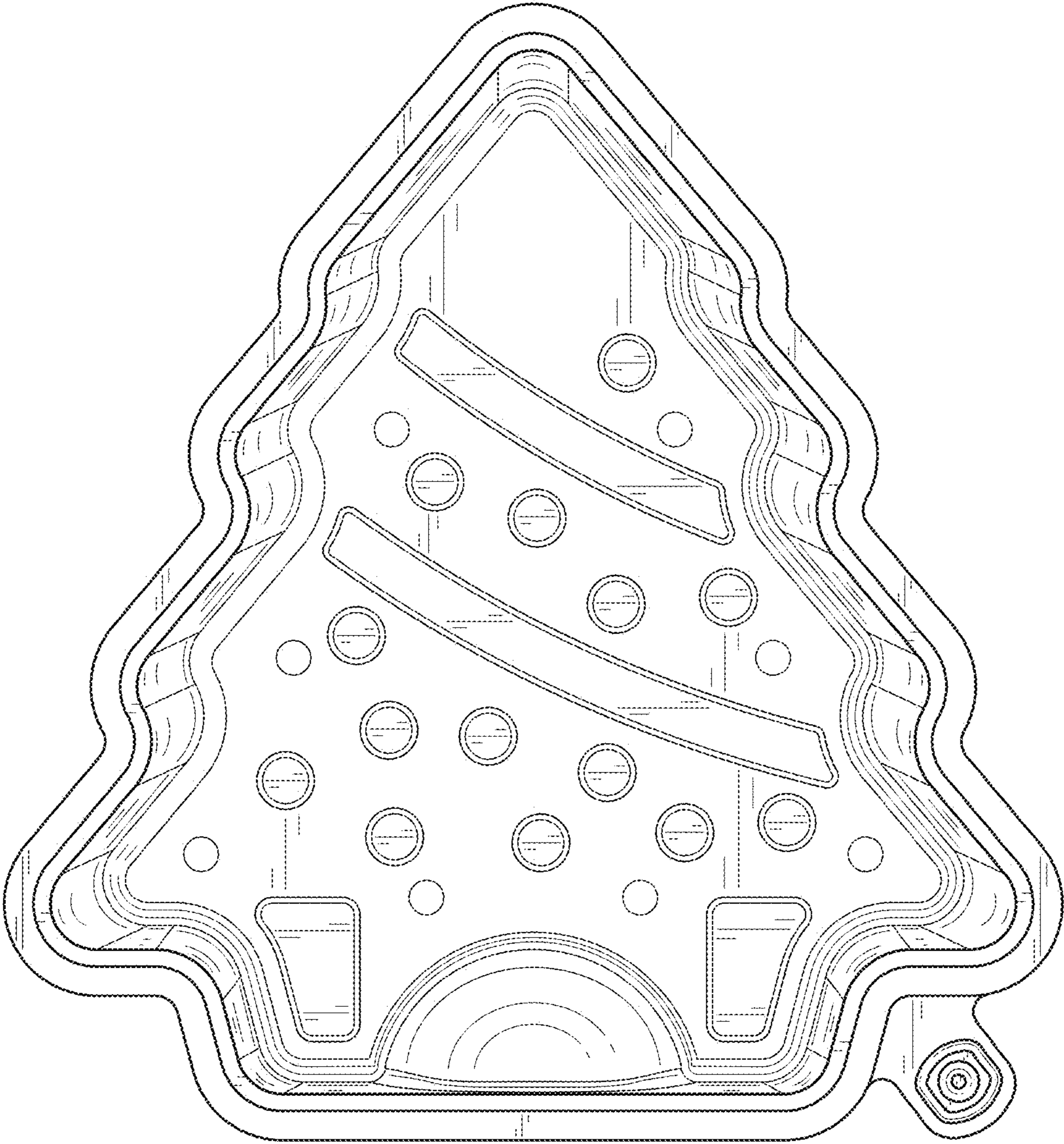


FIG. 3

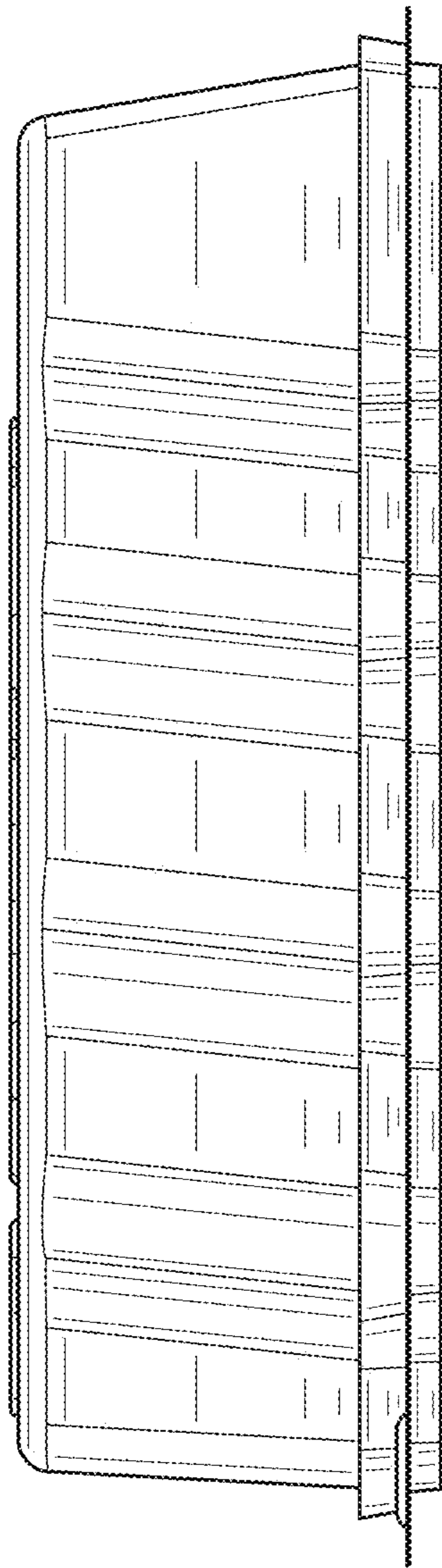


FIG. 4

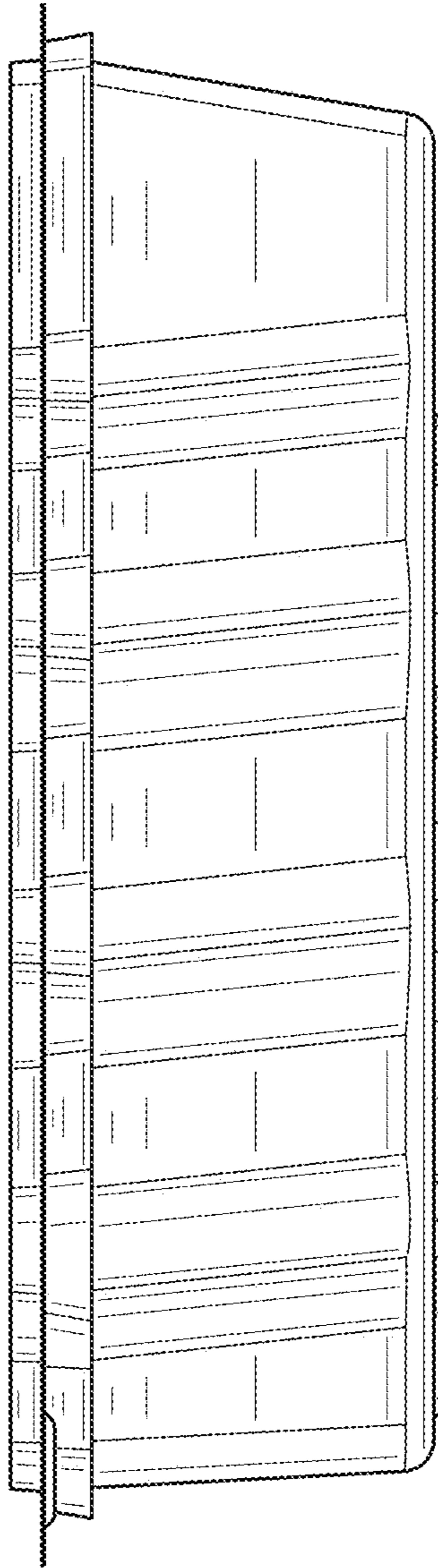


FIG. 5

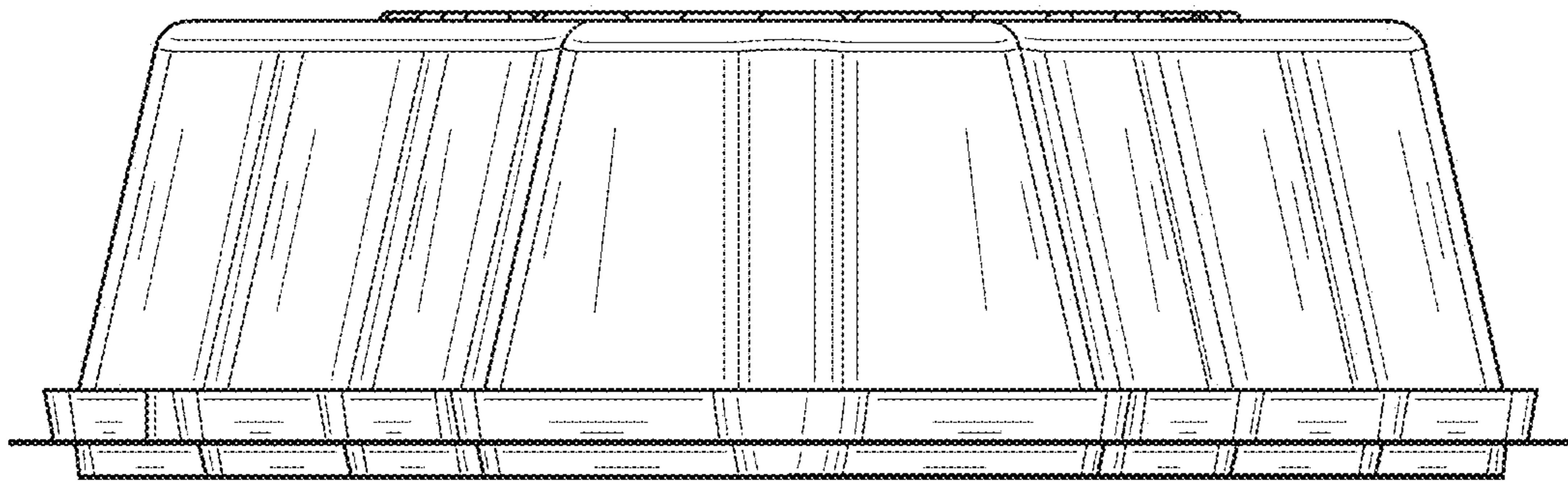


FIG. 6

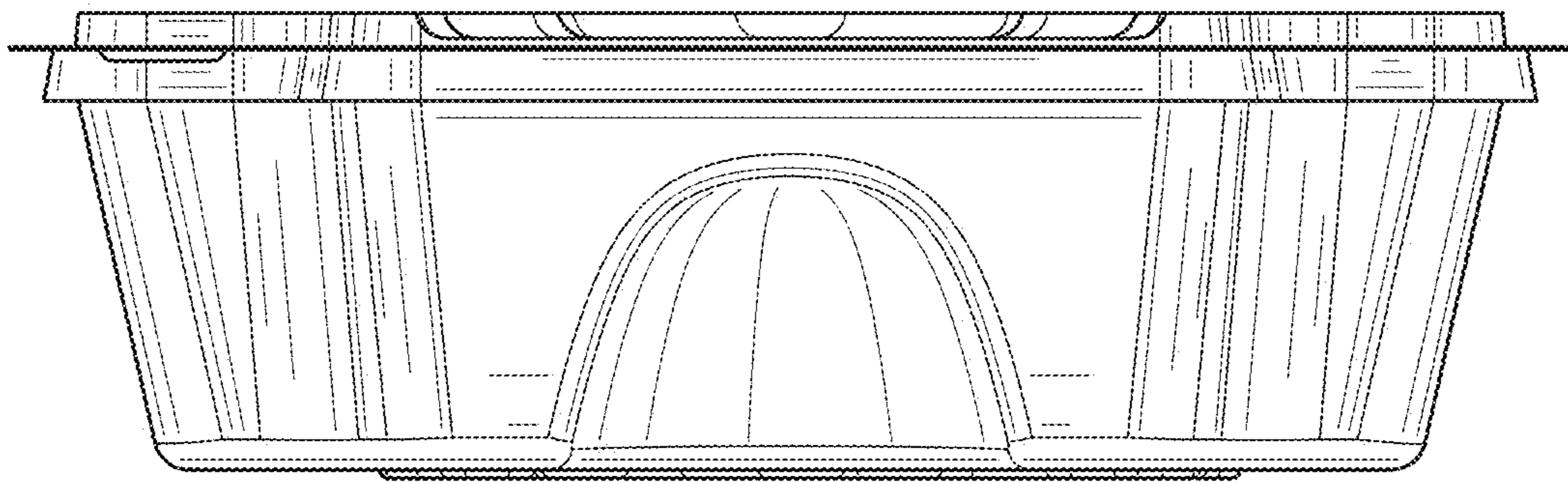


FIG. 7