

US00D874878S

(12) **United States Design Patent** (10) **Patent No.:** **US D874,878 S**  
**Morgan** (45) **Date of Patent:** **\*\* Feb. 11, 2020**

(54) **MOUNTABLE HANDLE**

(71) Applicant: **Jay William Morgan**, Benton, AR (US)

(72) Inventor: **Jay William Morgan**, Benton, AR (US)

(\*\*) Term: **15 Years**

(21) Appl. No.: **29/611,850**

(22) Filed: **Jul. 26, 2017**

(51) **LOC (12) Cl.** ..... **09-03**

(52) **U.S. Cl.**  
USPC ..... **D7/622**

(58) **Field of Classification Search**  
USPC ..... D8/321, 359, 374, 375, 376, 377, 400, D8/61, 64, 70, 363, 381, 354, 349, 403, D8/57, 69, 310; D3/276; D6/587; D7/318, 393, 600, 622, 705, 624.1, 502, D7/553.1, 553.2, 553.4, 553.5, 553.6, D7/554.2, 554.3; D9/531; D14/238, 373, D14/448, 451, 452; D25/38.1, 41.1, 43, D25/48.2, 48.3

CPC ..... Y10T 16/10; Y10T 16/104; Y10T 16/124; Y10T 16/1263; Y10T 16/127; Y10T 16/131; Y10T 16/14; Y10T 16/35; Y10T 16/3543; Y10T 16/37; Y10T 16/376; Y10T 16/379; Y10T 16/387; Y10T 24/44573; Y10T 29/53543; Y10T 137/6903; Y10T 16/372; Y10T 16/375; Y10T 16/378; Y10T 16/3797; Y10T 16/18; Y10T 16/1853; Y10T 16/1857; Y10T 16/186; Y10T 16/209; Y10T 16/1937; A47H 1/02; B60B 7/20; B60B 19/06; B60B 37/10; B60B 2200/43; B60B 33/02; B60B 11/00; B64F 1/32; B65G 1/04; B65G 17/20; A47F 7/14; A47F 7/16; A47F 7/143; A47F 5/08; A47F 5/0807; A47F 5/0815; A47F 5/0838; A47F

(Continued)

(56) **References Cited**

U.S. PATENT DOCUMENTS

D126,408 S \* 4/1941 Trollen ..... D8/57  
3,202,309 A \* 8/1965 Simpson ..... A47G 23/0241  
215/395

(Continued)

OTHER PUBLICATIONS

Yeti Rambler Bottle Chug Cap, Fits 18/26/36/64 oz Bottles, posted as early as Aug. 4, 2017, [retrieved Sep. 22, 2019]. Retrieved from Internet, <URL: <https://www.amazon.com/YETI-Rambler-Bottle-Chug-Bottles/dp/B07233837H> >.\*

*Primary Examiner* — Karen E Kearney

*Assistant Examiner* — Kristin E Reed

(74) *Attorney, Agent, or Firm* — Dunlap Bennett & Ludwig PLLC

(57) **CLAIM**

The ornamental design for a mountable handle, as shown and described.

**DESCRIPTION**

FIG. 1 is a perspective view of a mountable handle, showing my new design;

FIG. 2 is a front elevation view thereof;

FIG. 3 is a rear elevation view thereof;

FIG. 4 is a top plan view thereof, the bottom plan view being a mirror image thereof;

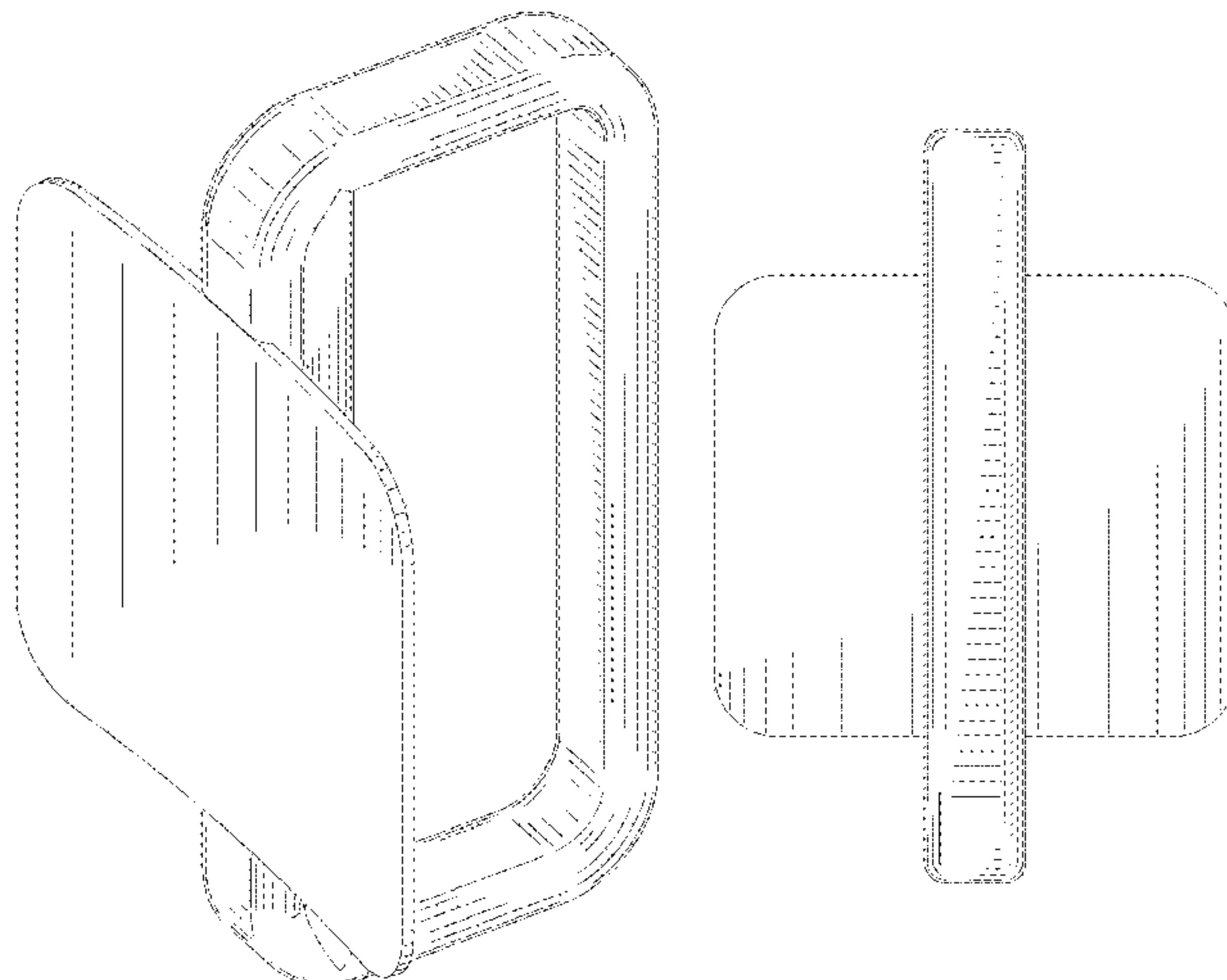
FIG. 5 is a left elevation view thereof, the right elevation view being a mirror image thereof;

FIG. 6 is a perspective view of the mountable handle, shown in use; and,

FIG. 7 is a section view of FIG. 5, taken along line 7-7; a section view in the diametrically opposite direction would be an identical image thereof.

The broken lines showing a container in FIG. 6 depicts environmental subject matter that forms no part of the claimed design.

**1 Claim, 4 Drawing Sheets**



(58) **Field of Classification Search**

CPC ..... 5/0846; A47F 5/0853; A47F 5/105; H04N  
1/00522; H04N 1/00533; H04N 1/00538;  
G06F 1/1637; G06F 1/1607; G06F  
1/1647; G06F 1/1692; G06F 3/1446;  
G06F 3/147; G06F 3/1423; A47G 1/141;  
A47G 29/00; F16M 11/26

See application file for complete search history.

(56) **References Cited**

U.S. PATENT DOCUMENTS

D331,355 S \* 12/1992 Viemeister ..... D8/57  
D455,263 S \* 4/2002 Schoen ..... D3/276  
6,729,665 B1 \* 5/2004 Posey ..... B65D 23/106  
215/396  
D617,640 S \* 6/2010 Jones ..... D9/455  
D650,232 S \* 12/2011 Gilbert ..... D7/510  
9,021,662 B1 \* 5/2015 Jones ..... B25G 1/102  
16/422  
D740,618 S \* 10/2015 Knoll ..... D7/622  
D766,035 S \* 9/2016 Cox ..... D7/394  
D813,588 S \* 3/2018 McConnell ..... D7/318  
D817,065 S \* 5/2018 Chen ..... D7/318  
2004/0187265 A1 \* 9/2004 Ho ..... A47J 45/10  
16/422

\* cited by examiner

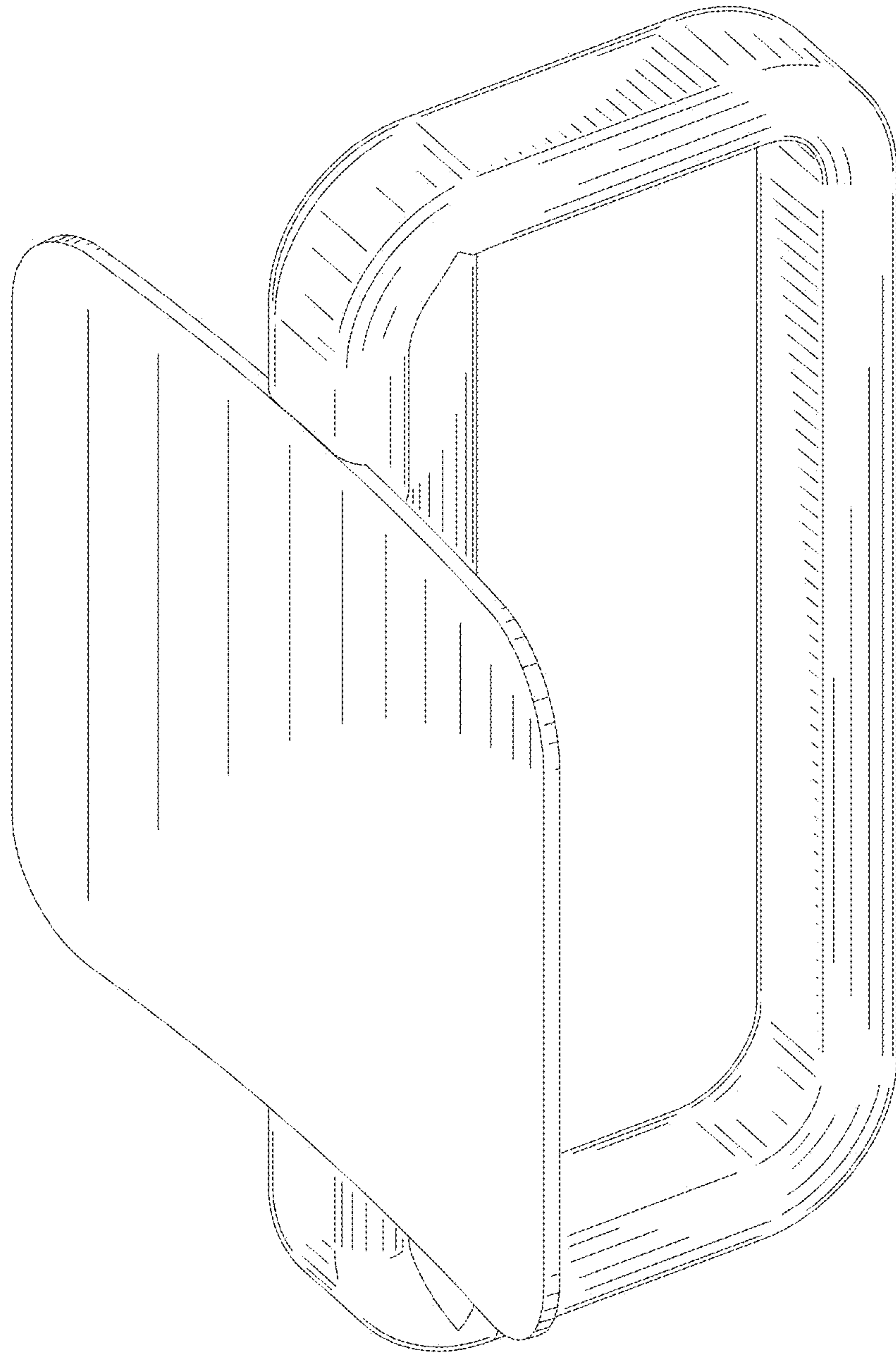


FIG. 1

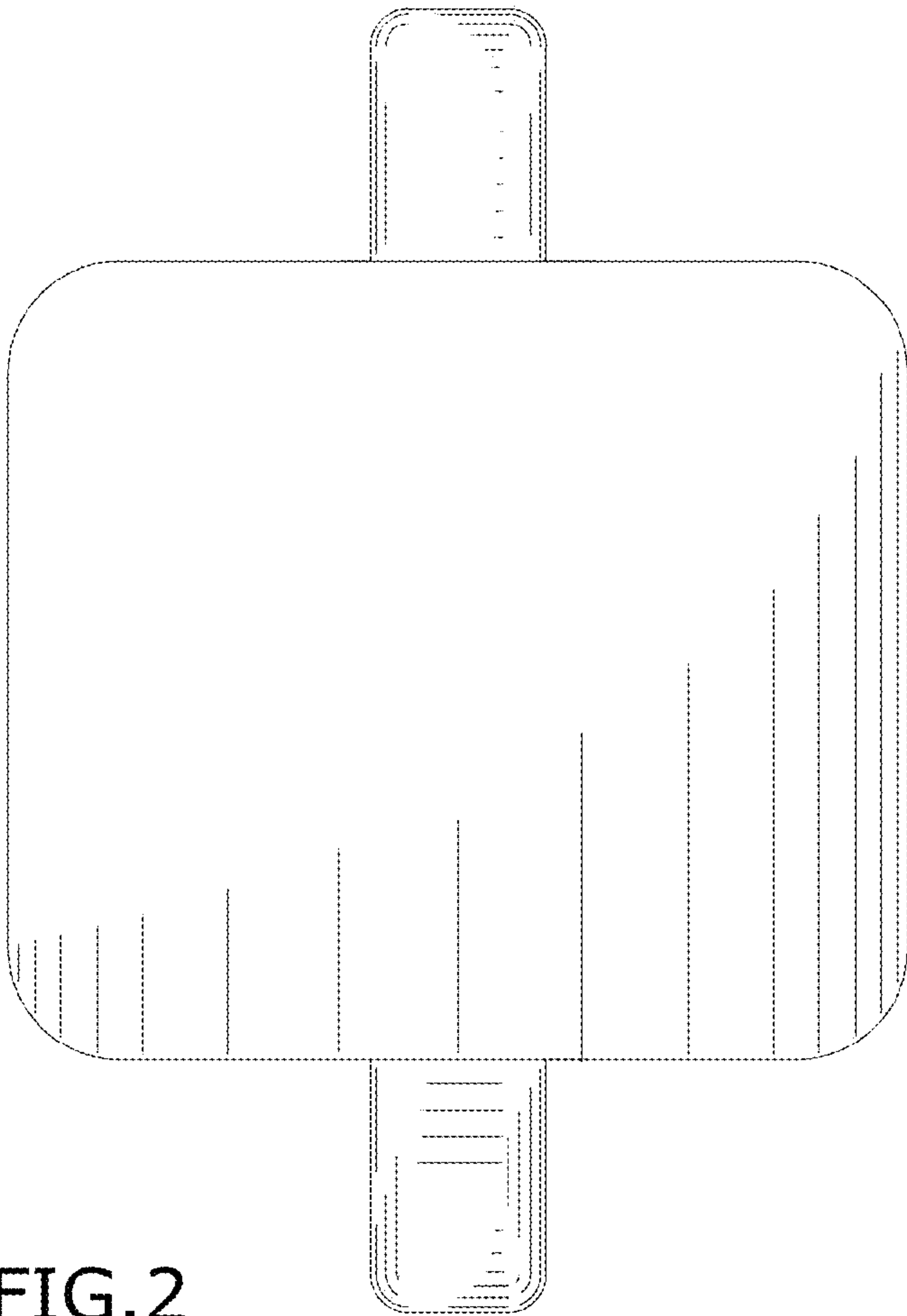


FIG. 2

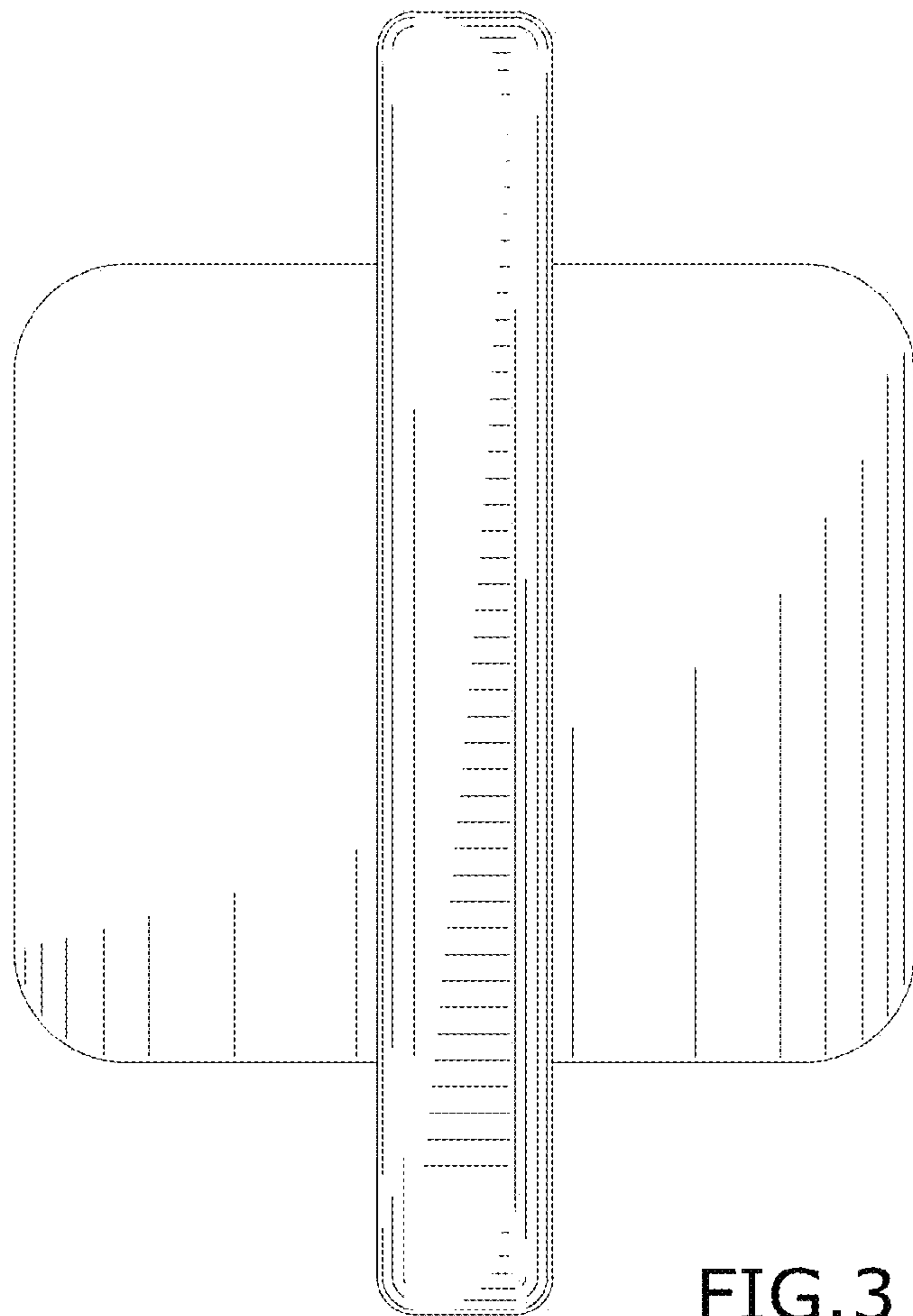
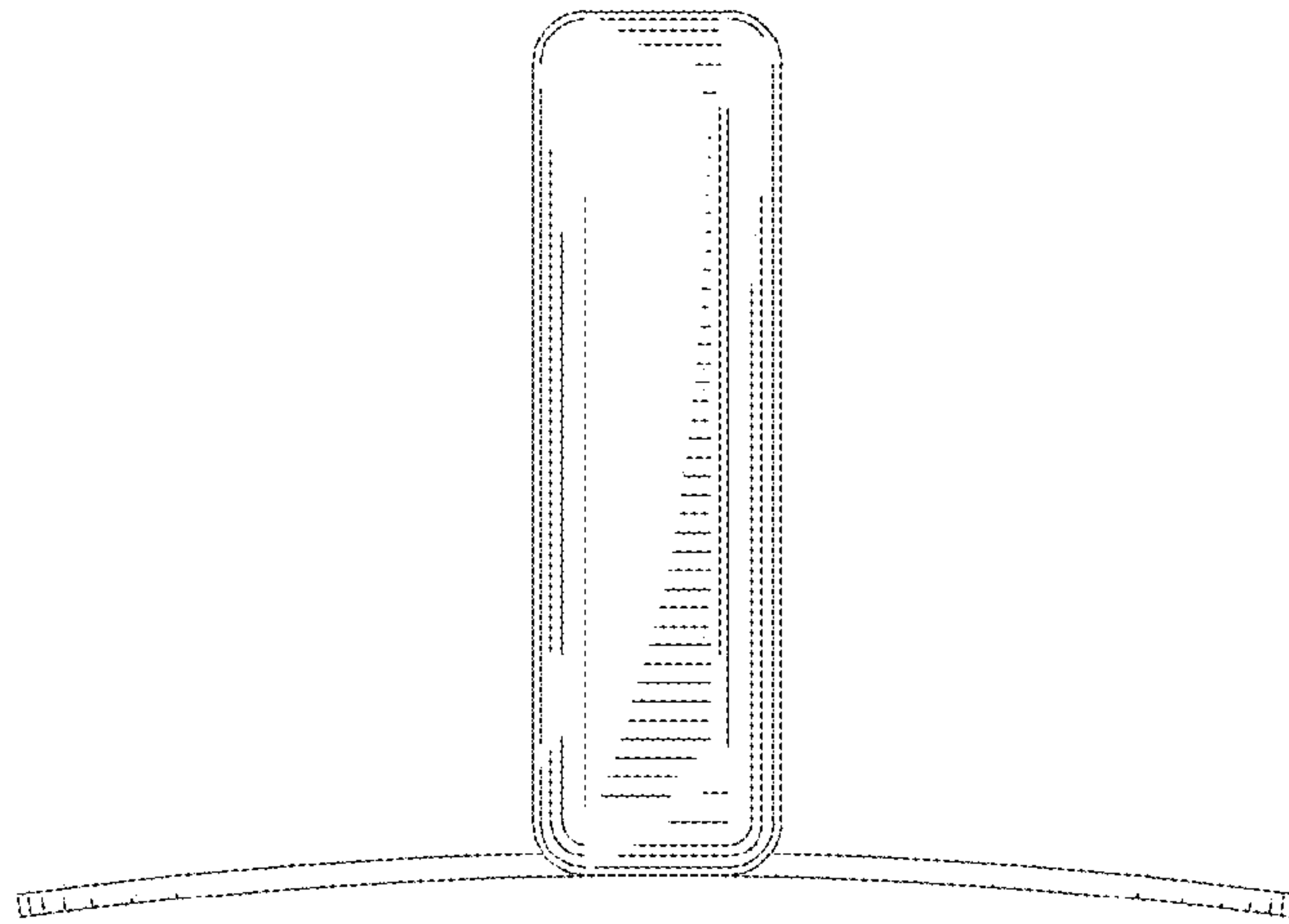
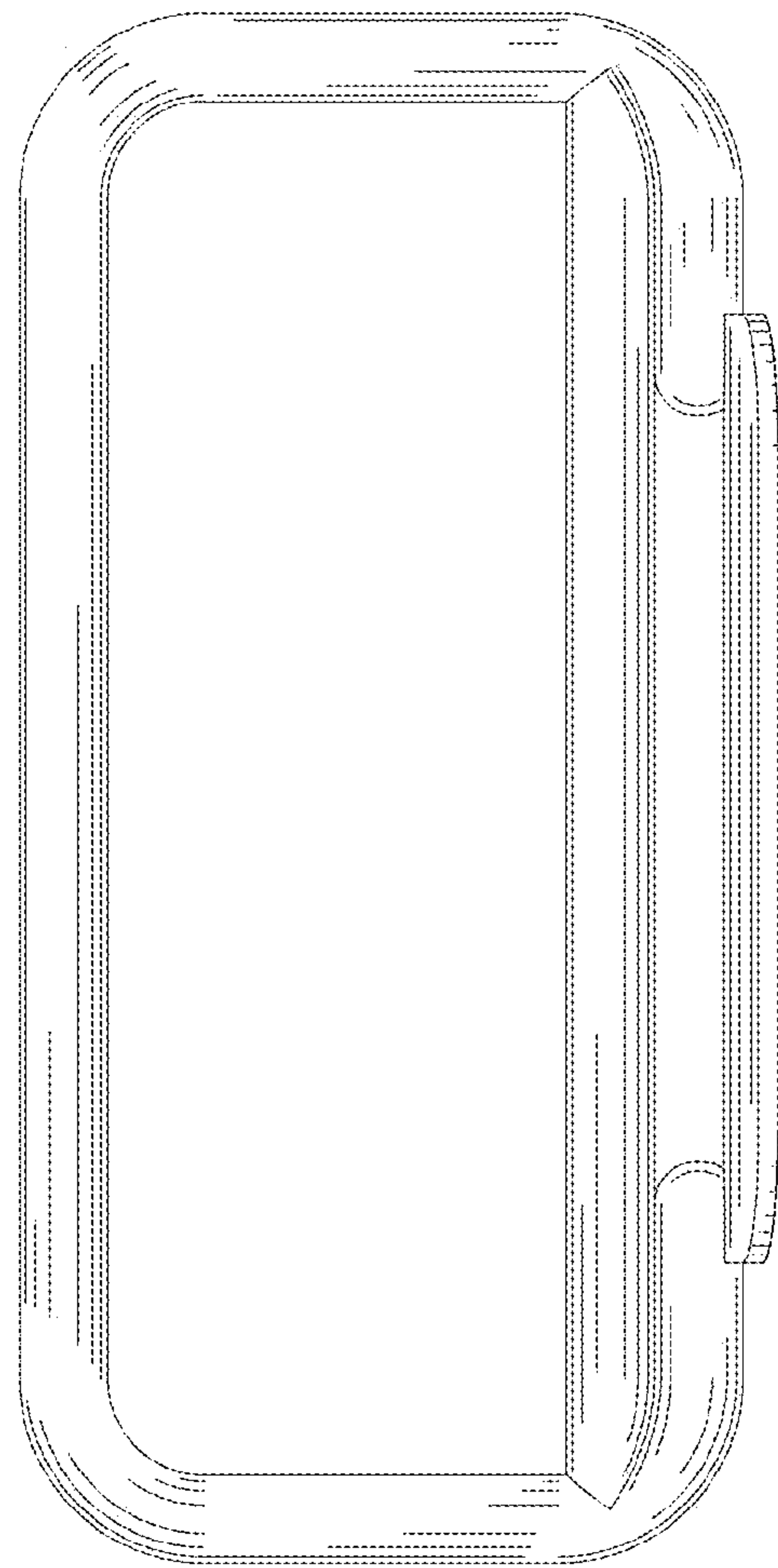


FIG. 3

FIG.4



7



7

FIG.5



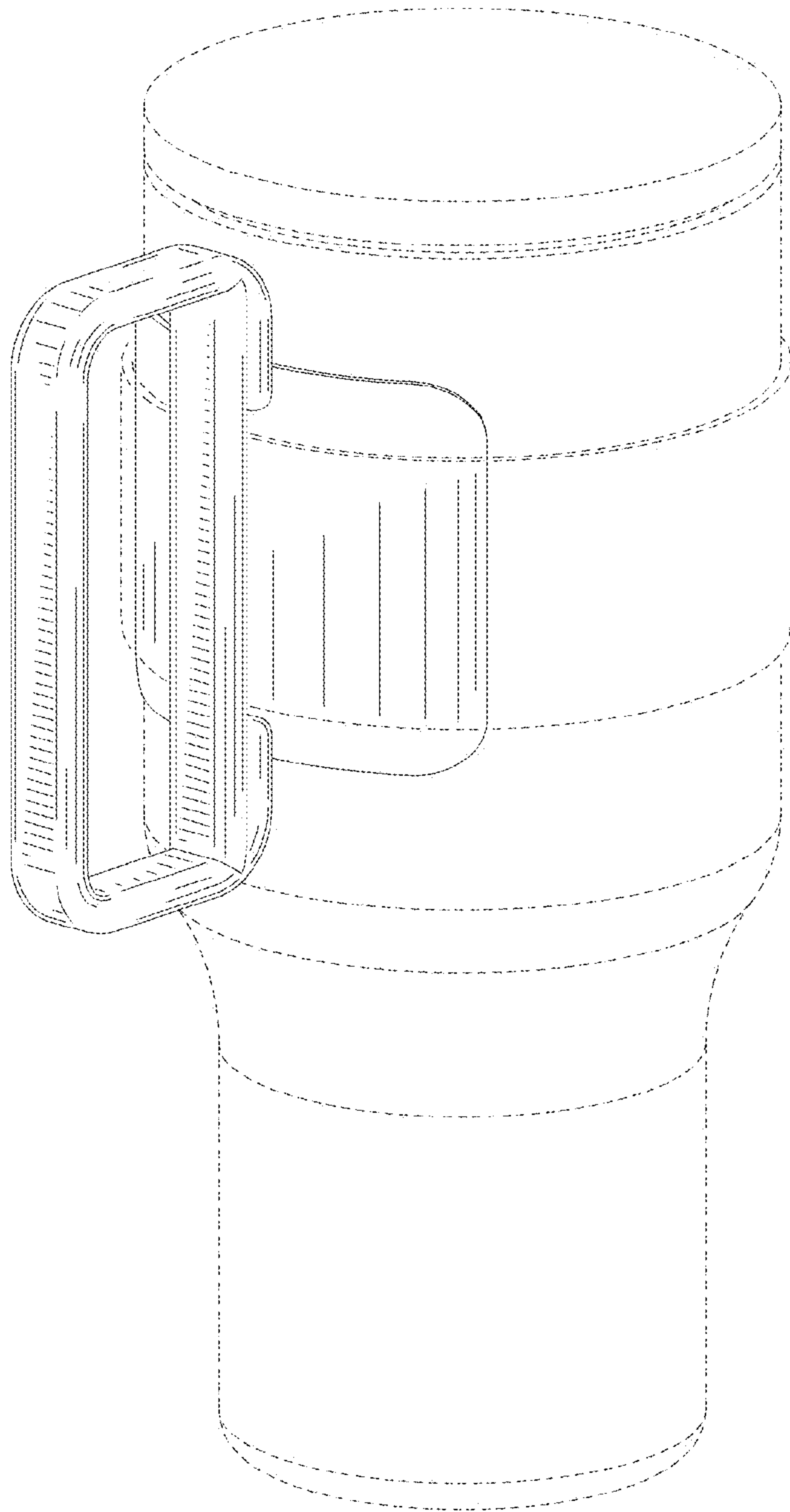


FIG. 6

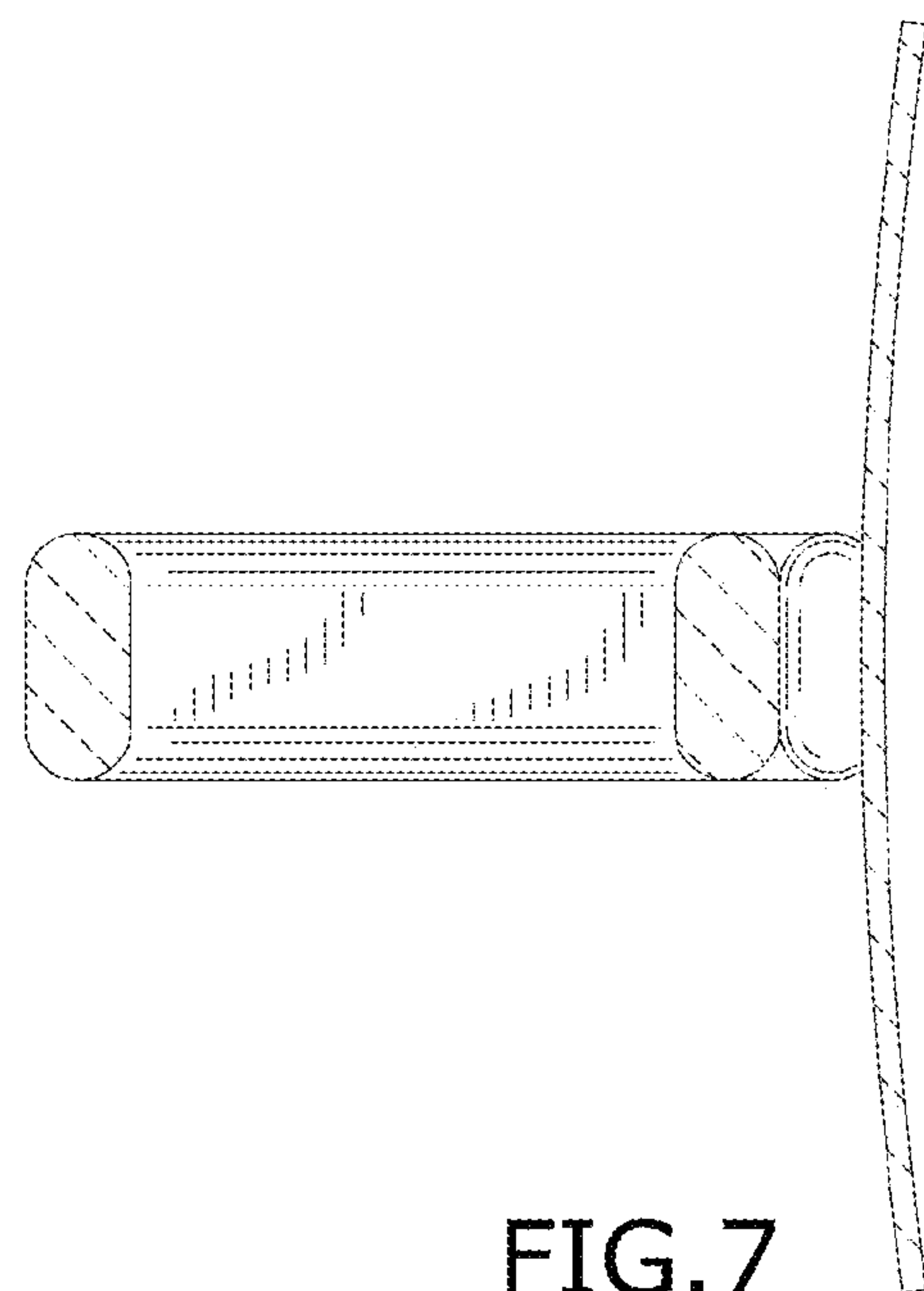


FIG. 7