

US00D874877S

(12) **United States Design Patent** (10) **Patent No.:** **US D874,877 S**
Hu (45) **Date of Patent:** **** Feb. 11, 2020**

(54) **VACUUM BOTTLE**
(71) Applicant: **Zhihong Hu**, Jiangxi (CN)
(72) Inventor: **Zhihong Hu**, Jiangxi (CN)
(**) Term: **15 Years**
(21) Appl. No.: **29/658,150**
(22) Filed: **Jul. 28, 2018**
(51) **LOC (12) Cl.** **07-01**
(52) **U.S. Cl.**
USPC **D7/608; D7/510**
(58) **Field of Classification Search**
USPC D7/603-608, 509-511; D9/500-504,
D9/443, 516, 532, 522, 558, 549, 559,
D9/574, 575
CPC .. A45C 11/20; F25D 3/08; F25D 3/14; A47G
19/2205; A47G 2019/2294; A47G 19/23;
A47G 19/2272; A47G 19/22; A47G
19/2211; A47G 19/2266; A47J 41/02;
A47J 41/022; A47J 41/024; A47J 41/026;
A47J 41/028; A47J 41/00; A47J 41/0077;
A47J 43/27; B65D 81/3823; B65D
81/3818; B65D 81/3846; B65D 81/2886;
B65D 81/3879; B65D 47/066; A45F 3/16
See application file for complete search history.

(56) **References Cited**
U.S. PATENT DOCUMENTS
D321,628 S * 11/1991 Kobayashi D7/608
6,332,557 B1 * 12/2001 Moran A47J 41/0083
215/12.1

D529,339 S * 10/2006 Carreno D7/511
D536,929 S * 2/2007 Kingsley D7/510
D596,460 S * 7/2009 Nezu D7/510
D658,448 S * 5/2012 Ying D7/608
D730,123 S * 5/2015 He D7/511
D742,699 S * 11/2015 Boroski D7/608
D787,267 S * 5/2017 Maas D7/510
D817,713 S * 5/2018 Lin D7/510
2013/0319966 A1 * 12/2013 Lane B65D 43/26
215/237
2014/0353275 A1 * 12/2014 Hung B65D 47/305
215/311
2015/0225141 A1 * 8/2015 Mackenzie B65D 47/0871
215/237

* cited by examiner

Primary Examiner — Terry A Wallace
(74) *Attorney, Agent, or Firm* — Erson IP (Nelson IP)

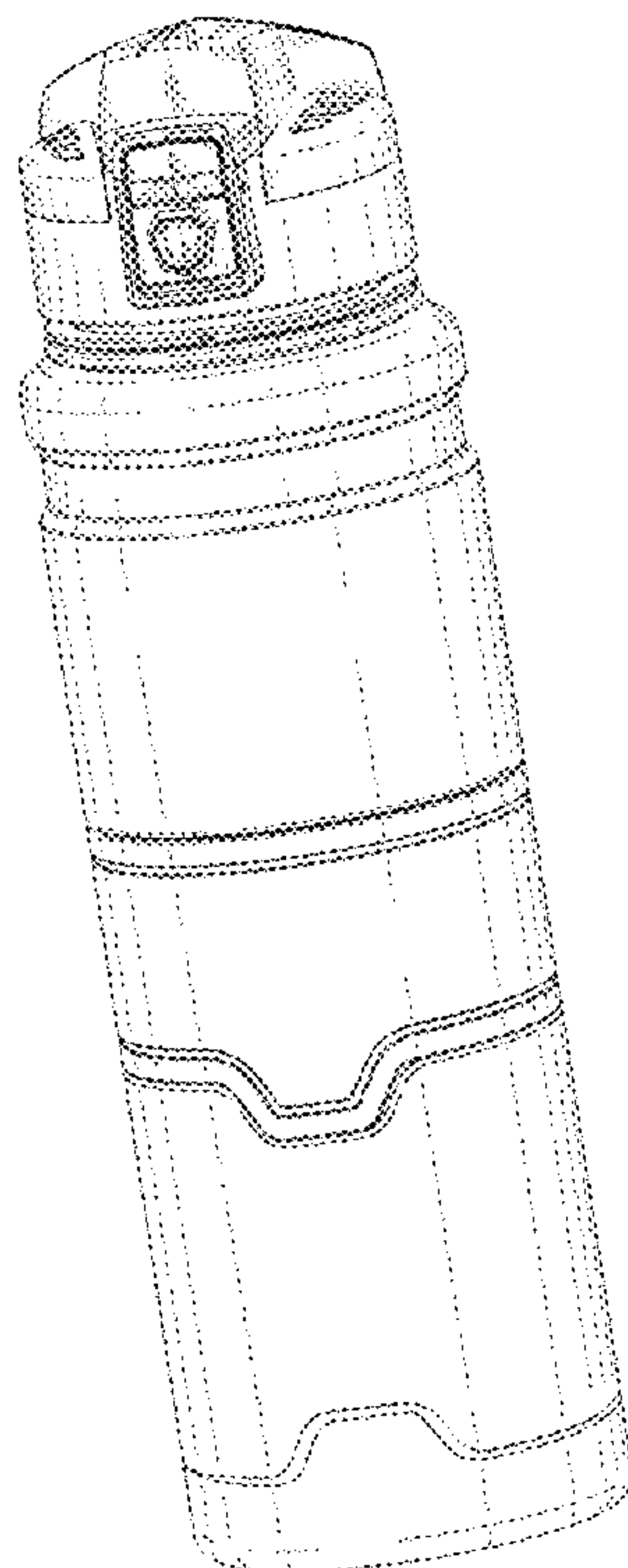
(57) **CLAIM**

The ornamental design for a vacuum bottle, as shown and described.

DESCRIPTION

FIG. 1 is a perspective view of a vacuum bottle showing my new design;
FIG. 2 is another perspective view thereof;
FIG. 3 is a front view thereof;
FIG. 4 is a rear view thereof;
FIG. 5 is a left side view thereof;
FIG. 6 is a right side view thereof;
FIG. 7 is a top plan view thereof; and,
FIG. 8 is a bottom plan view thereof.

1 Claim, 8 Drawing Sheets



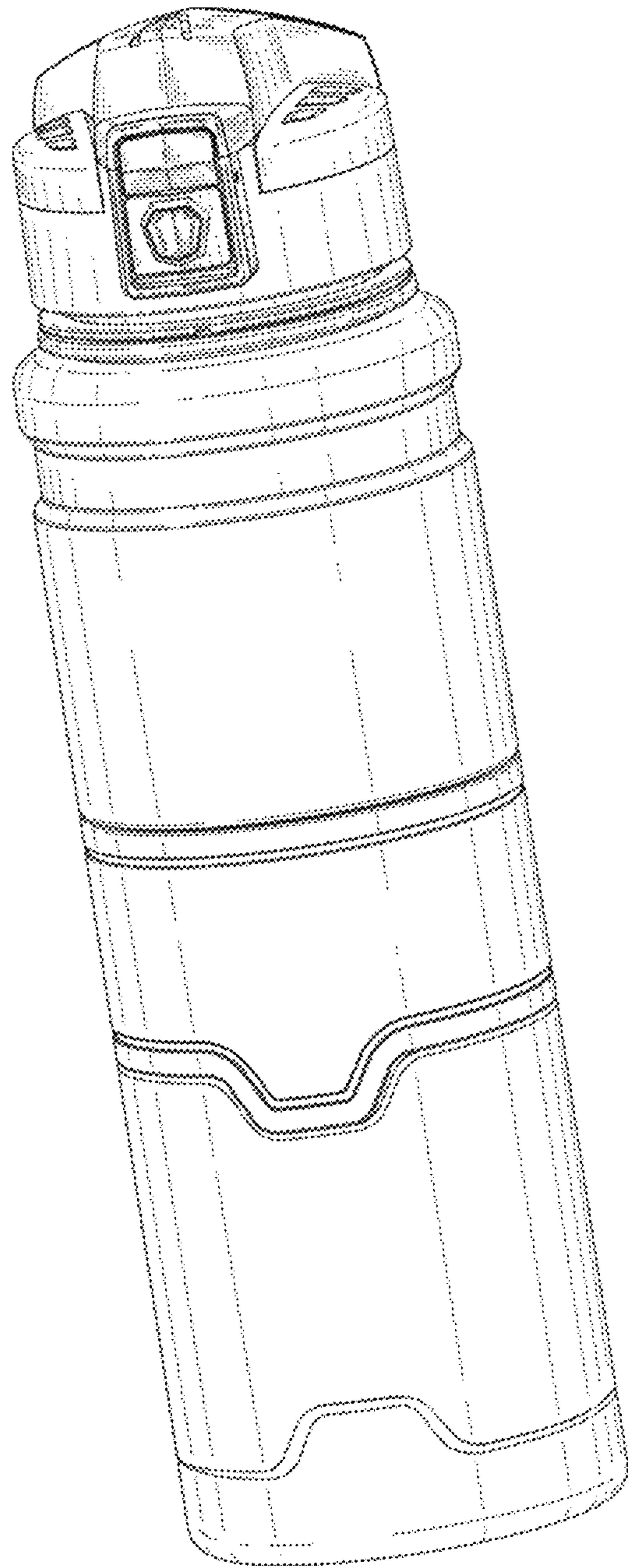


Fig. 1

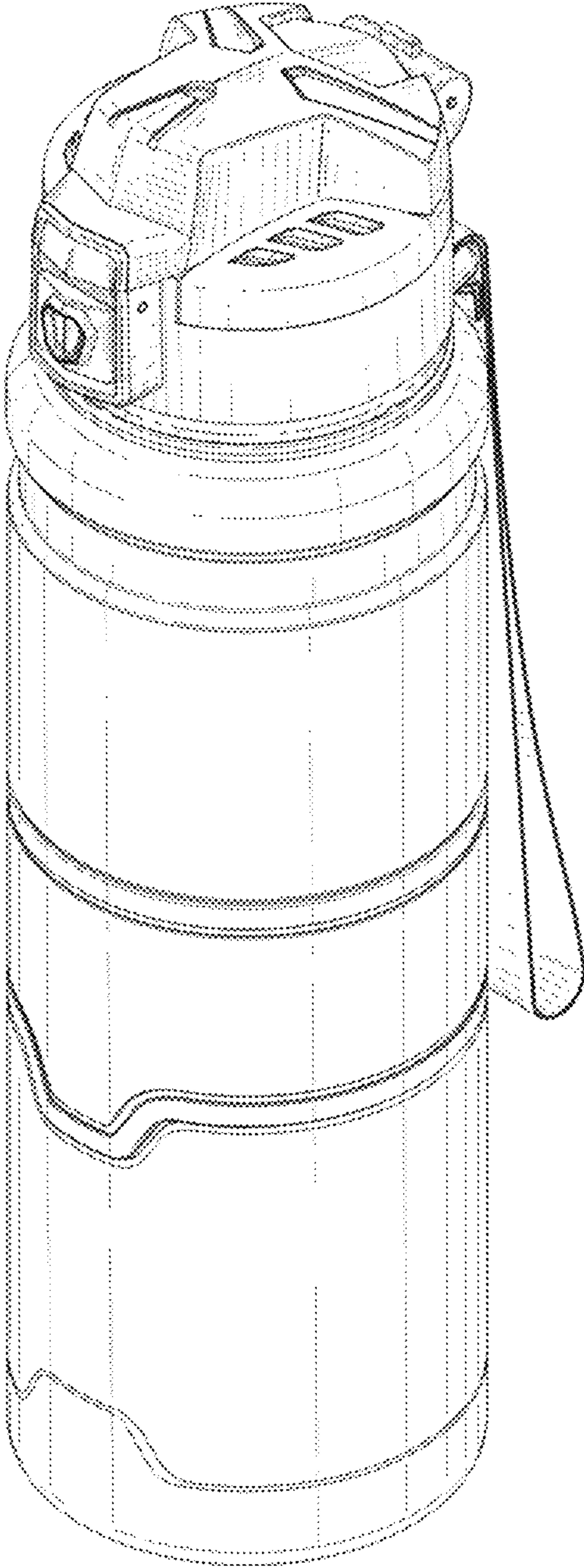


Fig. 2

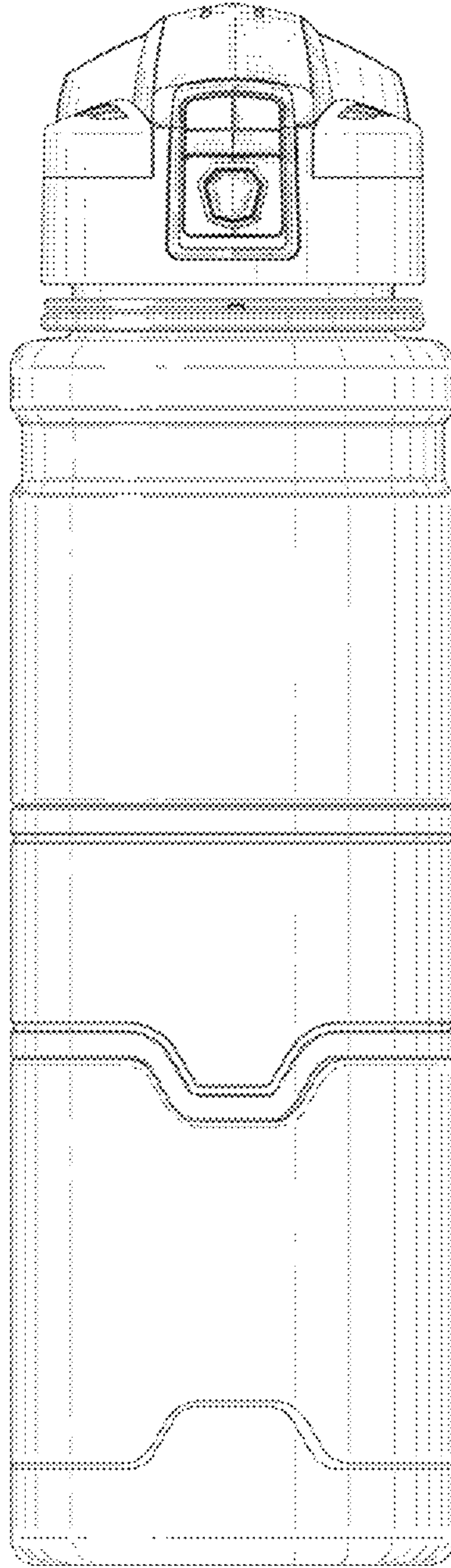


Fig. 3

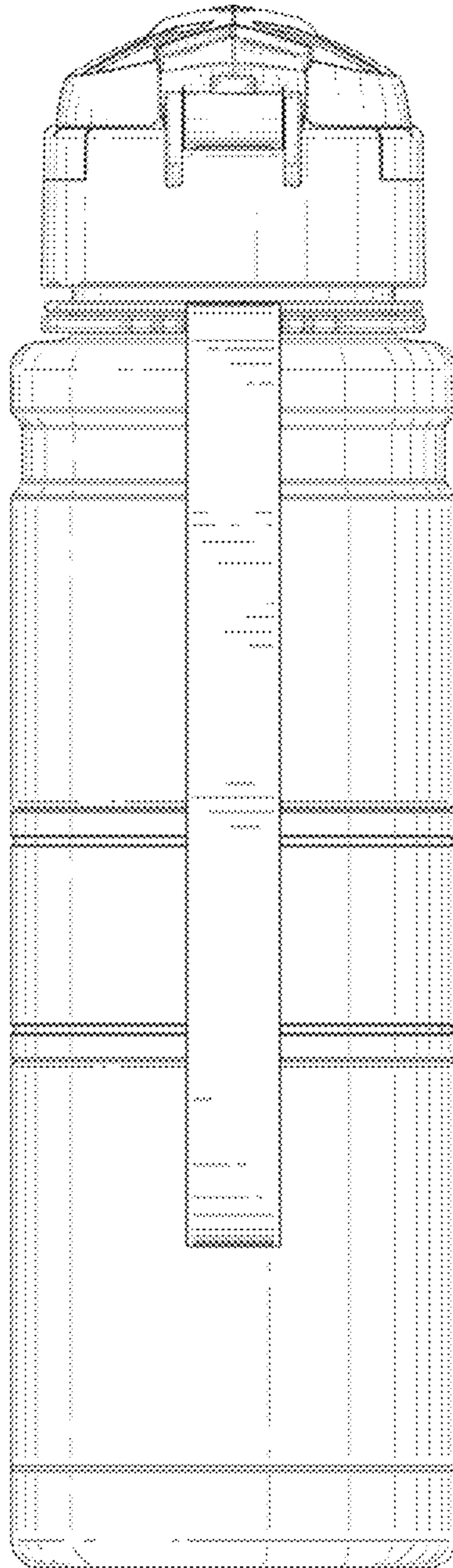


Fig. 4

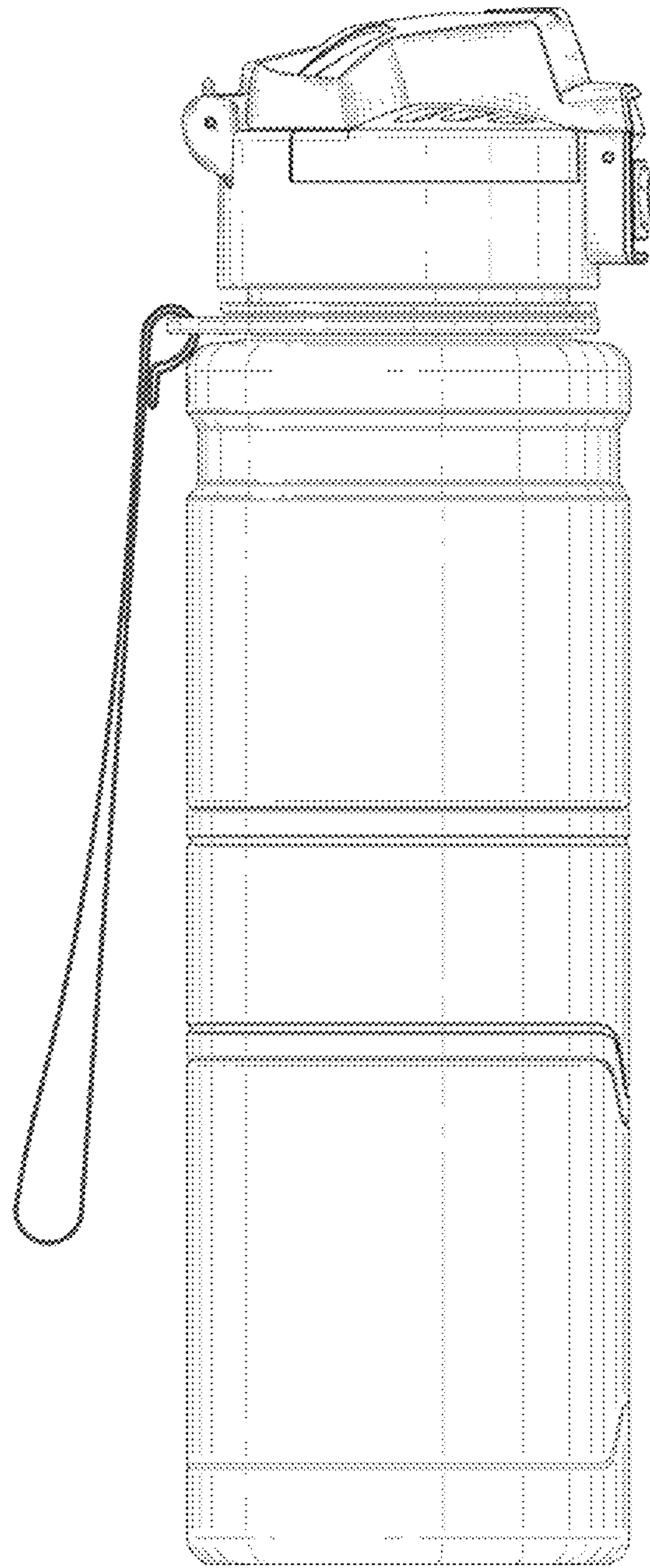


Fig. 5

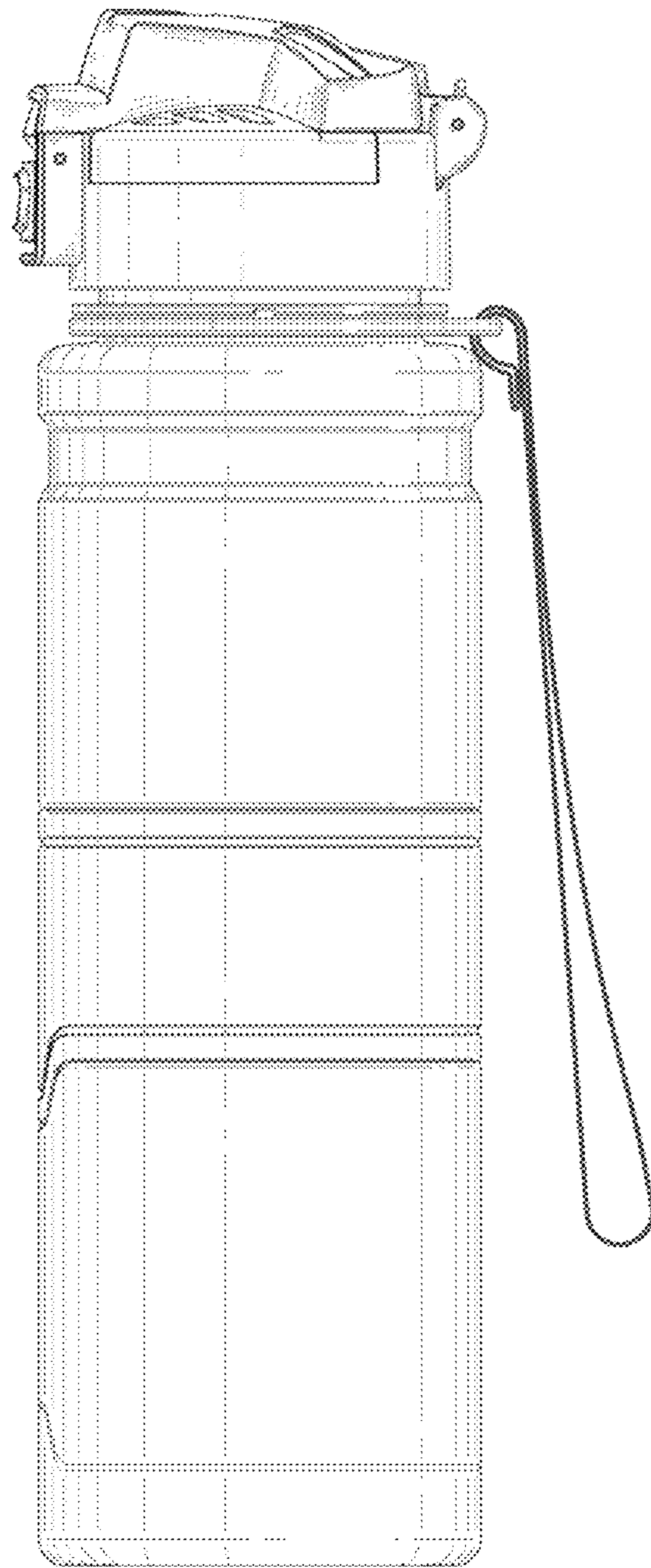


Fig. 6

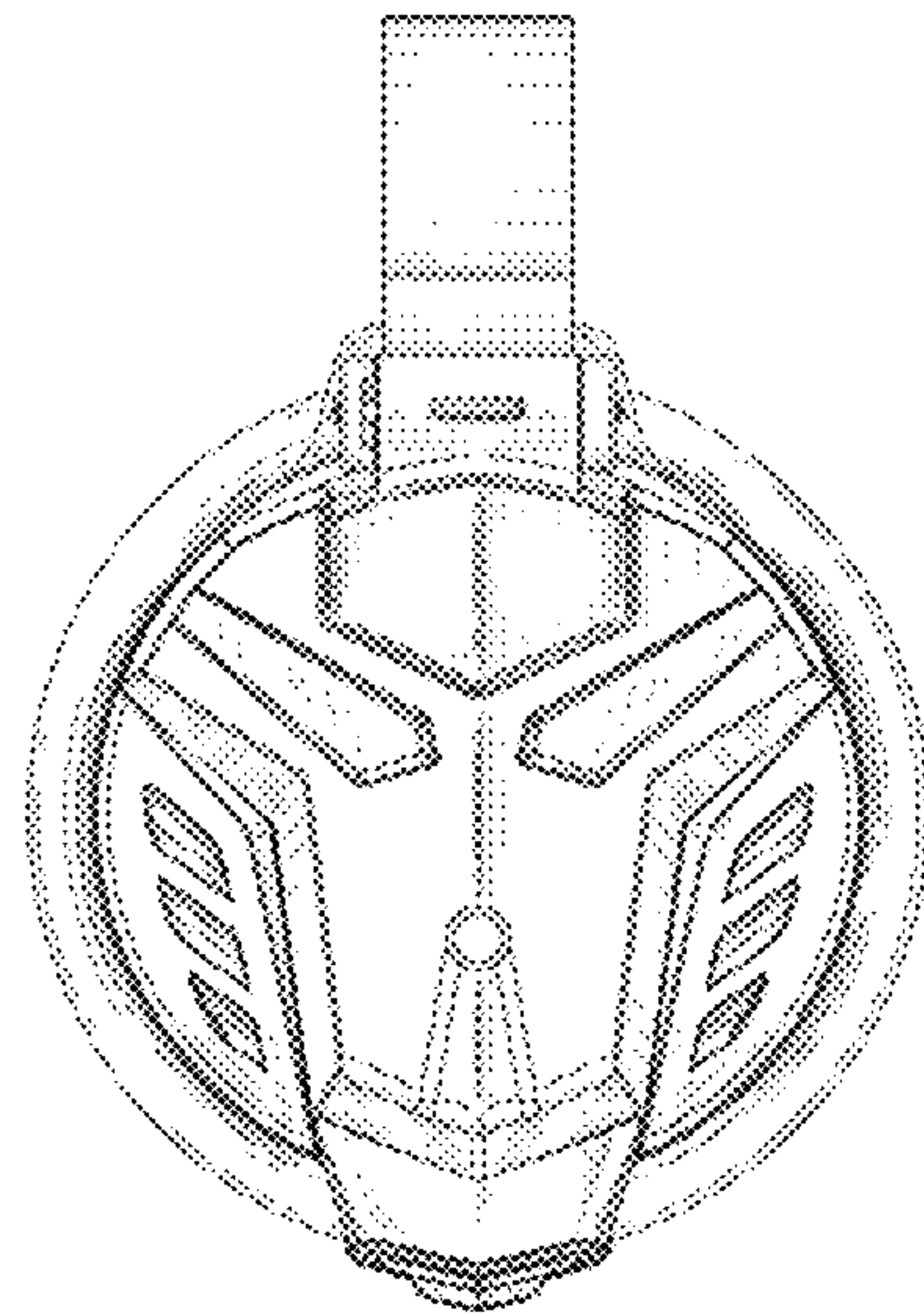


Fig. 7

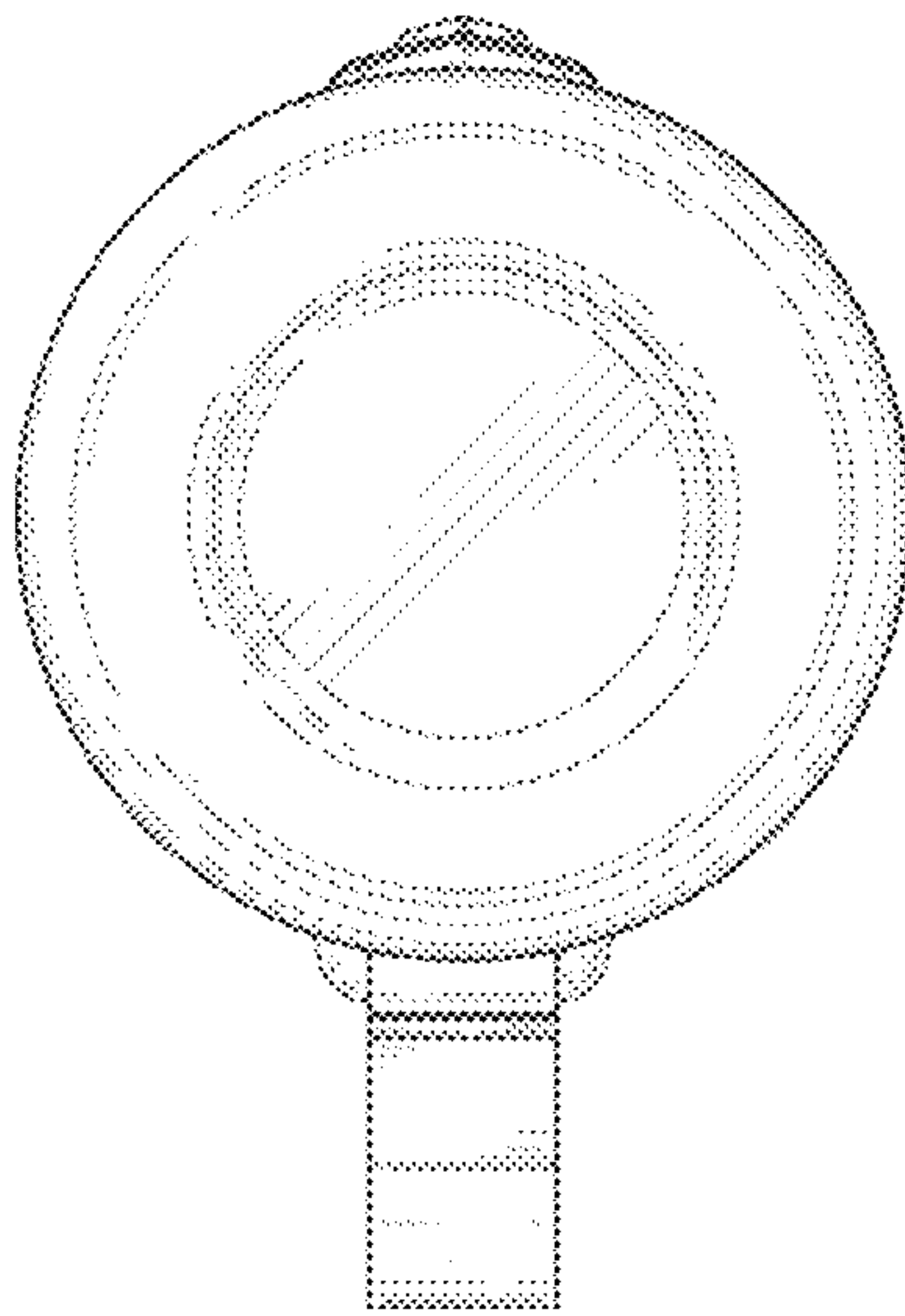


Fig. 8