



US00D874876S

(12) **United States Design Patent** (10) **Patent No.:** **US D874,876 S**
Finell et al. (45) **Date of Patent:** **** Feb. 11, 2020**

- (54) **REUSABLE SEALABLE MILK BAG AND TRAY**
- (71) Applicant: **ZIP TOP, LLC**, Austin, TX (US)
- (72) Inventors: **Rebecca M. Finell**, Austin, TX (US);
Joshua J. Nelson, Mesa, AZ (US)
- (73) Assignee: **ZIP TOP, LLC**, Austin, TX (US)
- (**) Term: **15 Years**
- (21) Appl. No.: **29/699,897**
- (22) Filed: **Jul. 30, 2019**

5,499,763	A *	3/1996	DeMars	A47G 19/02
				229/114
D374,204	S	10/1996	Weder	D11/143
5,689,866	A	11/1997	Kasai	24/400
5,758,473	A *	6/1998	Patelli	B65B 9/20
				222/541.6
D401,141	S	11/1998	Carroll et al.	D9/608
D407,970	S	4/1999	Planchard	D9/703
D418,368	S	1/2000	Solland	D7/510
D418,747	S	1/2000	Sagel	D9/707
D419,867	S	2/2000	Hager et al.	D9/608
6,050,432	A	4/2000	Koehnke	215/11.3
D423,877	S	5/2000	Kerr	D7/509
6,164,488	A	12/2000	Solland	220/717
6,176,420	B1	1/2001	Sarson	229/128
6,197,359	B1	3/2001	Llorente Hompanera	426/523
6,245,367	B1 *	6/2001	Galomb	B65D 51/247
				206/541
D456,211	S	4/2002	Price	D7/509
D457,318	S	5/2002	Borland et al.	D3/303
D464,258	S *	10/2002	Edwards	D9/708
D470,361	S	2/2003	Trombly	D7/509
D470,755	S	2/2003	Espinel	D9/707
D482,614	S *	11/2003	Countee, Jr.	D7/705
D495,209	S	8/2004	Tranfaglia	D7/509
D502,364	S	3/2005	Chan	D7/509
7,029,178	B2	4/2006	Gzybowski	383/64
D522,183	S	5/2006	Wylie	D30/118
7,160,029	B2	1/2007	Bein et al.	383/67
D541,171	S *	4/2007	Delmotte	D9/709
D553,442	S	10/2007	Bodum	D7/509
D554,432	S	11/2007	Roth et al.	D7/516
D567,592	S *	4/2008	Fite, IV	D7/566
D580,779	S *	11/2008	Hartwell	D9/705
D582,790	S	12/2008	Friebe	D9/707
D586,232	S	2/2009	Friebe	D9/707
7,524,111	B1	4/2009	Williams	220/23.87
D600,072	S	9/2009	Hayes	D7/509
D605,895	S	12/2009	Abbott	D7/509
D609,581	S	2/2010	Doyal	D9/703
D616,760	S	6/2010	Deurer	D9/611
D618,302	S	6/2010	Williams	D23/209
D622,109	S	8/2010	Hull et al.	D7/630
D657,950	S	4/2012	Herman	D3/202
D660,446	S	5/2012	Baltazar	D24/208
8,220,651	B2	7/2012	Norcom	220/1.6
D668,118	S *	10/2012	Hayes	D7/602
D672,202	S *	12/2012	Craft	D7/586
D683,190	S	5/2013	Shields	D7/544
D683,592	S	6/2013	Shields	D7/544
D684,867	S *	6/2013	English	D9/707
D684,868	S *	6/2013	Kessler, Jr.	D9/707
D686,508	S	7/2013	Kling	D9/703

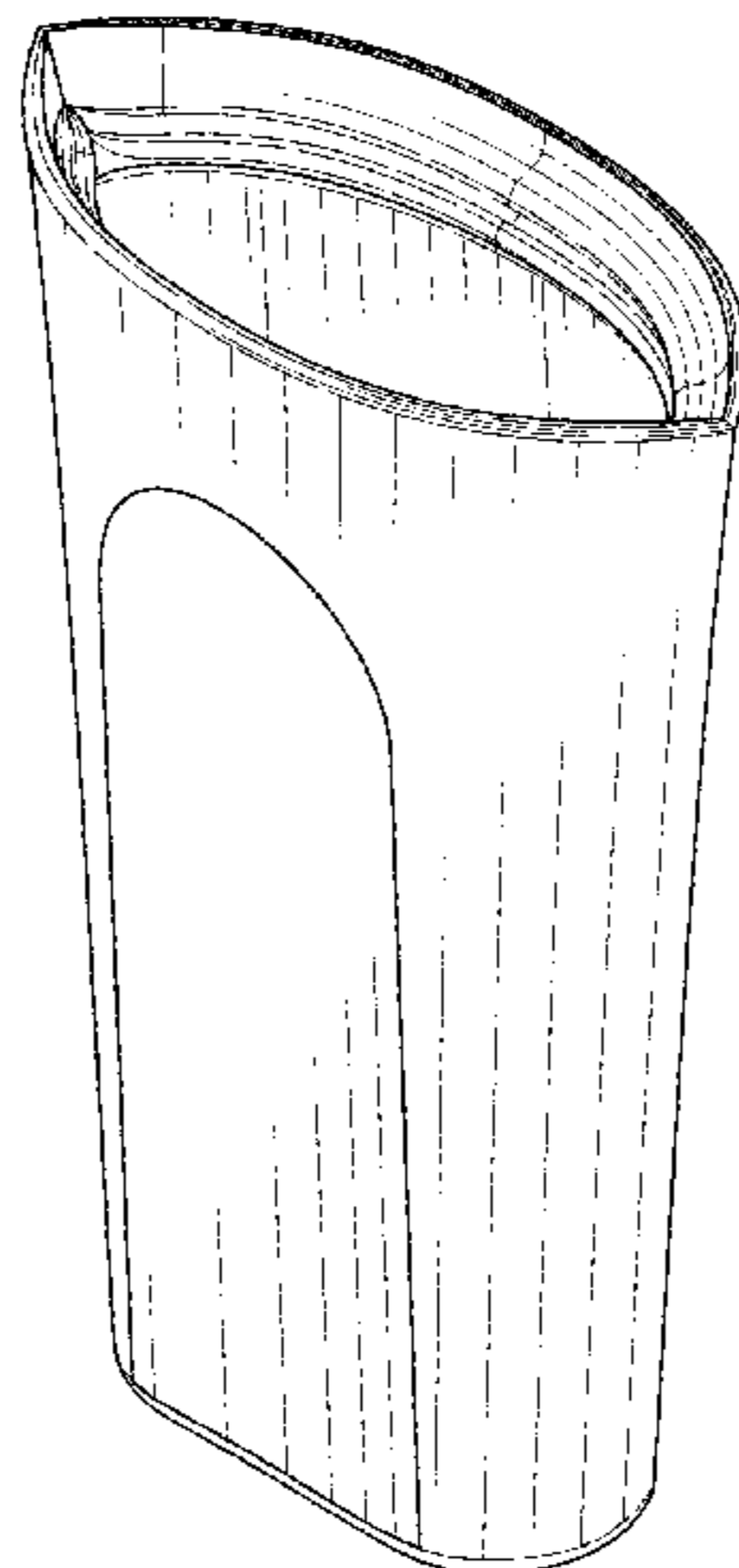
Related U.S. Application Data

- (63) Continuation-in-part of application No. 29/618,138, filed on Sep. 19, 2017.
- (51) **LOC (12) Cl.** **07-07**
- (52) **U.S. Cl.**
USPC **D7/602**
- (58) **Field of Classification Search**
USPC D7/601, 602; D9/430; 426/85
CPC A47G 19/02; A47G 19/025
See application file for complete search history.

References Cited

U.S. PATENT DOCUMENTS

1,002,346	A	9/1911	Weeks	229/400
D77,091	S	11/1916	Nouri et al.	D9/709
2,012,113	A	8/1935	Thompson	215/363
2,117,738	A *	5/1938	Metzger	B65D 35/00
				383/209
2,165,277	A	7/1939	Herman	229/405
2,589,967	A	3/1952	Sawyer	215/372
2,861,716	A	11/1958	Kramer	215/228
3,354,601	A	11/1967	Schneider	493/196
3,799,914	A *	3/1974	Schmit et al.	B65D 75/008
				426/85
3,844,525	A	10/1974	Parmett	249/127
D285,515	S	9/1986	Papciak	D24/119
4,655,862	A	4/1987	Christoff et al.	156/66
D291,659	S	9/1987	Powell	D7/507



8,479,972 B2 *	7/2013	Craft	B65D 5/029
			229/101
D689,370 S *	9/2013	Bower	D9/707
8,523,440 B2	9/2013	Walker et al.	383/202
D690,995 S	10/2013	Franco	D7/516
D705,654 S	5/2014	Wurth et al.	D9/451
8,864,015 B2	10/2014	Lu	229/128
D722,805 S	2/2015	Banos	D7/301
D736,099 S	8/2015	Deuerer	D9/707
D739,727 S	9/2015	Olson	D9/436
D750,334 S	2/2016	Comstock	D32/30
D755,017 S *	5/2016	Piechocinski	D7/554.2
9,371,153 B1	6/2016	Nouri et al.	
D772,493 S	11/2016	Wu	D30/129
D772,723 S	11/2016	Murray	D9/707
D782,450 S	3/2017	Jones	D14/240
D791,609 S	7/2017	Rotman	D9/611
9,737,161 B1	8/2017	Li	A47G 19/22
9,751,655 B2	9/2017	Herman	B65D 5/02
D804,959 S	12/2017	Anda	D9/705
D809,875 S	2/2018	Delgado Carmona	D7/628
D809,876 S	2/2018	Delgado Carmona	D7/628
D811,796 S	3/2018	Joseph	D7/325
D812,487 S	3/2018	Soegyanto	D9/702
D813,684 S *	3/2018	Williams, Jr.	D9/703
D815,365 S	4/2018	Scariot et al.	D30/118
D815,544 S	4/2018	Soegyanto	D9/702
D817,109 S	5/2018	Kilicarslan	D7/611
D826,063 S *	8/2018	Kwon	D9/643
D831,432 S	10/2018	Lv	D7/606
D851,853 S	6/2019	Khan	D99/5
D854,325 S *	7/2019	Myerson	D3/304
D856,086 S	8/2019	Goulet	D7/519
D858,200 S	9/2019	Wang	D7/516
D860,001 S	9/2019	Sahatjian	D9/707
2003/0066870 A1 *	4/2003	Stewart	B65D 3/14
			229/125.09
2005/0194386 A1	9/2005	Shai	220/287
2006/0191929 A1	8/2006	Berg, Jr. et al.	220/6
2006/0191985 A1	8/2006	Norcom	229/117.05
2006/0193541 A1	8/2006	Norcom	383/200
2008/0050053 A1	2/2008	Szczesuil	383/66
2008/0087268 A1	4/2008	Burton	126/9 R
2009/0110335 A1	4/2009	Leboeuf	383/63
2009/0279810 A1	11/2009	Nobles	383/66
2010/0012531 A1	1/2010	Steele	206/216
2010/0072224 A1	3/2010	Ha	222/107
2010/0314434 A1	12/2010	Herman	229/107
2011/0017812 A1	1/2011	Belko et al.	229/117.27
2011/0017814 A1	1/2011	Belko et al.	229/124
2011/0132910 A1	6/2011	Willat	220/495.03
2011/0203944 A1	8/2011	Singer	206/204
2011/0297680 A1	12/2011	Howell et al.	220/266
2012/0060449 A1	3/2012	Howell et al.	53/456
2012/0187182 A1	7/2012	Howell et al.	229/102
2012/0269469 A1	10/2012	Long et al.	383/210.1
2013/0084028 A1	4/2013	Cross	383/33
2013/0105352 A1	5/2013	Munguia	206/524.6
2014/0042217 A1	2/2014	Houck	229/404
2014/0212075 A1	7/2014	Cross	383/64
2014/0226921 A1	8/2014	Albers	383/86.2
2014/0245698 A1	9/2014	Steele	53/410
2014/0270579 A1	9/2014	Noun	383/25
2015/0203250 A1	7/2015	Denis	383/63
2018/0251267 A1	9/2018	Finell	B65D 33/2508
2019/0270546 A1	9/2019	Finell	

FOREIGN PATENT DOCUMENTS

JP	D140735 S	11/2010	
JP	D1454613 S	11/2012	
WO	2016/140746 A1	9/1916	G01F 19/00

OTHER PUBLICATIONS

U.S. Non-Final Office Action, U.S. Appl. No. 15/910,757, 21 pages, dated Oct. 2, 2018.

U.S. Final Office Action, U.S. Appl. No. 15/910,757, 17 pages, dated Feb. 21, 2019.
 U.S. Final Office Action, U.S. Appl. No. 15/910,757, 22 pages, dated Sep. 18, 2019.
 U.S. Non-Final Office Action, U.S. Appl. No. 16/154,134, 39 pages, Oct. 1, 2019.
 U.S. Non-Final Office Action, U.S. Appl. No. 29/699,634, 14 pages, Oct. 21, 2019.
 U.S. Non-Final Office Action, U.S. Appl. No. 29/699,650, 14 pages, dated Oct. 21, 2019.
 U.S. Non-Final Office Action, U.S. Appl. No. 29/699,656, 14 pages, dated Oct. 21, 2019.
 U.S. Advisory Action, U.S. Appl. No. 15/910,757, 3 pages, dated Oct. 28, 2019.
 U.S. Notice of Allowance, U.S. Appl. No. 29/699,611, 16 pages, dated Oct. 30, 2019.
 Partial European Search Report, Application No. 18159842.6, 9 pages, dated Jun. 29, 2018.
 Extended European Search Report and Written Opinion, Application No. 18159842.6, 9 pages, dated Oct. 19, 2018.
 Chinese Office Action, Application No. 201830099279.2, 1 page, dated Jul. 9, 2018.
 Taiwan Office Action, Taiwan Design Application No. 107301543, 4 pages, dated Dec. 18, 2018.
 Chinese Office Action, Application No. 201830098713.5, 1 page, dated Jul. 5, 2018.
 Chinese Office Action, Application No. 201830098714.X, 1 pages, dated Jul. 11, 2018.
 Taiwan Office Action, Application No. 107301545, 6 pages, dated Sep. 12, 2018.
 Taiwan Office Action, Application No. 107301546, 5 pages, dated Sep. 12, 2018.
 Chinese Office Action, Application No. 201830099010.4, 1 page, dated Jul. 11, 2018.
 U.S. Non-Final Office Action, U.S. Appl. No. 15/910,757, 18 pages, dated Jun. 14, 2019.

* cited by examiner

Primary Examiner — Cynthia R Underwood
 (74) *Attorney, Agent, or Firm* — Slayden Grubert Beard PLLC

(57) CLAIM

The ornamental design for reusable sealable milk bag and tray, as shown and described.

DESCRIPTION

This application is a continuation-in-part of U.S. patent application Ser. No. 29/618,106, filed Sep. 19, 2017, currently pending.

FIG. 1 illustrates a perspective top/front view of a reusable sealable milk bag and tray, showing the new, original and ornamental design, wherein the bag is open and unsealed.

FIG. 2 illustrates a perspective top/back view of the reusable sealable milk bag and tray shown in FIG. 1.

FIG. 3 shows a perspective bottom/front view of the reusable sealable milk bag and tray shown in FIGS. 1-2.

FIG. 4 shows a front view of the reusable sealable milk bag and tray shown in FIGS. 1-3.

FIG. 5 shows a back view of the reusable sealable milk bag and tray shown in FIGS. 1-4.

FIG. 6 shows a left side view of the reusable sealable milk bag and tray shown in FIGS. 1-5.

FIG. 7 illustrates a right side view of the reusable sealable milk bag and tray shown in FIGS. 1-6.

FIG. 8 shows a top view of the reusable sealable milk bag and tray shown in FIGS. 1-7.

FIG. 9 shows a bottom view of the reusable sealable milk bag and tray shown in FIGS. 1-8.

FIG. 10 shows a cross-sectional right side view taken along plane 9-9 (see FIG. 4) of the reusable sealable milk bag and tray shown in FIGS. 1-9.

FIG. 11 illustrates a perspective top/front view of a tray for reusable sealable milk bag and tray, showing the new, original and ornamental design of the tray, wherein bags are inserted in the tray.

FIG. 12 illustrates a perspective top/front view of the reusable sealable milk bag and tray, shown in FIG. 11, wherein no bags are inserted in the tray.

FIG. 13 shows a perspective bottom/front view of the tray shown in FIGS. 11-12.

FIG. 14 is a left side view of the tray shown in FIGS. 11-13.

FIG. 15 illustrates a right side view of the tray shown in FIGS. 11-14.

FIG. 16 shows a front view of the tray shown in FIGS. 11-15.

FIG. 17 shows a back view of the tray shown in FIGS. 11-16.

FIG. 18 shows a top view of the tray shown in FIGS. 11-17; and,

FIG. 19 shows a bottom view of the tray shown in FIGS. 11-18.

1 Claim, 16 Drawing Sheets

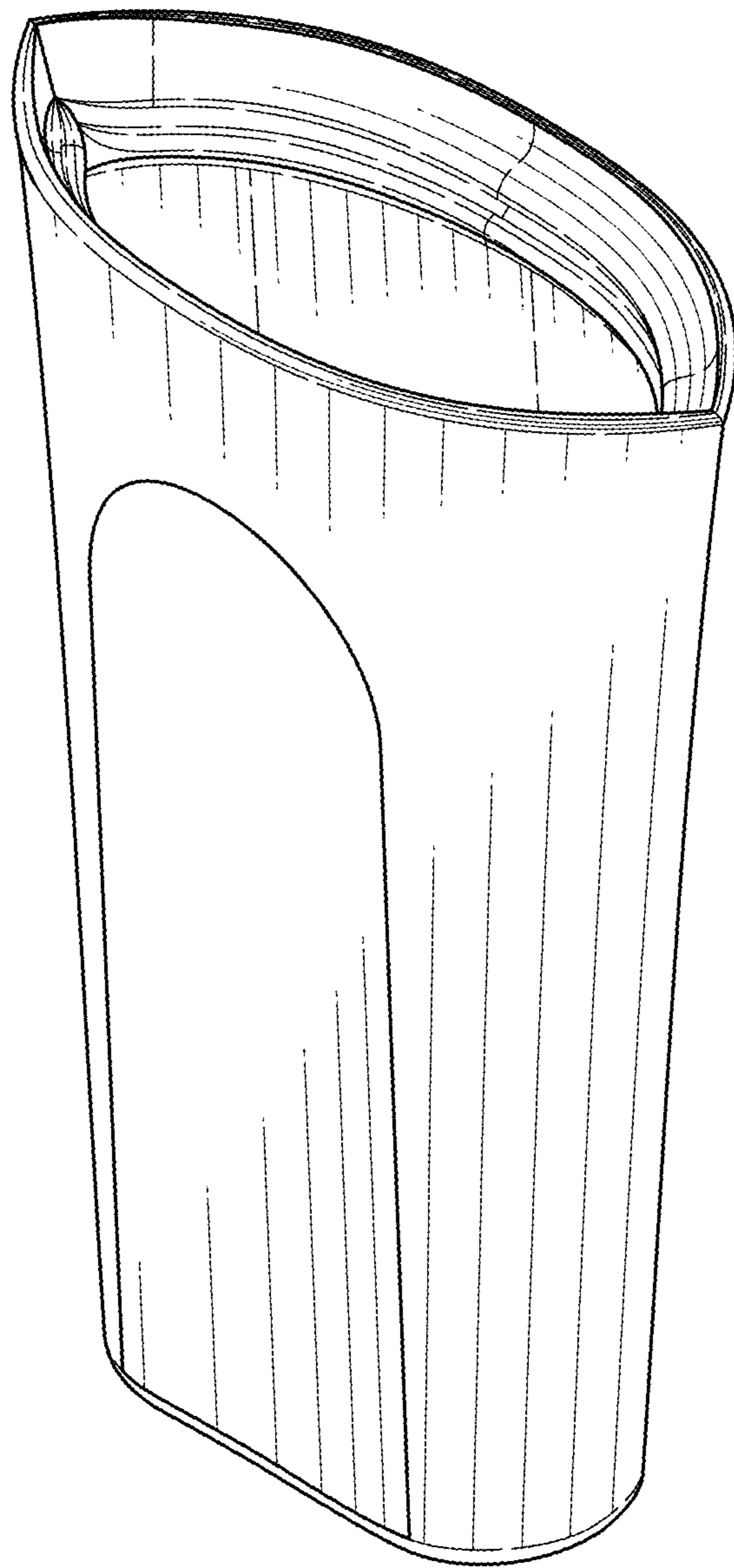


FIG. 1

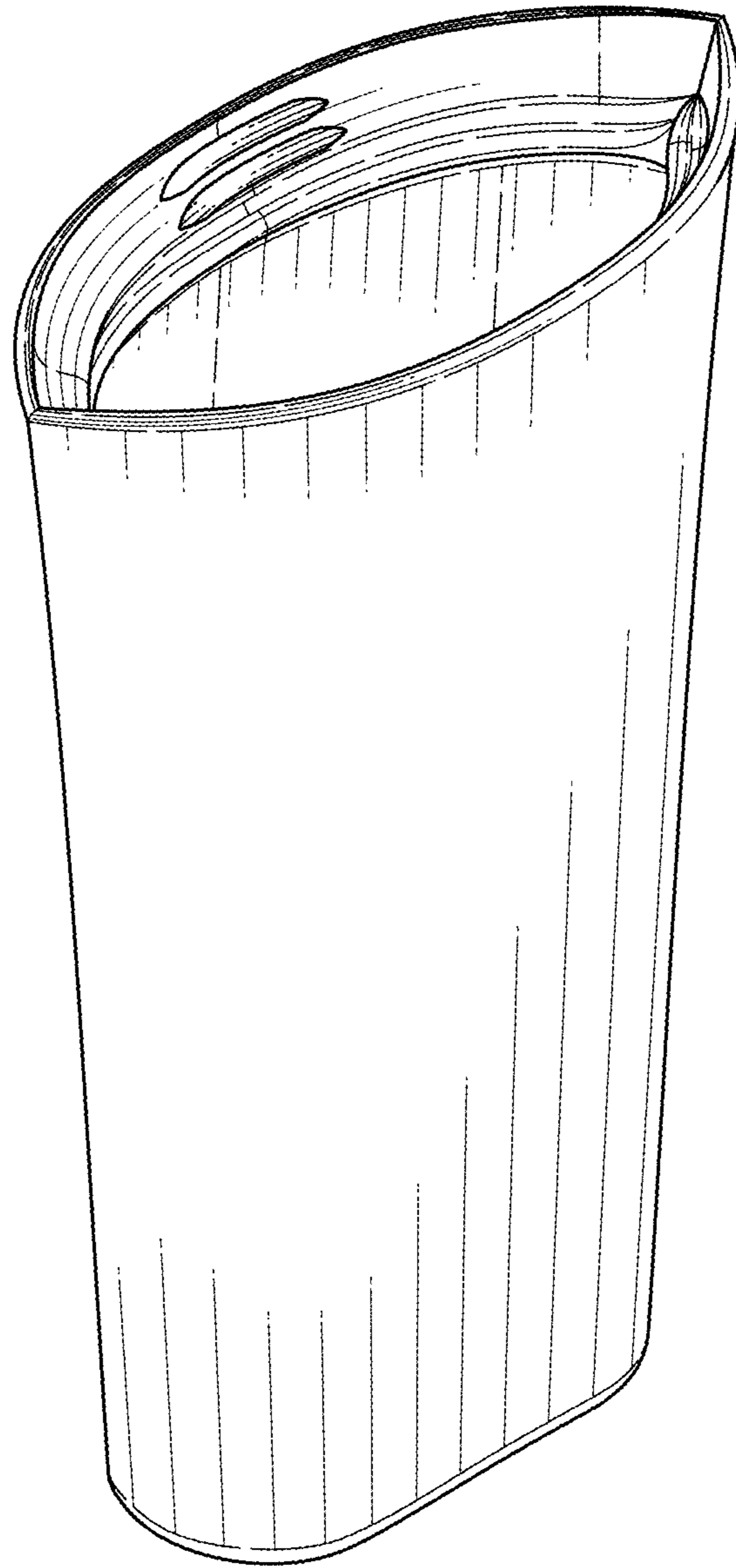


FIG. 2

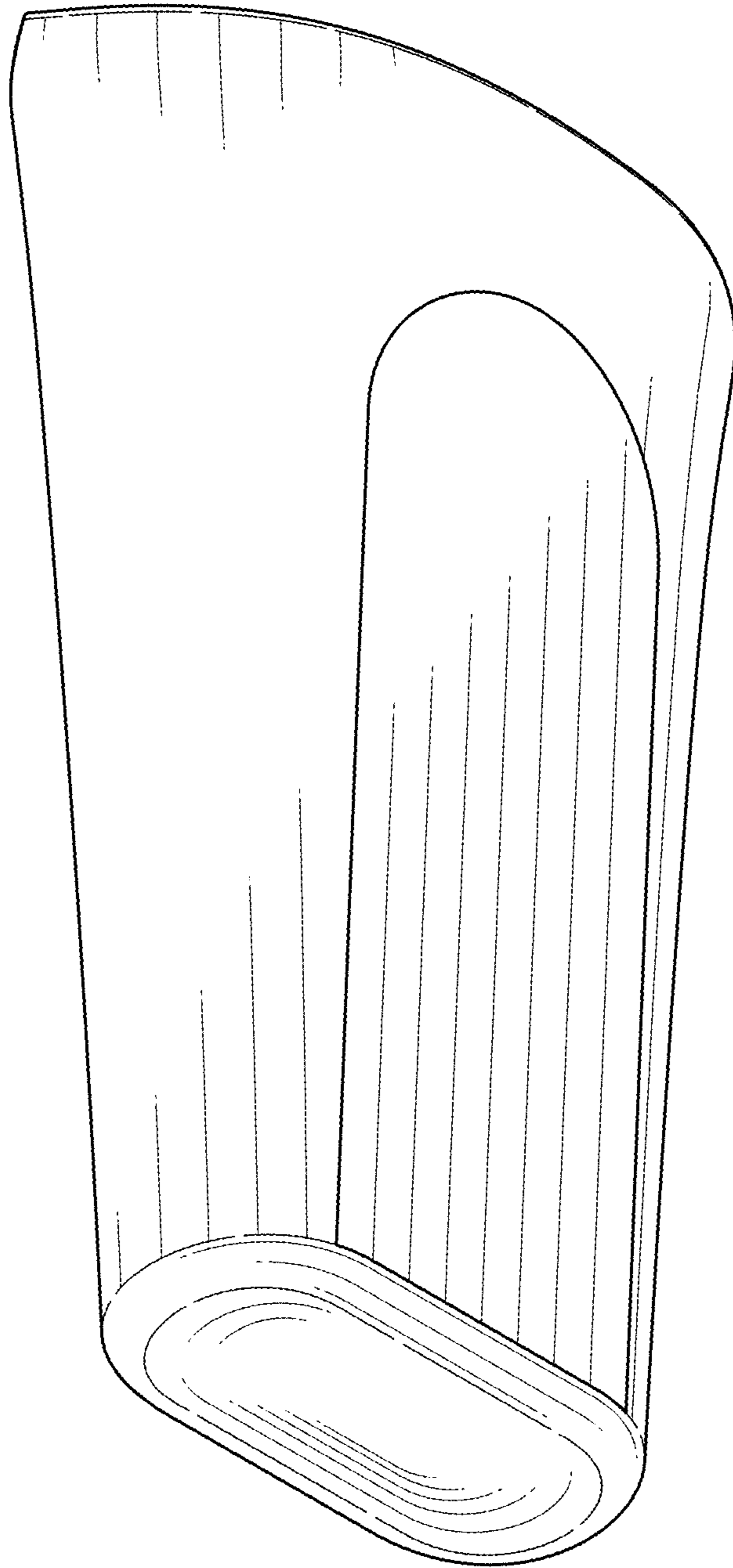


FIG. 3

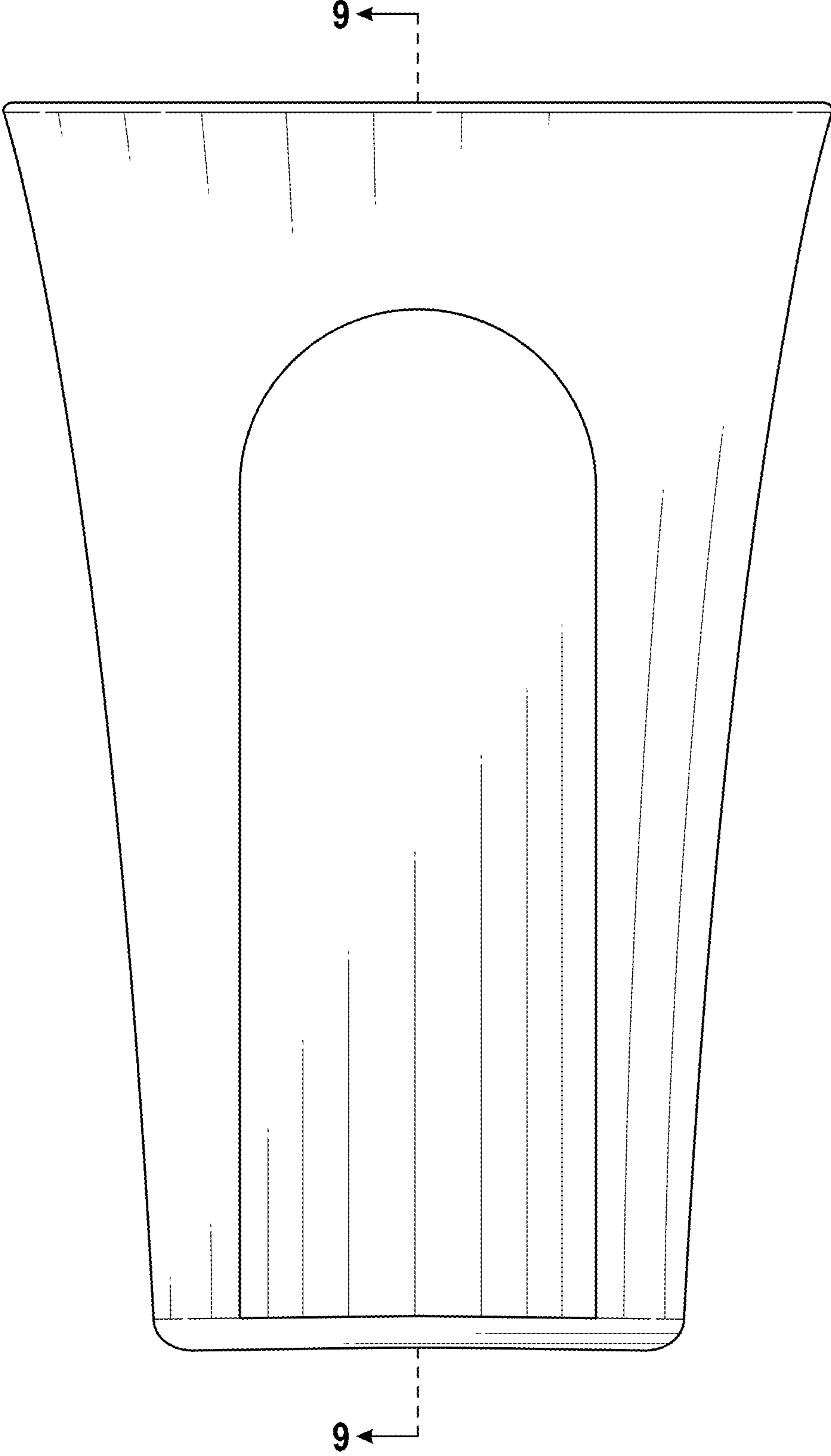


FIG. 4

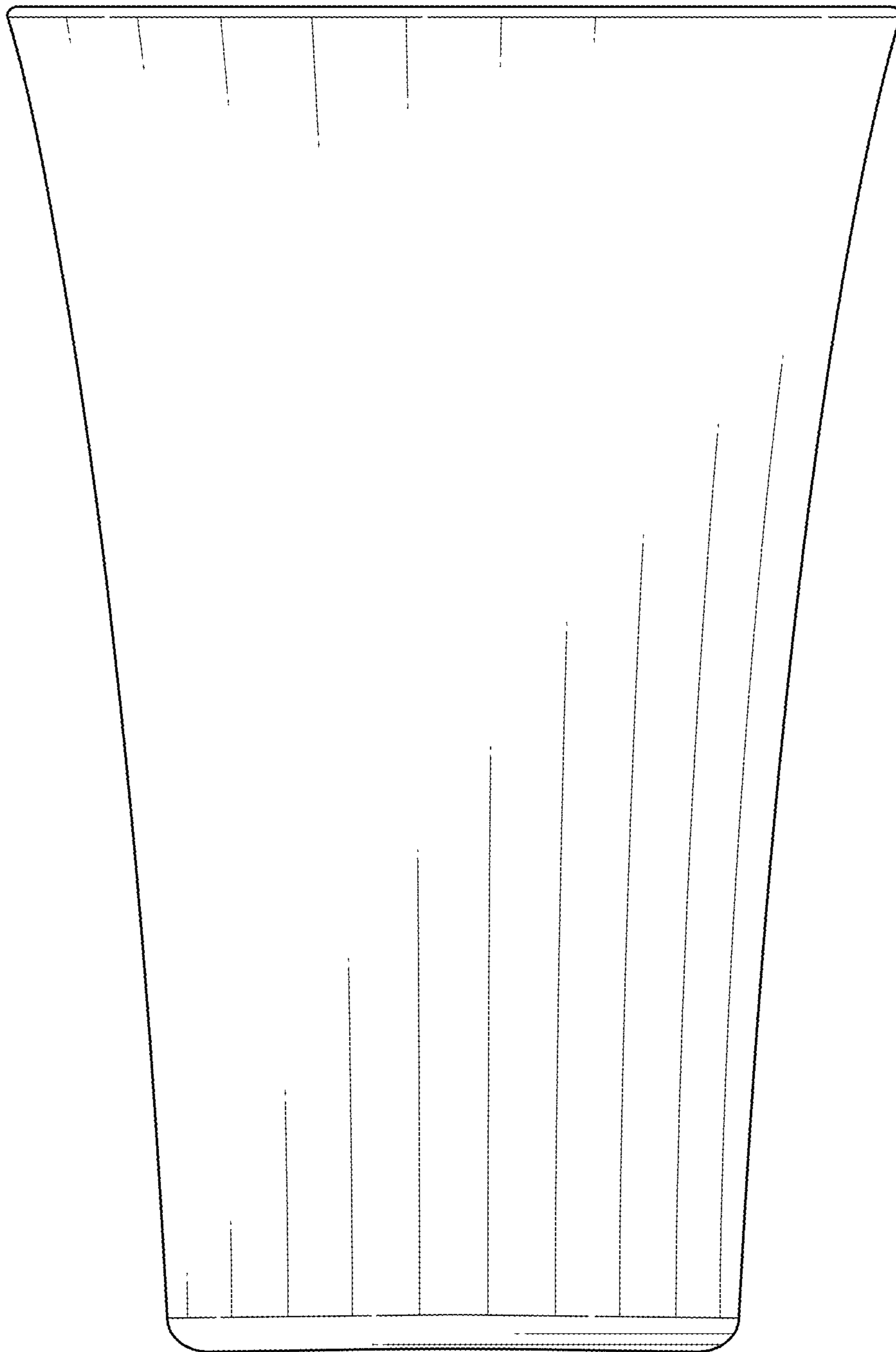


FIG. 5

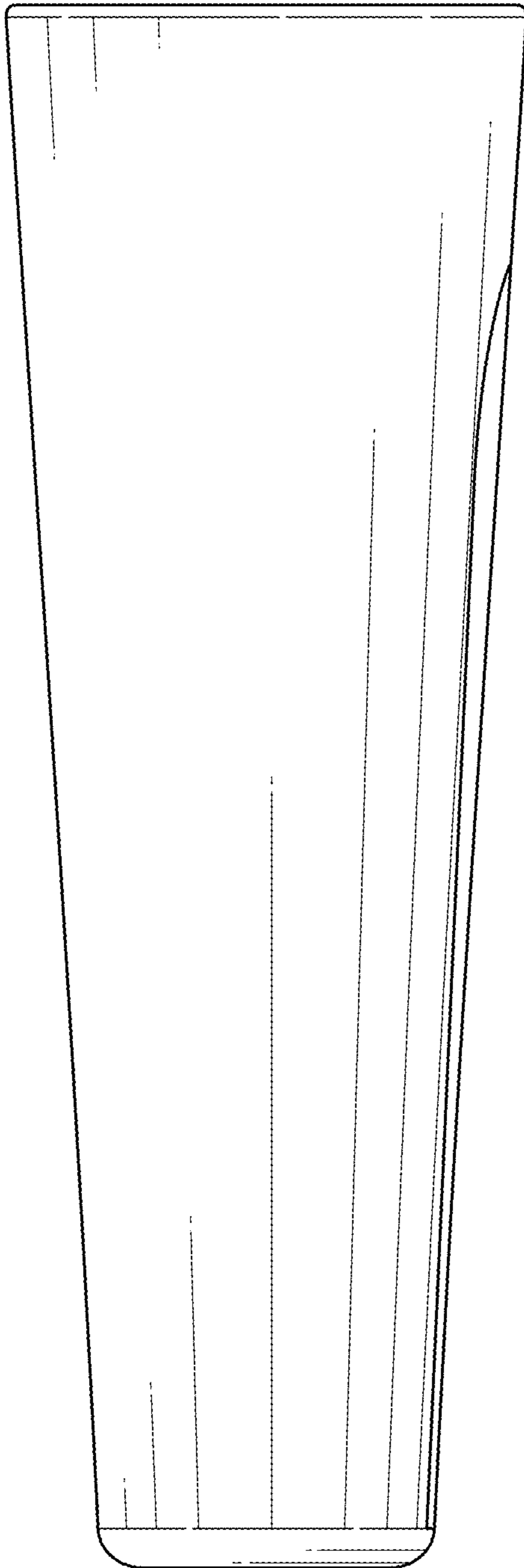


FIG. 6

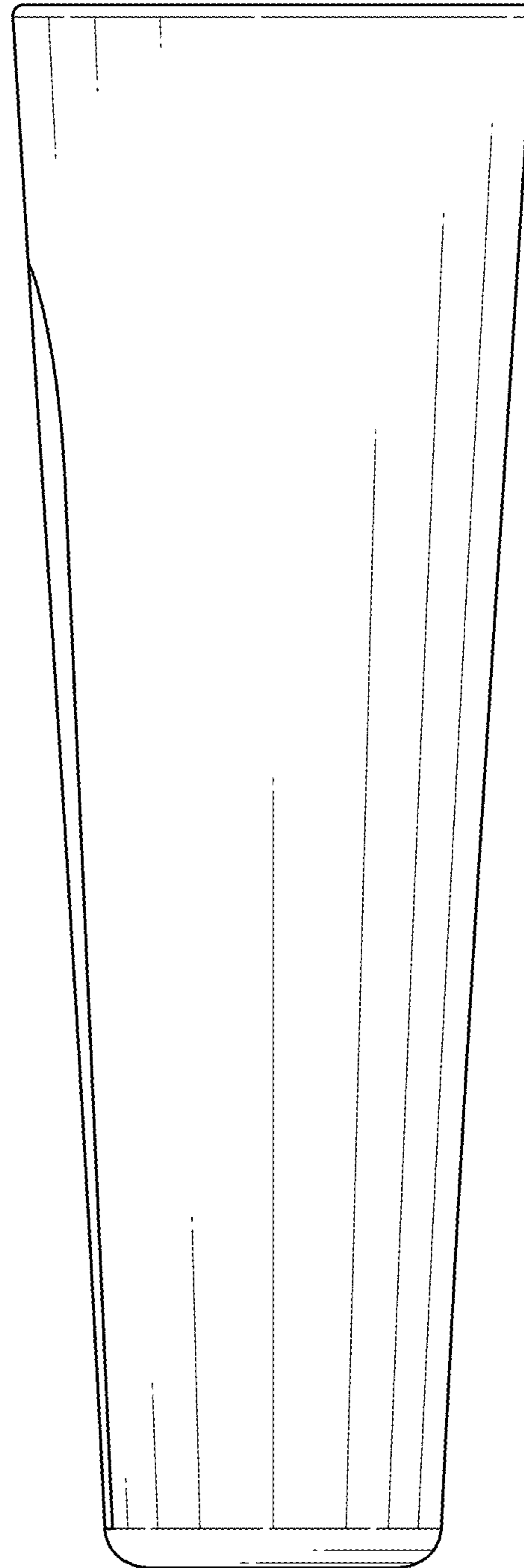


FIG. 7

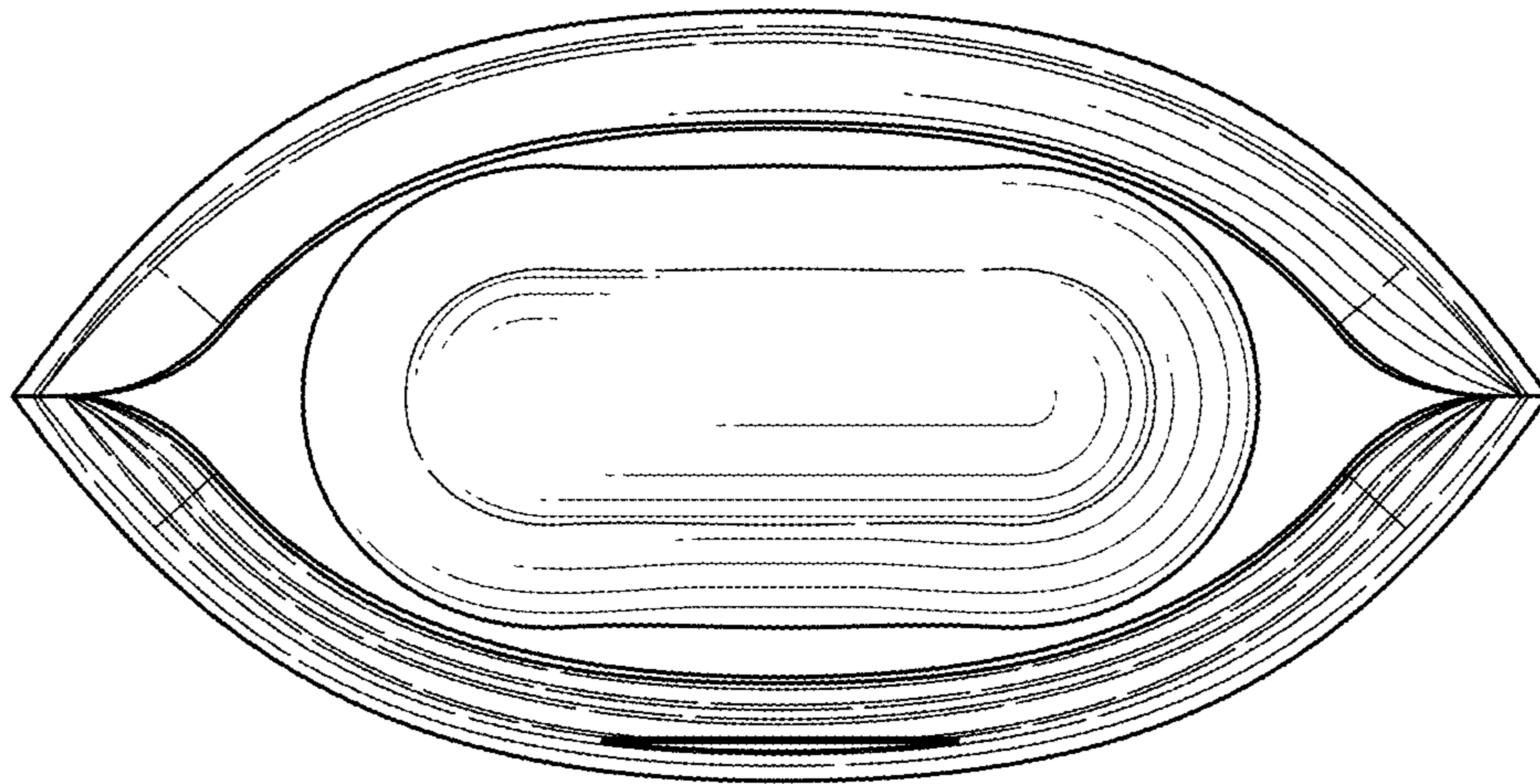


FIG. 8

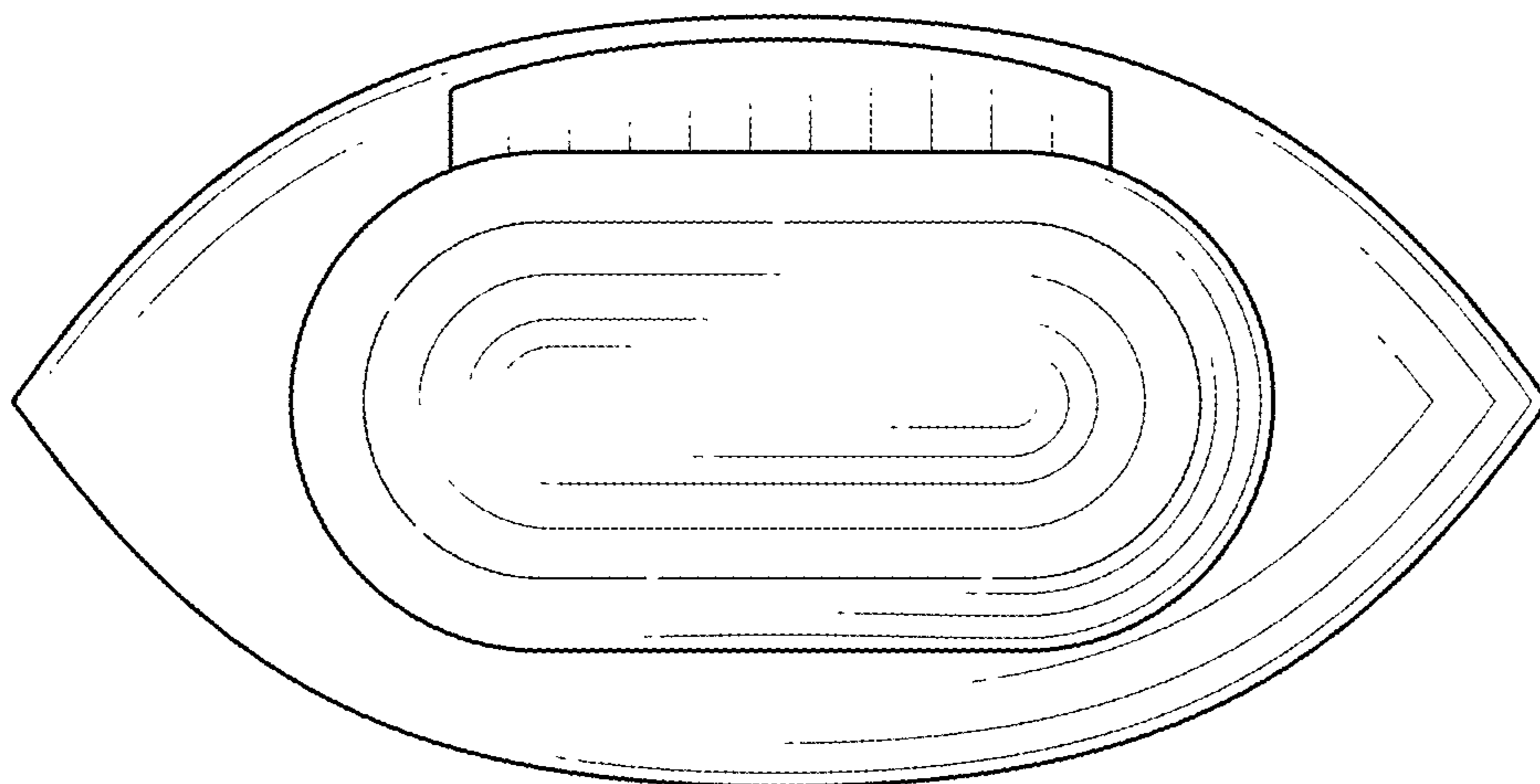


FIG. 9

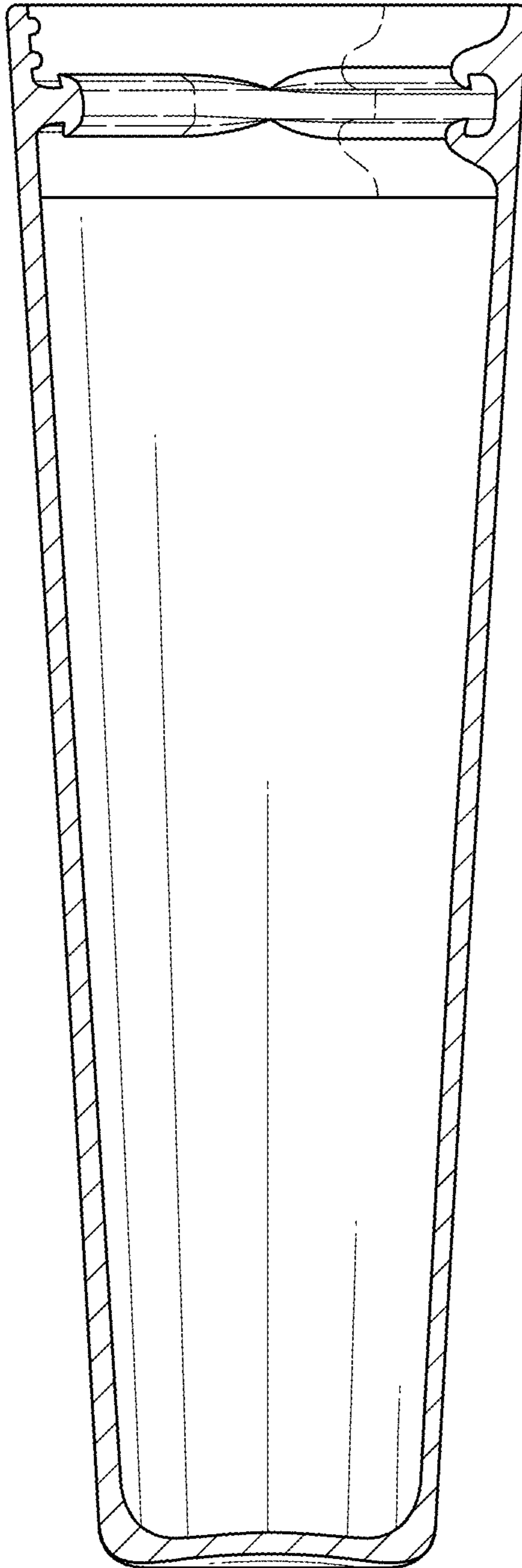


FIG. 10

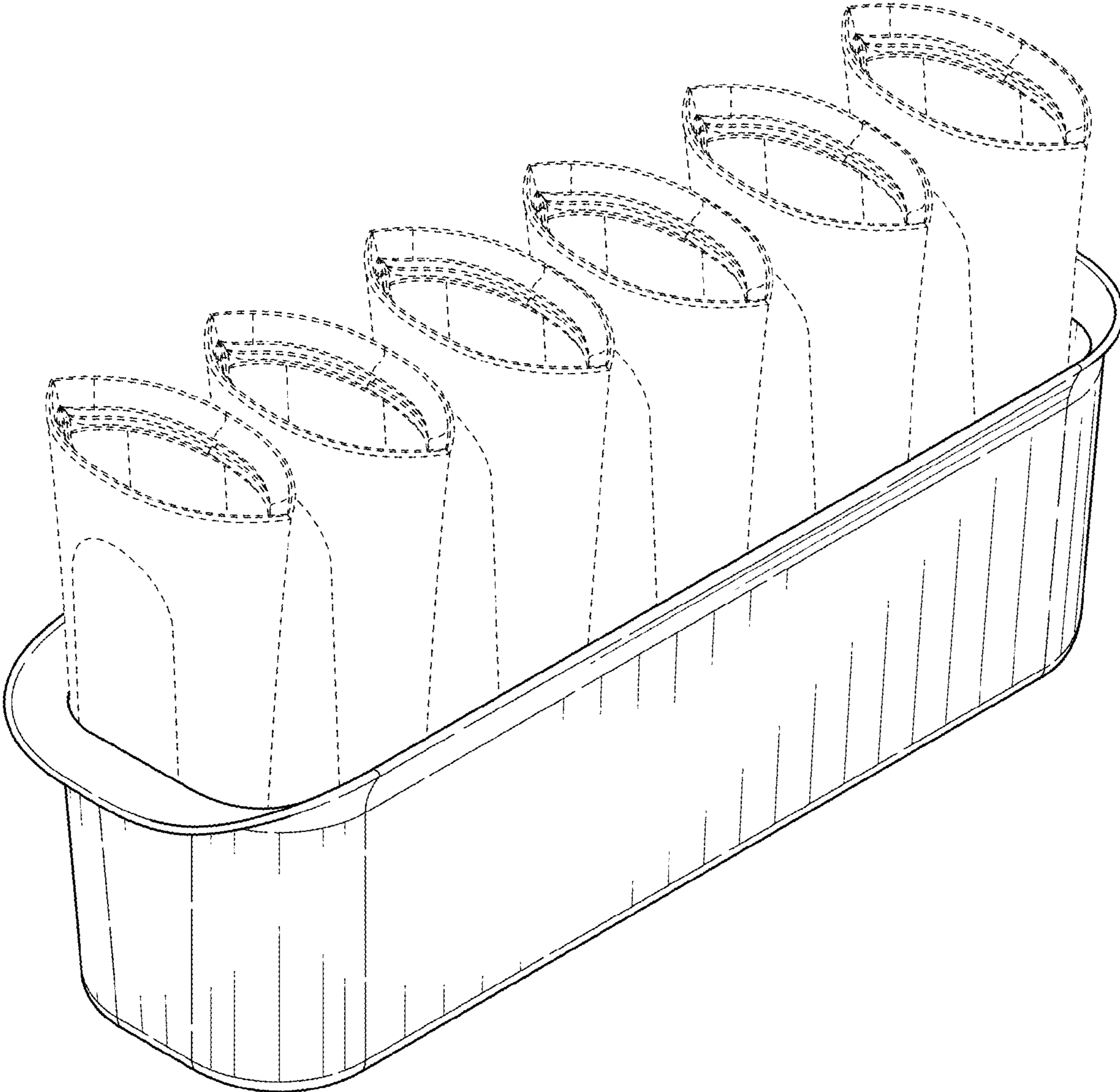


FIG. 11

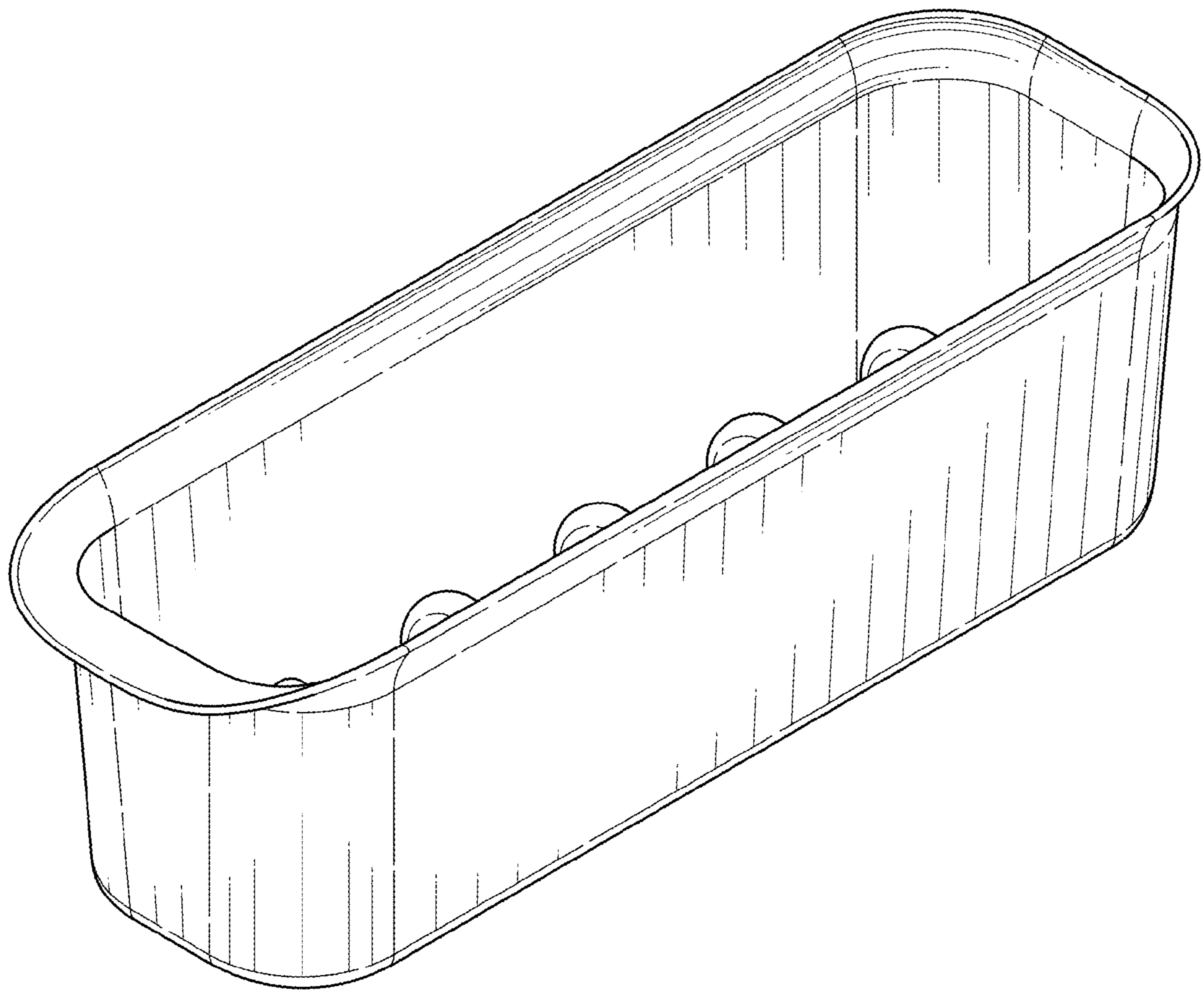


FIG. 12

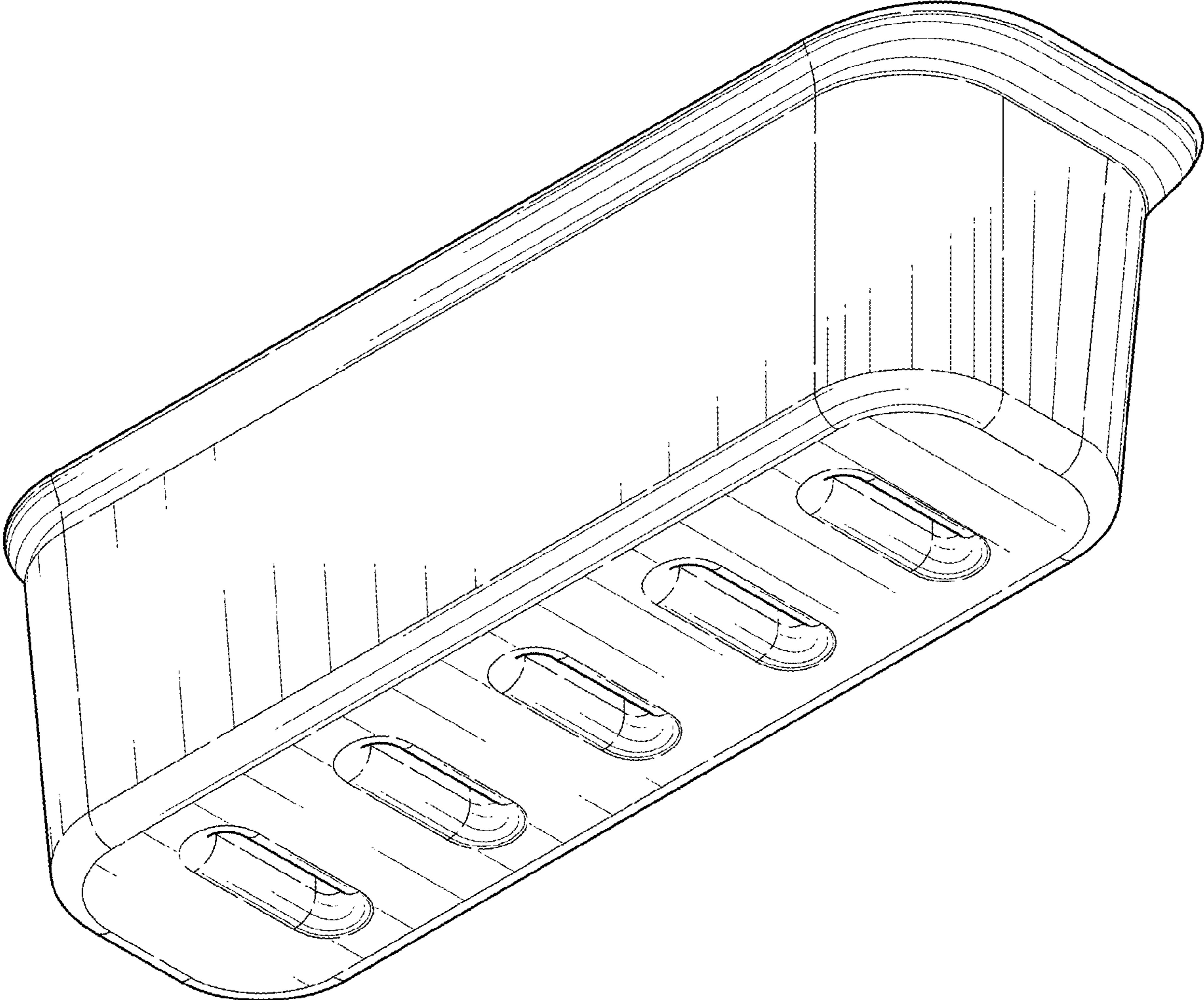


FIG. 13

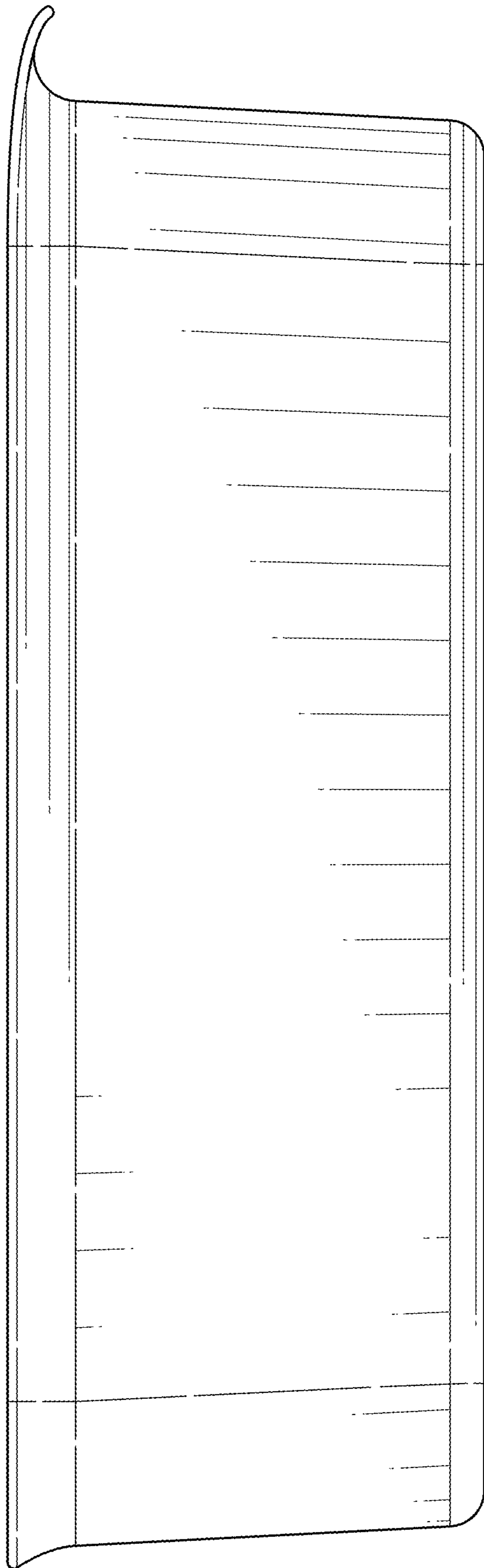


FIG. 14

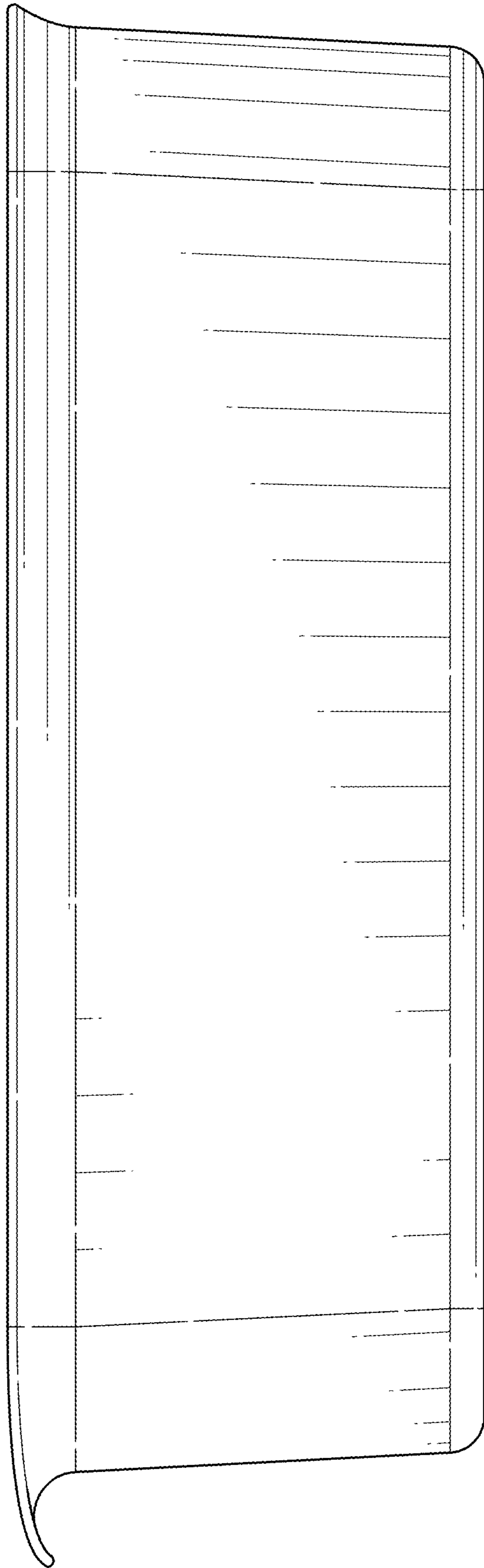


FIG. 15

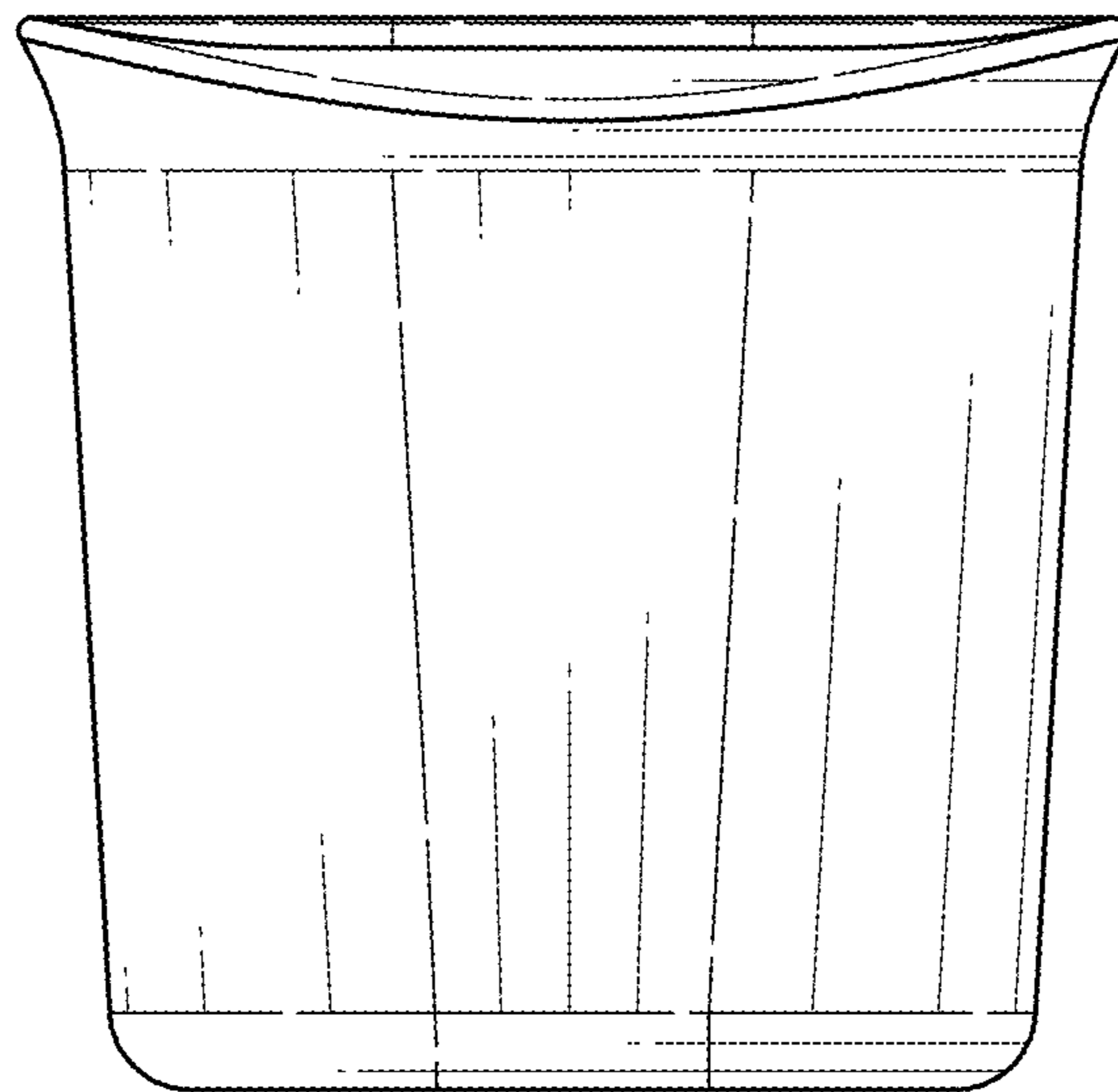


FIG. 16

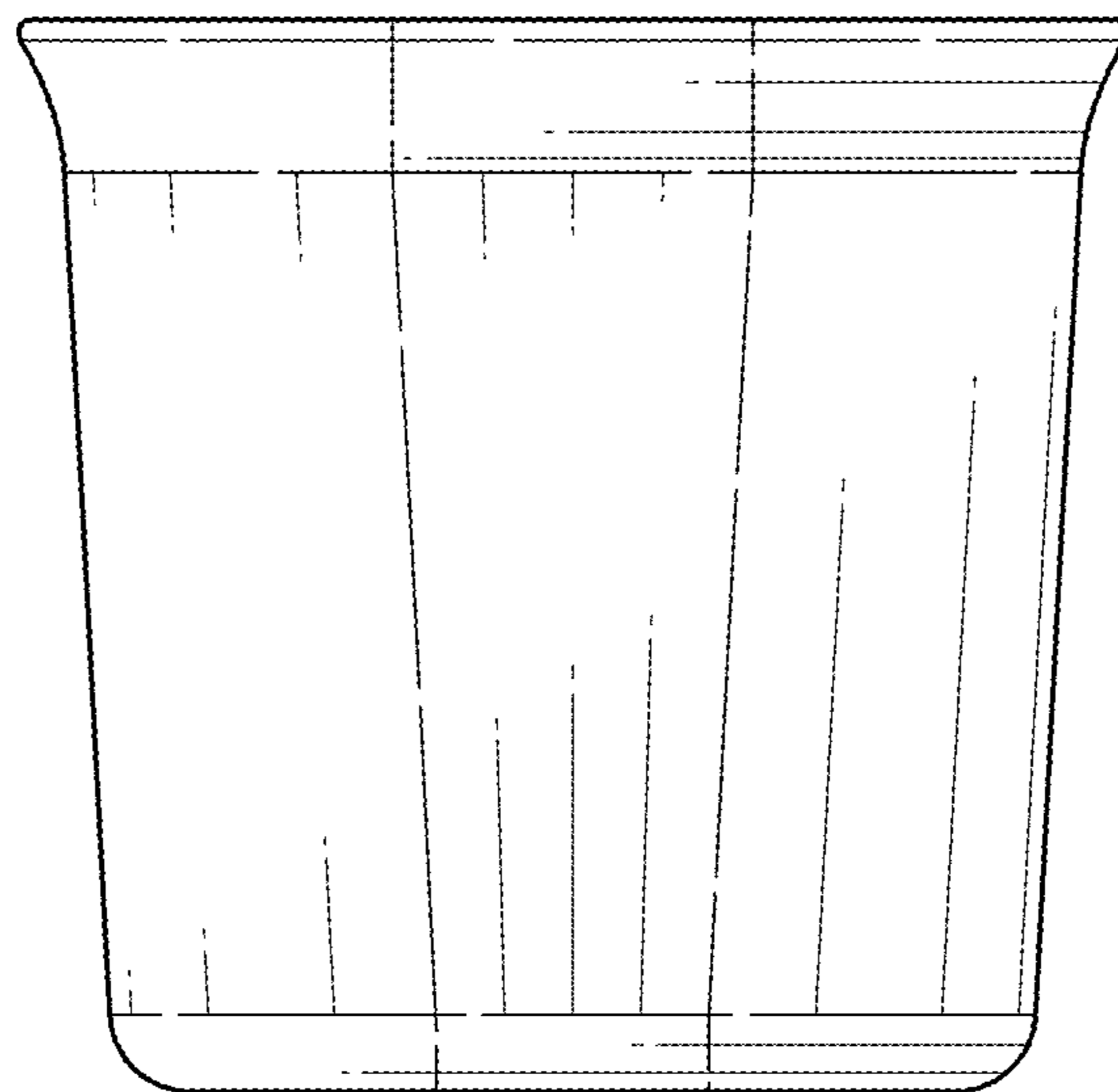


FIG. 17

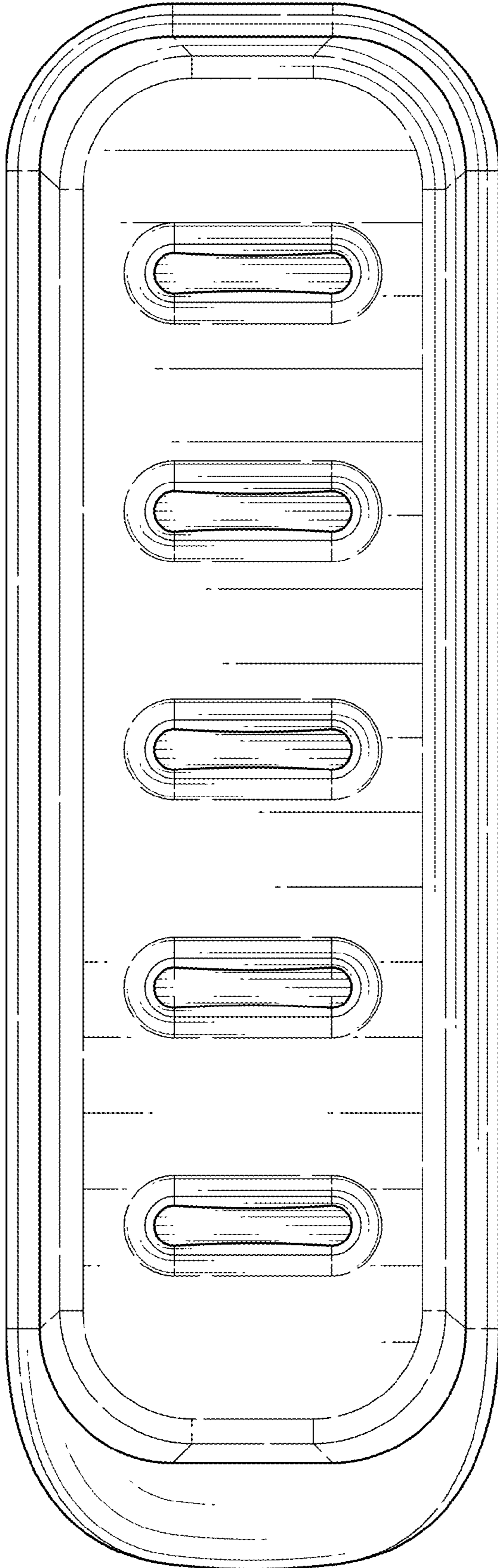


FIG. 18

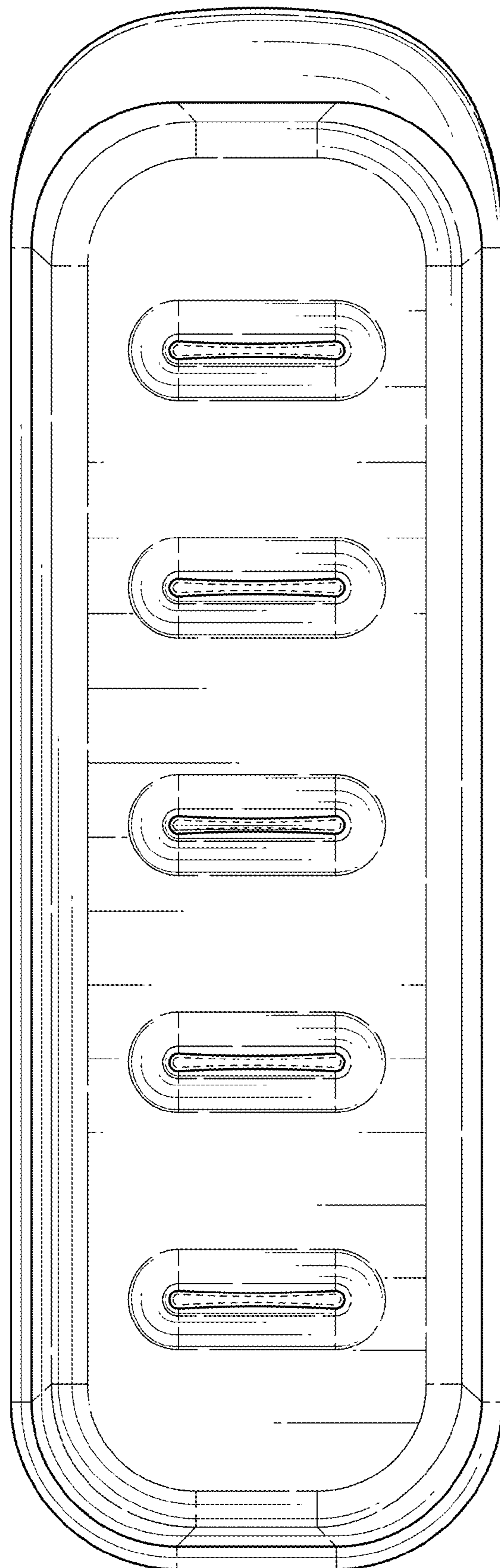


FIG. 19