



US00D874872S

(12) **United States Design Patent** (10) **Patent No.:** **US D874,872 S**
Godinger (45) **Date of Patent:** **** Feb. 11, 2020**

(54) **DISPENSER BASE**
(71) Applicant: **Arnold Godinger**, Brooklyn, NY (US)
(72) Inventor: **Arnold Godinger**, Brooklyn, NY (US)
(73) Assignee: **GODINGER SILVER ART, LTD.**,
Ridgewood, NY (US)

D395,554 S * 6/1998 Perkins, Jr. D6/300
D396,783 S * 8/1998 Lee D7/701
D458,967 S * 6/2002 Ho D19/59
6,523,705 B2 * 2/2003 Henderson A47F 7/283
211/181.1
D511,121 S * 11/2005 Petree, Jr. D11/131
D524,111 S * 7/2006 Goodman D7/601
D547,376 S * 7/2007 Pachler D19/61
D587,057 S * 2/2009 Mandel D7/301

(Continued)

(**) Term: **15 Years**

(21) Appl. No.: **29/638,085**

(22) Filed: **Feb. 23, 2018**

(51) **LOC (12) Cl.** **07-01**

(52) **U.S. Cl.**
USPC **D7/397**; D7/600.1; D7/601; D11/131;
D11/164

(58) **Field of Classification Search**
USPC D7/600.1, 619.1, 701, 397, 610, 601,
D7/504, 505, 558, 553.6, 552.2, 554.2,
D7/543, 569, 567, 547, 566, 587, 545,
D7/584; D9/451, 439, 441, 440, 448,
D9/454; D30/129, 133; D11/164, 131;
D19/83, 92, 99

CPC A47G 19/02; A47G 19/00; A47B 96/021;
A01K 39/0125; A01K 5/0114

See application file for complete search history.

(56) **References Cited**

U.S. PATENT DOCUMENTS

1,801,310 A * 4/1931 Heagney B43M 99/001
211/69.6
2,379,468 A * 7/1945 Arnold G09B 27/08
434/145
D149,933 S * 6/1948 Bushman D7/622
2,775,230 A * 12/1956 Craig B43M 99/001
312/328
D300,790 S * 4/1989 Beckwith D11/131
D335,401 S * 5/1993 Nations D11/131
D356,906 S * 4/1995 Dardashti D6/674
D361,472 S * 8/1995 Heilicher D7/505
D363,948 S * 11/1995 Danielson D19/179
D369,482 S * 5/1996 McArdle D7/601

OTHER PUBLICATIONS

https://www.amazon.com/Whiskey-Decanter-Beverage-Dispenser-Alcohol/dp/B01N7IB71N/ref=sr_1_1?ie=UTF8&qid=1506974820&sr=8-1&keywords=royal+decanters+whiskey+decanter
https://www.amazon.com/dp/B011S8AQN8/ref=sspa_dk_detail_2?psc=1&pd_rd_i=B011S8AQN8&pd_rd_wg=53WWK&pd_rd_r=DMW7M22WQ62EH74ZWWHE&pd_rd_w=0A2bF
https://www.amazon.com/dp/B072K9F286/ref=sspa_dk_detail_1?psc=1&pd_rd_i=B072K9F286&pd_rd_wg=v2Kub&pd_rd_r=ADXT9REZ3SBNZCXGJ1ZE&pd_rd_w=LZILH

Primary Examiner — Marianne N Pandozzi
(74) *Attorney, Agent, or Firm* — Cozen O'Connor

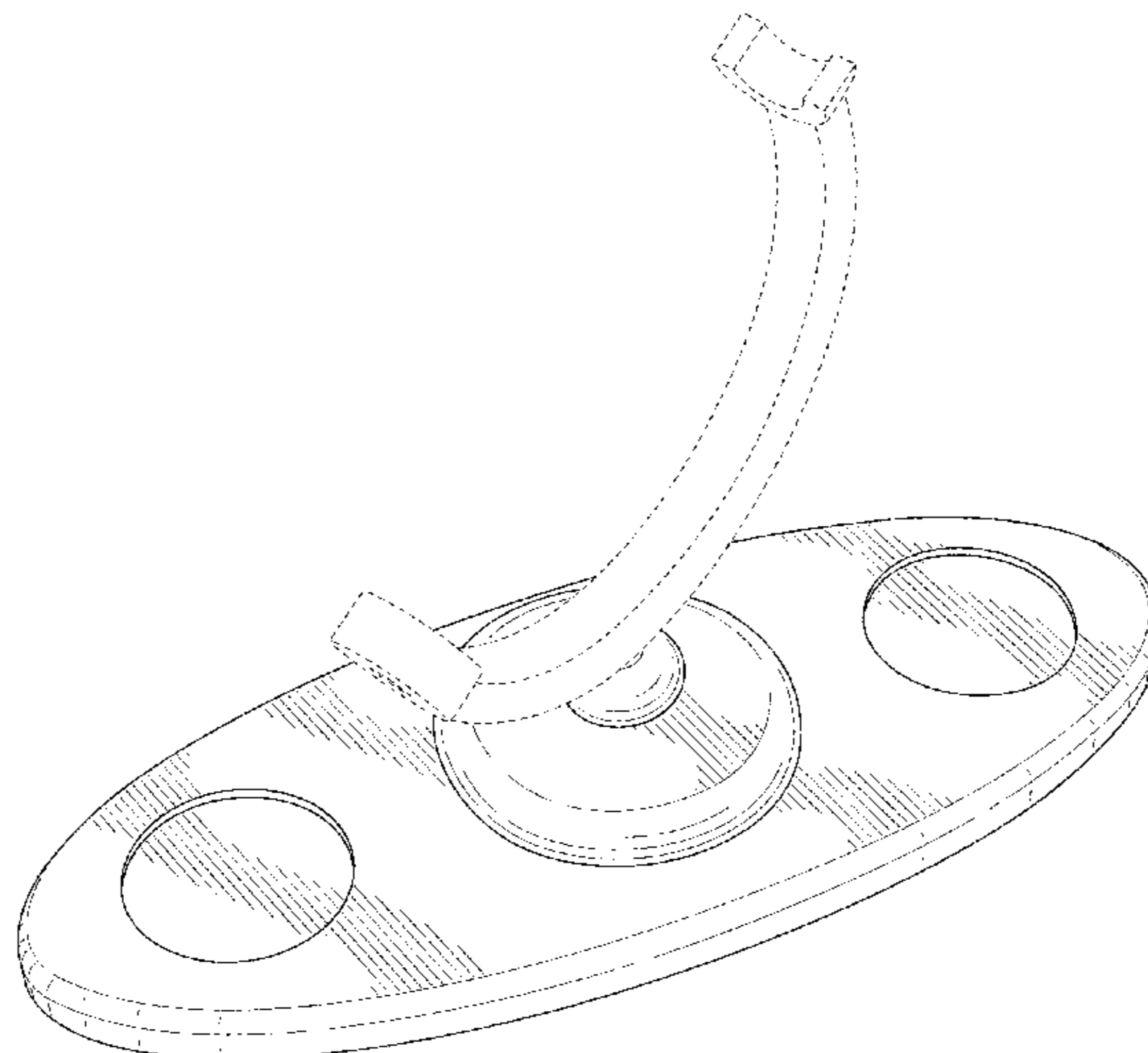
(57) **CLAIM**

The ornamental design for a dispenser base, as shown and described.

DESCRIPTION

FIG. 1 is a top perspective view of a dispenser base showing my new design;
FIG. 2 is a front view thereof;
FIG. 3 is a rear view thereof;
FIG. 4 is a left side view thereof;
FIG. 5 is a right-side view thereof;
FIG. 6 is a top view thereof;
FIG. 7 is a bottom view thereof; and,
FIG. 8 is an environmental in use perspective view thereof showing positioned beverage dispenser and glasses.
The broken lines in the drawing depict environmental subject matter only and form no part of the claimed design.

1 Claim, 8 Drawing Sheets



(56)

References Cited

U.S. PATENT DOCUMENTS

8,067,095 B1 * 11/2011 Beckworth A47G 33/004
428/542.4
8,215,681 B2 * 7/2012 Stevenson D04G 5/00
289/16.5
D680,295 S * 4/2013 Pennington D99/28
D698,203 S * 1/2014 Goodman D7/601
D739,190 S * 9/2015 Kasza D7/701
D770,236 S * 11/2016 Pattipati D7/619.1
D817,721 S * 5/2018 Wilson D7/601
D824,263 S * 7/2018 Hirschhorn D9/544
D839,948 S * 2/2019 Chueh D16/242
D851,454 S * 6/2019 Lefkowitz D7/506

* cited by examiner

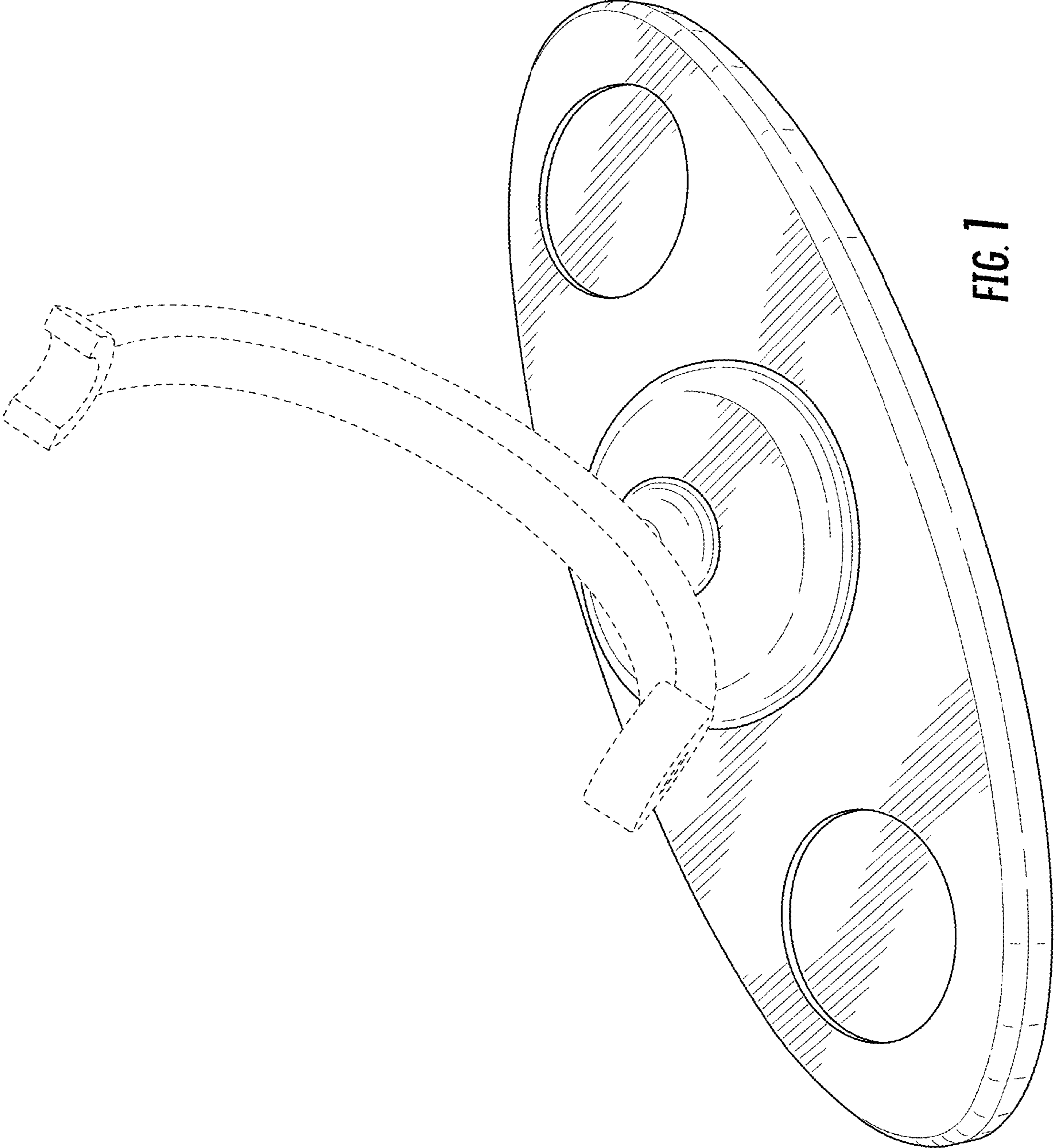


FIG. 1

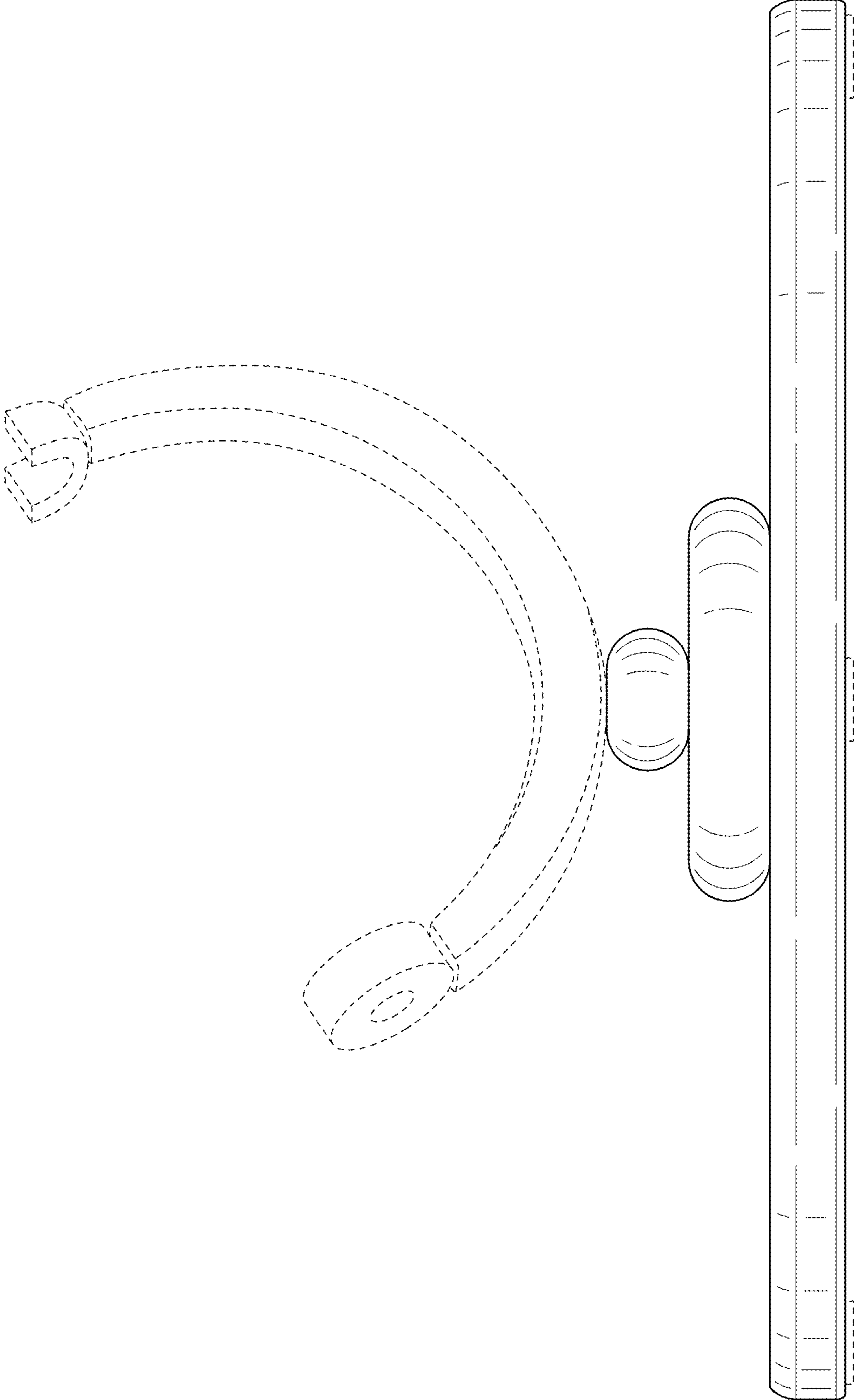


FIG. 2

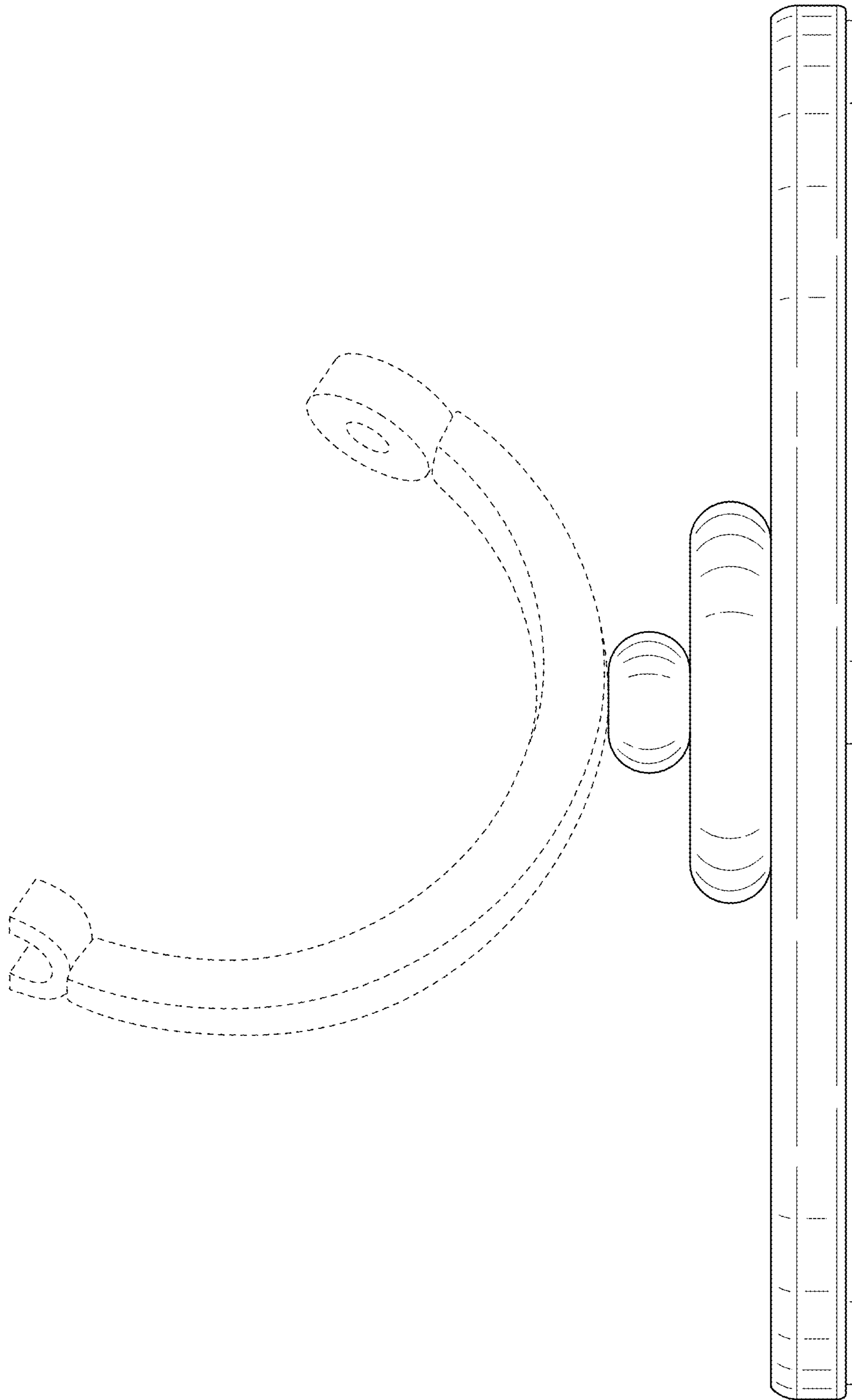


FIG. 3

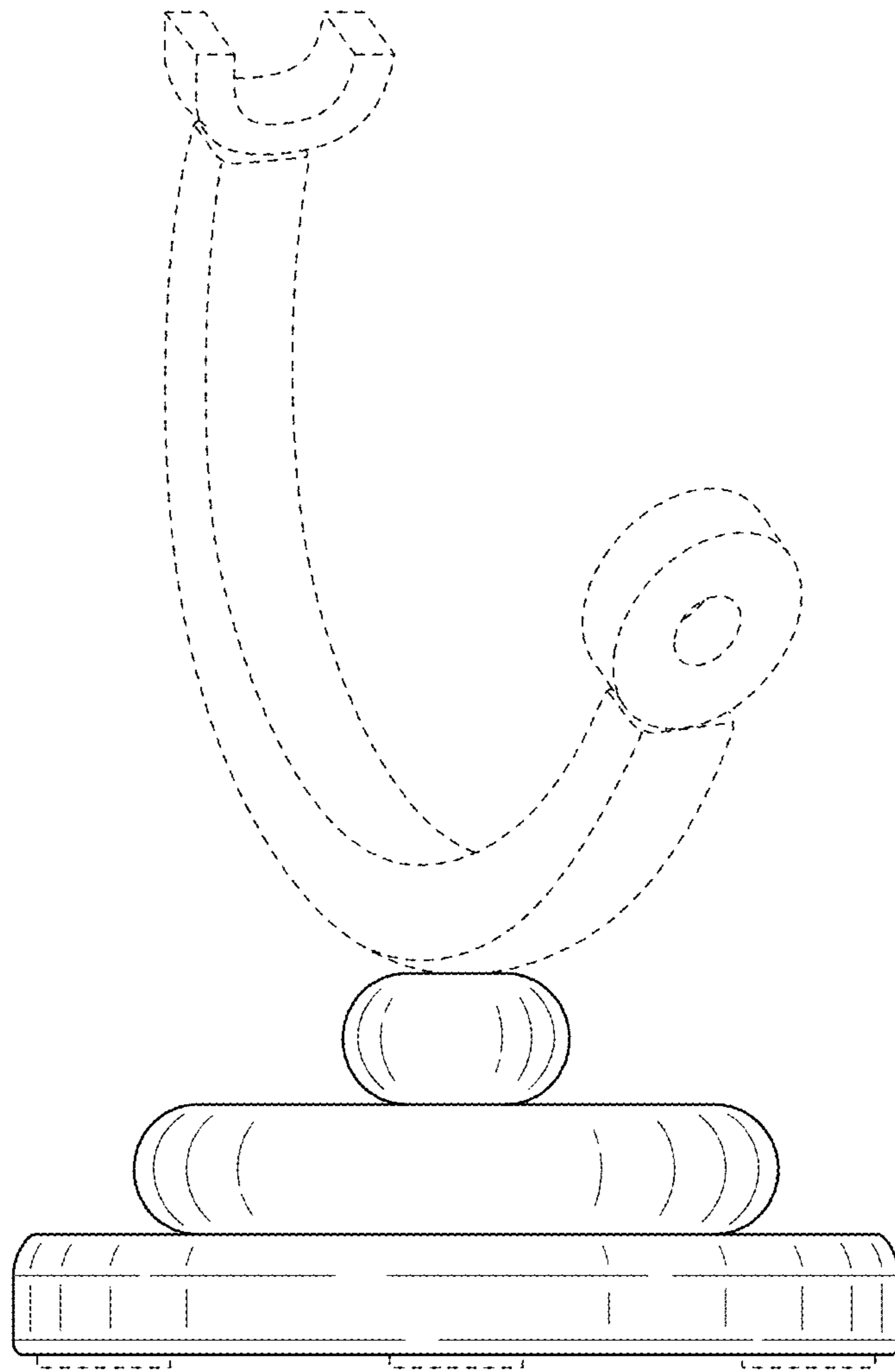


FIG. 4

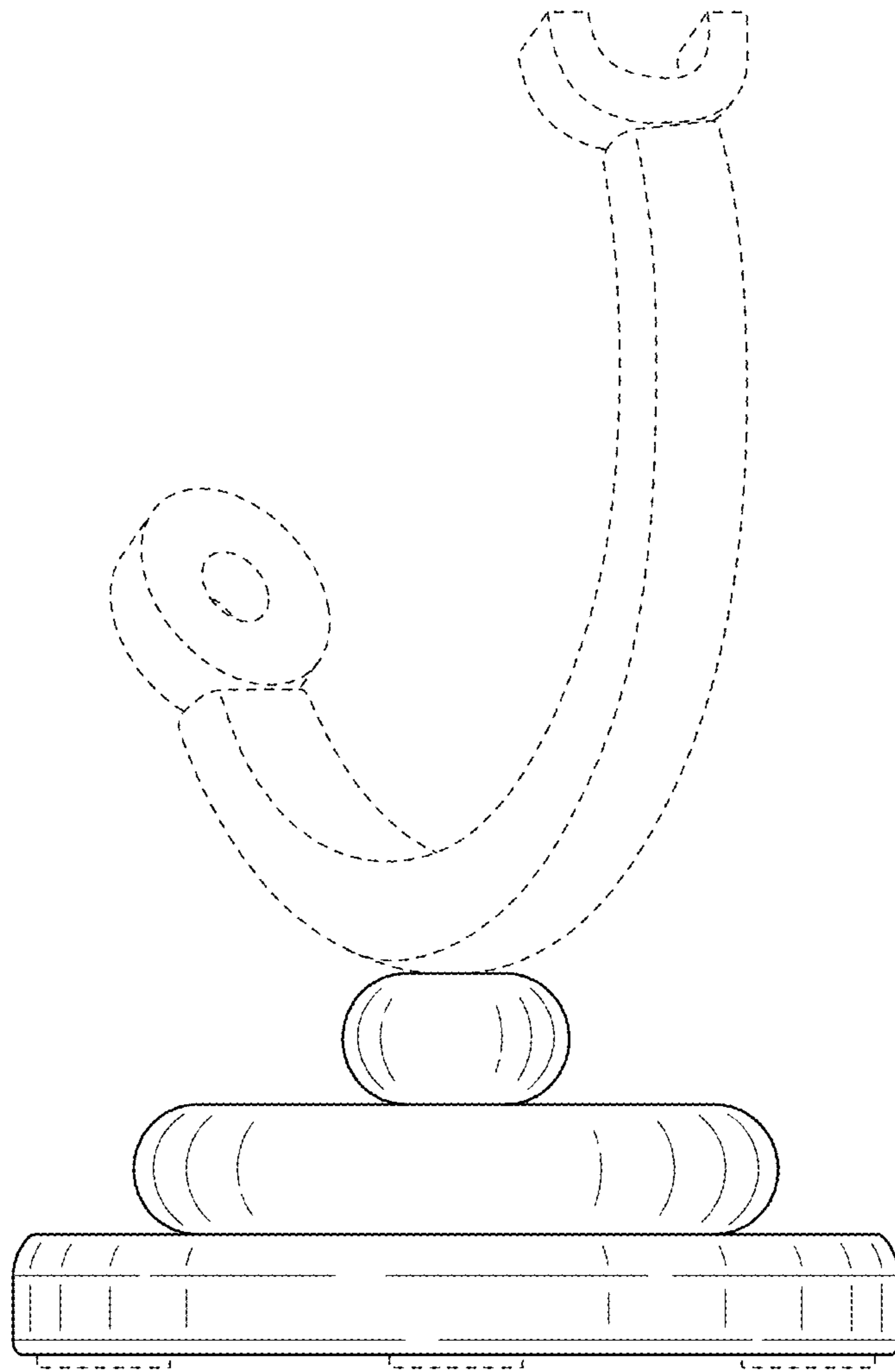


FIG. 5

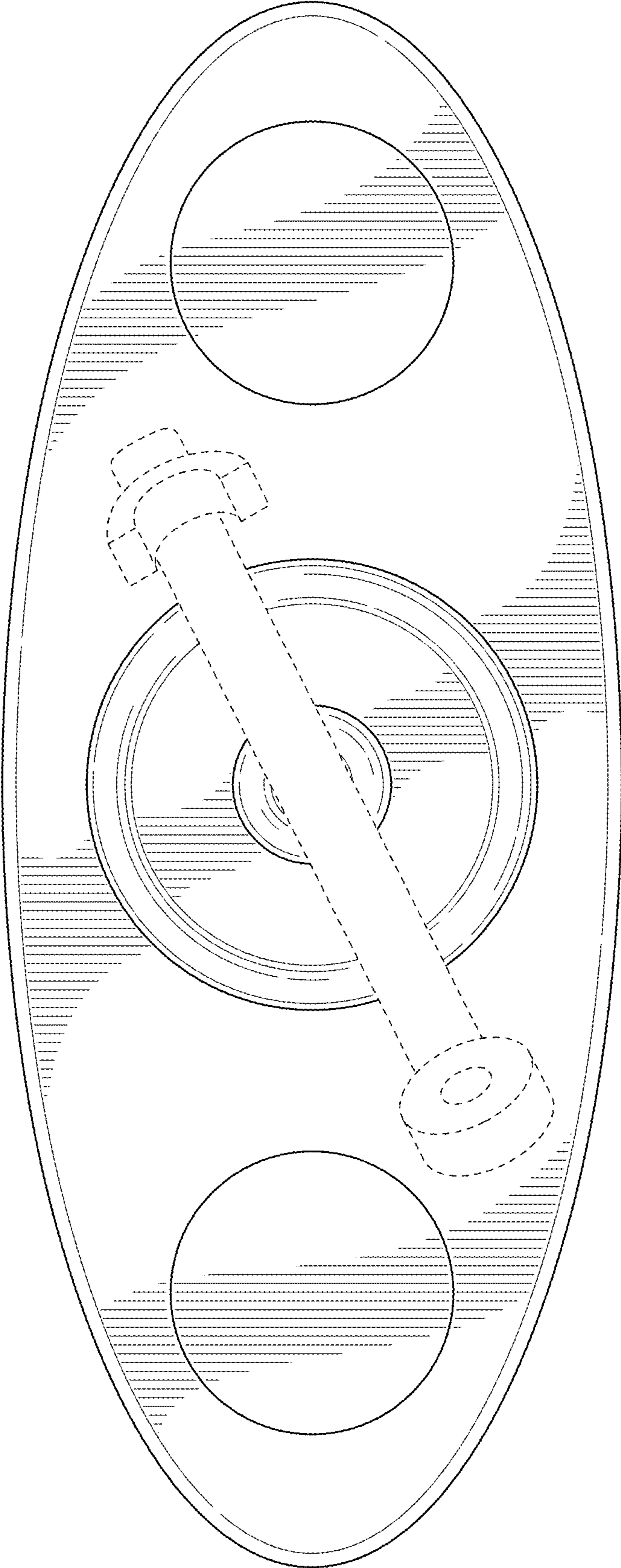


FIG. 6

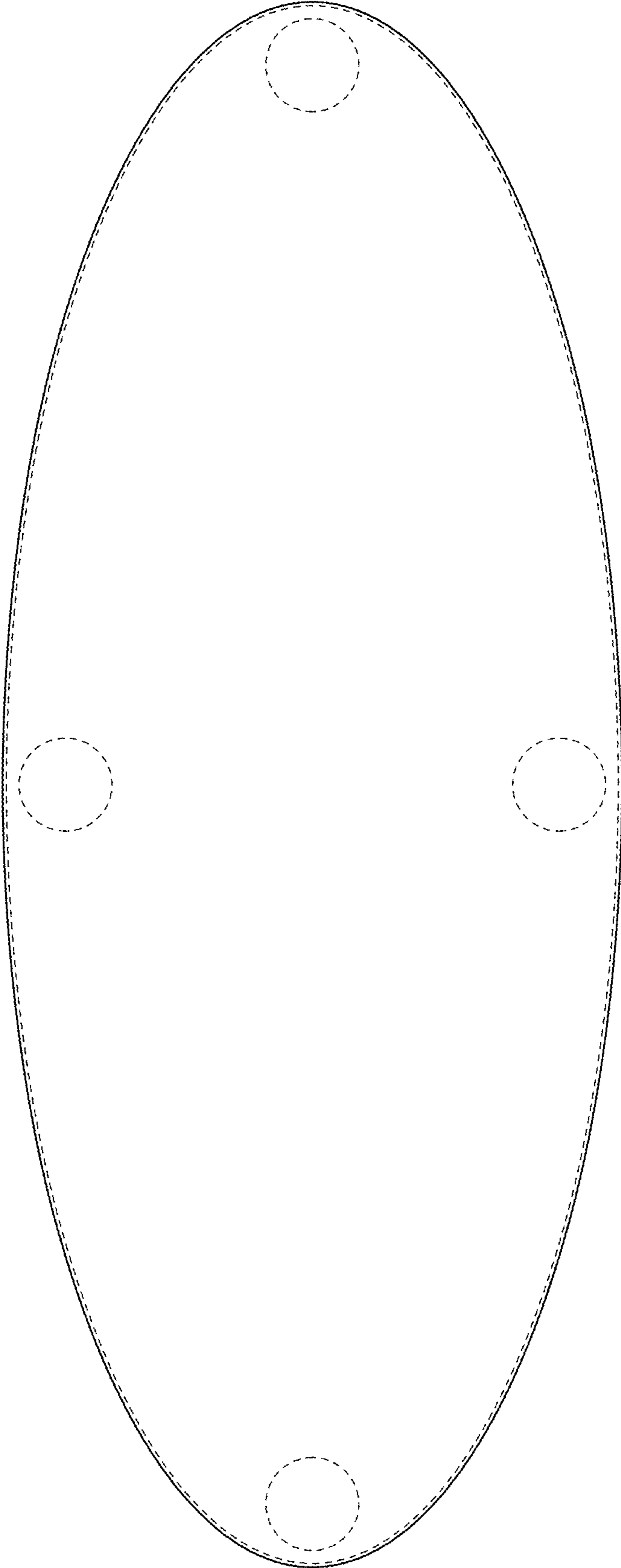


FIG. 7

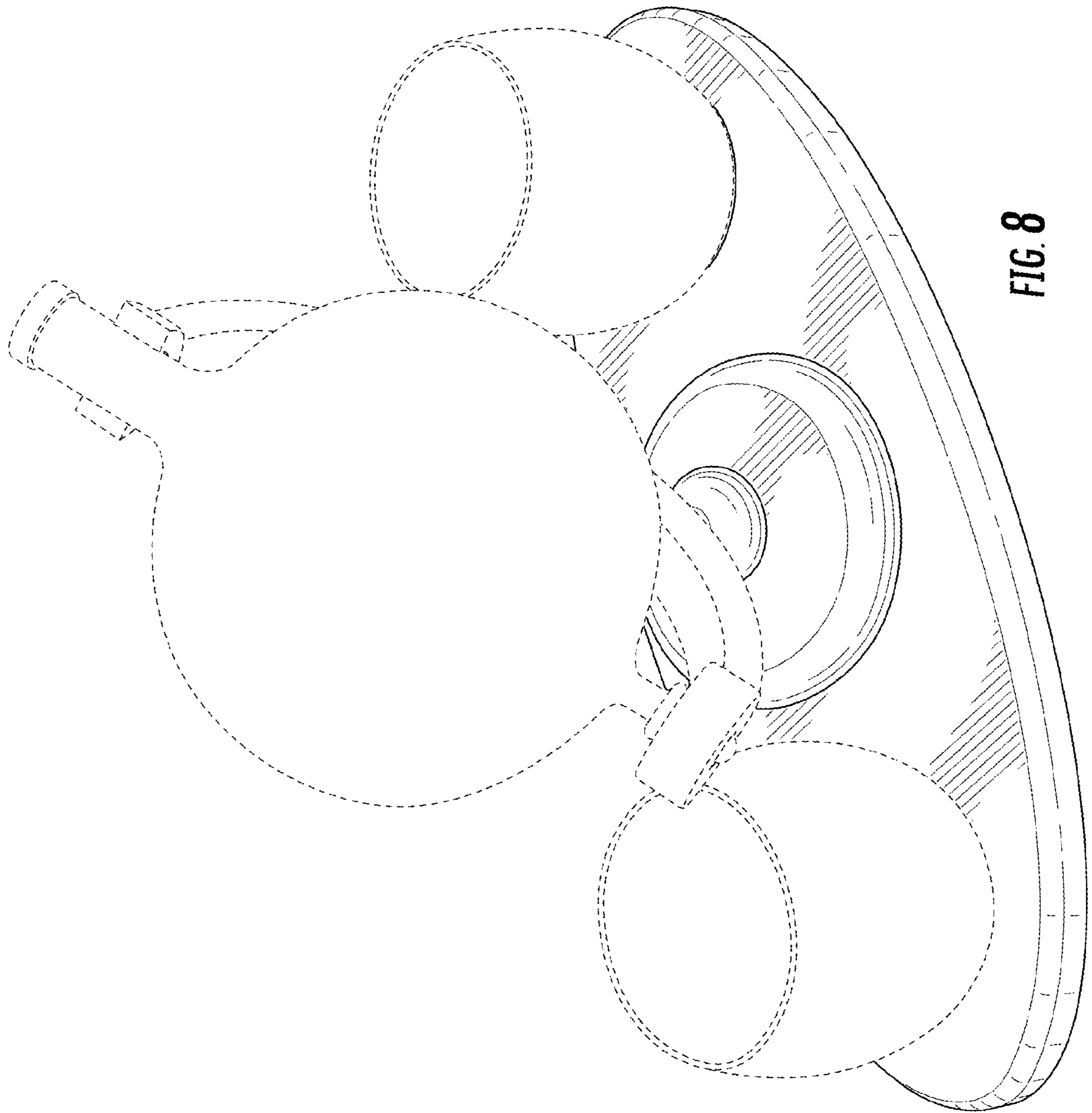


FIG. 8