

US00D874869S

(12) **United States Design Patent** (10) **Patent No.:** **US D874,869 S**  
**McConnell et al.** (45) **Date of Patent:** **\*\* Feb. 11, 2020**

(54) **BLENDER ASSEMBLY AND COMPONENTS RELATED THERETO**

(71) Applicant: **WHIRLPOOL CORPORATION**,  
Benton Harbor, MI (US)

(72) Inventors: **John W. McConnell**, St. Joseph, MI  
(US); **Brandon T. Mock**, St. Joseph,  
MI (US)

(73) Assignee: **Whirlpool Corporation**, Benton  
Harbor, MI (US)

(\*\*) Term: **15 Years**

(21) Appl. No.: **29/689,432**

(22) Filed: **Apr. 30, 2019**

**Related U.S. Application Data**

(62) Division of application No. 29/639,761, filed on Mar. 8, 2018, now Pat. No. Des. 852,574.

(51) **LOC (12) Cl.** ..... **31-00**

(52) **U.S. Cl.**  
USPC ..... **D7/386; D7/376; D7/378**

(58) **Field of Classification Search**  
USPC ..... D7/372, 376–386, 412–413, 602, 629,  
D7/665–666, 669, 679, 693–694  
CPC .... A21C 1/02; A21C 1/04; A23N 1/00; A23N  
1/02; A47J 43/04; A47J 43/25; A47J  
43/27; A47J 43/042; A47J 43/044; A47J  
43/046; A47J 43/075; A47J 43/0722;  
A47J 43/0727; B01F 3/00; B01F 3/0807;  
B01F 3/0853; B01F 13/0059; B01F  
13/0064; B02C 1/08; B02C 2/04; B02C  
4/42; B02C 4/142; B02C 4/143; B02C  
4/423; B02C 13/1835; B28C 5/10; B28C  
5/12; B28C 5/14; B28C 5/16

See application file for complete search history.

(56) **References Cited**

**U.S. PATENT DOCUMENTS**

|            |   |         |                  |        |
|------------|---|---------|------------------|--------|
| D176,257 S | * | 12/1955 | Hill .....       | D7/386 |
| D181,541 S | * | 11/1957 | Madl .....       | D7/378 |
| D187,684 S | * | 4/1960  | Hauser .....     | D7/386 |
| D200,494 S | * | 3/1965  | Bezark .....     | D7/386 |
| D287,327 S |   | 12/1986 | Cavalli          |        |
| D310,153 S |   | 8/1990  | Kaiser           |        |
| D424,865 S |   | 5/2000  | Crescenzi et al. |        |
| D444,995 S |   | 7/2001  | Thackray         |        |
| D484,357 S |   | 12/2003 | Seum et al.      |        |
| D488,344 S |   | 4/2004  | Seum et al.      |        |
| D502,047 S |   | 2/2005  | Ledingham et al. |        |

(Continued)

*Primary Examiner* — Ricky Pham

(74) *Attorney, Agent, or Firm* — Price Heneveld LLP

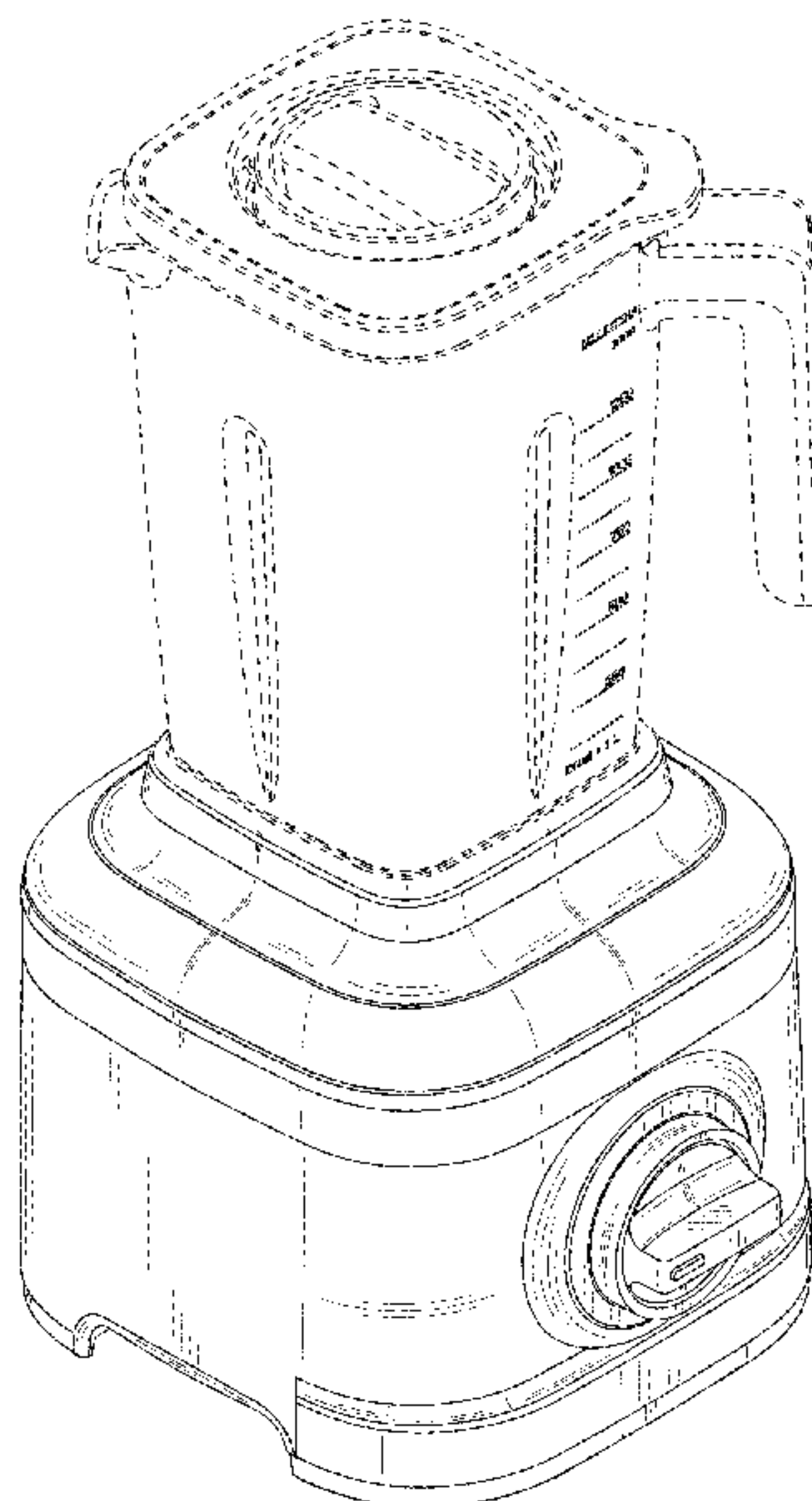
(57) **CLAIM**

We claim the ornamental design for a blender assembly and components related thereto, as shown and described.

**DESCRIPTION**

FIG. 1 is a front top perspective view of a blender assembly of the present disclosure;  
FIG. 2 is a rear top perspective view of the blender assembly of FIG. 1;  
FIG. 3 is a front elevational view of the blender assembly of FIG. 1;  
FIG. 4 is a rear elevational view of the blender assembly of FIG. 1;  
FIG. 5 is a first side elevational view of the blender assembly of FIG. 1;  
FIG. 6 is a second side elevational view of the blender assembly of FIG. 1;  
FIG. 7 is a top plan view of the blender assembly of FIG. 1; and,  
FIG. 8 is a bottom plan view of the blender assembly of FIG. 1.  
The broken lines depict portions of the article that form no part of the claimed design.

**1 Claim, 8 Drawing Sheets**



(56)

References Cited

U.S. PATENT DOCUMENTS

|            |         |                |              |         |                          |
|------------|---------|----------------|--------------|---------|--------------------------|
| D502,842 S | 3/2005  | Hallar         | D694,583 S   | 12/2013 | Norland                  |
| D526,531 S | 8/2006  | Drees et al.   | D702,993 S   | 4/2014  | Lownds                   |
| D533,395 S | 12/2006 | Drees et al.   | D711,682 S   | 8/2014  | Norland et al.           |
| D547,601 S | 7/2007  | Ting et al.    | D731,234 S   | 6/2015  | Weaden et al.            |
| D552,412 S | 10/2007 | Steiner        | D731,236 S   | 6/2015  | Yin                      |
| D577,257 S | 9/2008  | Kuan           | D739,679 S   | 9/2015  | Benoit et al.            |
| D577,537 S | 9/2008  | Lee            | D747,135 S   | 1/2016  | Ha                       |
| D578,341 S | 10/2008 | Picozza et al. | D755,004 S   | 5/2016  | Bock et al.              |
| D587,064 S | 2/2009  | Mark           | D761,617 S   | 7/2016  | Dennisur et al.          |
| D594,697 S | 6/2009  | Lavy           | D769,061 S   | 10/2016 | Diderotto                |
| D605,462 S | 12/2009 | Picozza et al. | D770,226 S   | 11/2016 | McConnell et al.         |
| D616,244 S | 5/2010  | Thai et al.    | D772,008 S   | 11/2016 | McConnell et al.         |
| D617,136 S | 6/2010  | Bock et al.    | D772,009 S   | 11/2016 | McConnell et al.         |
| D631,282 S | 1/2011  | Ferraby        | D781,098 S   | 3/2017  | Bond et al.              |
| D637,870 S | 5/2011  | Bock           | D782,865 S * | 4/2017  | Bazzicalupo ..... D7/376 |
| D642,858 S | 8/2011  | Lazzer         | D784,071 S   | 4/2017  | Davies                   |
| D644,480 S | 9/2011  | Czach et al.   | D786,613 S   | 5/2017  | McConnell et al.         |
| D667,683 S | 9/2012  | Czach et al.   | D794,381 S   | 8/2017  | McConnell et al.         |
| D670,531 S | 11/2012 | Carlson        | D798,653 S   | 10/2017 | Fan                      |
| D683,180 S | 5/2013  | Carlson        | D811,806 S   | 3/2018  | Bock                     |
| D694,572 S | 12/2013 | Kobos et al.   | D815,887 S   | 4/2018  | Huang et al.             |
| D694,573 S | 12/2013 | Norland et al. | D828,080 S   | 9/2018  | Ou et al.                |
| D694,574 S | 12/2013 | Norland et al. | D829,496 S   | 10/2018 | Kim                      |
| D694,582 S | 12/2013 | Norland        | D844,372 S * | 4/2019  | DeLeo ..... D7/386       |
|            |         |                | D844,374 S * | 4/2019  | McConnell ..... D7/386   |
|            |         |                | D845,696 S * | 4/2019  | Ou ..... D7/378          |
|            |         |                | D852,574 S * | 7/2019  | McConnell ..... D7/378   |

\* cited by examiner

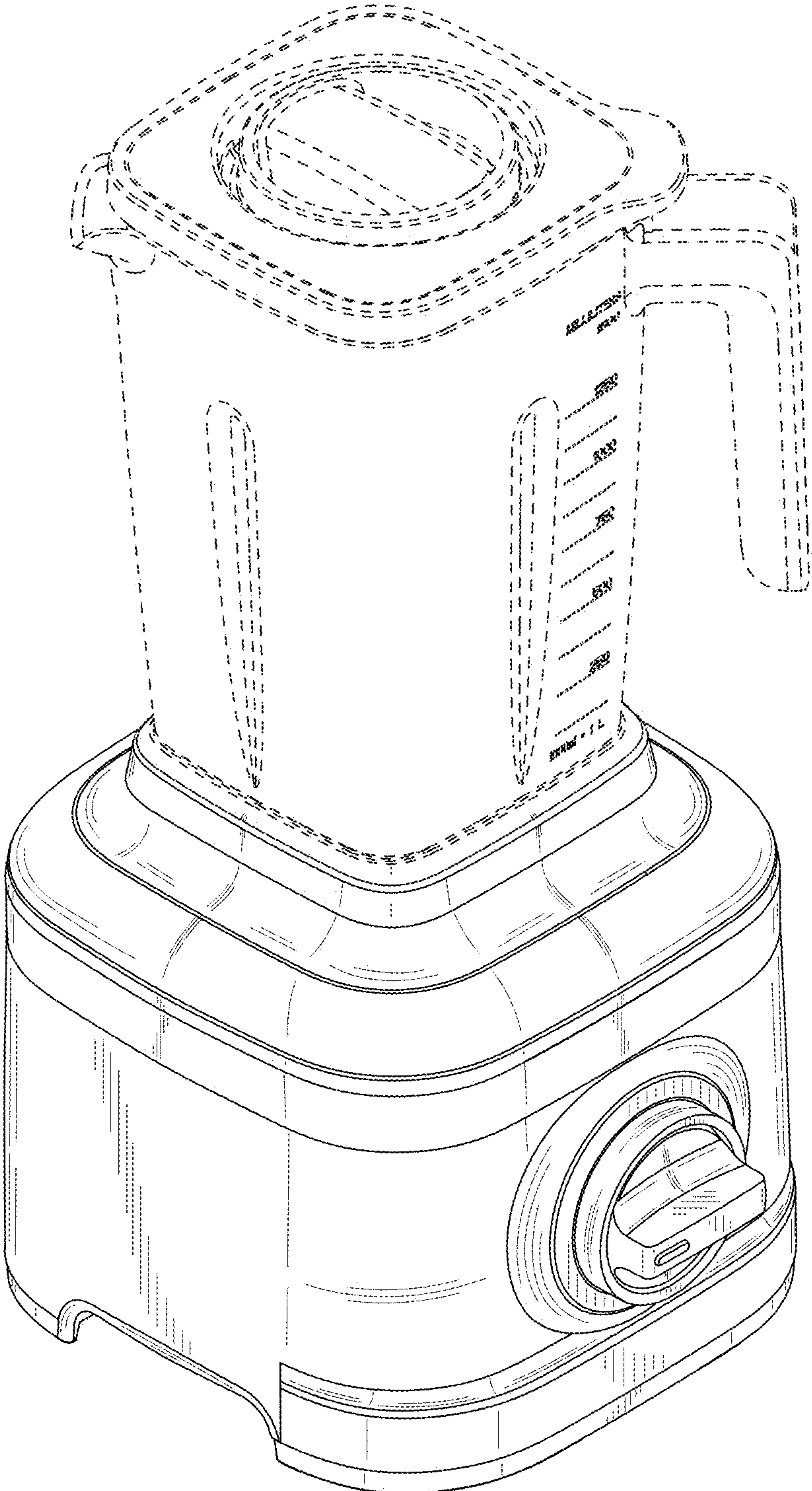


FIG. 1



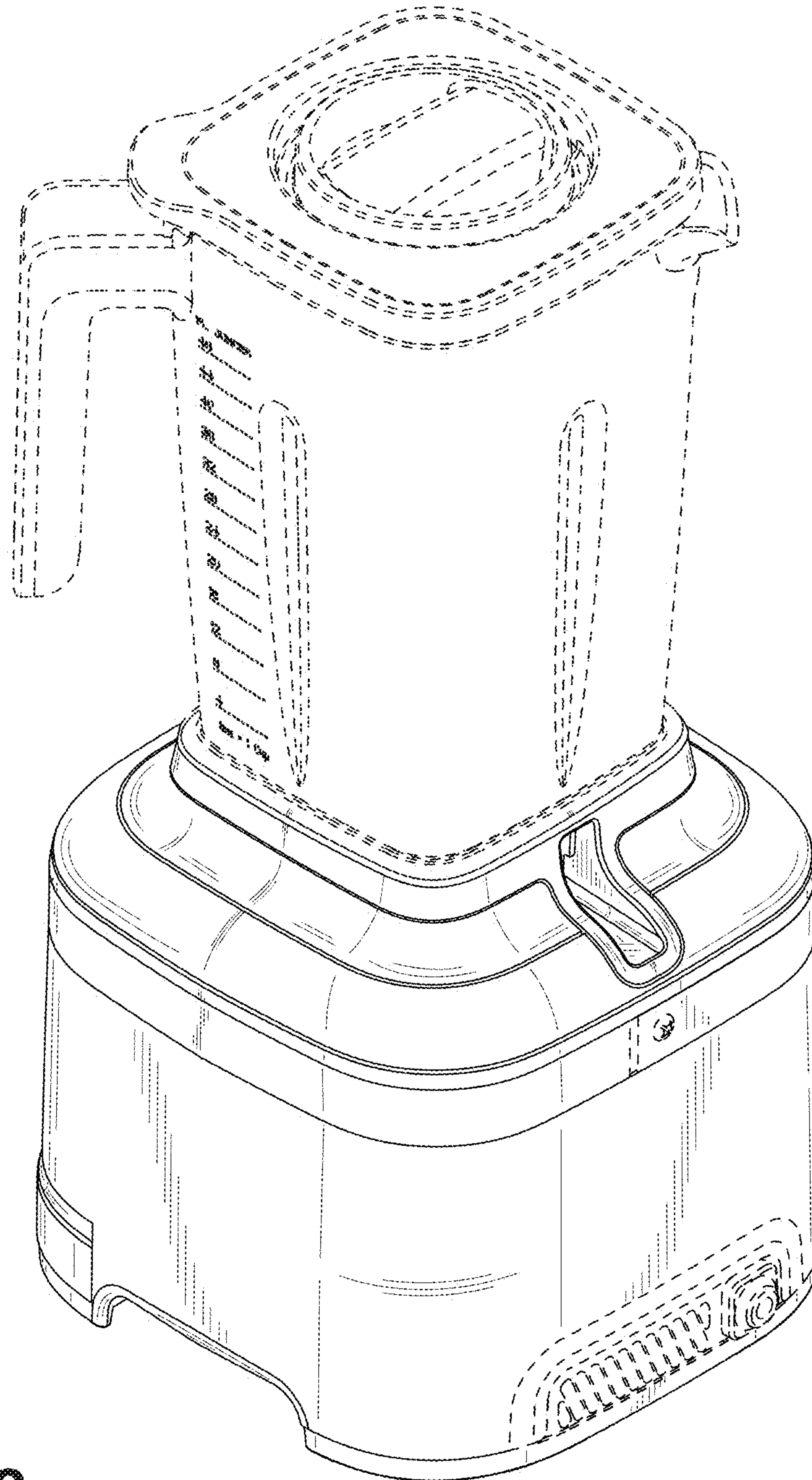


FIG. 2

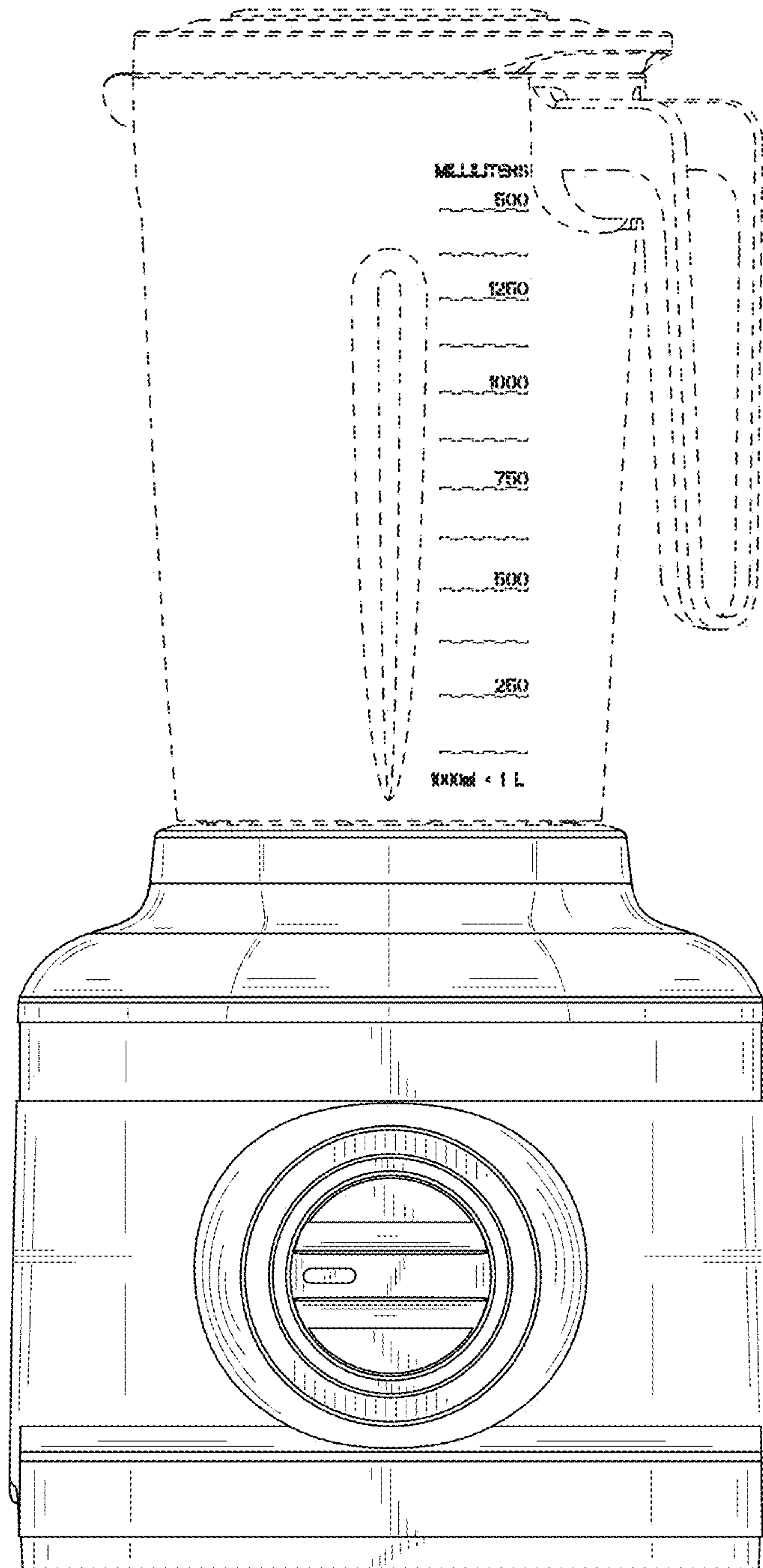
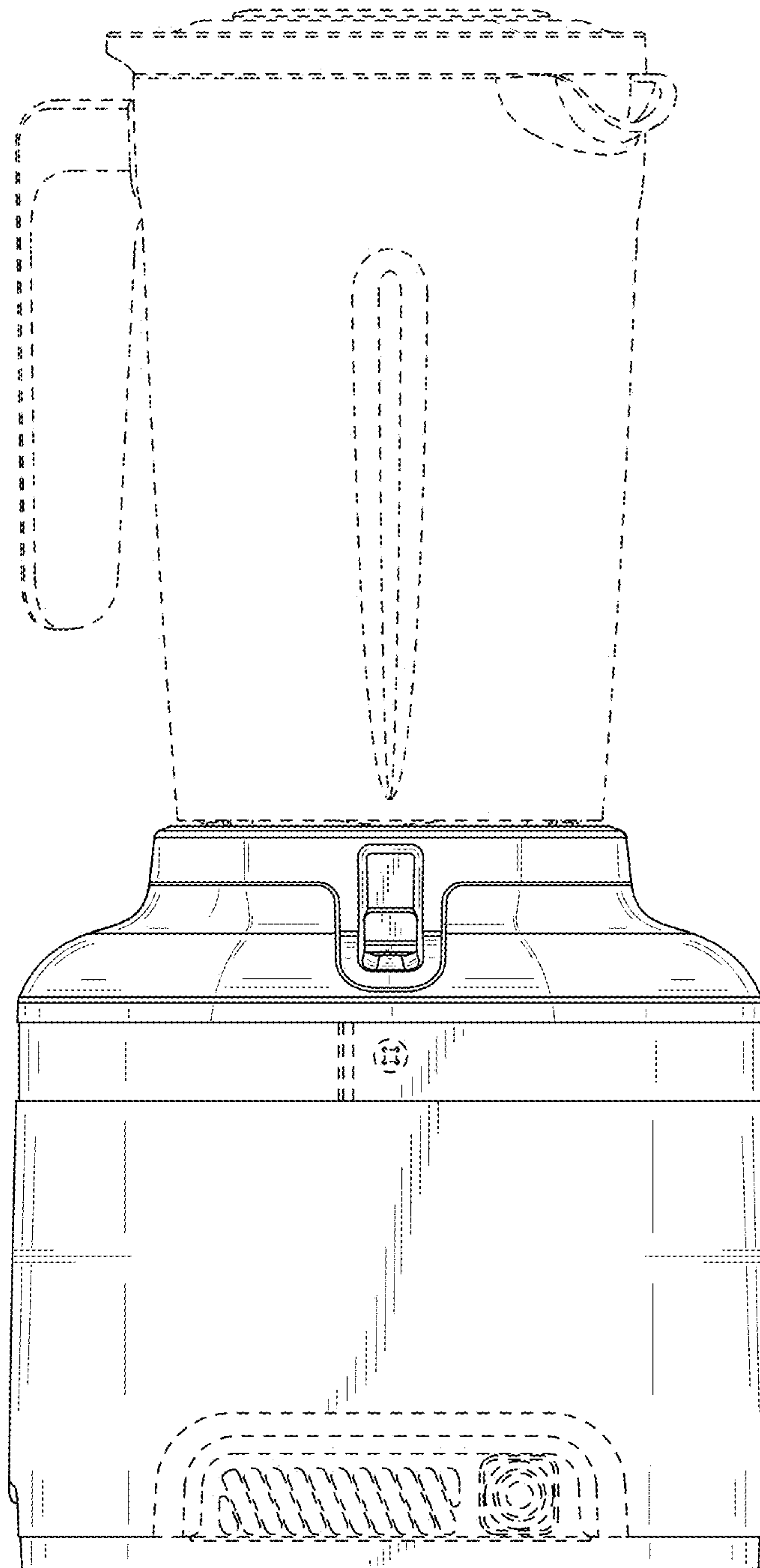
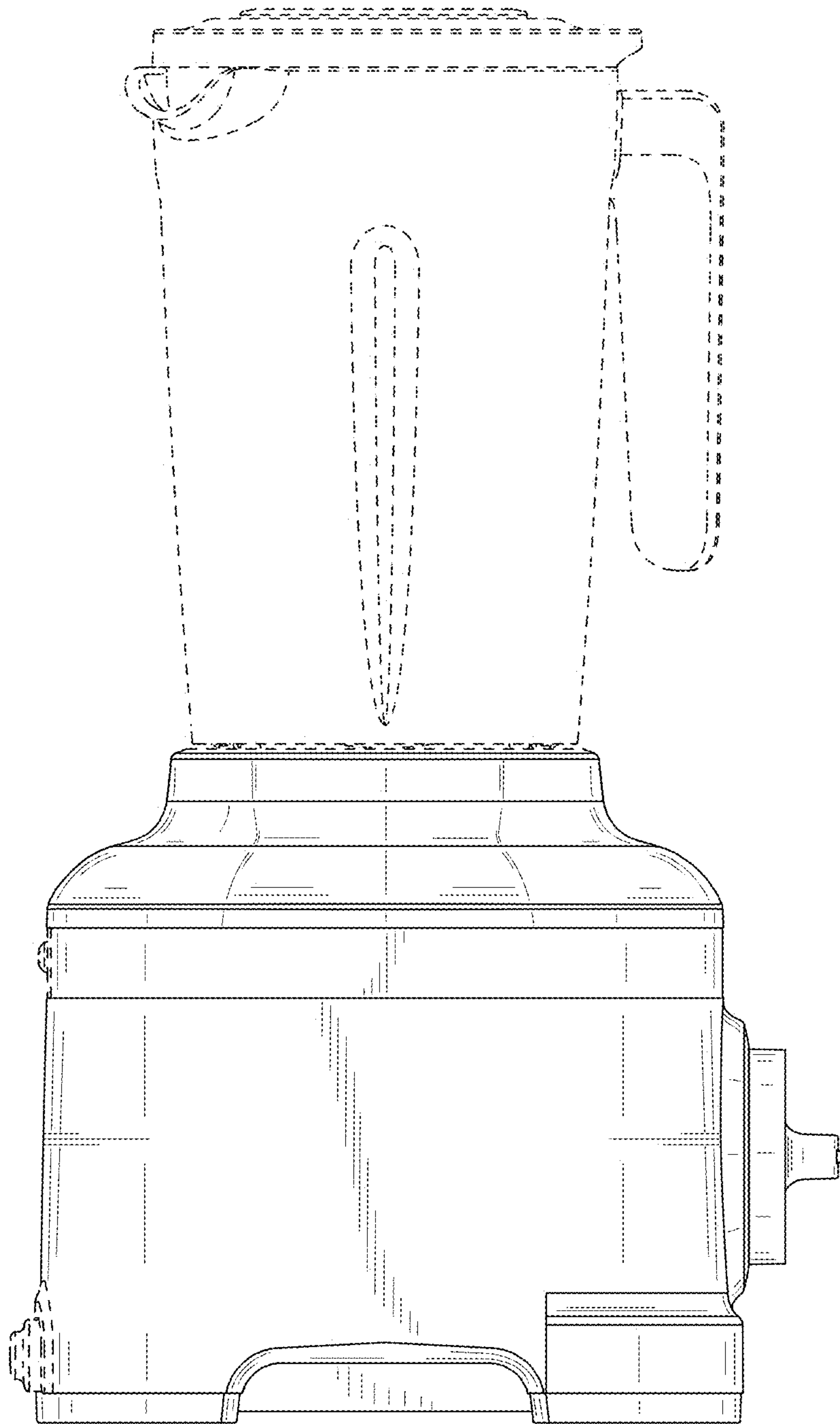


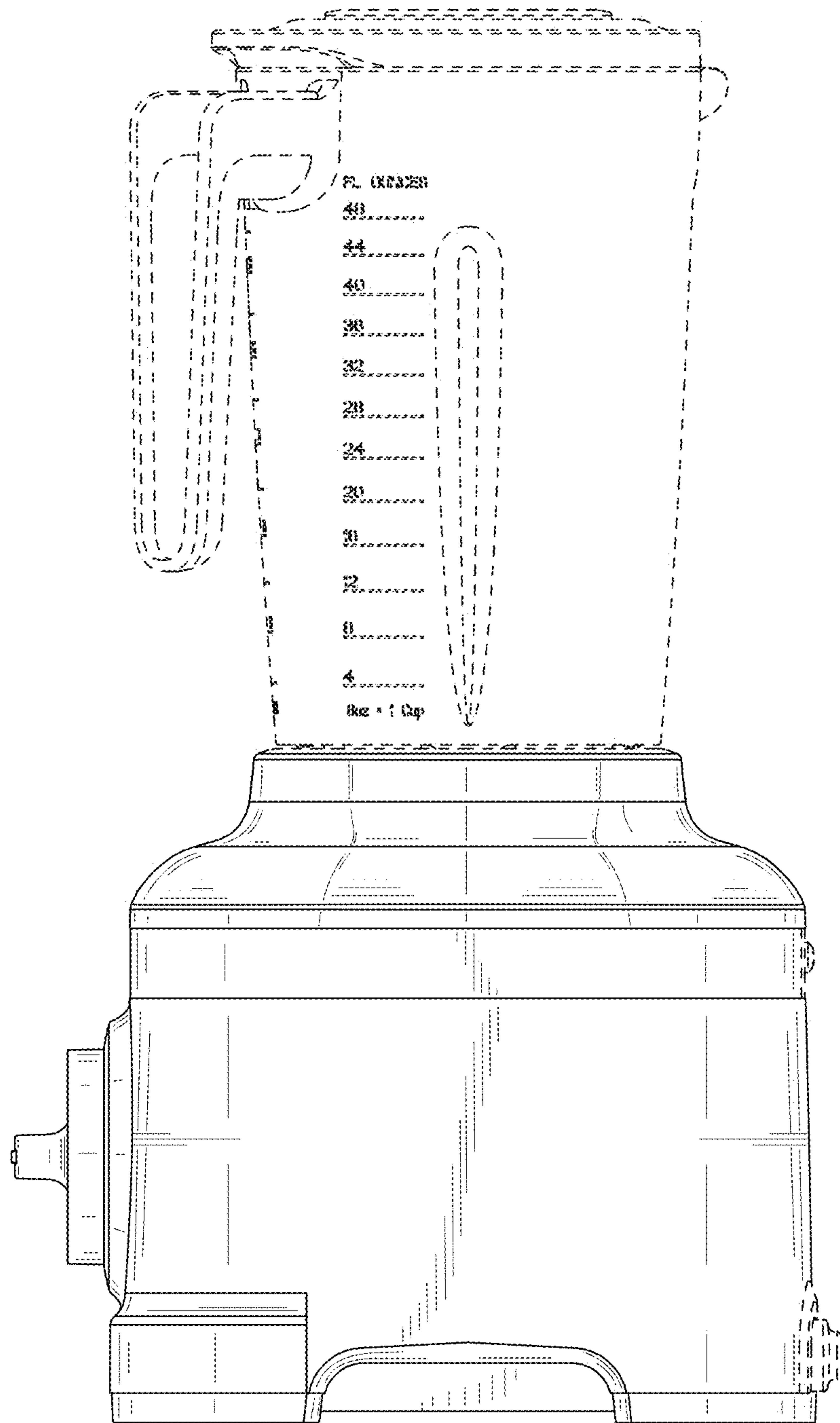
FIG. 3



**FIG. 4**

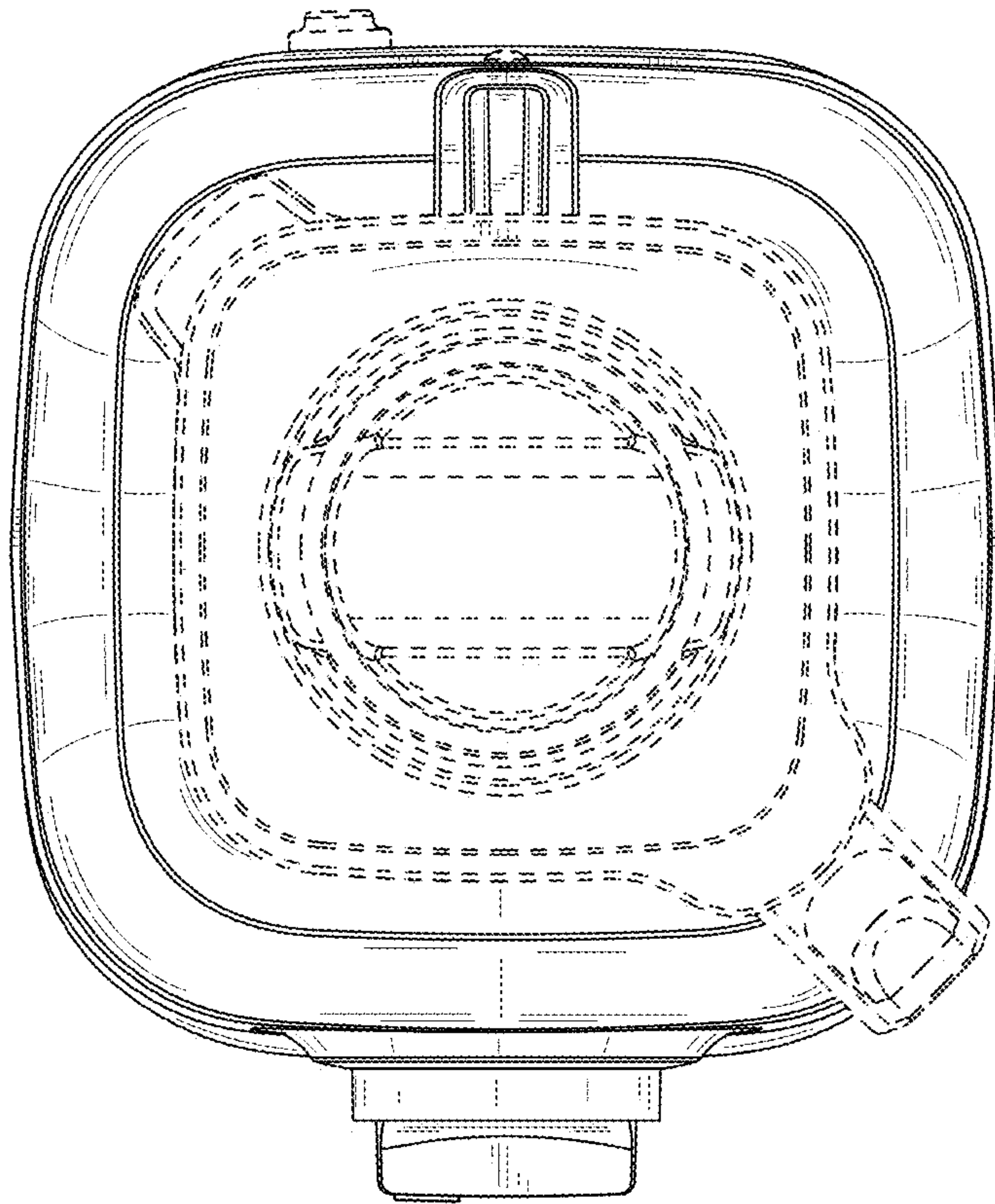


**FIG. 5**

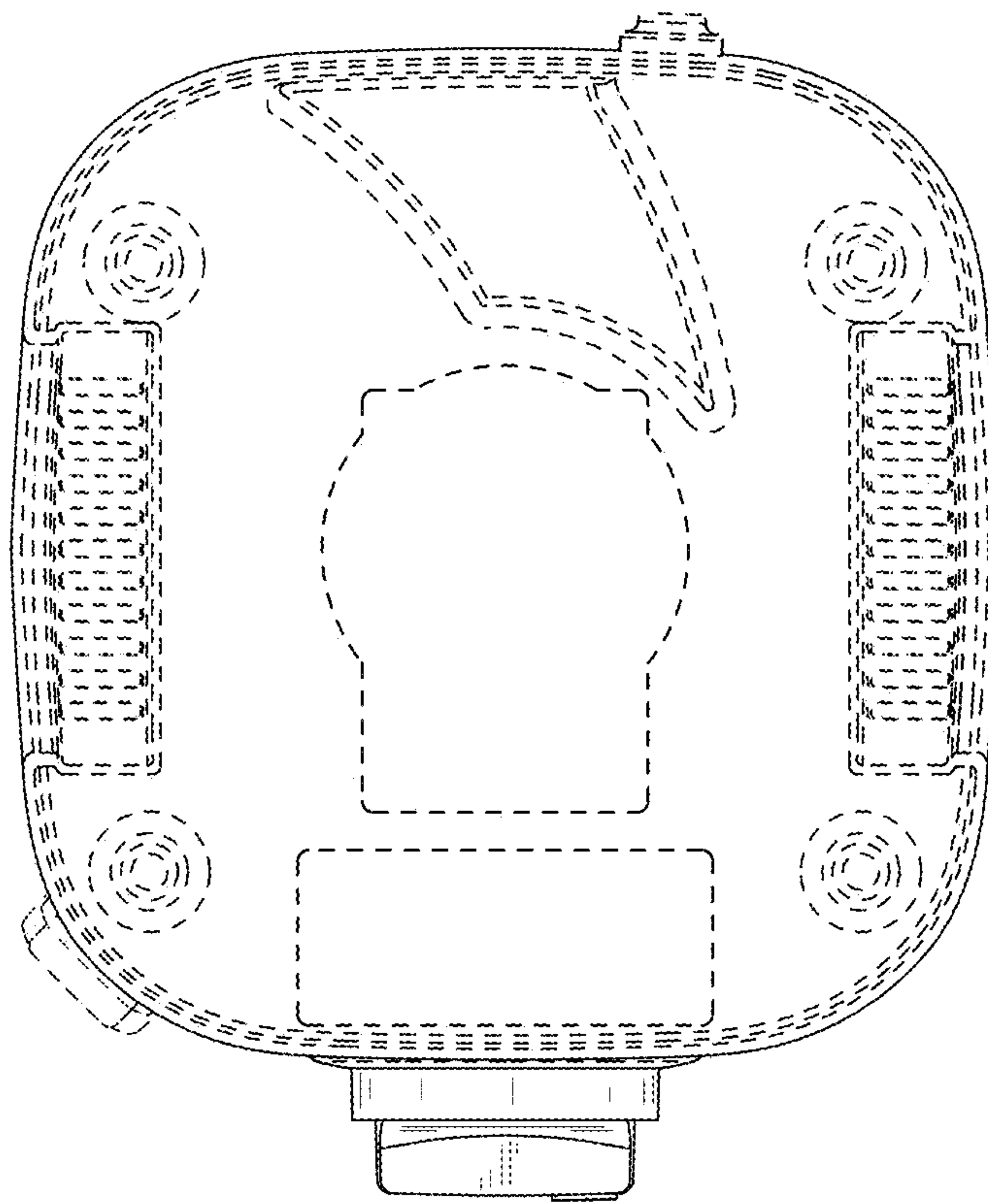


**FIG. 6**





**FIG. 7**



**FIG. 8**