



US00D874868S

(12) **United States Design Patent**
Trakšelis

(10) **Patent No.:** **US D874,868 S**

(45) **Date of Patent:** **** Feb. 11, 2020**

(54) **BLENDER**

(71) Applicant: **UAB „Millo Appliances”, Vilnius (LT)**

(72) Inventor: **Ruslanas Trakšelis, Vilnius (LT)**

(73) Assignee: **UAB „MILLO APPLIANCES”, Vilnius (LT)**

(**) Term: **15 Years**

(21) Appl. No.: **29/608,525**

(22) Filed: **Jun. 22, 2017**

(30) **Foreign Application Priority Data**

Jan. 4, 2017 (EM) 003568153-0001

(51) **LOC (12) Cl.** **31-00**

(52) **U.S. Cl.**
USPC **D7/378**

(58) **Field of Classification Search**
USPC D7/307, 308, 309, 368, 372, 373, 376,
D7/377, 378, 381, 382, 383, 384, 385,
D7/386, 412, 413, 414, 415, 665, 666,
D7/669, 679, 688, 693, 694

CPC A47J 43/00; A47J 43/04; A47J 43/042;
A47J 43/044; A47J 43/046; A47J 43/06;
A47J 43/07; A47J 43/4454; A47J
43/04472

See application file for complete search history.

(56) **References Cited**

U.S. PATENT DOCUMENTS

- 4,127,342 A * 11/1978 Coggiola A47J 43/046
403/243
- D273,553 S * 4/1984 Bovet D7/372
- 5,360,170 A * 11/1994 Cartellone A47J 43/0705
241/169.1
- D354,898 S * 1/1995 Nagy D19/37
- 5,432,306 A * 7/1995 Pfordresher A47J 43/07
181/198

- D375,024 S * 10/1996 Pursley D7/412
- D378,653 S * 4/1997 Richardi D7/679
- D403,203 S * 12/1998 Ruck D7/391
- D541,125 S * 4/2007 Gaudron D8/71
- D567,017 S * 4/2008 Garman D7/384
- D576,837 S * 9/2008 Le Vavasseeure D7/378
- D603,215 S * 11/2009 Hollinger D7/378
- D668,114 S * 10/2012 Cozzolino D7/376
- D680,824 S * 4/2013 Patel D7/672
- D684,020 S * 6/2013 Patel D7/672
- D710,141 S * 8/2014 Vulliermet D7/326
- D727,096 S * 4/2015 Vu D7/376

(Continued)

OTHER PUBLICATIONS

Millo Blender , posted Jun. 20, 2017 [online], retrieved Jan. 30, 2019, retrieved from internet, <<https://www.cnet.com/reviews/millo-preview/>>.*

(Continued)

Primary Examiner — Barbara Fox

Assistant Examiner — Messina L Smith

(74) *Attorney, Agent, or Firm* — Moser Taboada

(57) **CLAIM**

The ornamental design for a blender, as shown and described.

DESCRIPTION

FIG. 1 is a top perspective view of a blender embodying the new design;

FIG. 2 is a bottom perspective view of the blender of FIG. 1;

FIG. 3 is a front view of the blender shown in FIG. 1;

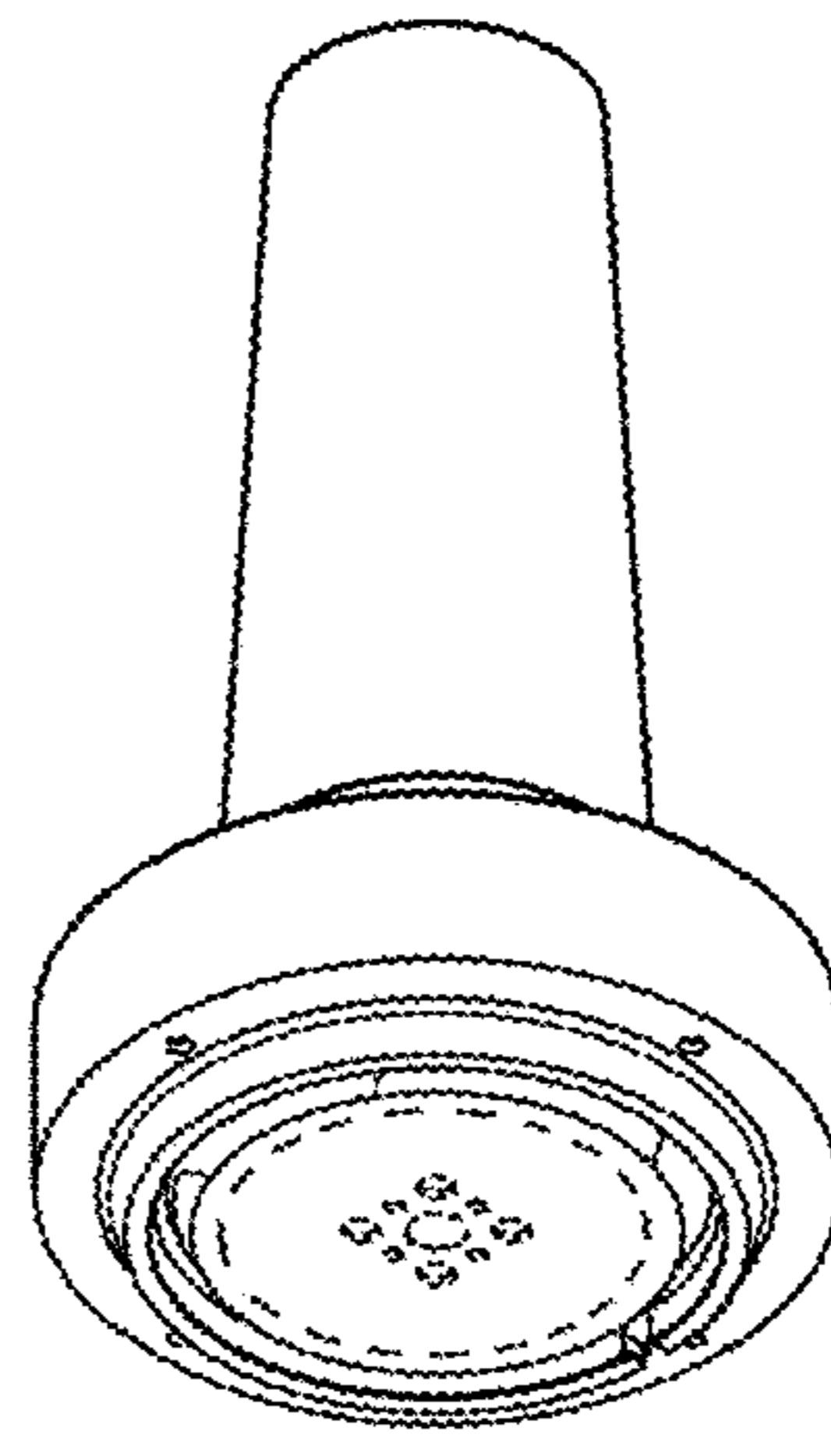
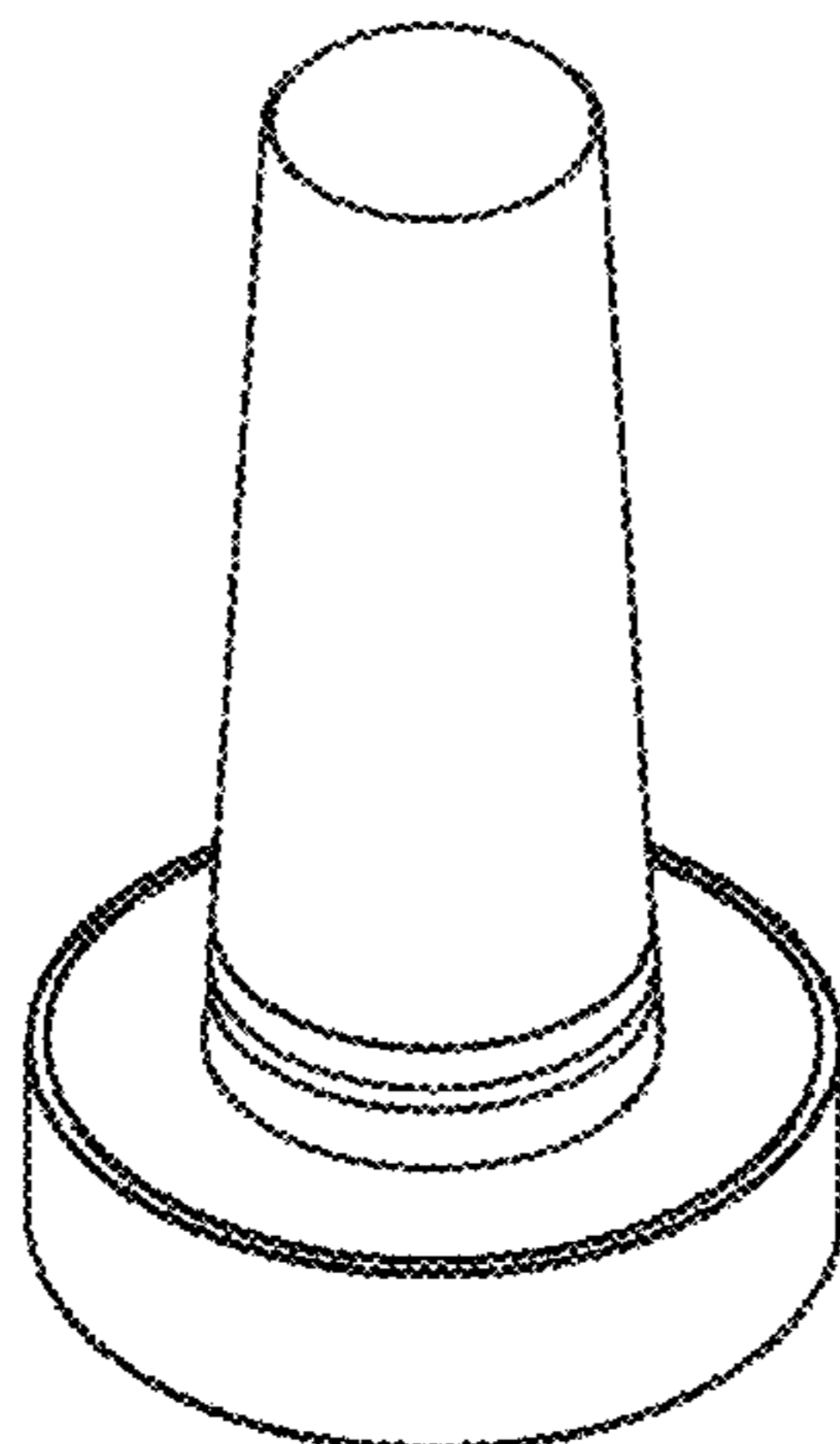
FIG. 4 is a back view of the blender shown in FIG. 1;

FIG. 5 is a top view of the blender shown in FIG. 1; and,

FIG. 6 is a bottom view of the blender shown in FIG. 1.

The broken lines in the drawings depict portions of the blender that form no part of the claimed design.

1 Claim, 6 Drawing Sheets



(56)

References Cited

U.S. PATENT DOCUMENTS

D769,060 S * 10/2016 Klein D7/368
 9,687,111 B1 * 6/2017 Trojan A47J 43/0716
 D811,807 S * 3/2018 Gollnick D7/386
 D813,603 S * 3/2018 Tu D7/413
 D836,394 S * 12/2018 Blofeld D7/413
 2006/0260478 A1 * 11/2006 Hsu A47J 19/027
 99/495
 2007/0209528 A1 * 9/2007 Chang A47J 19/027
 99/511
 2008/0037360 A1 * 2/2008 McGill A47J 43/06
 366/130
 2011/0024537 A1 * 2/2011 Gonzalez A47J 43/046
 241/101.2
 2011/0186669 A1 * 8/2011 Bower A47J 27/04
 241/101.2
 2011/0293807 A1 * 12/2011 Dushine A23L 2/39
 426/519
 2014/0178545 A1 * 6/2014 Fach A47J 43/046
 426/410

2015/0165402 A1 * 6/2015 King B01F 15/00409
 366/145
 2015/0250360 A1 * 9/2015 Hyp A47J 43/046
 366/205
 2016/0345779 A1 * 12/2016 Tu A47J 43/046
 2017/0035250 A1 * 2/2017 Pan A47J 43/0761
 2017/0208998 A1 * 7/2017 Dickson, Jr. A47J 43/0716
 2017/0209000 A1 * 7/2017 Dickson, Jr. A47J 43/0727
 2017/0224168 A1 * 8/2017 Lin A47J 43/046
 2018/0056254 A1 * 3/2018 Liu A47J 43/046

OTHER PUBLICATIONS

MilloTechnology's Smoothie Maker, posted May 9, 2017 [online] 00:20, retrieved Jan. 30, 2019, retrieved from internet, <https://www.youtube.com/watch?v=plUkq_3n_ql&feature=youtu.be>.*
 Millo Smoothie Maker, posted May 11, 2017 [online], retrieved Jan. 30, 2019, retrieved from internet, <<http://www.engineering.com/DesignerEdge/water/ArticleID/14901/Millo--The-Worlds-Smartest-Smoothie-Maker.aspx>>.*

* cited by examiner

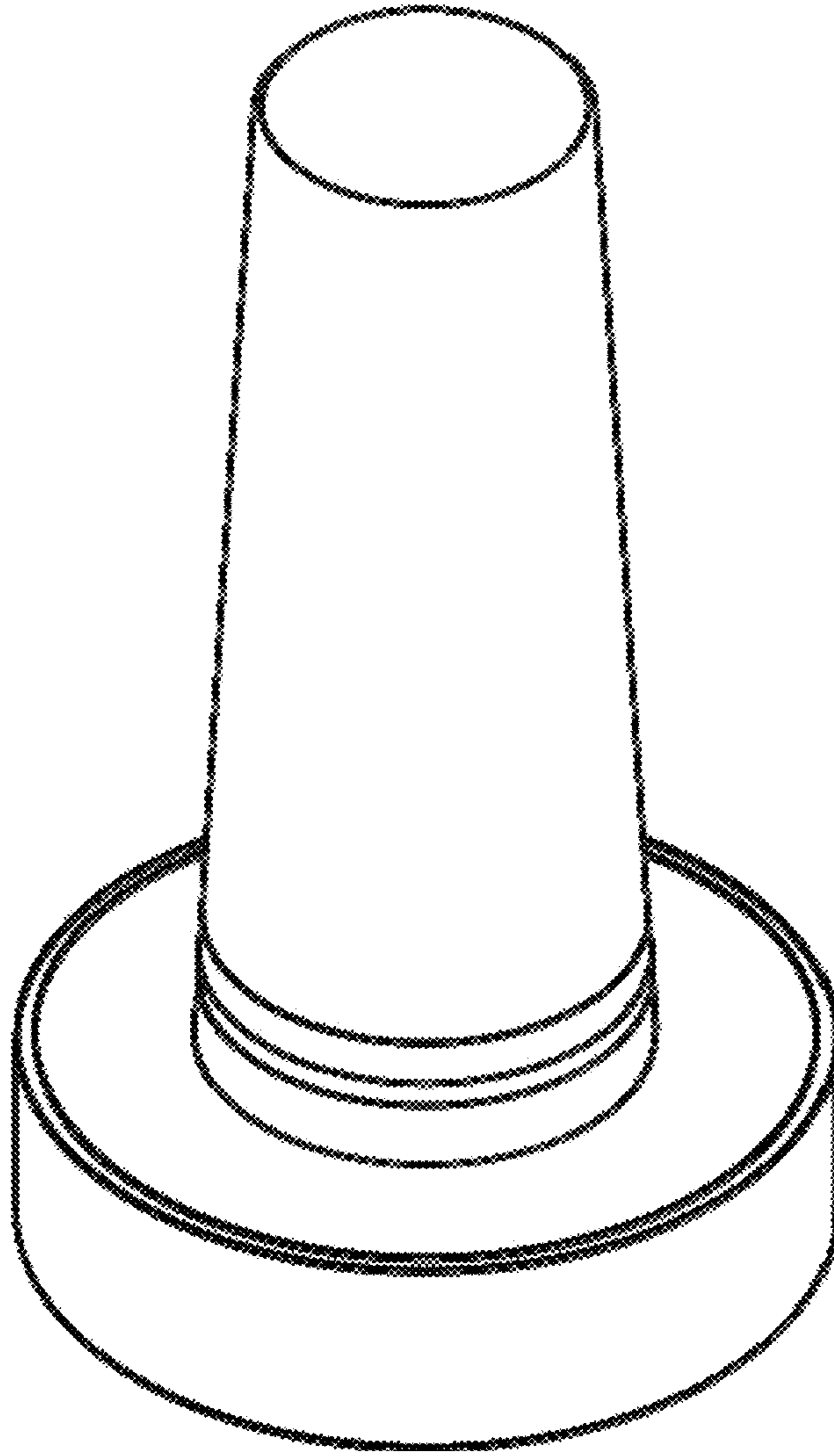


Fig. 1

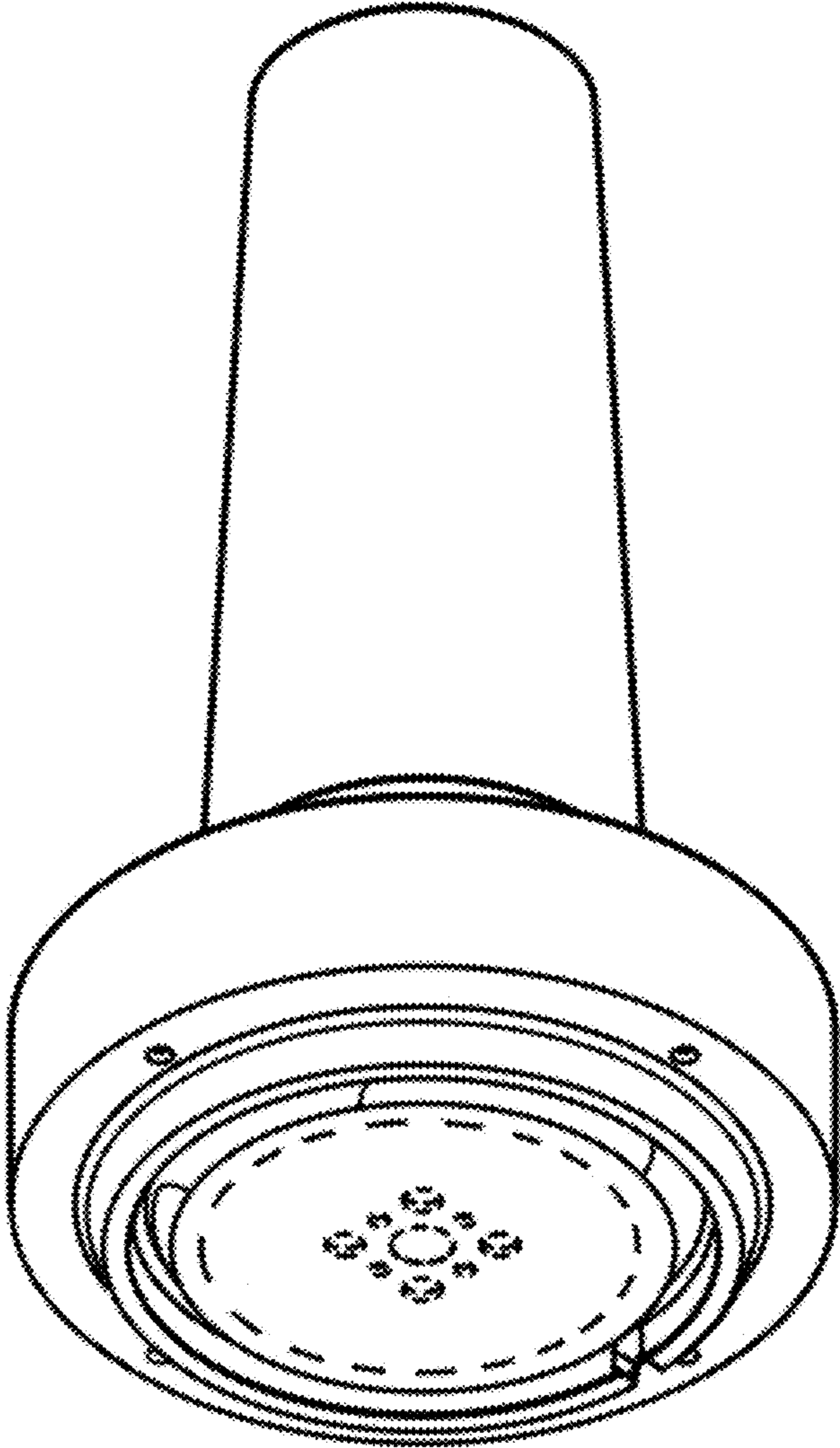


Fig. 2

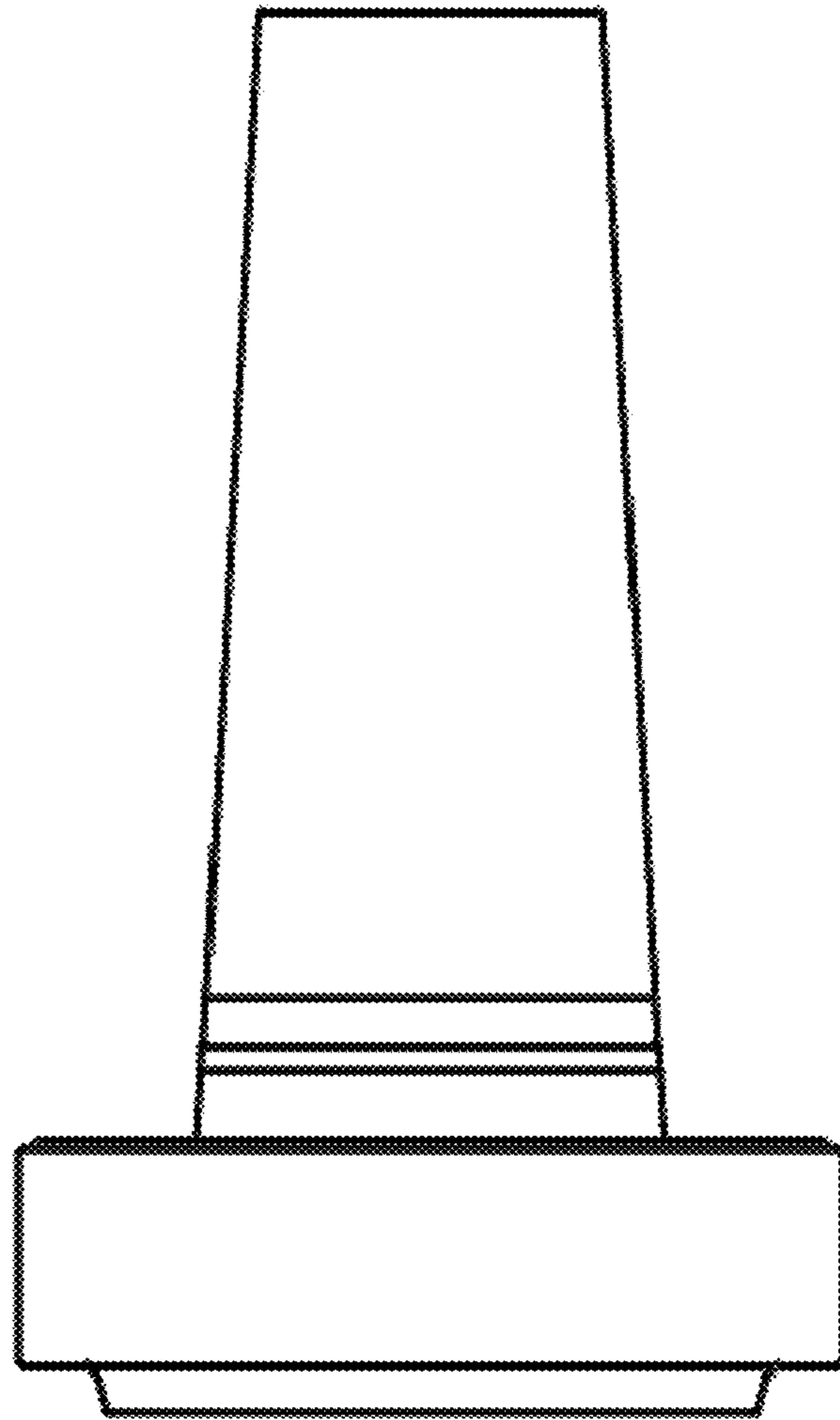


Fig. 3

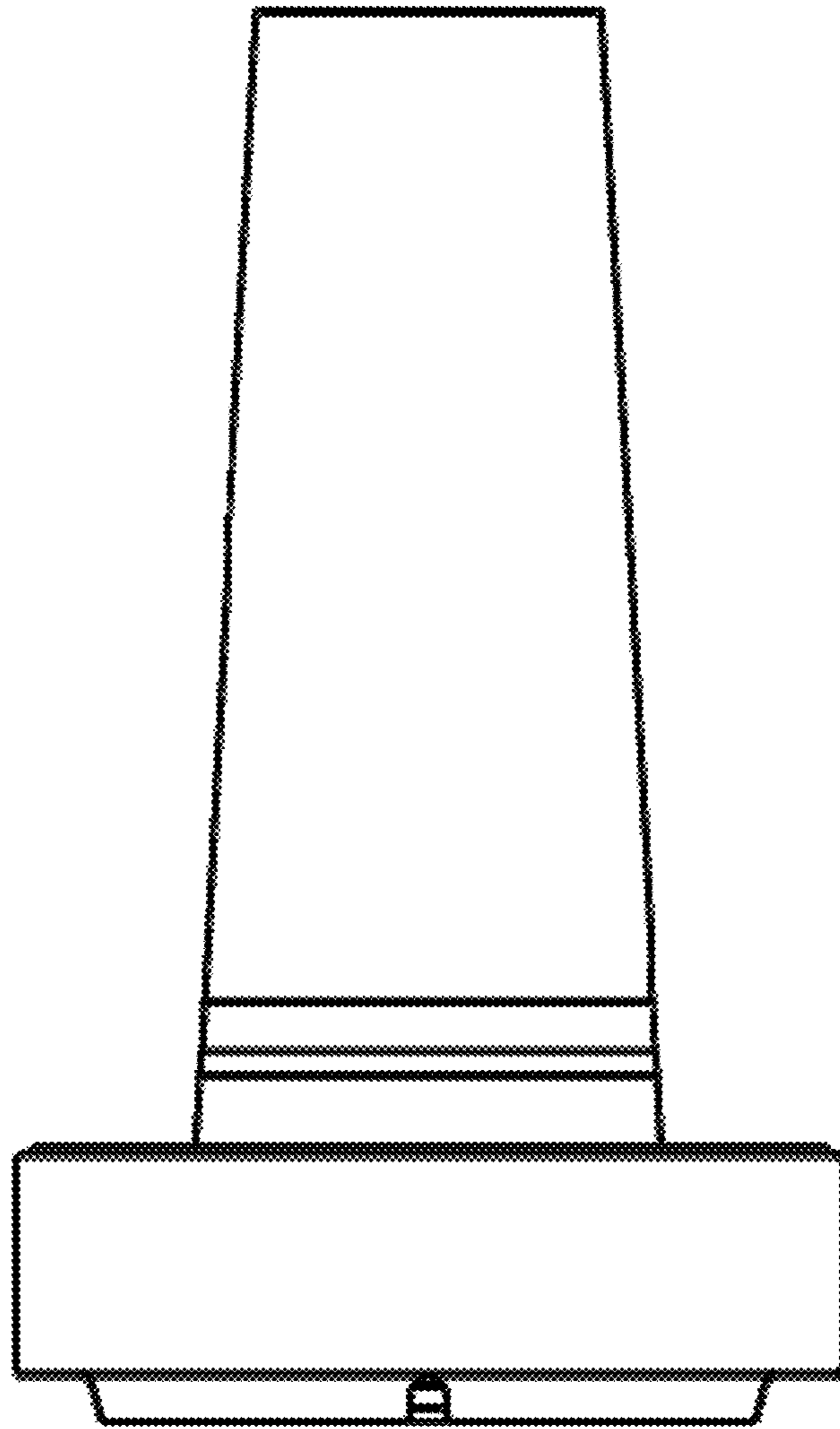


Fig. 4

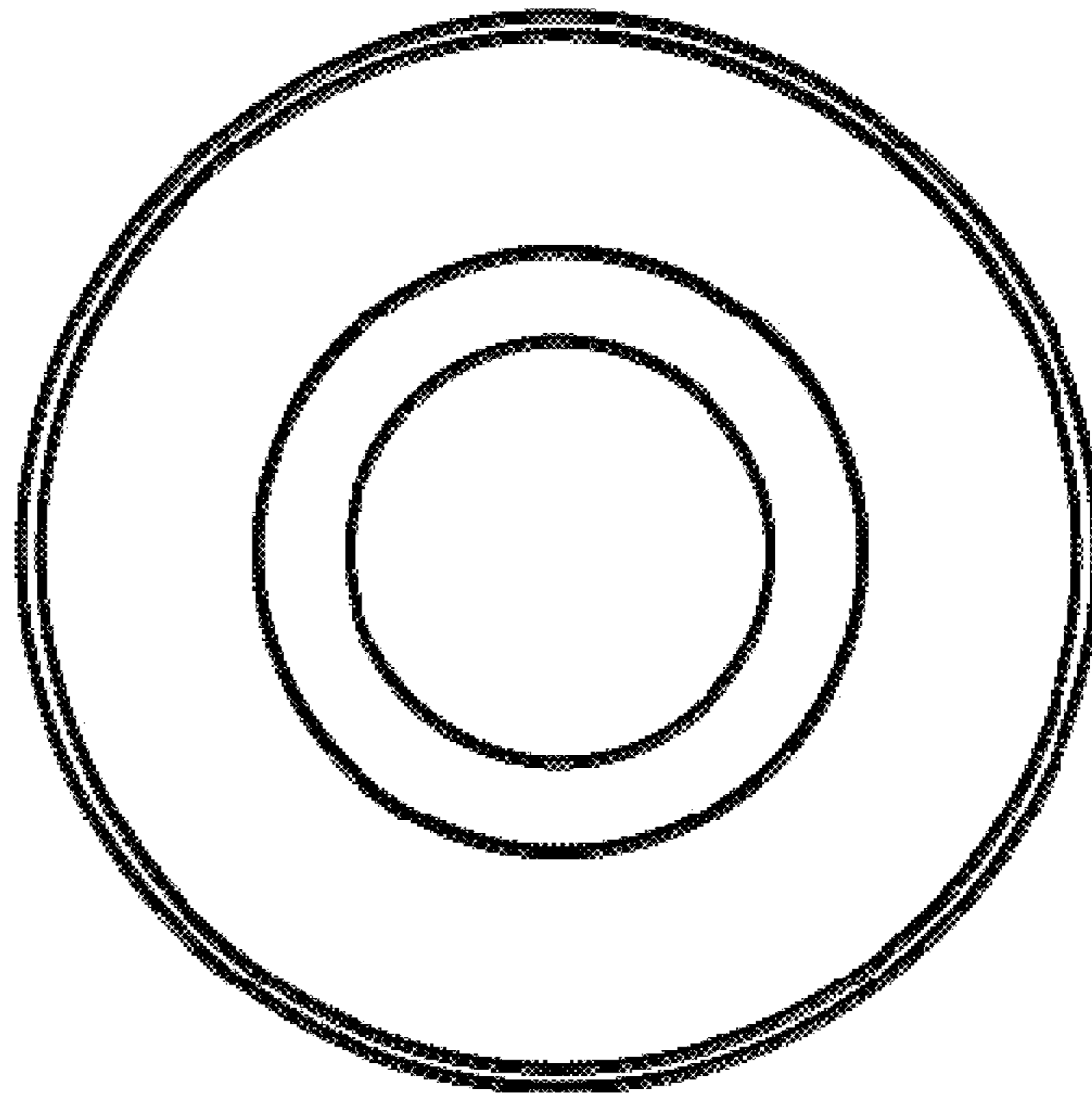


Fig. 5

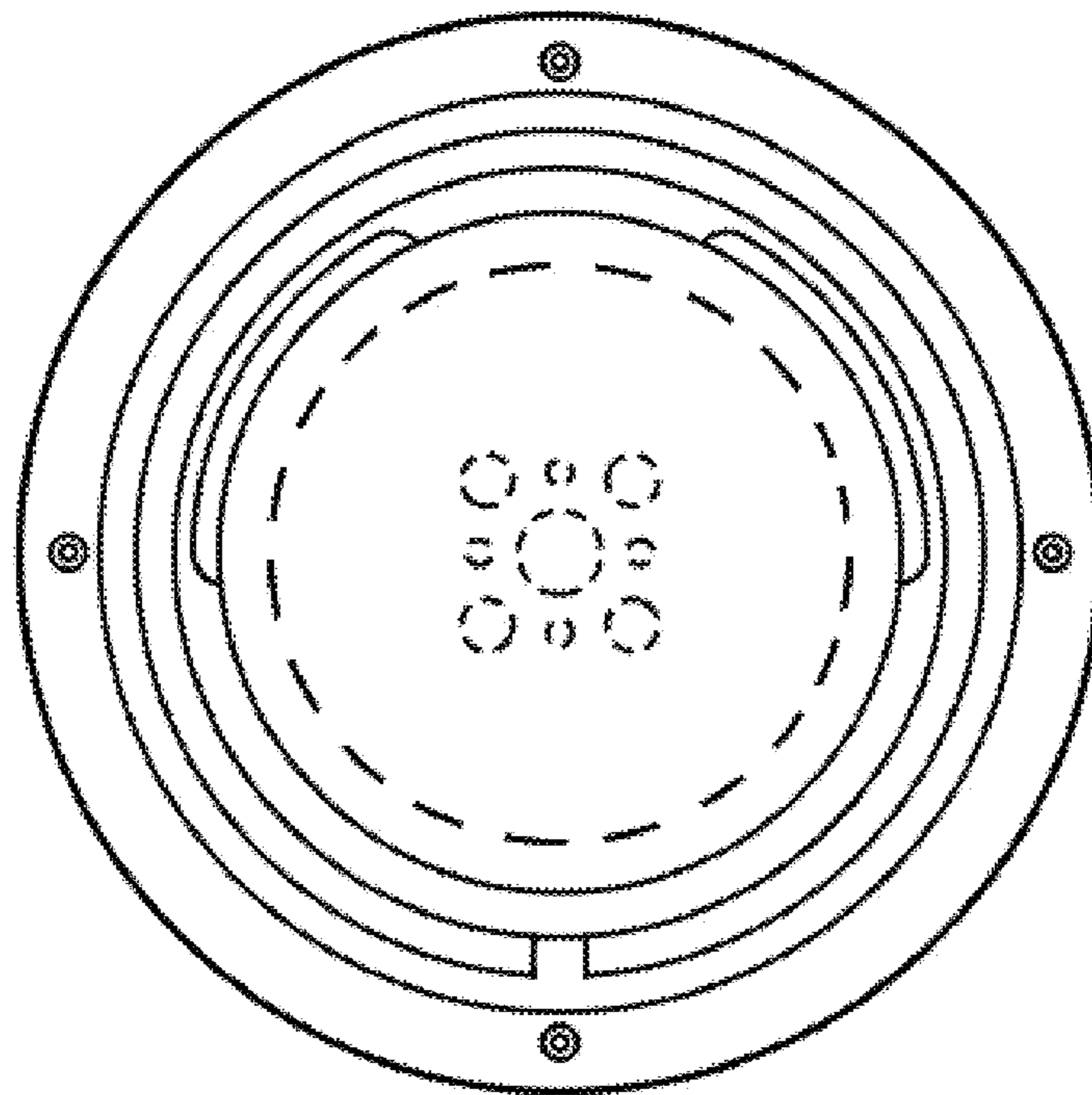


Fig. 6