

US00D874867S

(12) **United States Design Patent**
Varjabedian et al.

(10) **Patent No.:** **US D874,867 S**

(45) **Date of Patent:** **** Feb. 11, 2020**

(54) **USER INTERFACE OF A FOOD PREPARATION DEVICE**

(71) Applicant: **SHARKNINJA OPERATING LLC**,
Needham, MA (US)

(72) Inventors: **Nicholas Varjabedian**, Middleboro,
MA (US); **Benjamin Lenart**, Malden,
MA (US)

(73) Assignee: **SHARKNINJA OPERATING LLC**,
Needham, MA (US)

(**) Term: **15 Years**

(21) Appl. No.: **29/679,906**

(22) Filed: **Feb. 11, 2019**

Related U.S. Application Data

(63) Continuation of application No. 29/659,574, filed on
Aug. 9, 2018.

(51) **LOC (12) Cl.** **07-02**

(52) **U.S. Cl.**
USPC **D7/354**

(58) **Field of Classification Search**
USPC D7/323, 354–361, 405

CPC A23L 1/01; A23L 1/0107; A23L 1/0114;
A47J 27/00; A47J 27/08; A47J 27/09;
A47J 27/092; A47J 36/025; A47J 36/06;
A47J 36/08; A47J 36/10; A47J 36/12;
A47J 36/165; A47J 36/18; A47J 36/20;
A47J 36/22; A47J 37/00; A47J 37/04;
A47J 37/12; A47J 37/1204; A47J
37/1209; A47J 37/1214; A47J 37/1219;
A47J 37/1266; A47J 37/1285; A47J
37/129; A47J 37/1295;

(Continued)

(56) **References Cited**

U.S. PATENT DOCUMENTS

D532,248 S * 11/2006 Allende Fritsch D7/354
D672,600 S * 12/2012 Berge D7/354

(Continued)

Primary Examiner — Ricky Pham

(74) *Attorney, Agent, or Firm* — Cantor Colburn LLP

(57) **CLAIM**

The ornamental design for a user interface of a food prepara-
tion device, as shown and described.

DESCRIPTION

FIG. 1 is a perspective view of a user interface of a food
preparation device, showing our new design in a first
embodiment;

FIG. 2 is a front view of the embodiment shown in FIG. 1;

FIG. 3 is a rear view of the embodiment shown in FIG. 1;

FIG. 4 is side view of the embodiment shown in FIG. 1;

FIG. 5 is another side view of the embodiment shown in
FIG. 1;

FIG. 6 is a top view of the embodiment shown in FIG. 1;

FIG. 7 is a bottom view of the embodiment shown in FIG.
1;

FIG. 8 is a perspective view of a user interface of a food
preparation device, showing our new design in a second
embodiment;

FIG. 9 is a front view of the embodiment shown in FIG. 8;

FIG. 10 is a rear view of the embodiment shown in FIG. 8;

FIG. 11 is side view of the embodiment shown in FIG. 8;

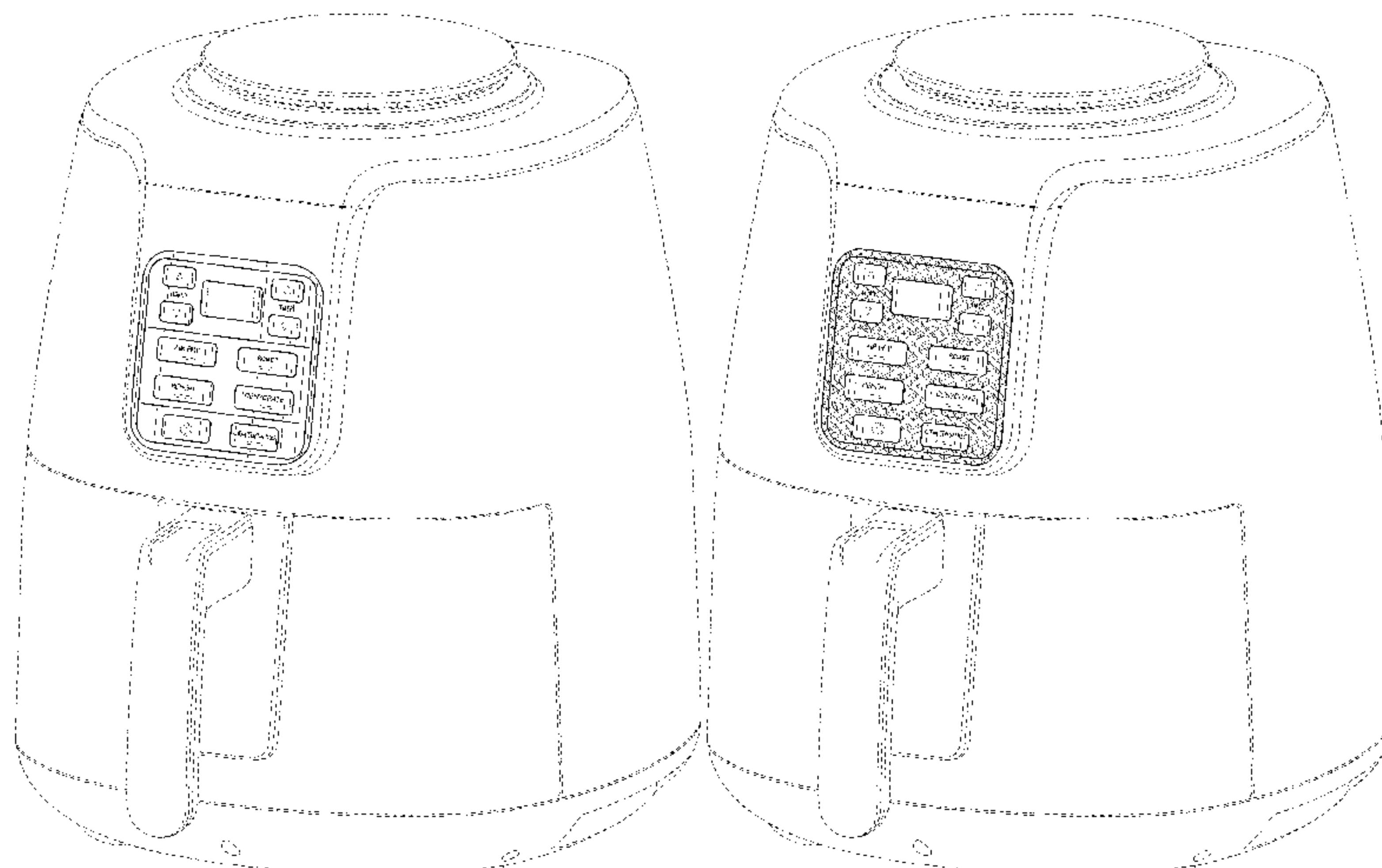
FIG. 12 is another side view of the embodiment shown in
FIG. 8;

FIG. 13 is a top view of the embodiment shown in FIG. 8;

and,

FIG. 14 is a bottom view of the embodiment shown in FIG.
8.

(Continued)



The broken lines in the figures are for environmental purposes only and form no part of the claimed design.

1 Claim, 14 Drawing Sheets

(58) Field of Classification Search

CPC G07F 17/0064; G07F 17/0078; G07F
17/0085; H05B 6/02; H05B 6/06; H05B
6/12

See application file for complete search history.

(56) References Cited

U.S. PATENT DOCUMENTS

D692,718 S	11/2013	Verbrugge et al.
D719,397 S	12/2014	Krooshof
D770,843 S	11/2016	Chung
D770,844 S	11/2016	Chung
D787,260 S	5/2017	Krooshof

D793,797 S	8/2017	Krooshof	
D801,103 S	10/2017	Krooshof	
D802,986 S	11/2017	Krooshof	
D803,615 S	11/2017	Zhang et al.	
D804,236 S	12/2017	Zhang et al.	
D814,232 S *	4/2018	Barquin	D7/354
D816,390 S	5/2018	Zhang et al.	
D817,698 S *	5/2018	Liu	D7/361
D820,031 S *	6/2018	Zhang	D7/354
D836,381 S *	12/2018	Moon	D7/354
D839,040 S *	1/2019	Seymour	D7/354
D841,388 S *	2/2019	Zhang	D7/354
D844,369 S *	4/2019	De' Longhi	D7/354
D848,200 S *	5/2019	Kowalewski	A47J 37/04
			D7/354
D855,396 S *	8/2019	Zhang	A47J 37/00
			D7/405
2014/0366746 A1 *	12/2014	Tsai	A47J 37/00
			99/403
2016/0192808 A1 *	7/2016	Van Der Burg	A47J 37/04
			99/443 C

* cited by examiner



FIG. 1

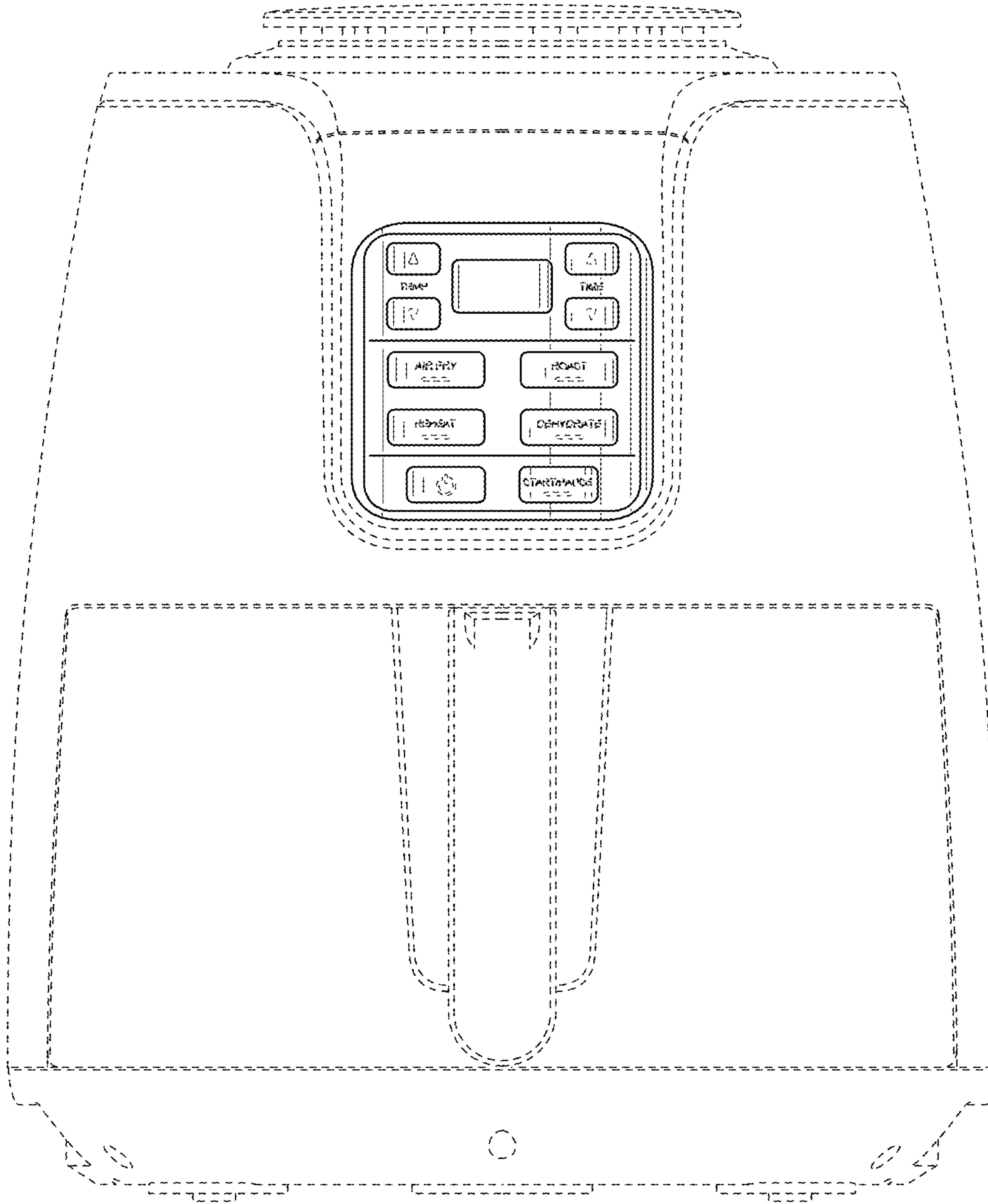


FIG. 2

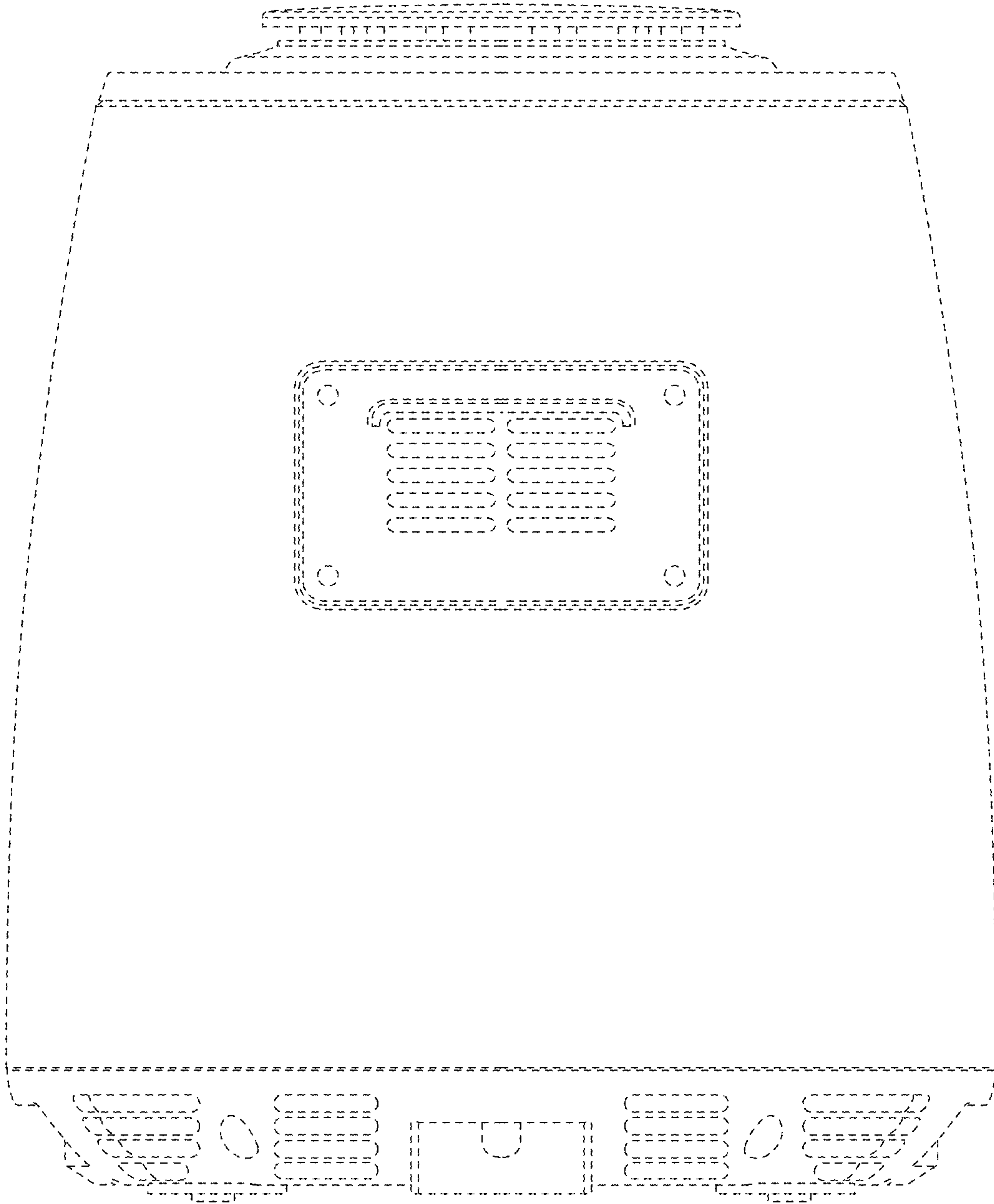


FIG. 3

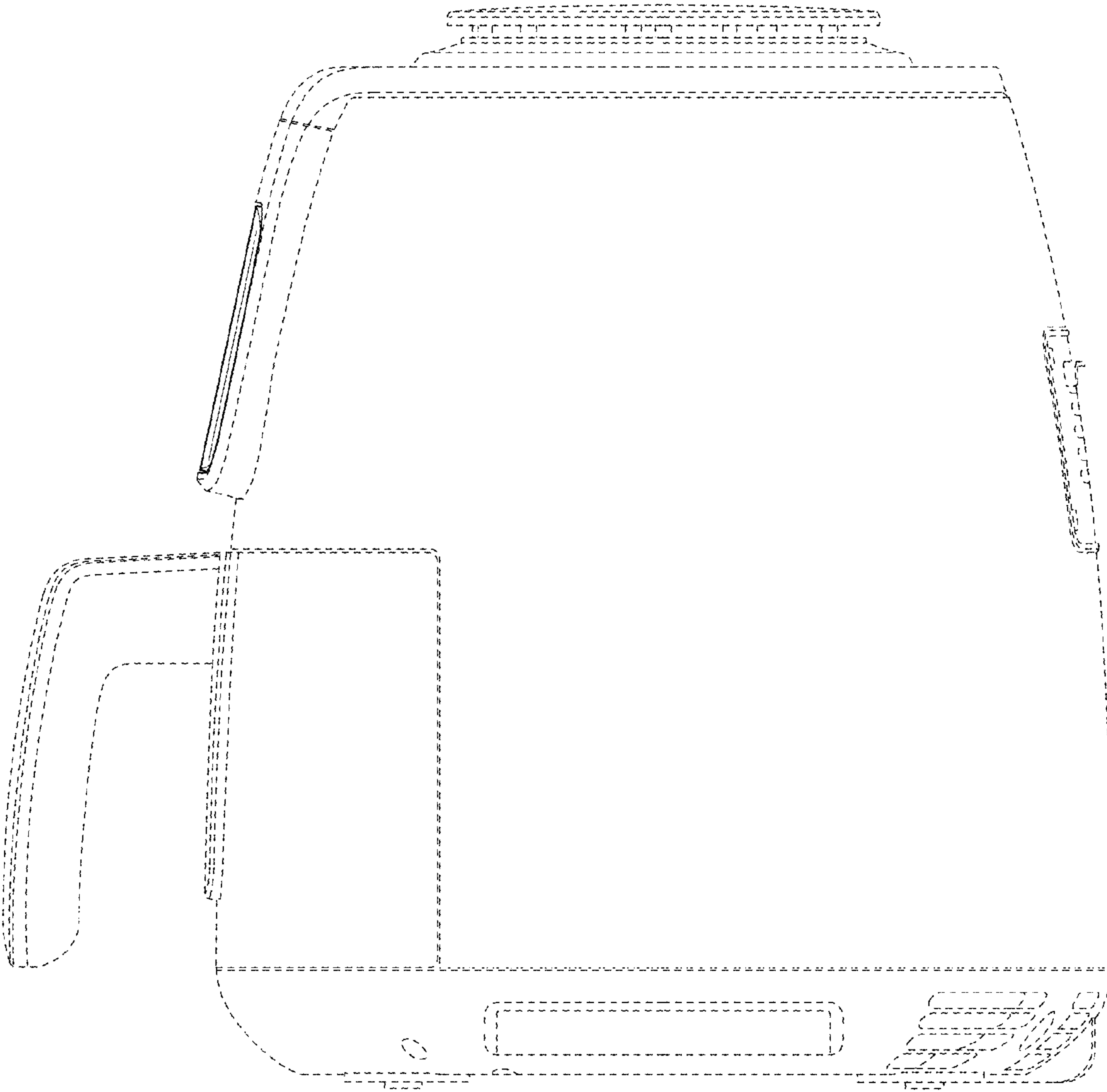


FIG. 4

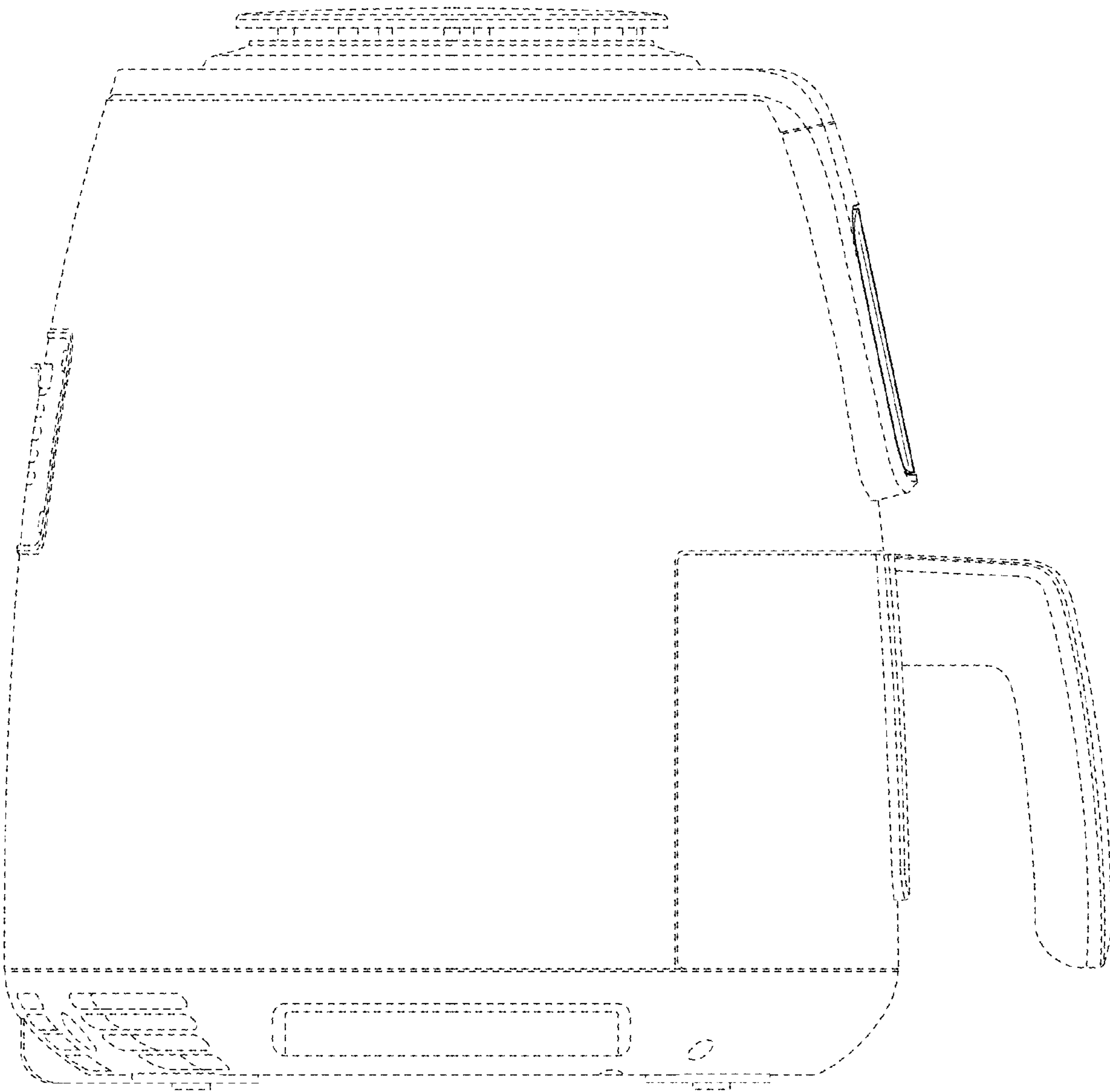


FIG. 5

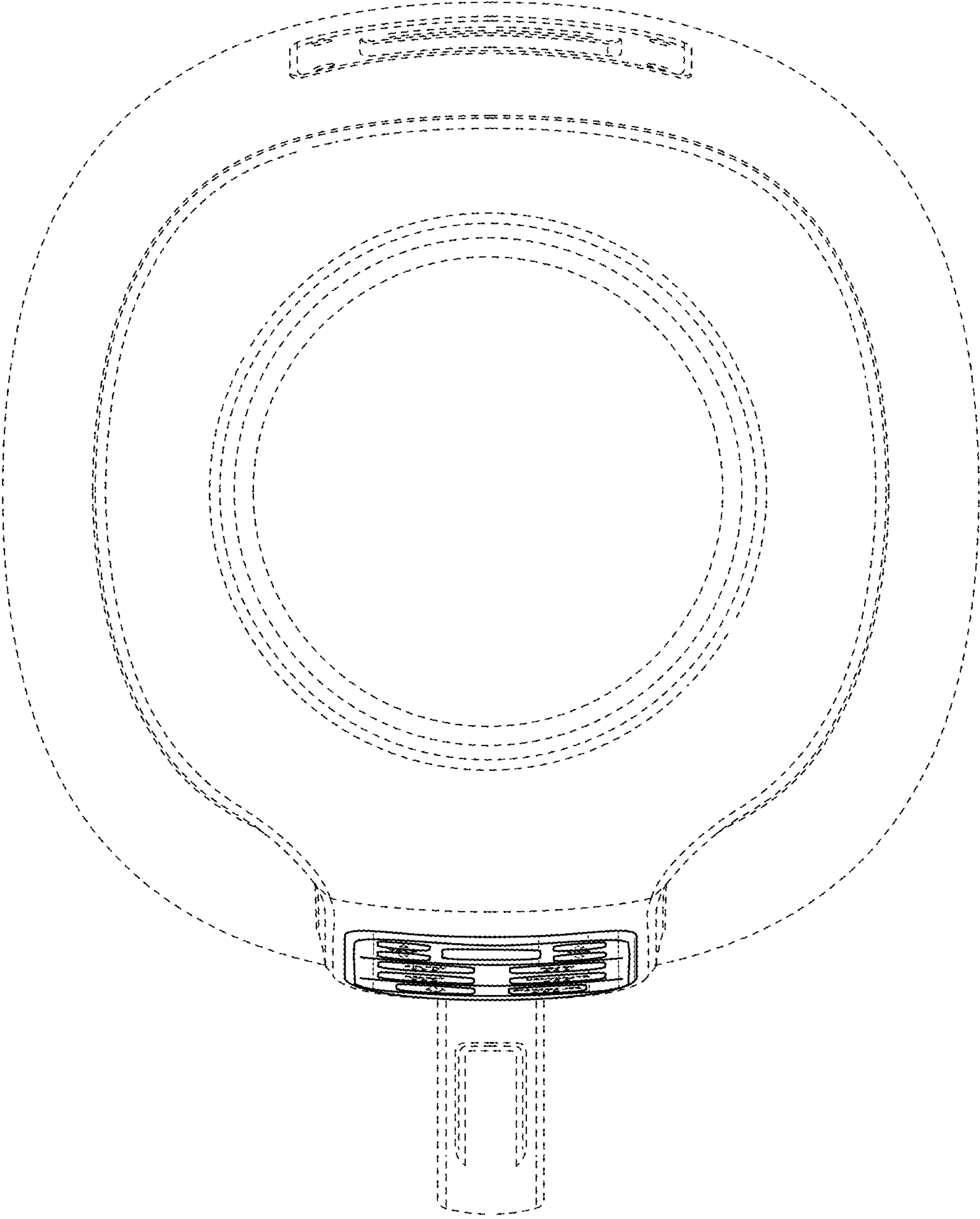


FIG. 6

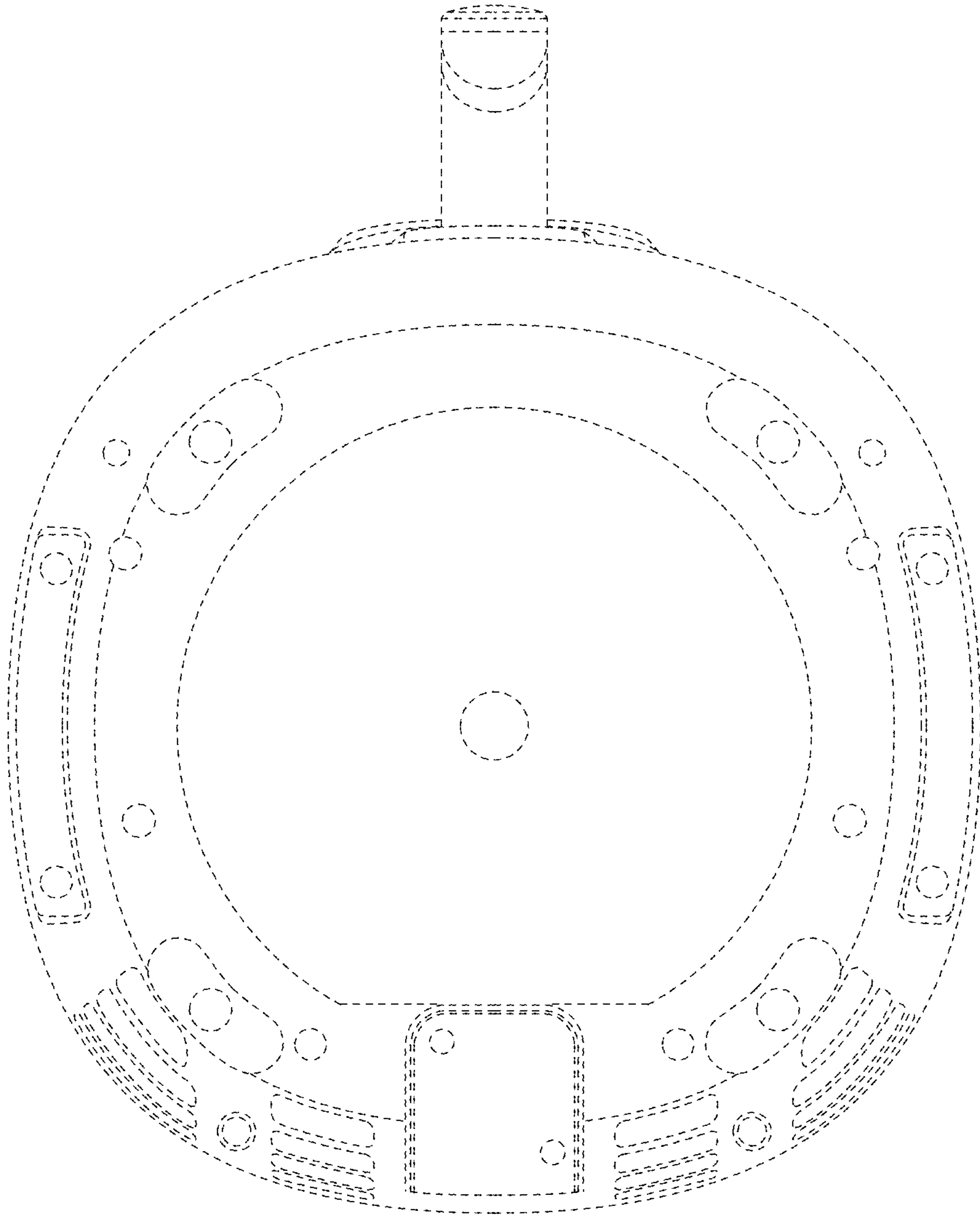


FIG. 7



FIG. 8

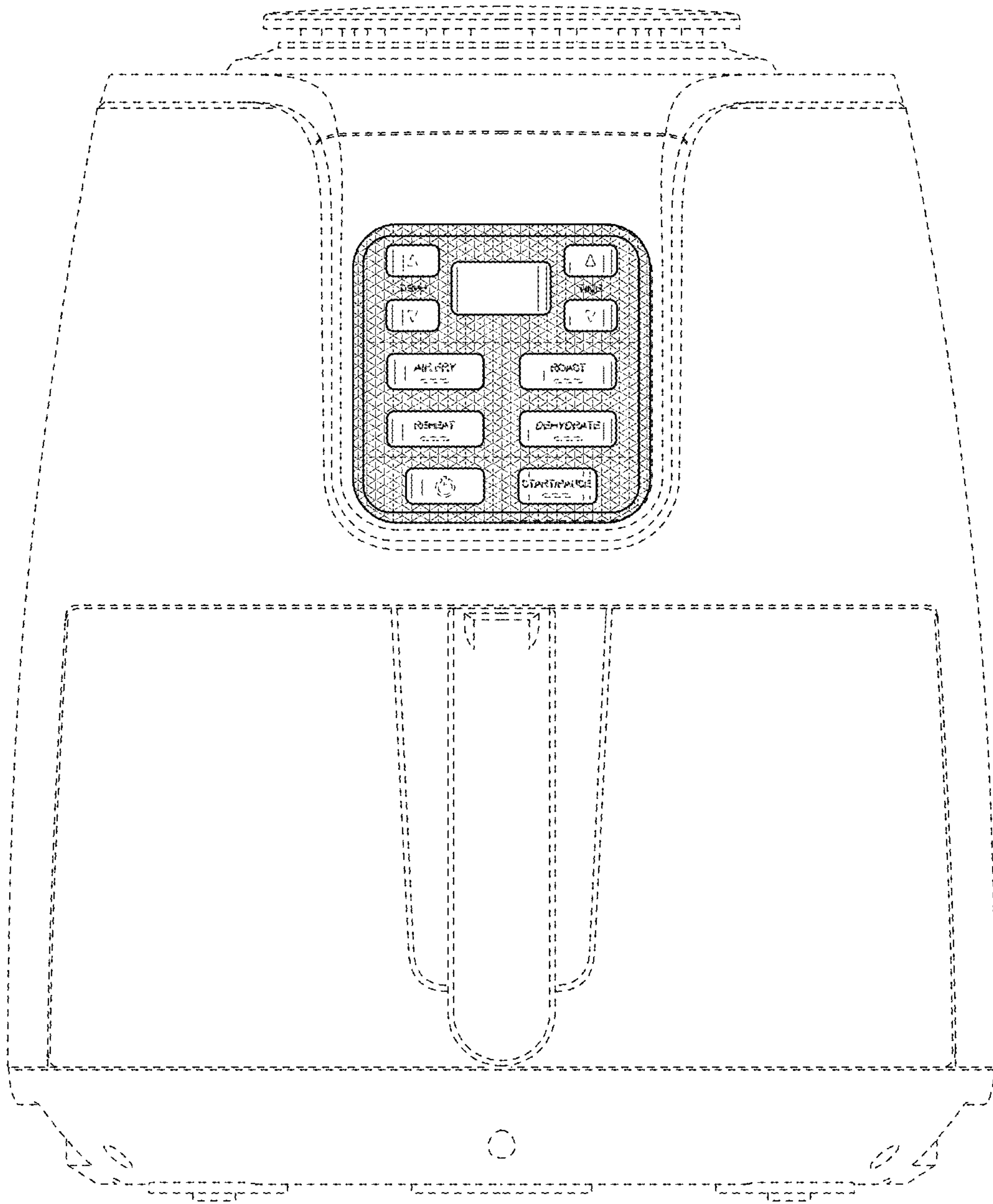


FIG. 9

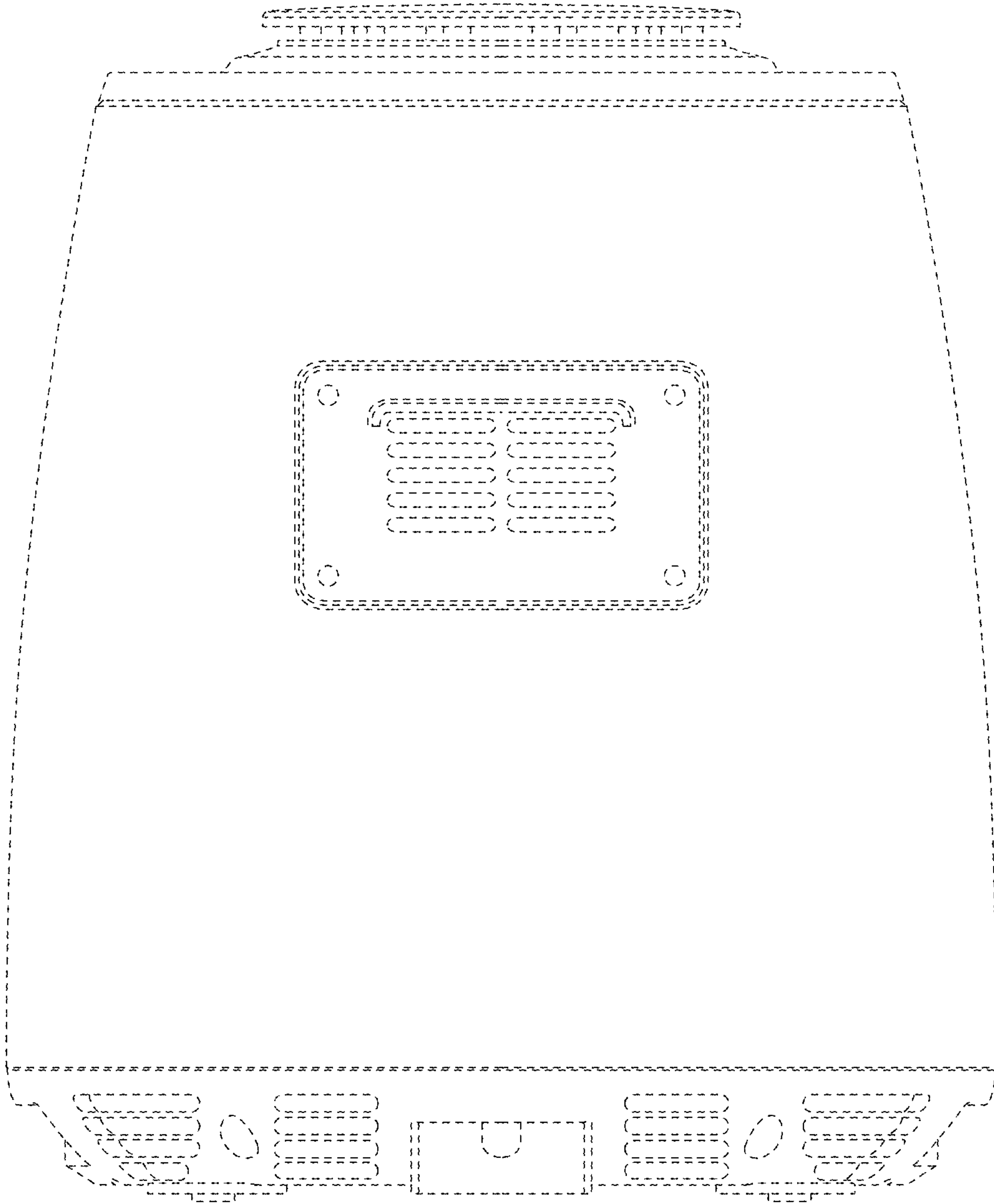


FIG. 10

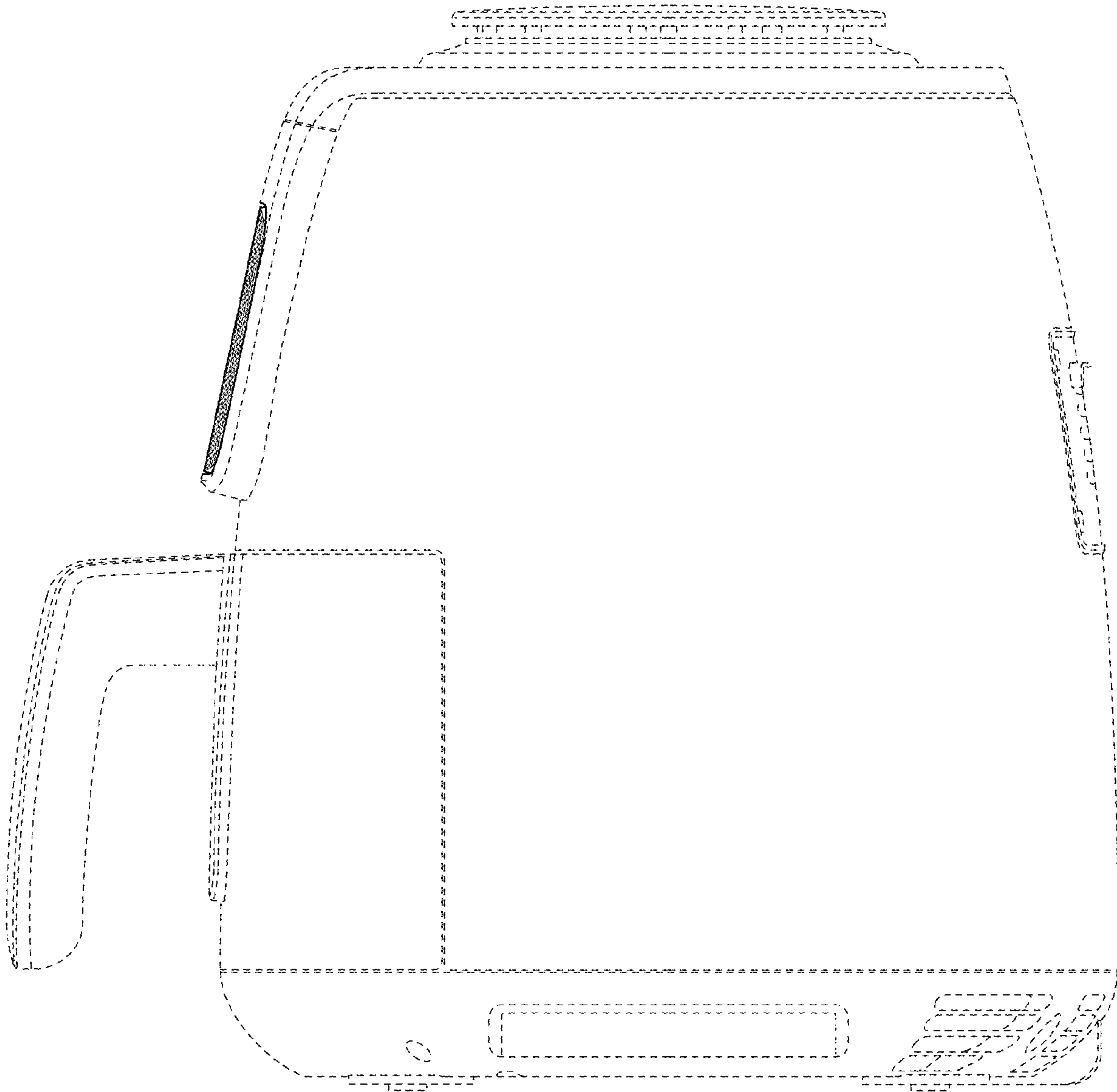


FIG. 11

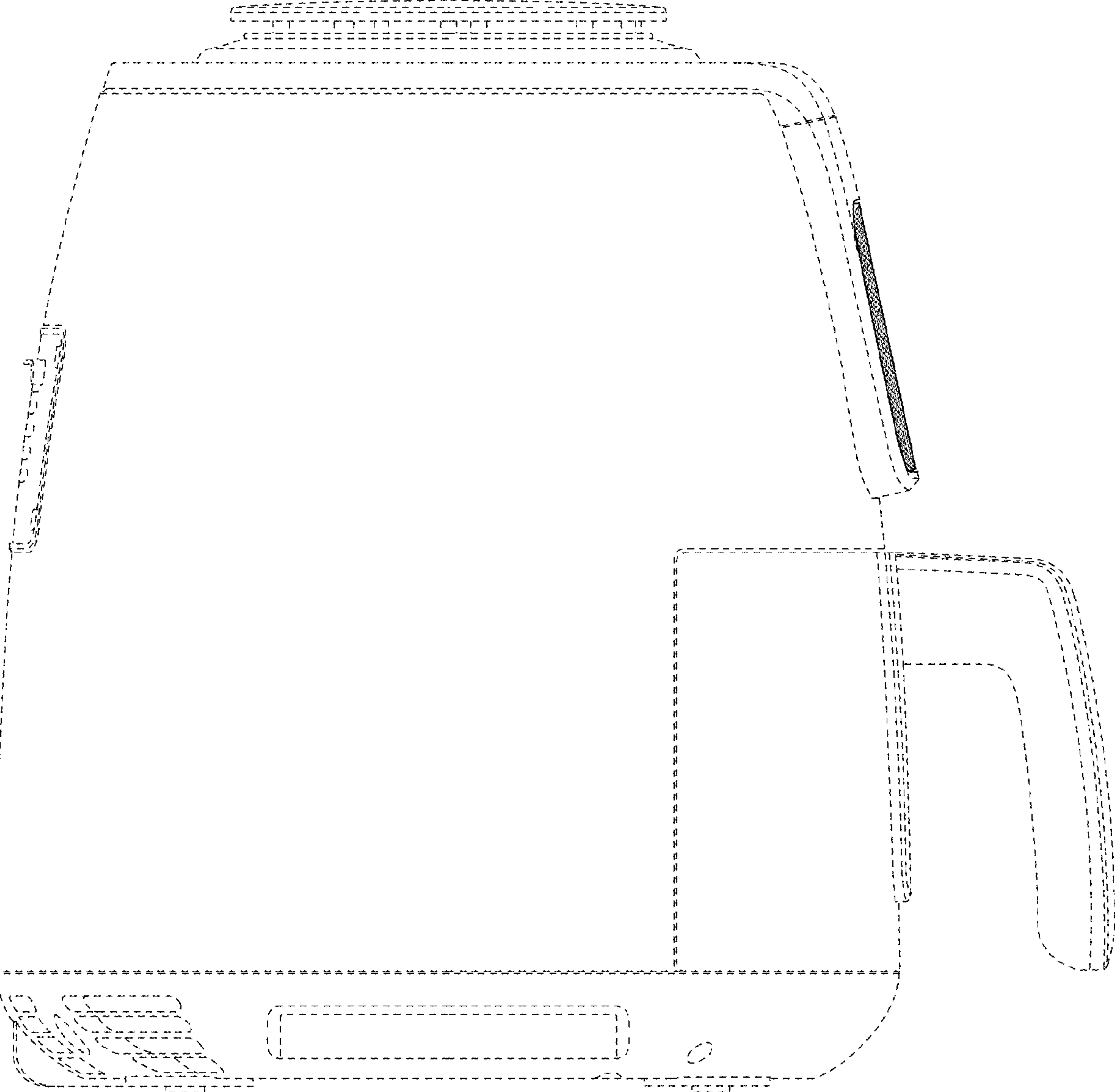


FIG. 12

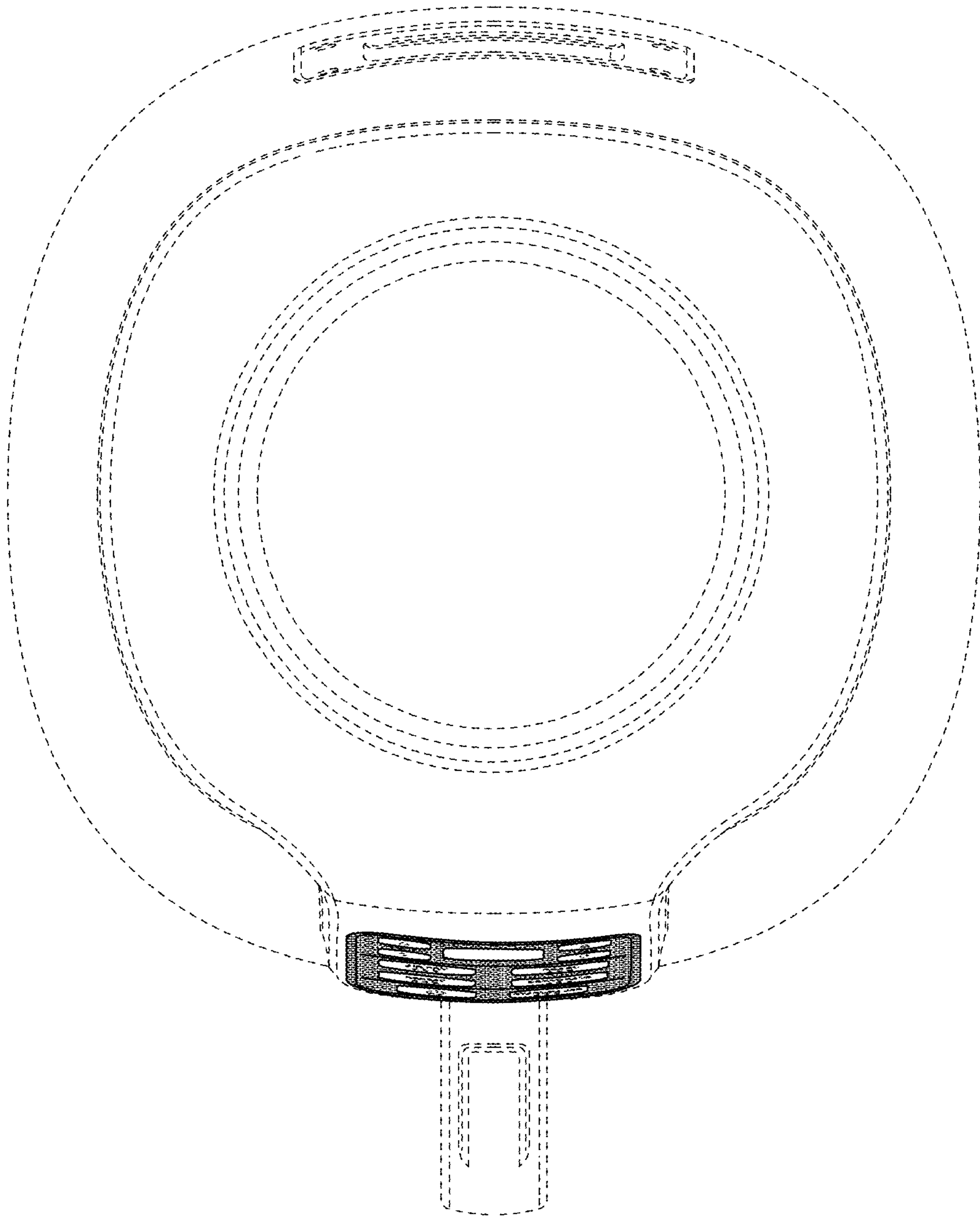


FIG. 13

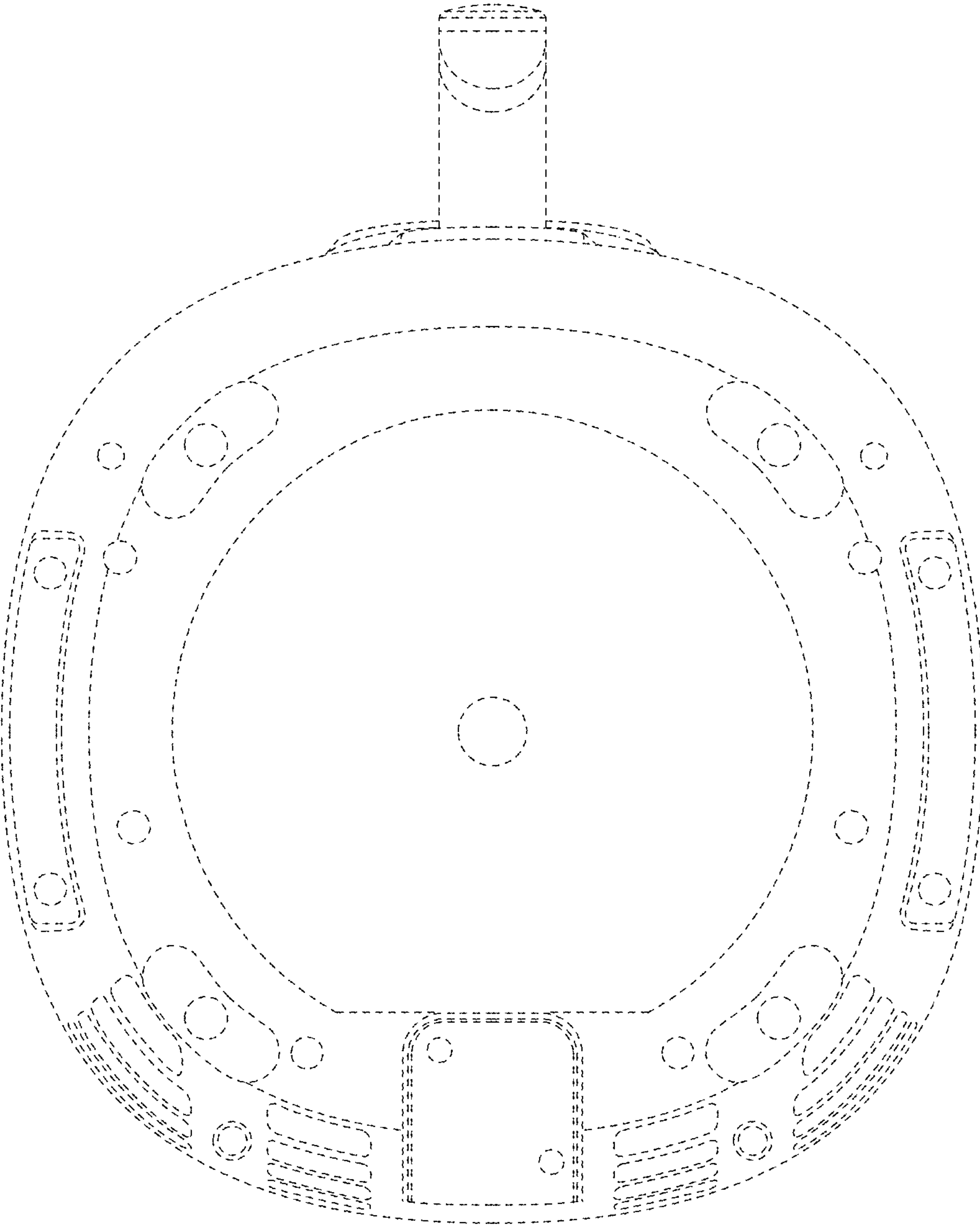


FIG. 14