



US00D874864S

(12) **United States Design Patent**  
**Lien**

(10) **Patent No.:** **US D874,864 S**

(45) **Date of Patent:** **\*\* Feb. 11, 2020**

- (54) **GRILL**
- (71) Applicant: **Mor Designs Ltd.**, Taipei (TW)
- (72) Inventor: **Hung Mei Lien**, Taipei (TW)
- (73) Assignee: **MOR DESIGNS LTD.**, Taipei (TW)
- (\*\*) Term: **15 Years**
- (21) Appl. No.: **29/633,635**
- (22) Filed: **Jan. 15, 2018**
- (30) **Foreign Application Priority Data**

D687,667 S *	8/2013	Chien	.....	D7/334
D723,321 S *	3/2015	Chung	.....	D7/334
D726,491 S *	4/2015	Witzel	.....	D7/334
D760,012 S *	6/2016	Lin	.....	D7/337
D809,328 S *	2/2018	Lira-Nunez	.....	D7/334
D815,876 S *	4/2018	Stanton	.....	D7/334
D820,025 S *	6/2018	Yang	.....	D7/337
2004/0112364 A1 *	6/2004	Johnson	.....	A47J 37/0704 126/41 R
2013/0074822 A1 *	3/2013	Chien	.....	A47J 37/0763 126/25 R
2015/0075515 A1 *	3/2015	Lin	.....	A47J 37/0713 126/25 R
2015/0114383 A1 *	4/2015	Lin	.....	A47J 37/0763 126/25 R
2015/0238048 A1 *	8/2015	Lin	.....	A47J 37/0713 99/446

- Oct. 12, 2017 (CN) ..... 2017 3 0485706
- (51) **LOC (12) Cl.** ..... **07-02**
- (52) **U.S. Cl.**  
USPC ..... **D7/334**
- (58) **Field of Classification Search**  
USPC ..... D7/332-337, 351-353, 402-409;  
126/25 R  
CPC ..... A47J 37/07-0781; A47J 37/0786; A47J  
33/00; A23B 4/044-056; F24C 3/14;  
F24B 1/202  
See application file for complete search history.

\* cited by examiner

*Primary Examiner* — Brett Miller

(74) *Attorney, Agent, or Firm* — Rankin, Hill & Clark  
LLP

(56) **References Cited**

**U.S. PATENT DOCUMENTS**

D460,312 S *	7/2002	Fry	.....	D7/334
D460,313 S *	7/2002	Crookshanks	.....	D7/334
D478,462 S *	8/2003	Zhu	.....	D7/332
D510,838 S *	10/2005	Nipke	.....	D7/334
D533,011 S *	12/2006	Pai	.....	D7/334
D547,593 S *	7/2007	May	.....	D7/334
D547,594 S *	7/2007	Pai	.....	D7/334
D607,262 S *	1/2010	Chung	.....	D7/334

(57) **CLAIM**

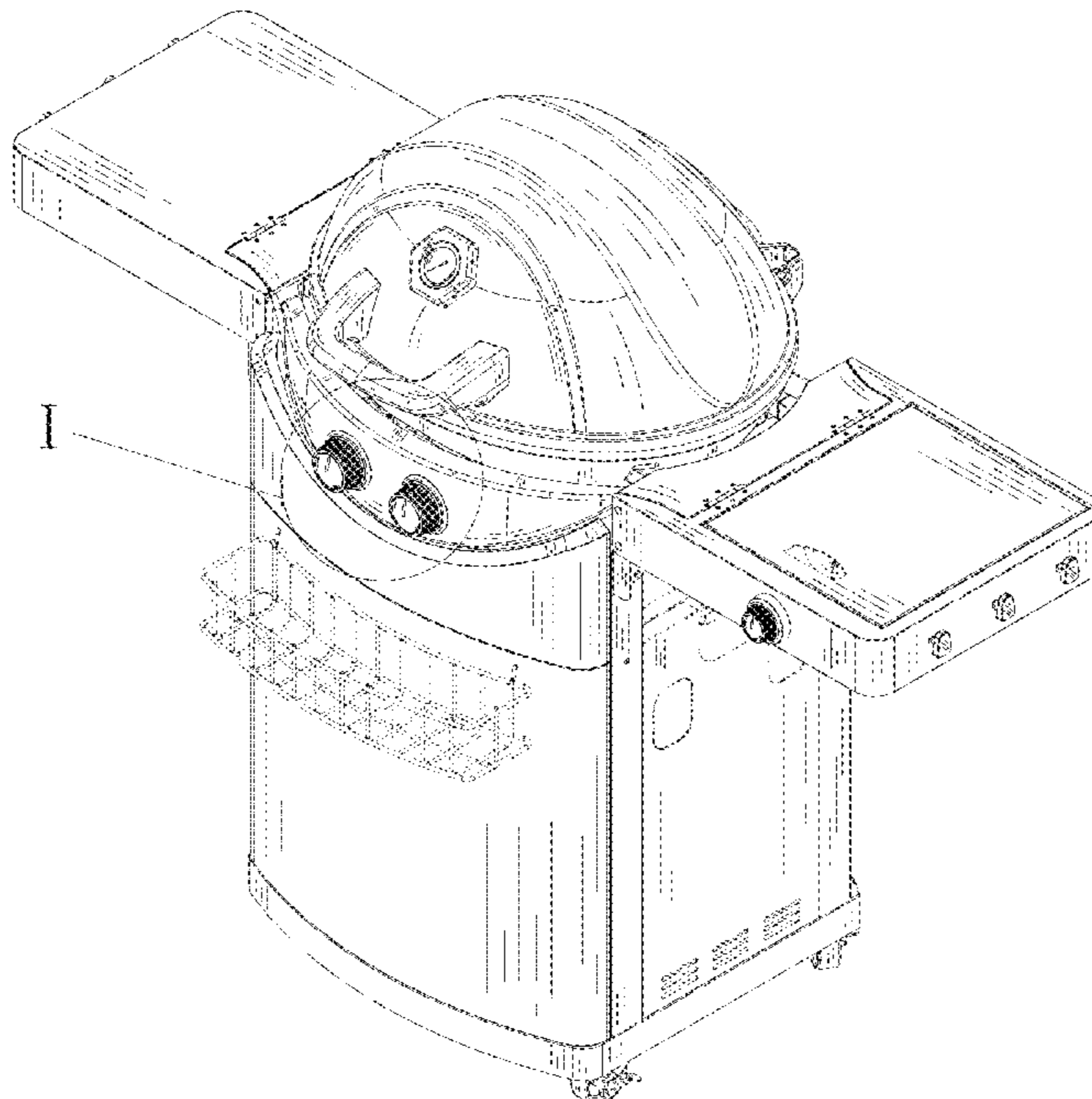
The ornamental design for a grill, as shown and described.

**DESCRIPTION**

FIG. 1 is a perspective view of a grill;  
 FIG. 2 is a front view thereof;  
 FIG. 3 is a rear view thereof;  
 FIG. 4 is a left side view thereof;  
 FIG. 5 is a right side view thereof;  
 FIG. 6 is a top view thereof; and,  
 FIG. 7 is a partially enlarged view of part I of the grill shown  
 in FIG. 1.

The broken lines in the drawings depict portions of the grill that form no part of the claimed design.

**1 Claim, 7 Drawing Sheets**



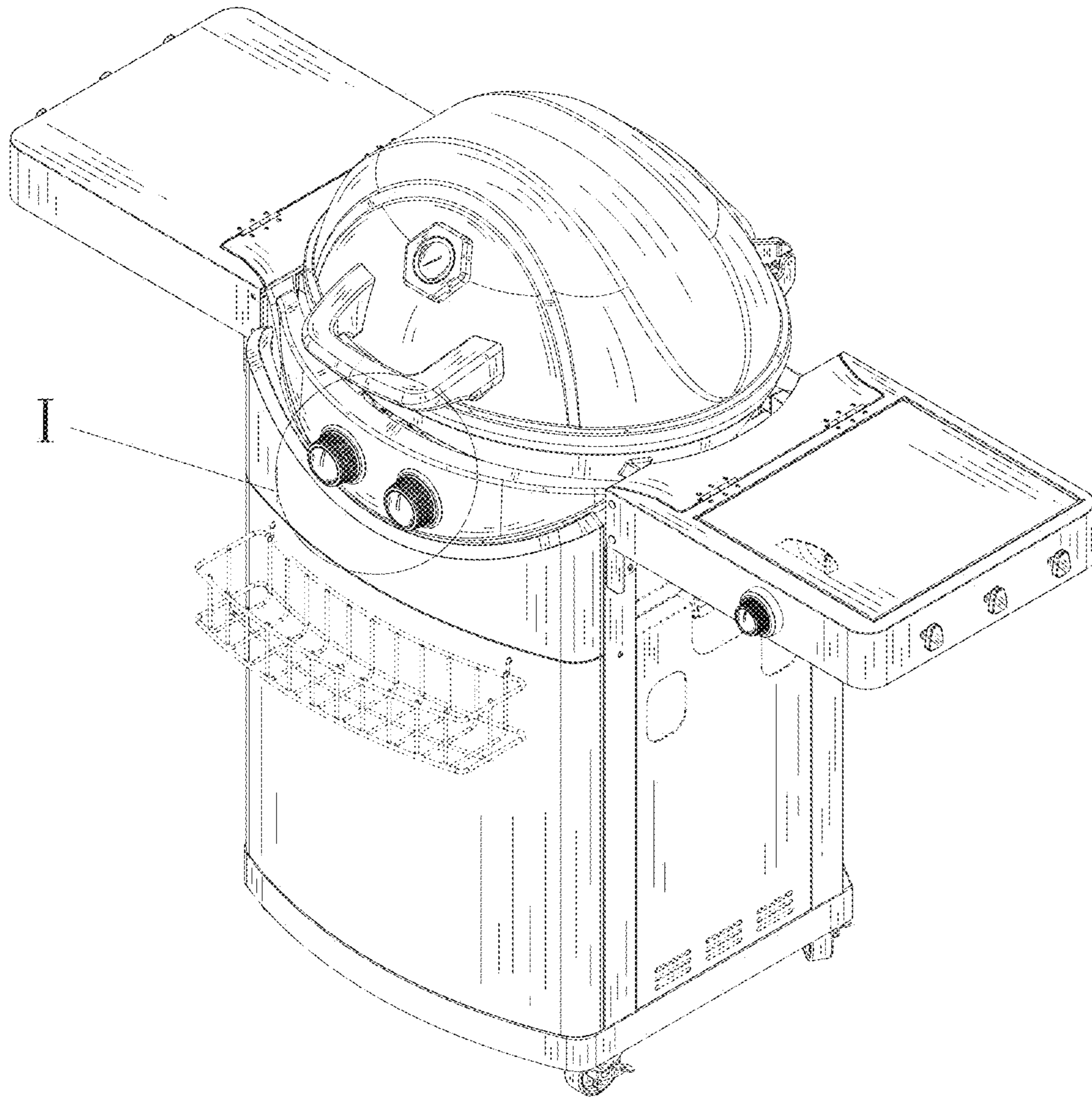


FIG.1

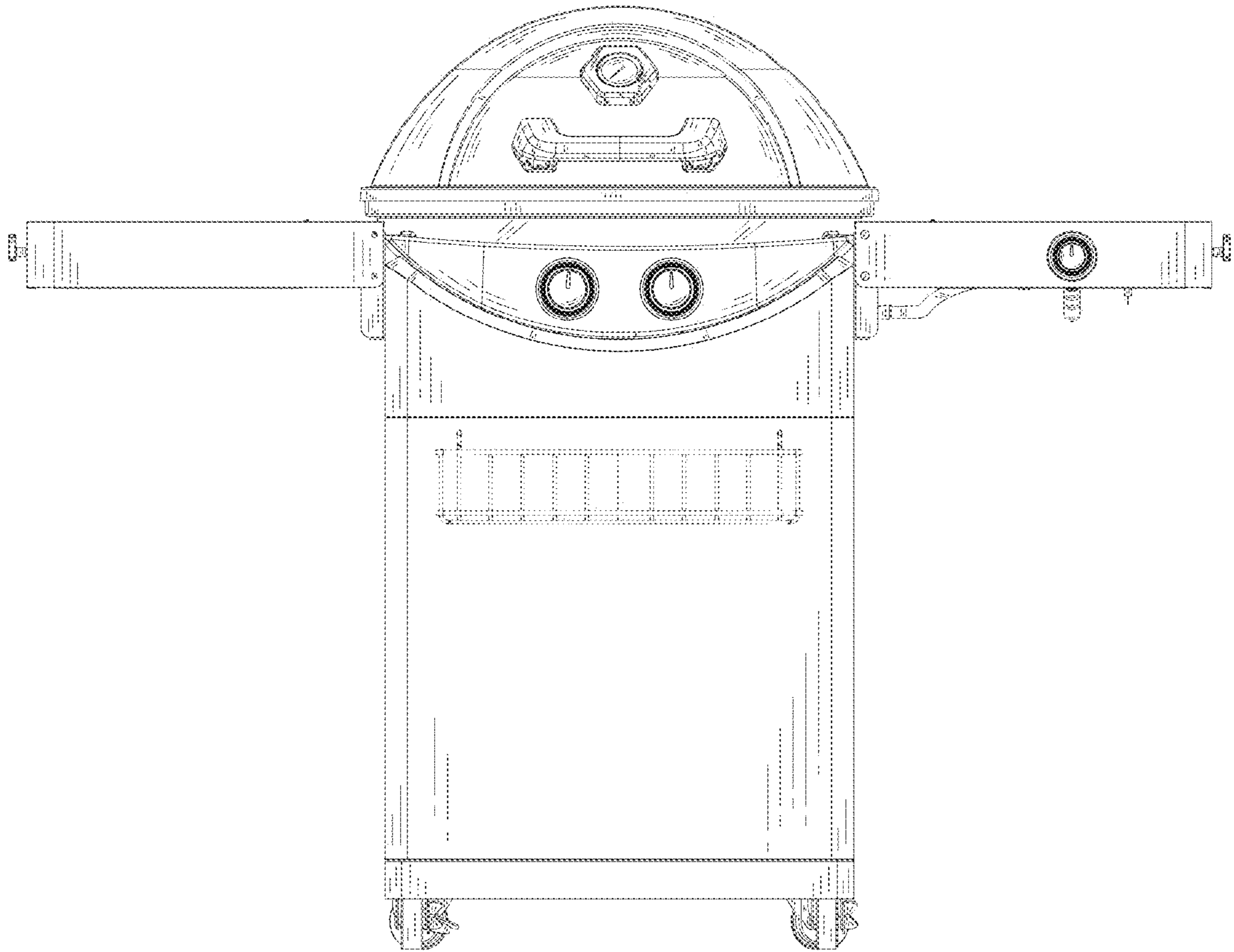


FIG.2

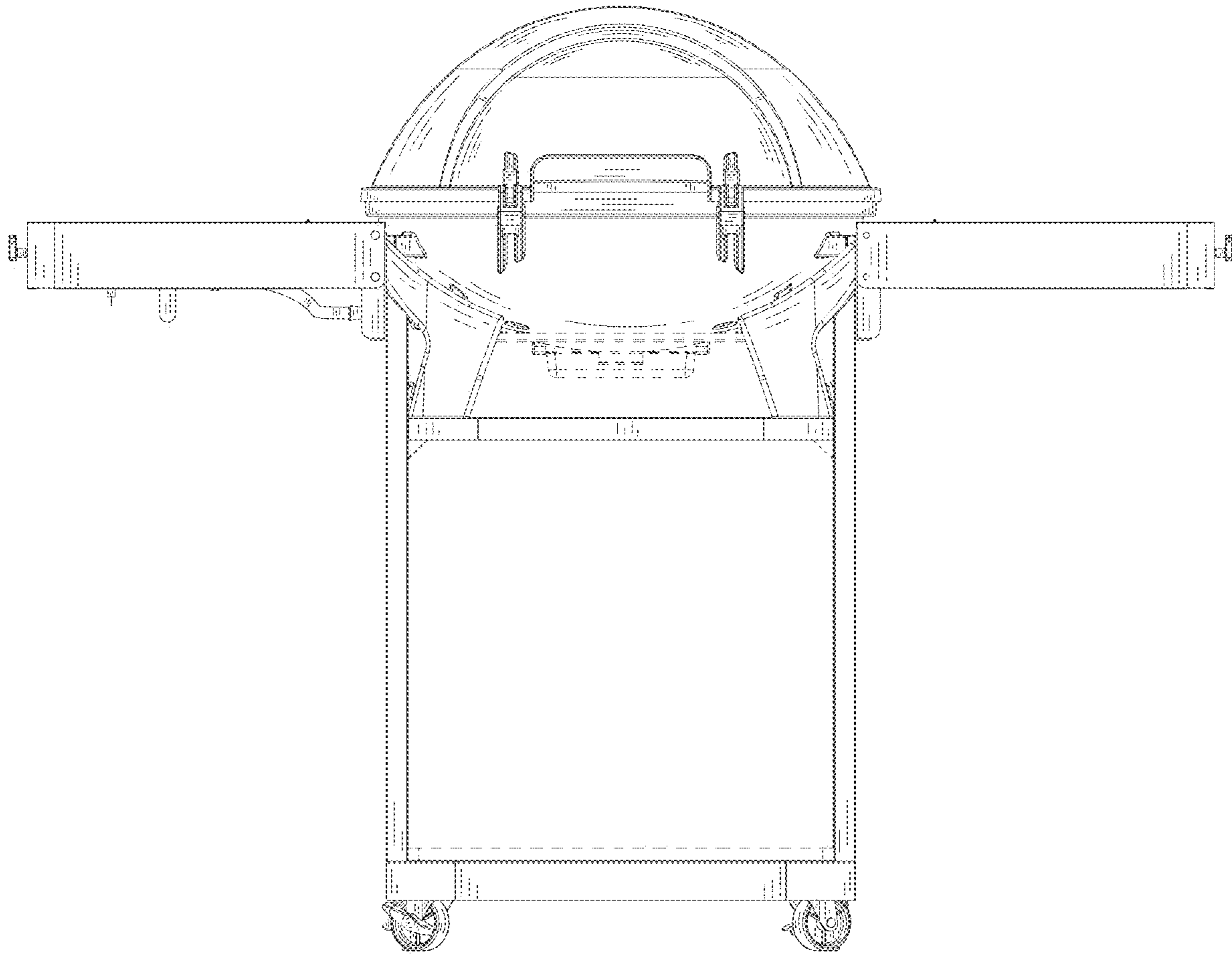


FIG.3



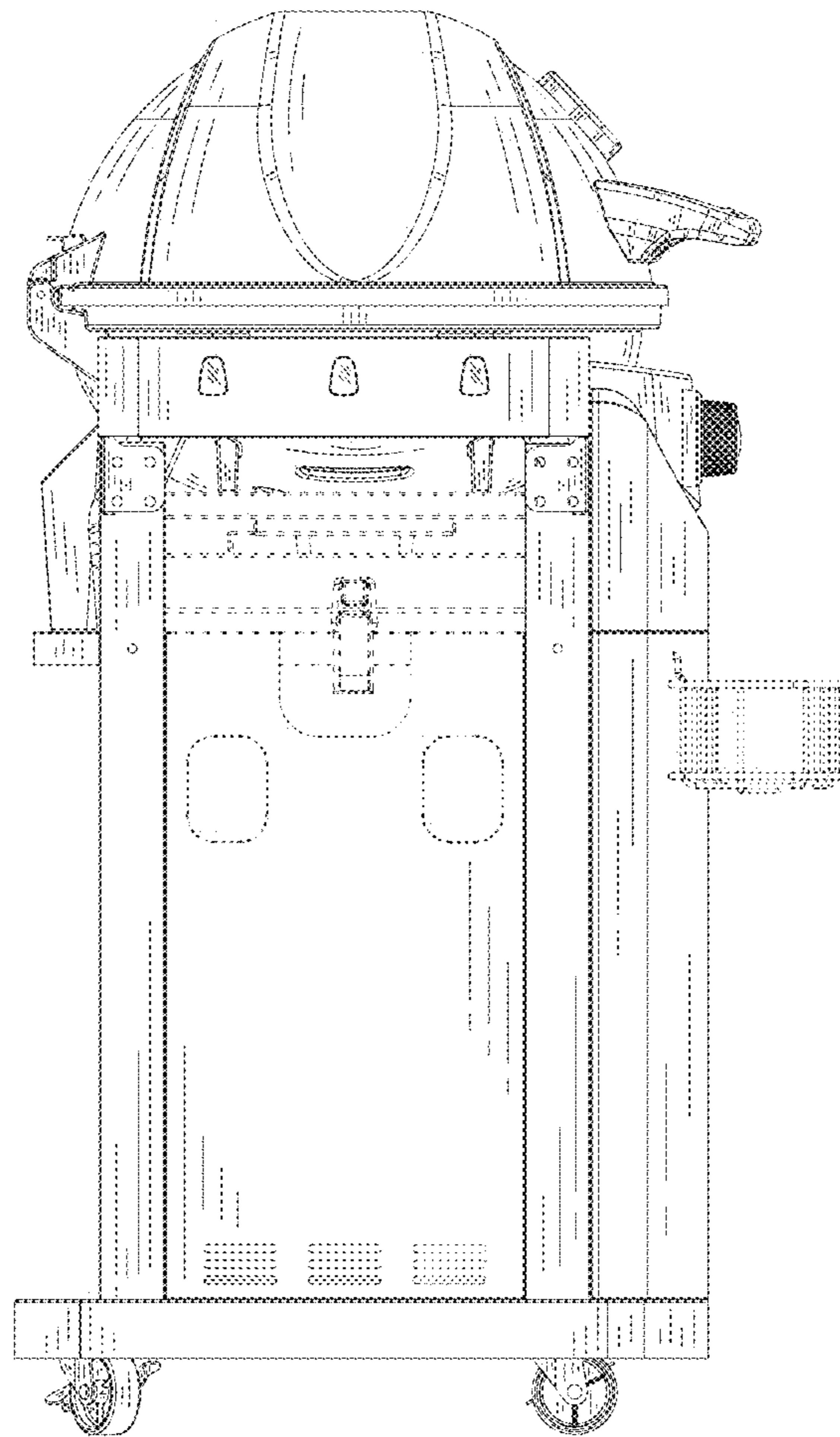


FIG.4

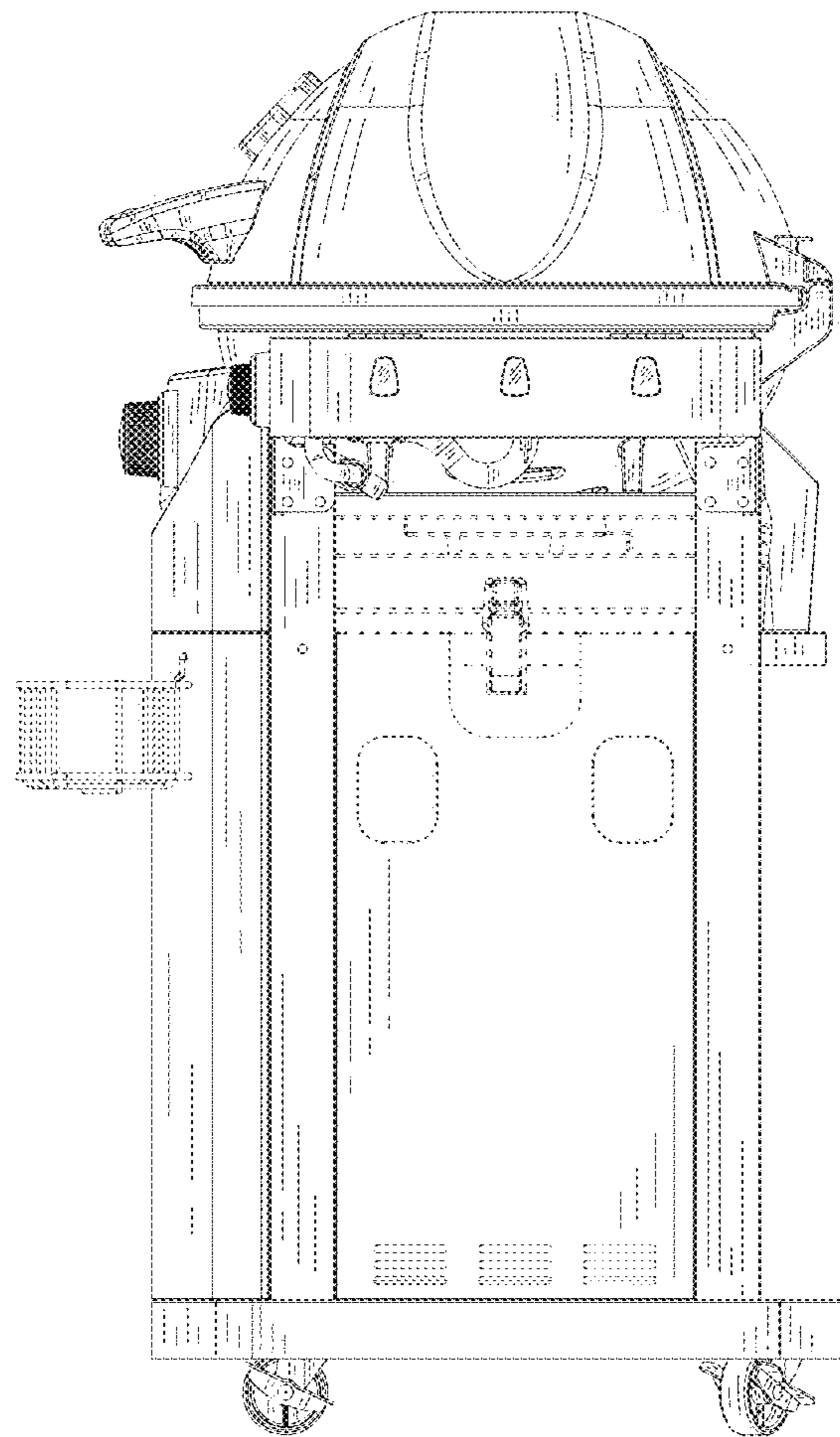


FIG.5

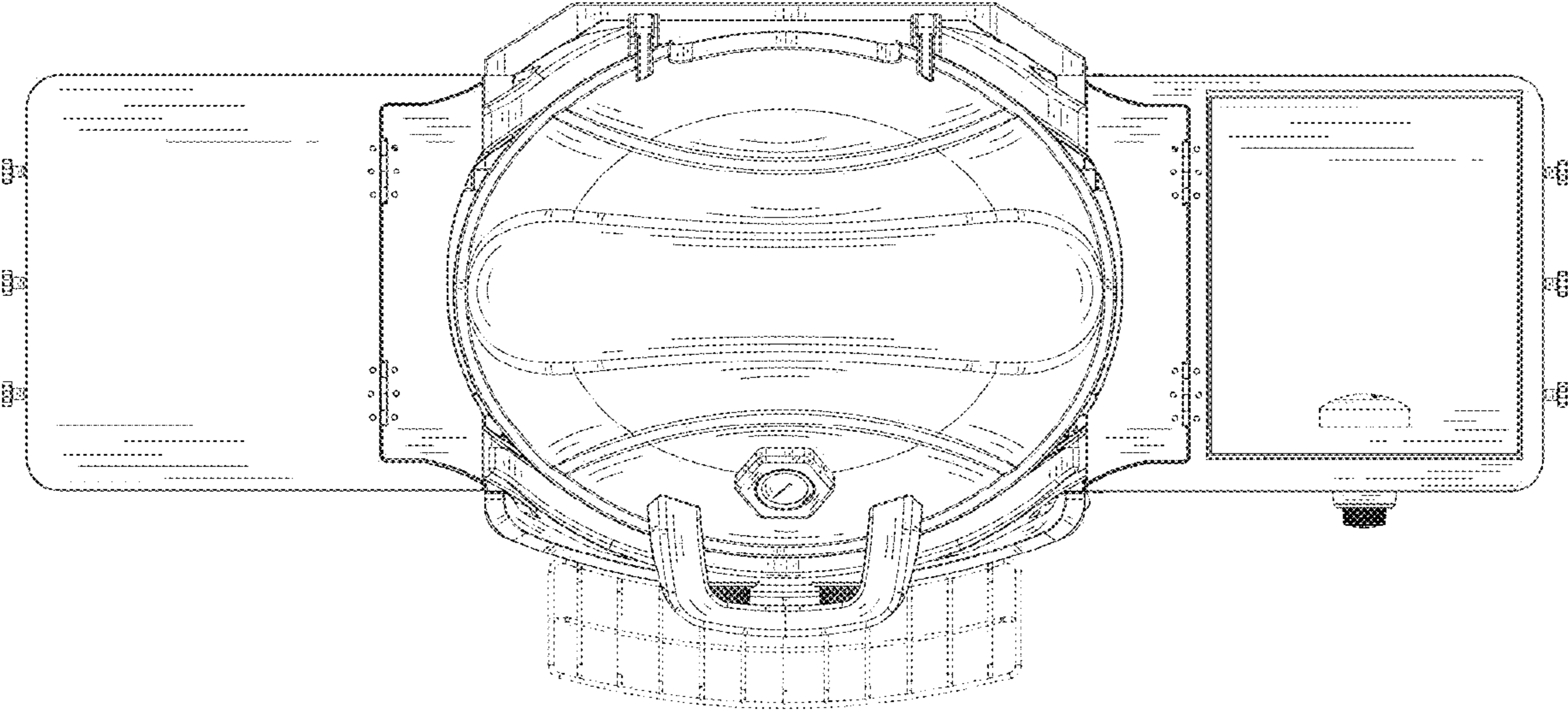


FIG. 6

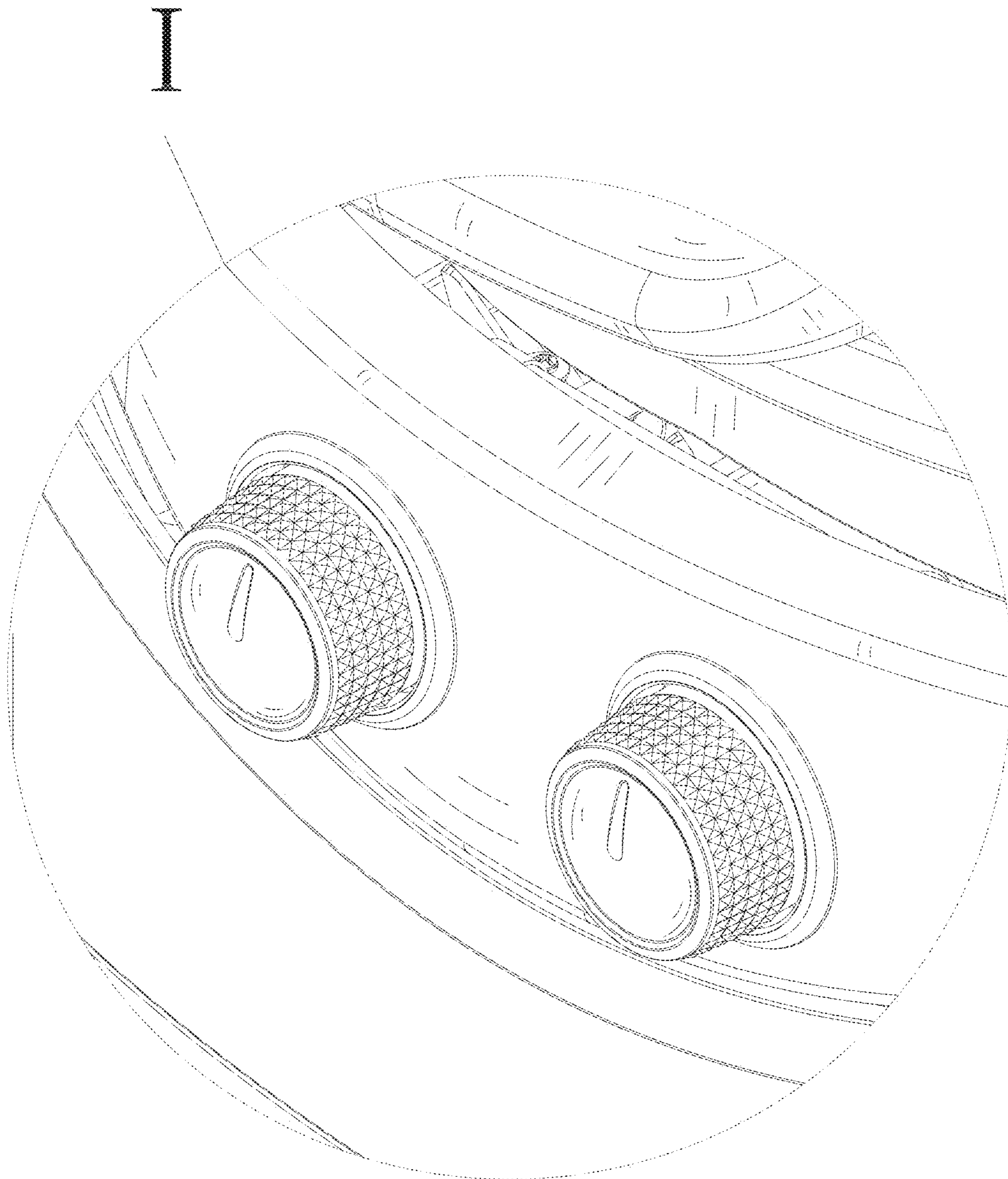


FIG. 7