



US00D874862S

(12) **United States Design Patent** (10) **Patent No.:** **US D874,862 S**
Alexander et al. (45) **Date of Patent:** **** Feb. 11, 2020**

(54) **CARAFE**

(71) Applicant: **Ember Technologies, Inc.**, Westlake Village, CA (US)

(72) Inventors: **Clayton Alexander**, Westlake Village, CA (US); **Mikko Juhani Timperi**, San Marcos, CA (US); **Daren John Leith**, Agoura Hills, CA (US); **Christopher Thomas Wakeham**, Solana Beach, CA (US); **Jacob William Emmert**, Westchester, CA (US)

(73) Assignee: **Ember Technologies, Inc.**, Westlake Village, CA (US)

(**) Term: **15 Years**

(21) Appl. No.: **29/663,182**

(22) Filed: **Sep. 12, 2018**

(51) **LOC (12) Cl.** **07-01**

(52) **U.S. Cl.**
USPC **D7/318**

(58) **Field of Classification Search**
USPC D7/598, 312, 317, 316, 318, 319, 300;
D11/153, 146
CPC A47G 19/22; A47G 19/16; A47G 19/12;
A47J 41/0094

See application file for complete search history.

(56) **References Cited**

U.S. PATENT DOCUMENTS

D239,687 S *	4/1976	Breger	D7/317
D258,712 S *	3/1981	Jacobson	D7/317
D269,317 S *	6/1983	Pozzi	D7/317
D303,904 S *	10/1989	Wolfenden	D7/317
D326,791 S *	6/1992	Rixen	D7/317
D458,795 S *	6/2002	Jørgensen	D7/317
D475,252 S *	6/2003	Lynd	D7/317
D475,883 S *	6/2003	Jørgensen	D7/317

D480,904 S *	10/2003	Backes et al.	D7/317
D498,384 S *	11/2004	McWilliam	D7/317
D523,280 S *	6/2006	Bertulis	D7/317
D554,425 S *	11/2007	Schwamkrug	D7/317
D560,951 S *	2/2008	Appleton	D7/317
D567,568 S *	4/2008	Bodum	D7/316
D682,600 S *	5/2013	De Leo	D7/317
D691,409 S *	10/2013	Dichraff	D7/317

(Continued)

Primary Examiner — Marianne N Pandozzi

(74) *Attorney, Agent, or Firm* — Knobbe, Martens, Olson & Bear LLP

(57) **CLAIM**

The ornamental design for a carafe, as shown and described.

DESCRIPTION

FIG. 1 is a perspective view of a carafe with the lid removed for ease of illustration showing my new design;

FIG. 2 is a front view thereof;

FIG. 3 is a rear view thereof;

FIG. 4 is a right side view thereof;

FIG. 5 is a left side view thereof;

FIG. 6 is a top view thereof;

FIG. 7 is a bottom view thereof; and

FIG. 8 is a perspective view of carafe with the lid of the carafe of FIG. 1;

FIG. 9 is a perspective view of carafe showing a second embodiment of our new design;

FIG. 10 is a front view thereof;

FIG. 11 is a rear view thereof;

FIG. 12 is a right side view thereof;

FIG. 13 is a left side view thereof;

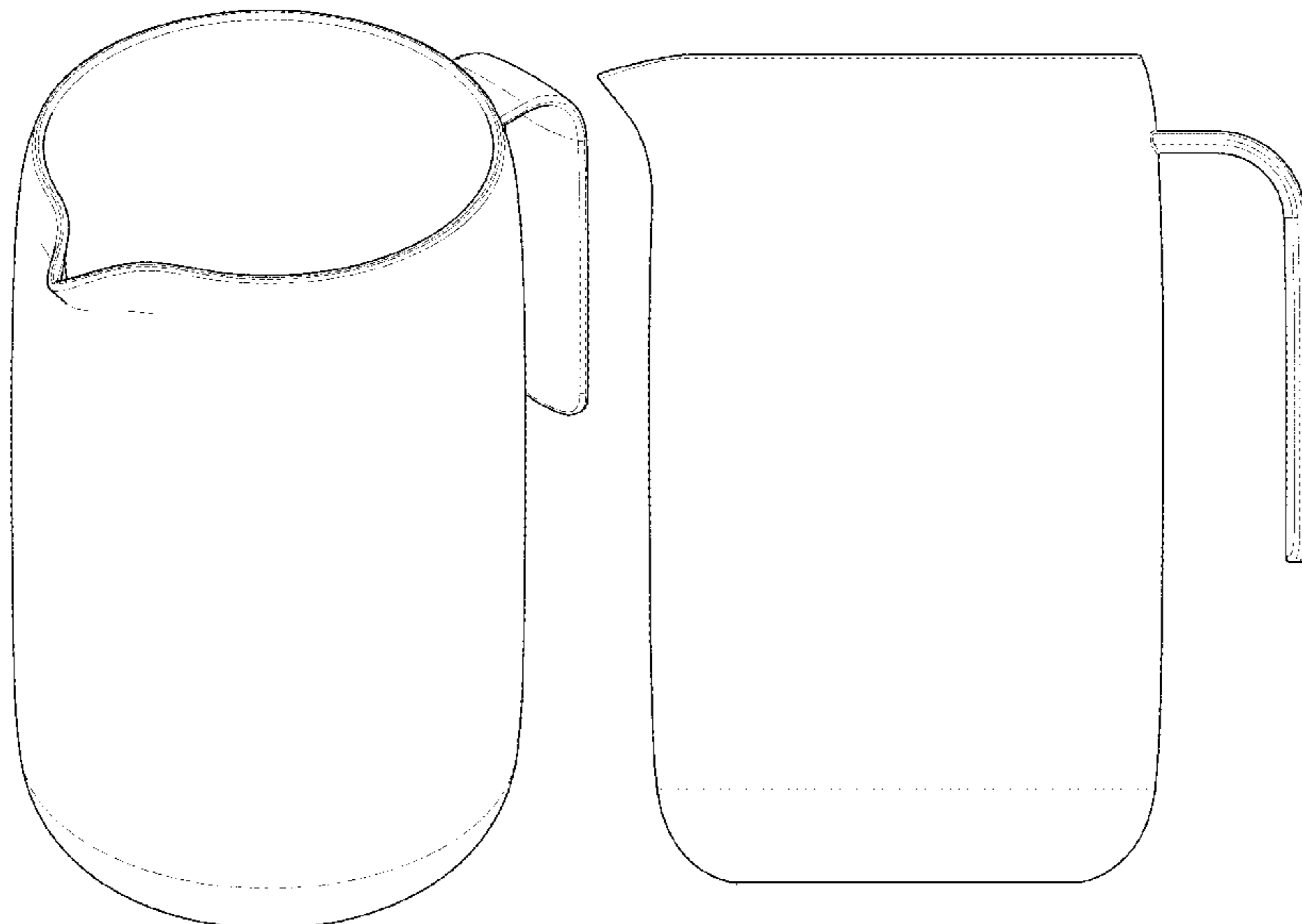
FIG. 14 is a top view thereof;

FIG. 15 is a bottom view thereof; and,

FIG. 16 is a perspective view of carafe with the lid of the carafe of FIG. 9.

The broken lines in the drawing depict portions of the carafe that form no part of the claimed design.

1 Claim, 16 Drawing Sheets



(56)

References Cited

U.S. PATENT DOCUMENTS

D691,410 S	*	10/2013	Dichraff	D7/317
D691,417 S	*	10/2013	Dichraff	D7/317
D738,669 S	*	9/2015	Brook	D7/317
D789,726 S	*	6/2017	Adelaju	D7/317
D813,588 S	*	3/2018	McConnell	D7/318
D845,694 S	*	4/2019	Liu	D7/317

* cited by examiner

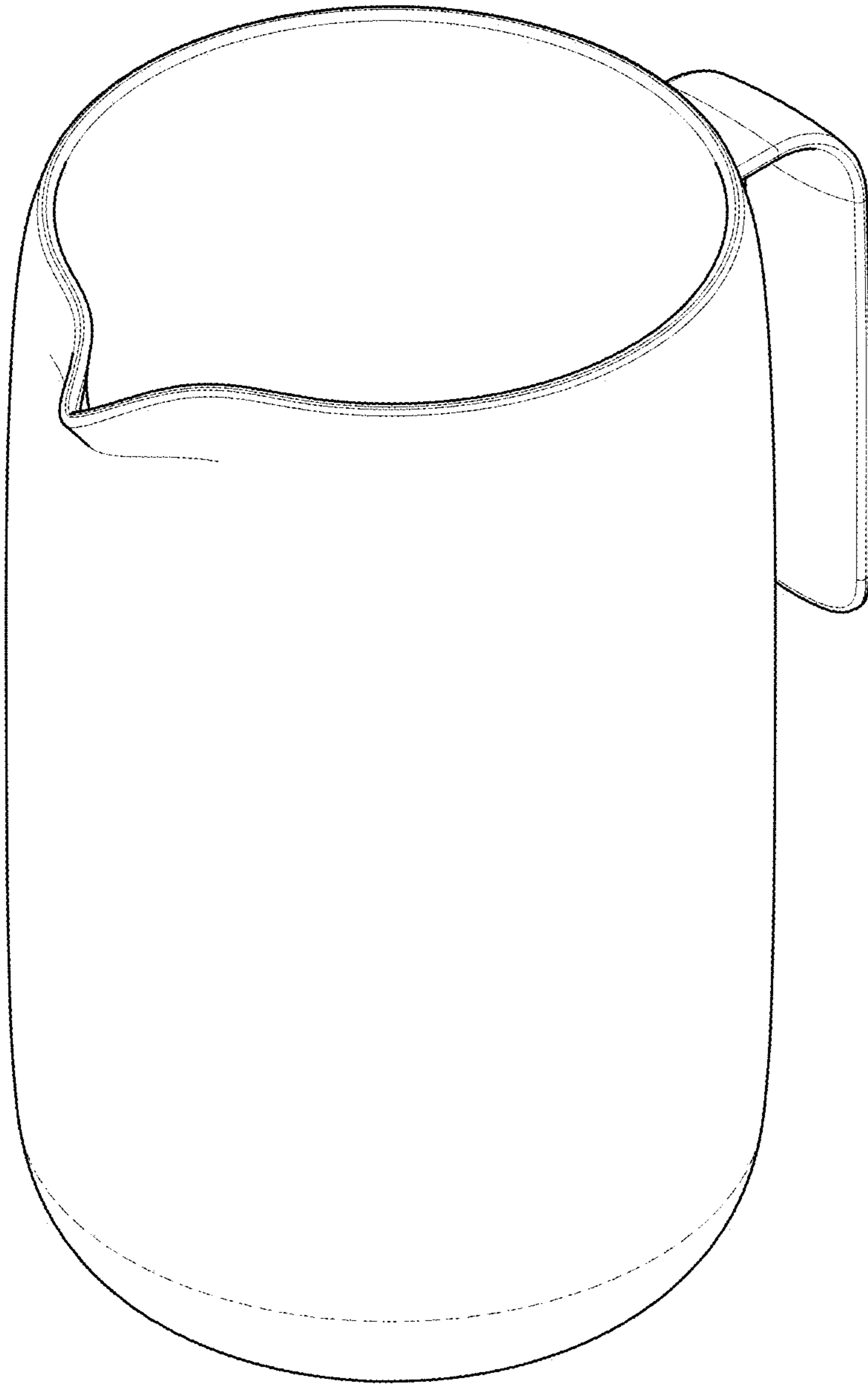


FIG. 1

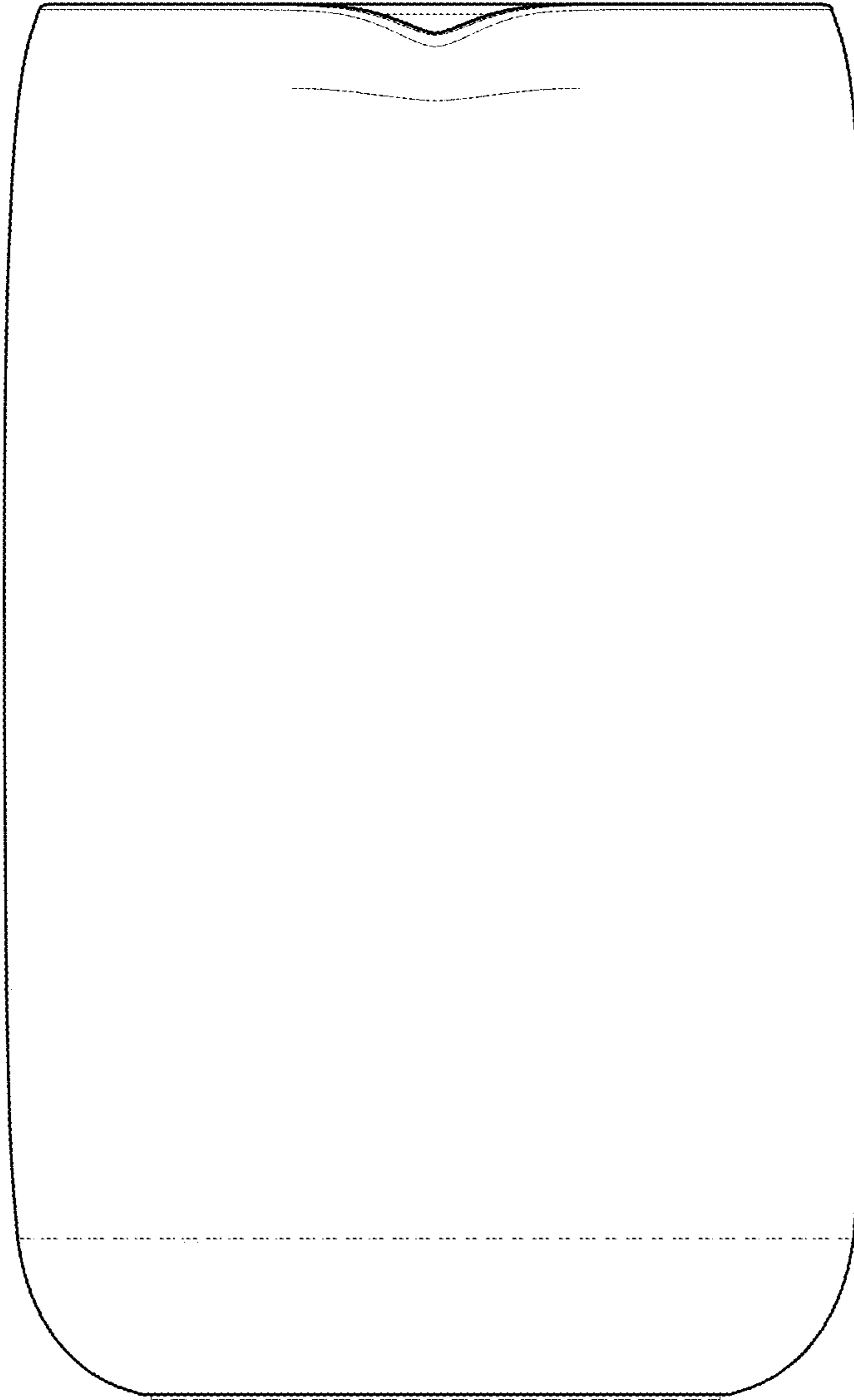


FIG. 2

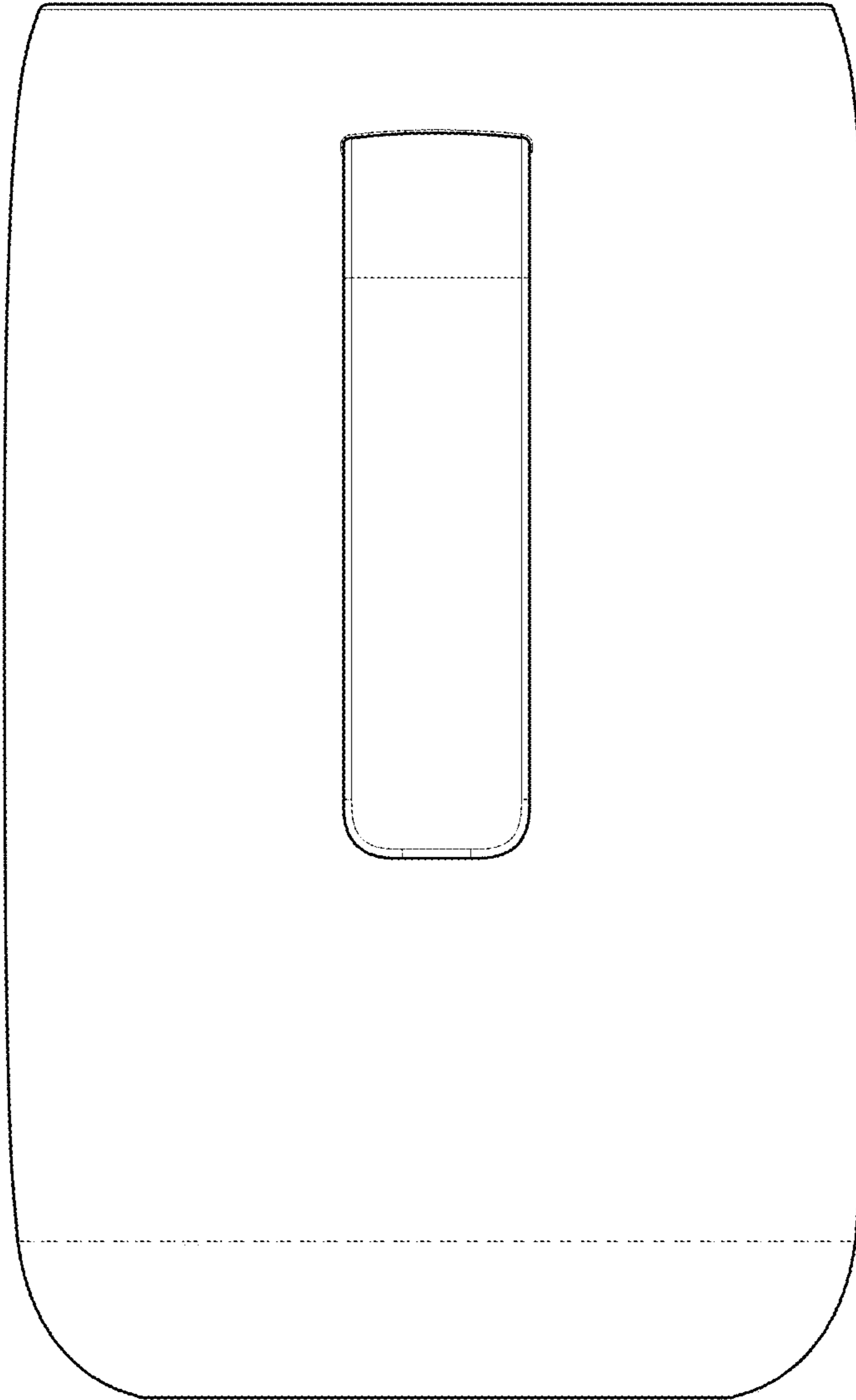


FIG. 3

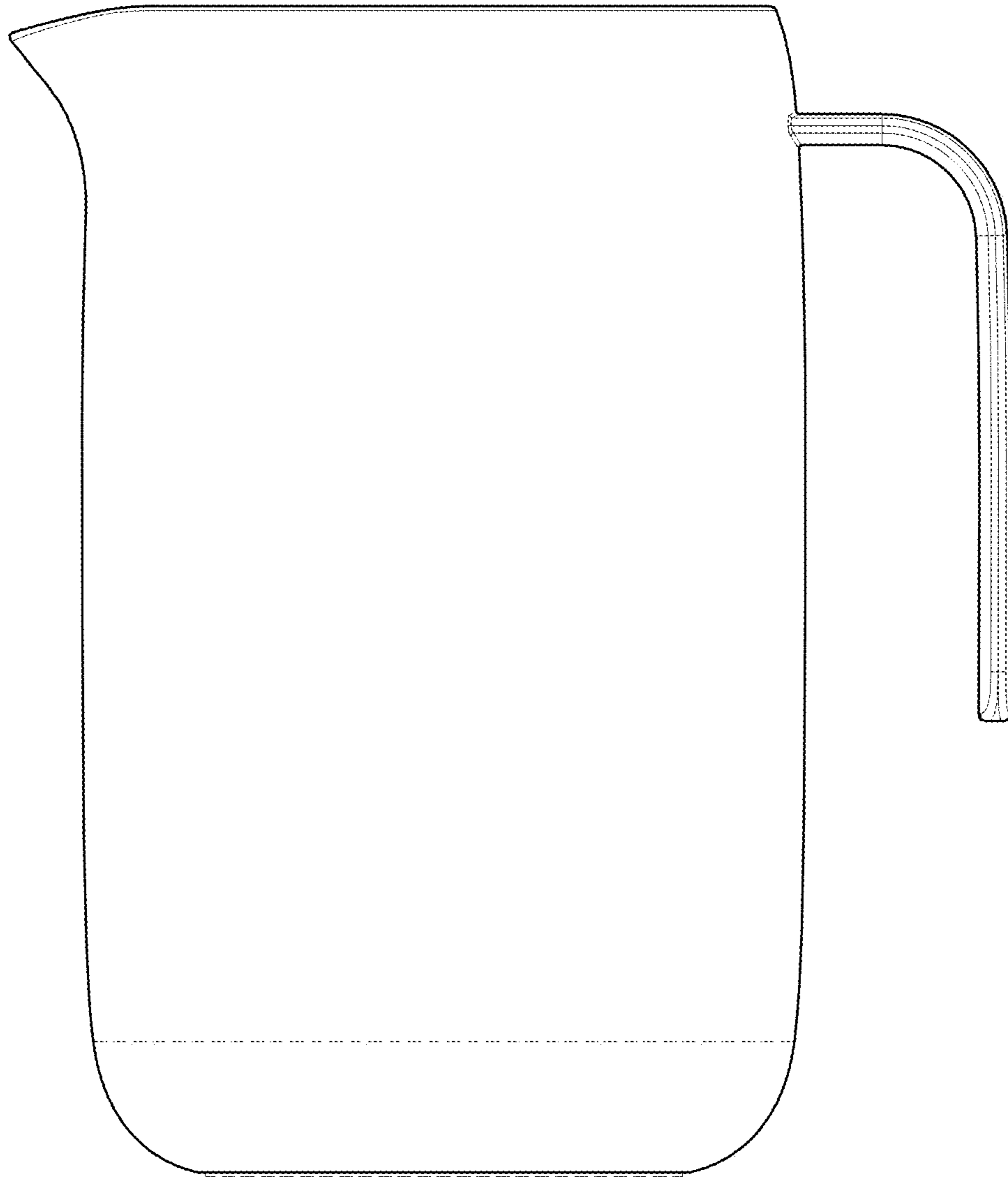


FIG. 4

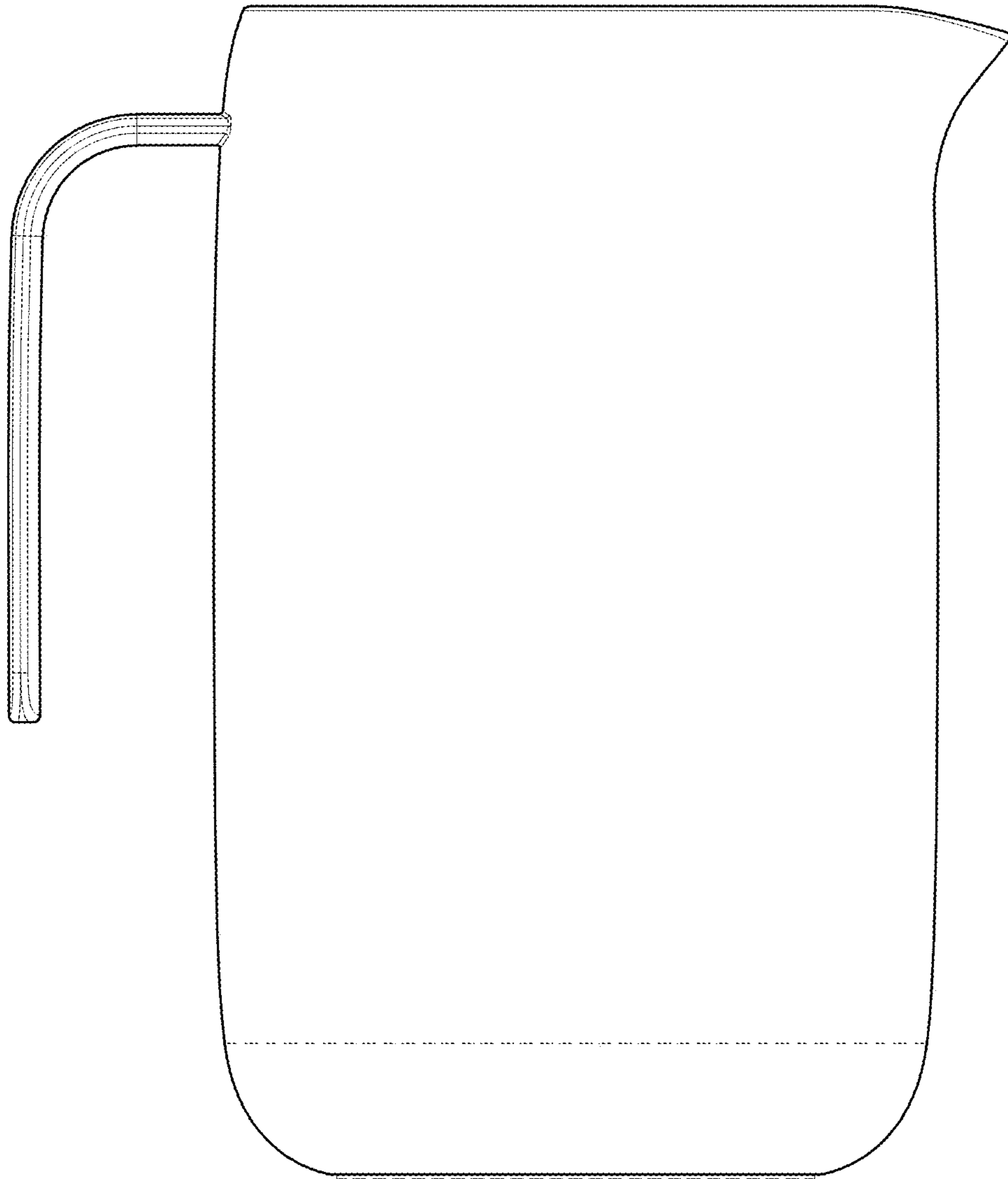


FIG. 5

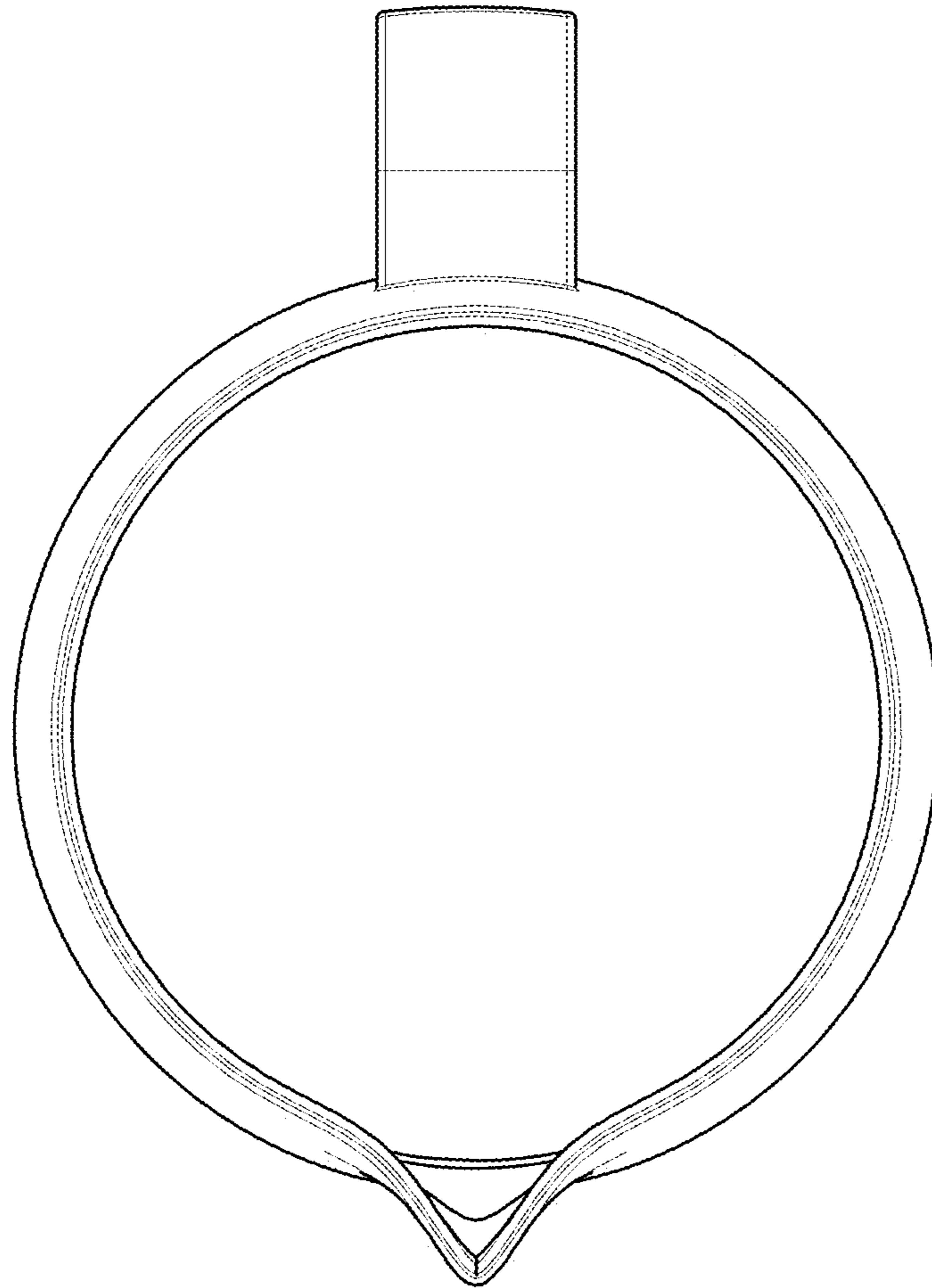


FIG. 6

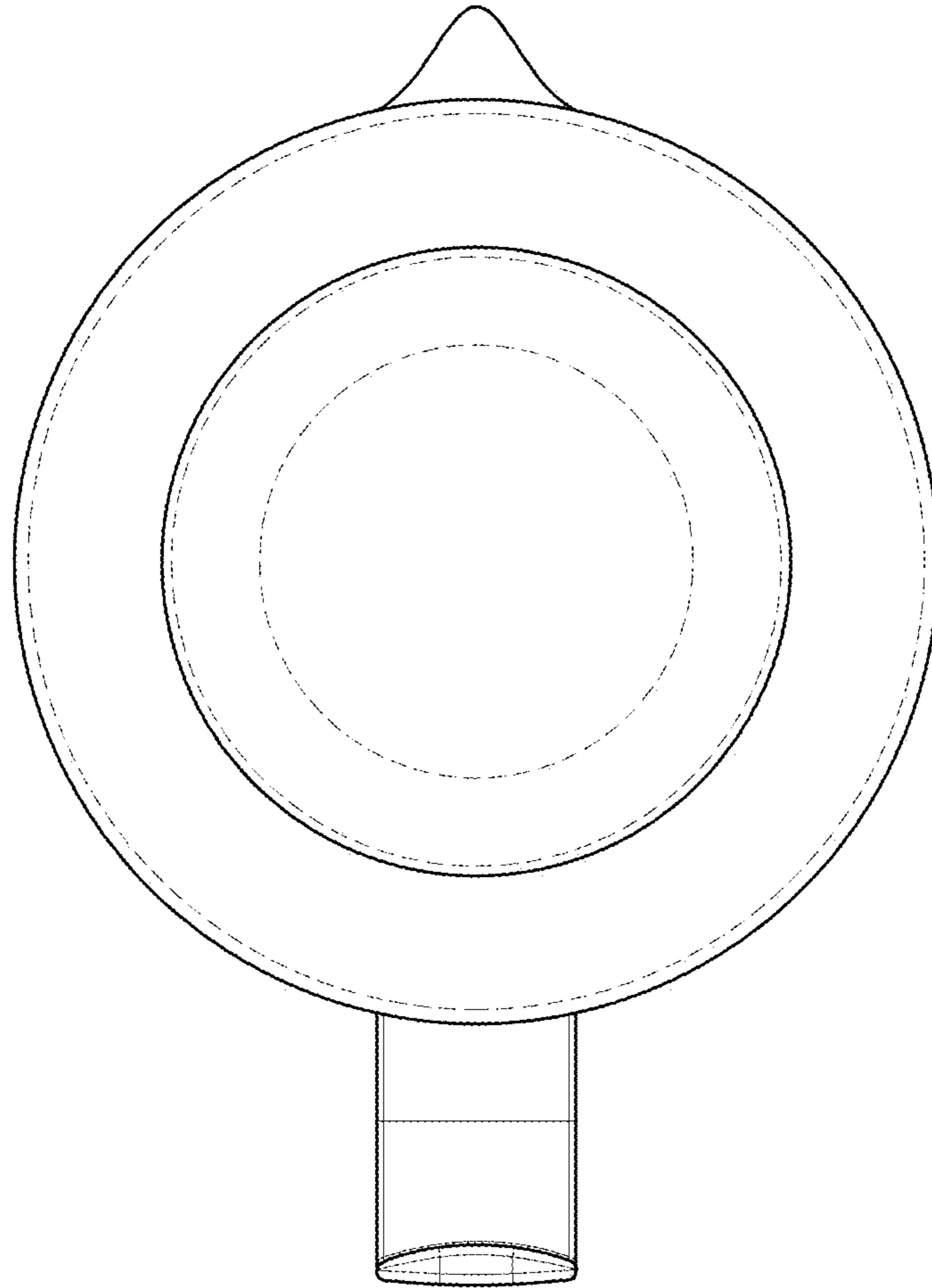


FIG. 7

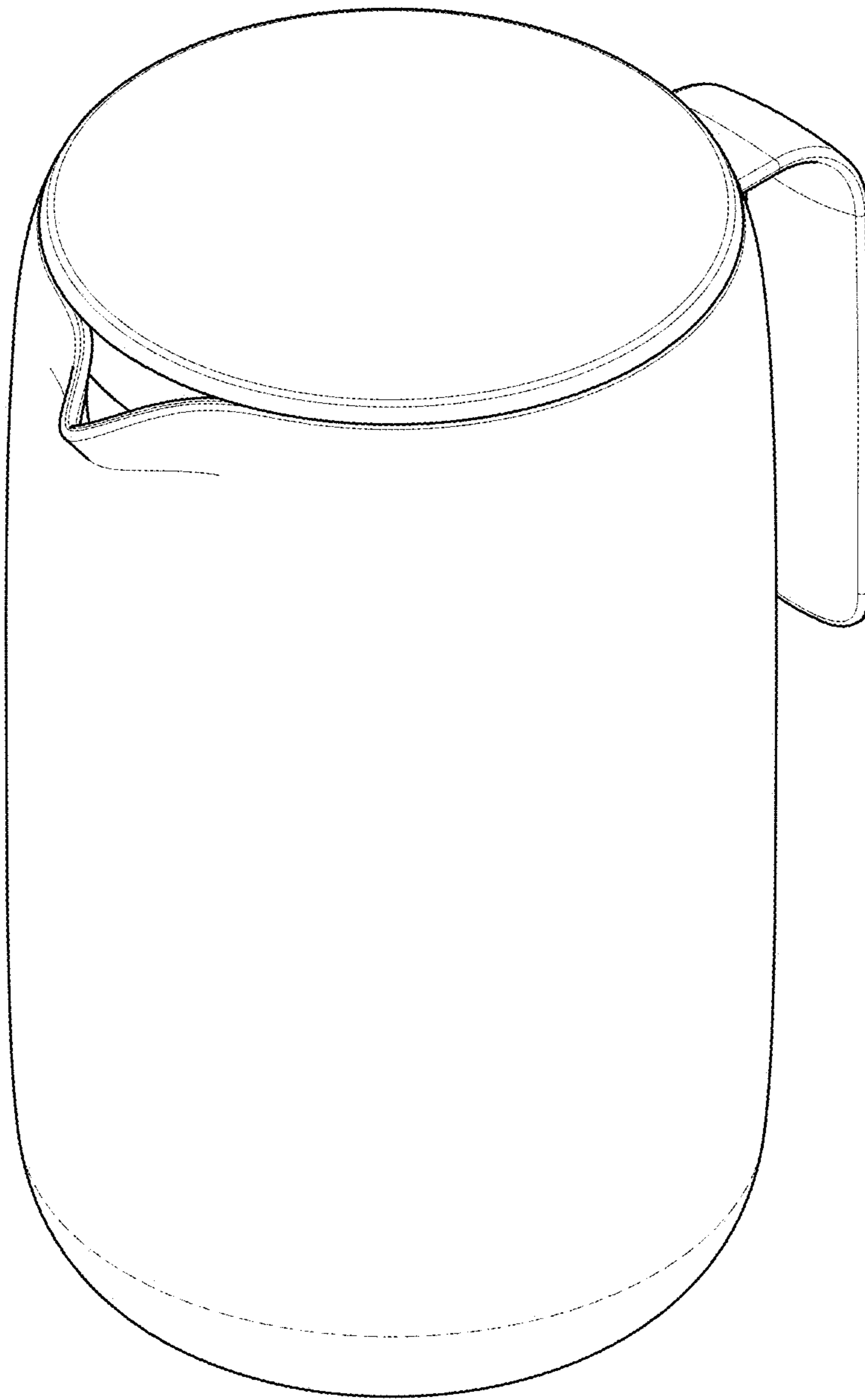


FIG. 8

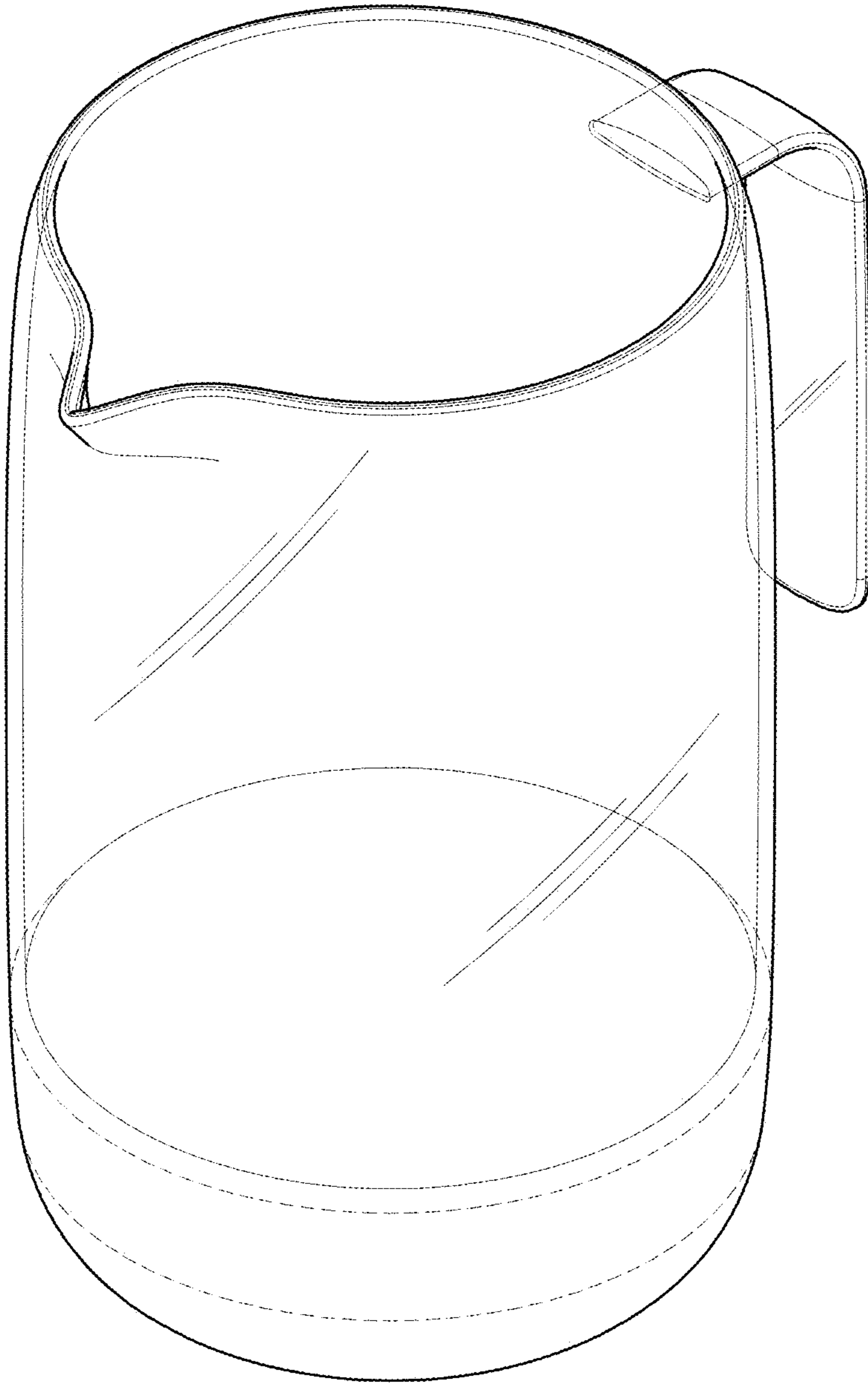


FIG. 9

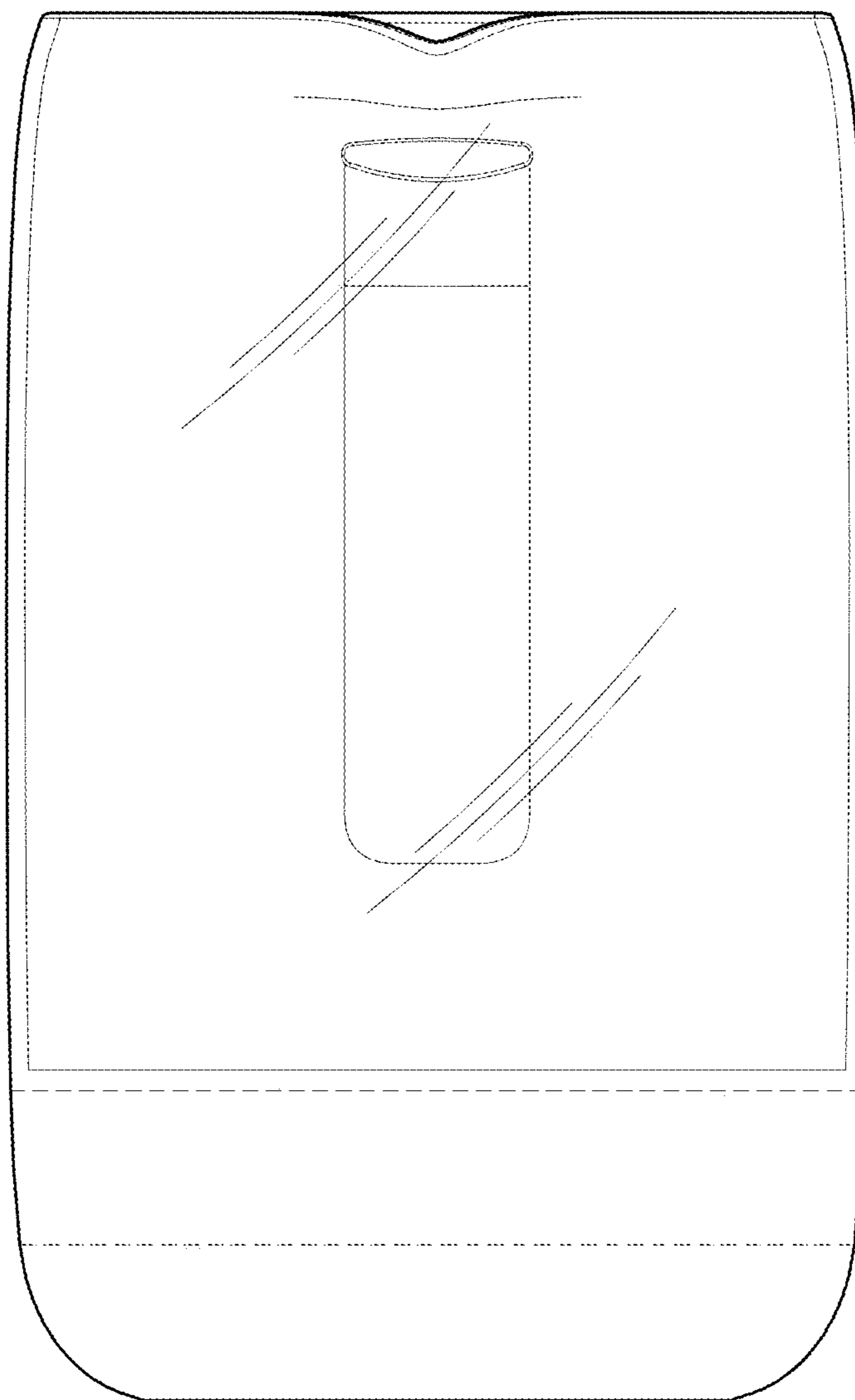


FIG. 10

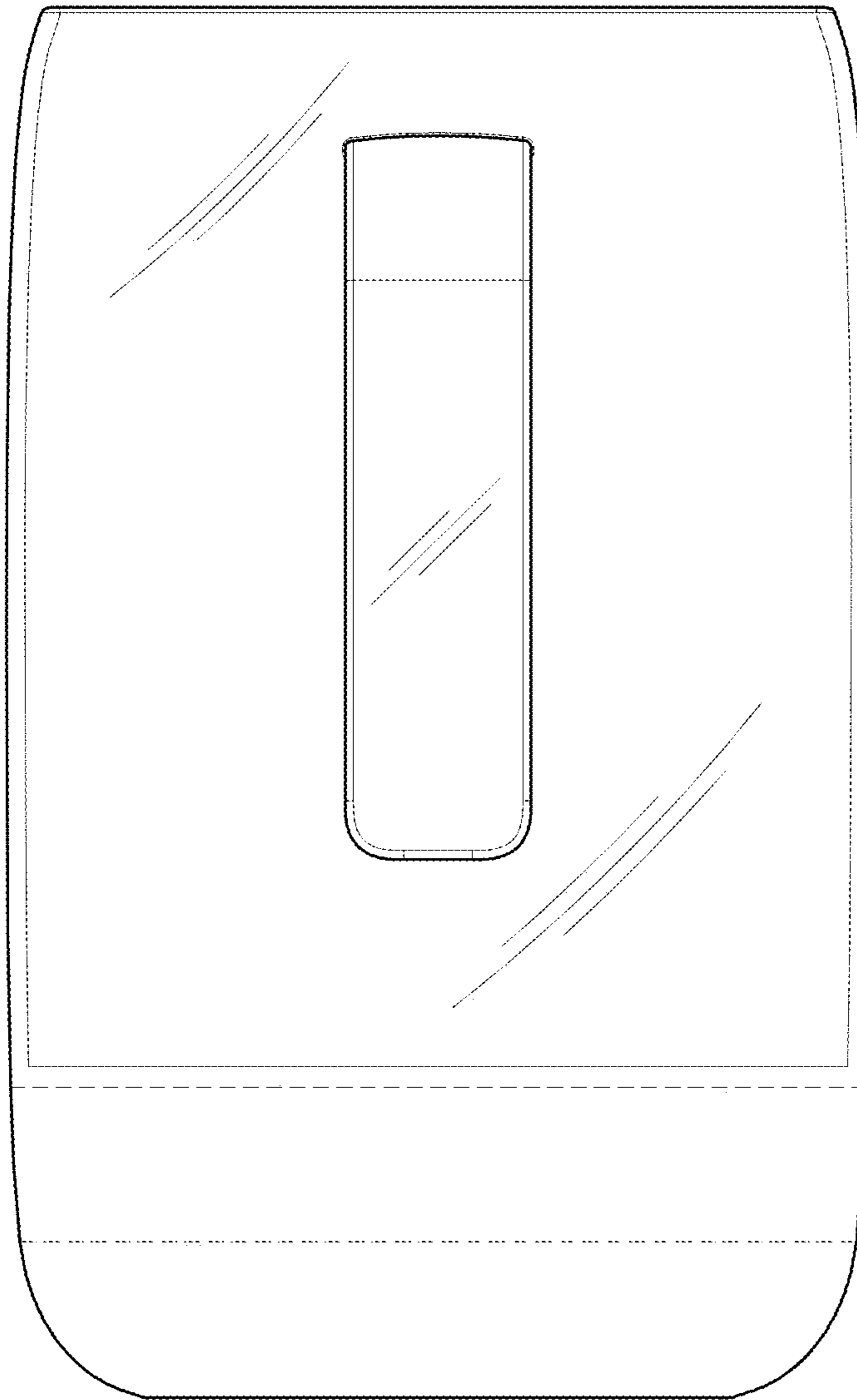


FIG. 11

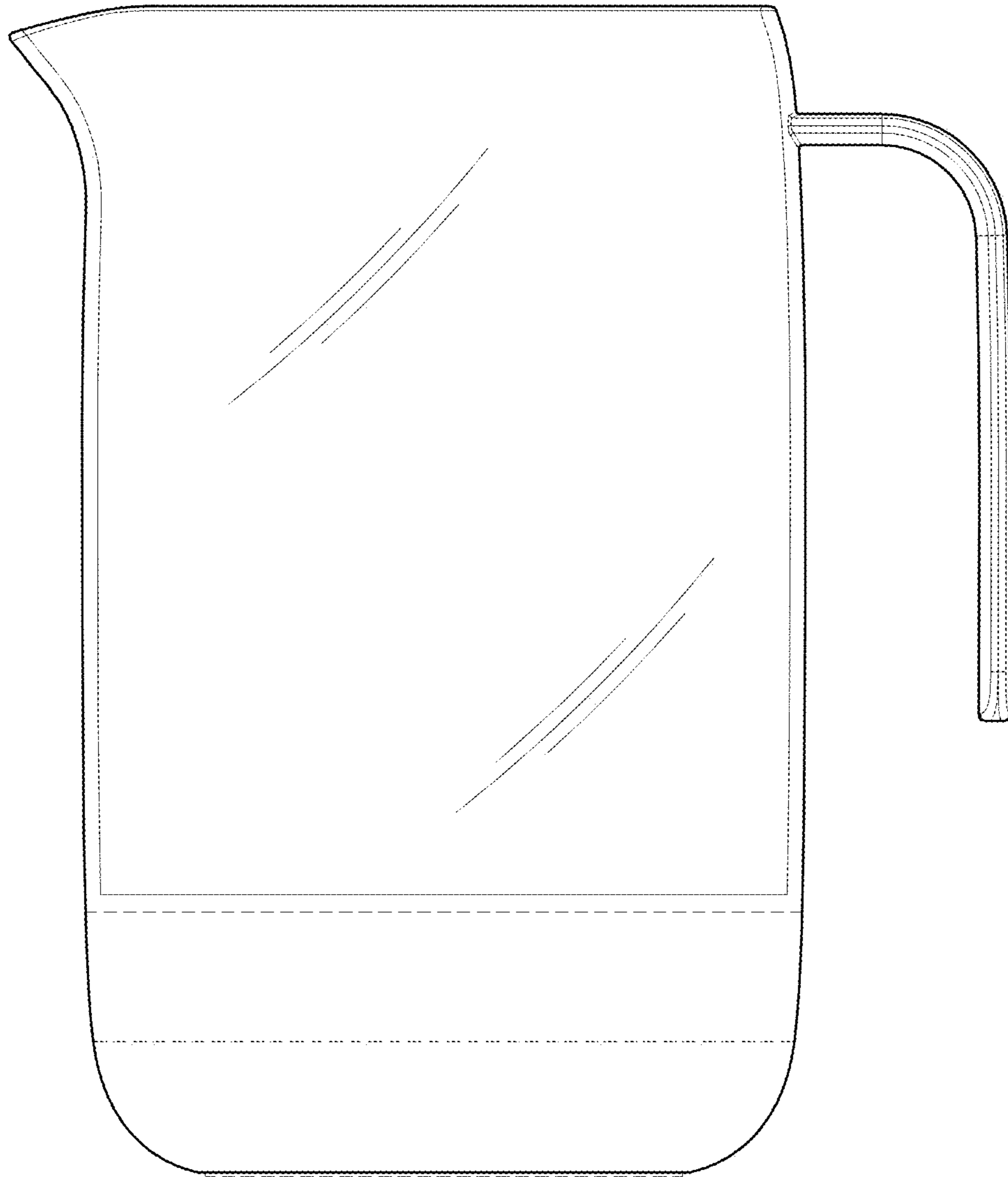


FIG. 12

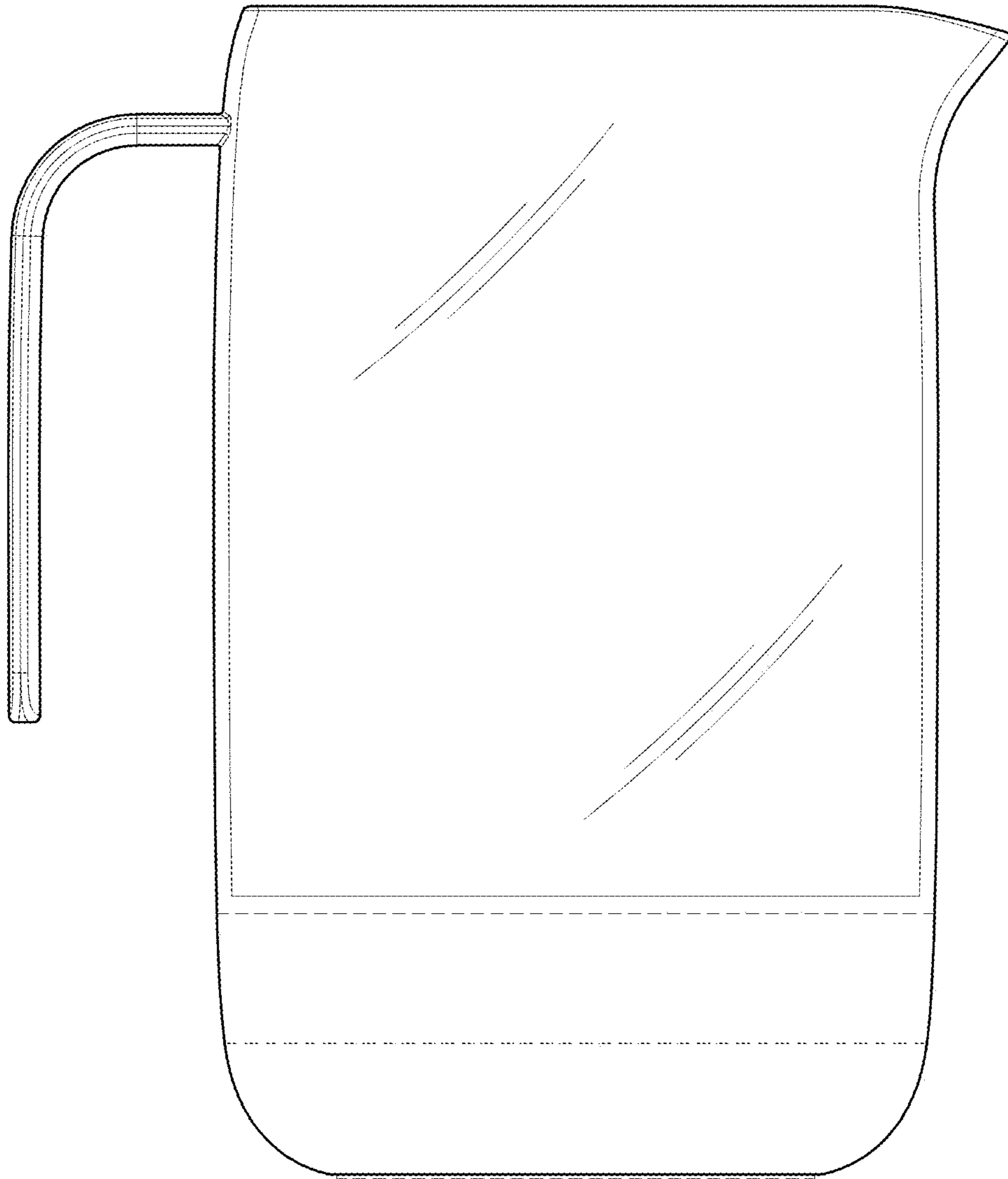


FIG. 13

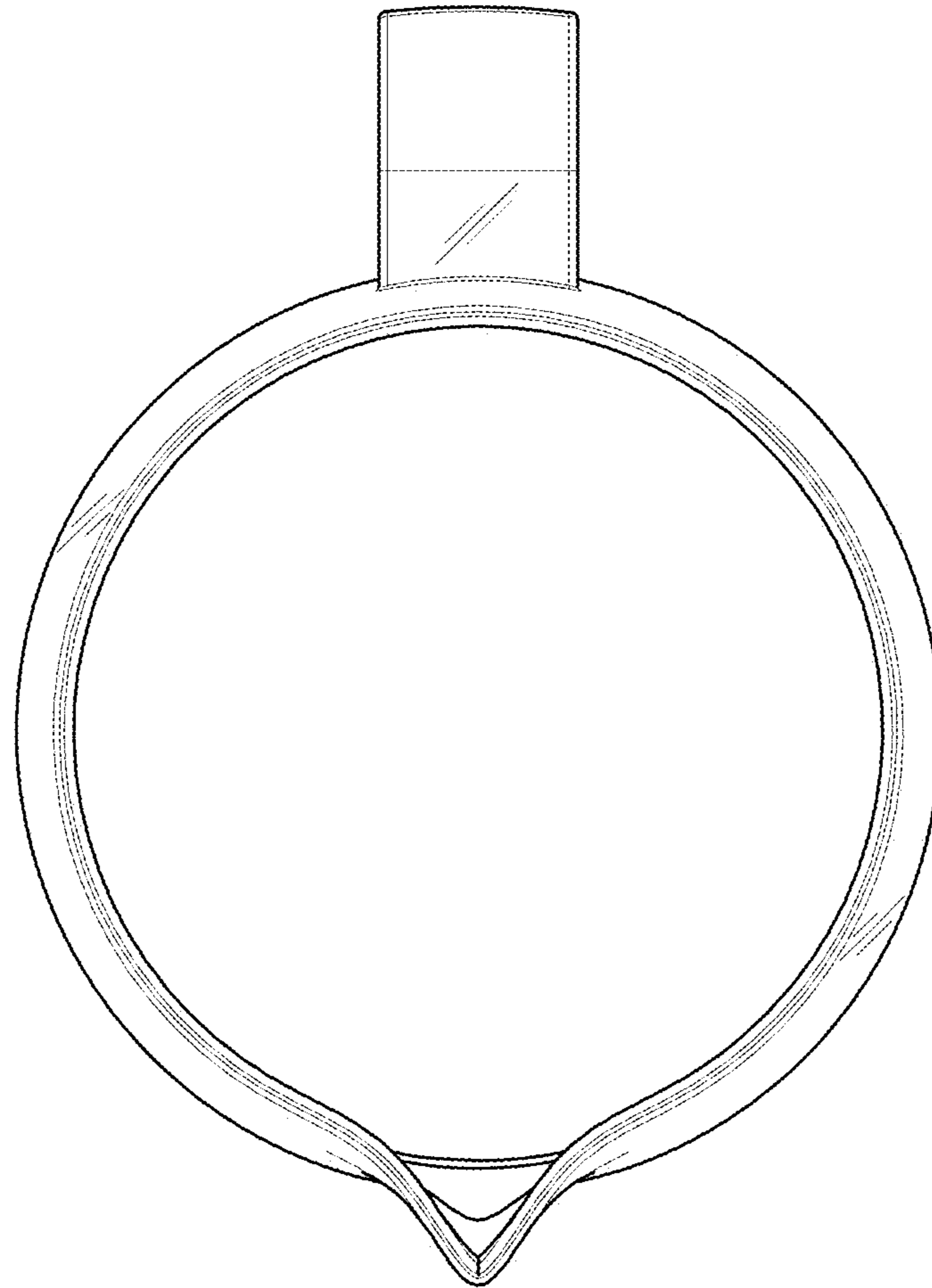


FIG. 14

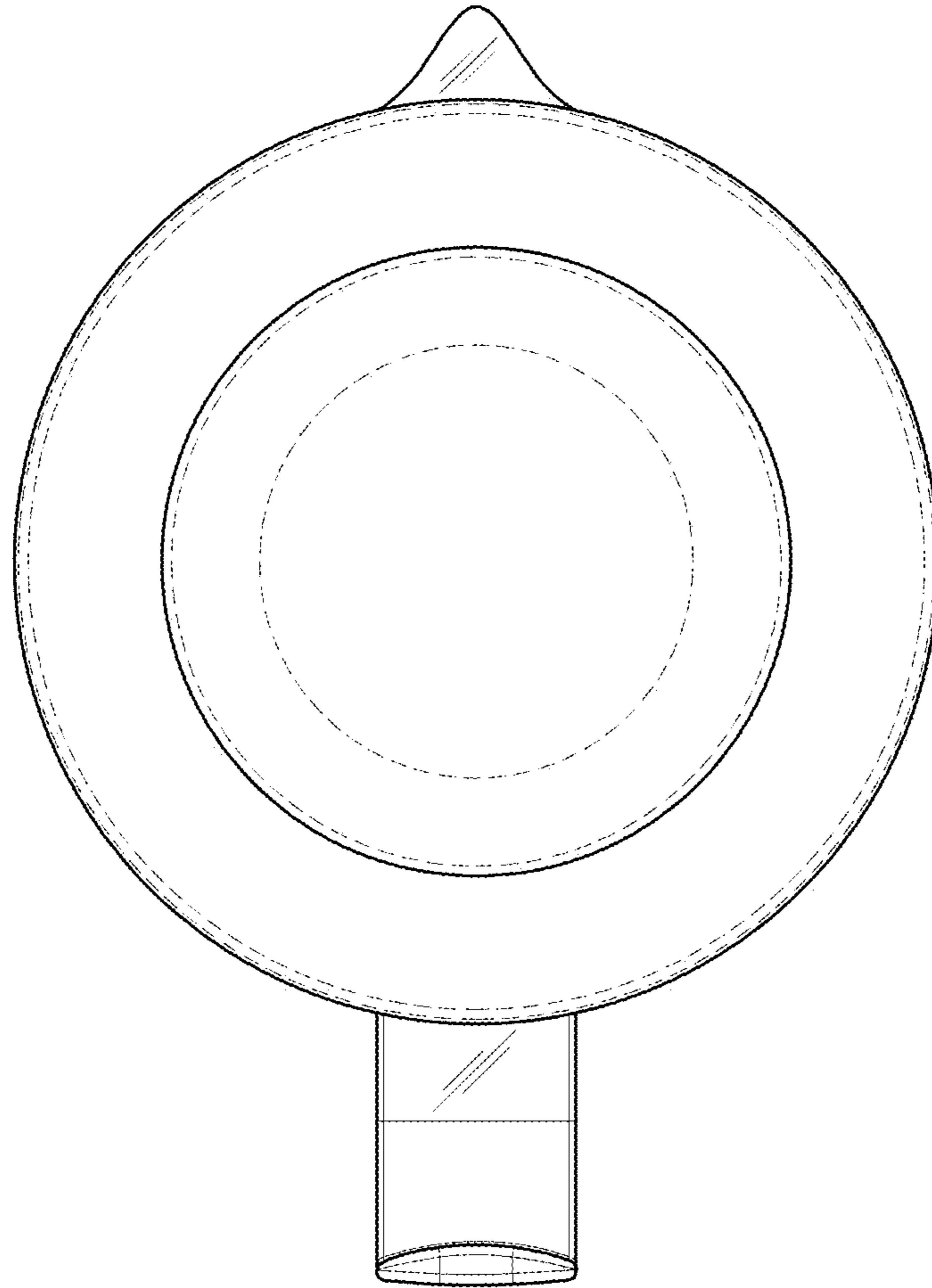


FIG. 15

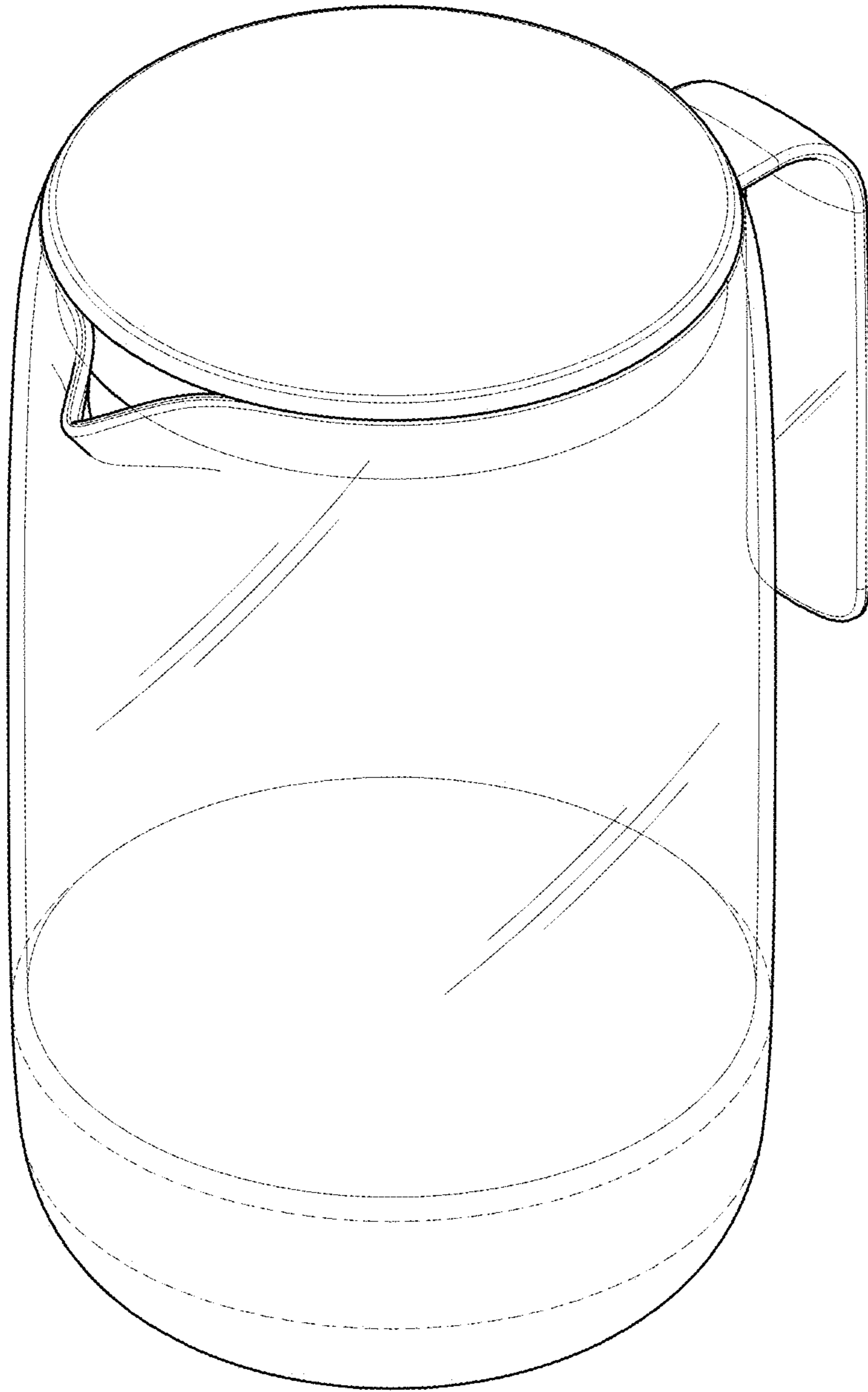


FIG. 16