



US00D874860S

(12) **United States Design Patent** (10) **Patent No.:** **US D874,860 S**
Schmitz et al. (45) **Date of Patent:** **** Feb. 11, 2020**

(54) **CHAIR**
(71) Applicant: **Herman Miller, Inc.**, Zeeland, MI (US)
(72) Inventors: **Johann Burkhard Schmitz**, Berlin (DE); **Roland Zwick**, Berlin (DE); **Carola Zwick**, Berlin (DE)
(73) Assignee: **HERMAN MILLER, INC.**, Zeeland, MI (US)
(**) Term: **15 Years**
(21) Appl. No.: **29/622,867**

D673,400 S * 1/2013 Chen D6/716.4
D675,463 S * 2/2013 Collinson et al.
D687,239 S * 8/2013 Piretti
D698,192 S * 1/2014 Giugiaro D6/366
D706,566 S * 6/2014 Giugiaro D6/716.4
D707,460 S * 6/2014 Giugiaro D6/366
D707,995 S * 7/2014 McEneaney et al.
D709,721 S * 7/2014 Giugiaro D6/716.4
D771,964 S * 11/2016 Chen
D777,494 S * 1/2017 Prestwich D6/716.4
D782,238 S * 3/2017 Jun D6/716.4
D824,711 S * 8/2018 Brooks
D844,358 S * 4/2019 Chadwick D6/716.4
D845,692 S * 4/2019 Chadwick D6/716.4
D848,169 S * 5/2019 Wu D6/366

* cited by examiner

(22) Filed: **Oct. 20, 2017**
(51) **LOC (12) Cl.** **06-01**
(52) **U.S. Cl.**
USPC **D6/716.4**
(58) **Field of Classification Search**
USPC D6/334-336, 364, 365, 366, 367, 374,
D6/375, 379, 716, 716.1, 716.2, 716.4
CPC A47C 3/12; A47C 3/18; A47C 3/20; A47C
4/06; A47C 5/04; A47C 6/06; A47C
7/004; A47C 7/40; A47C 7/46; A47C
7/16; A47C 7/54; A47C 7/282
See application file for complete search history.

Primary Examiner — Mimoso De
(74) *Attorney, Agent, or Firm* — Michael Best & Friedrich LLP

(57) **CLAIM**

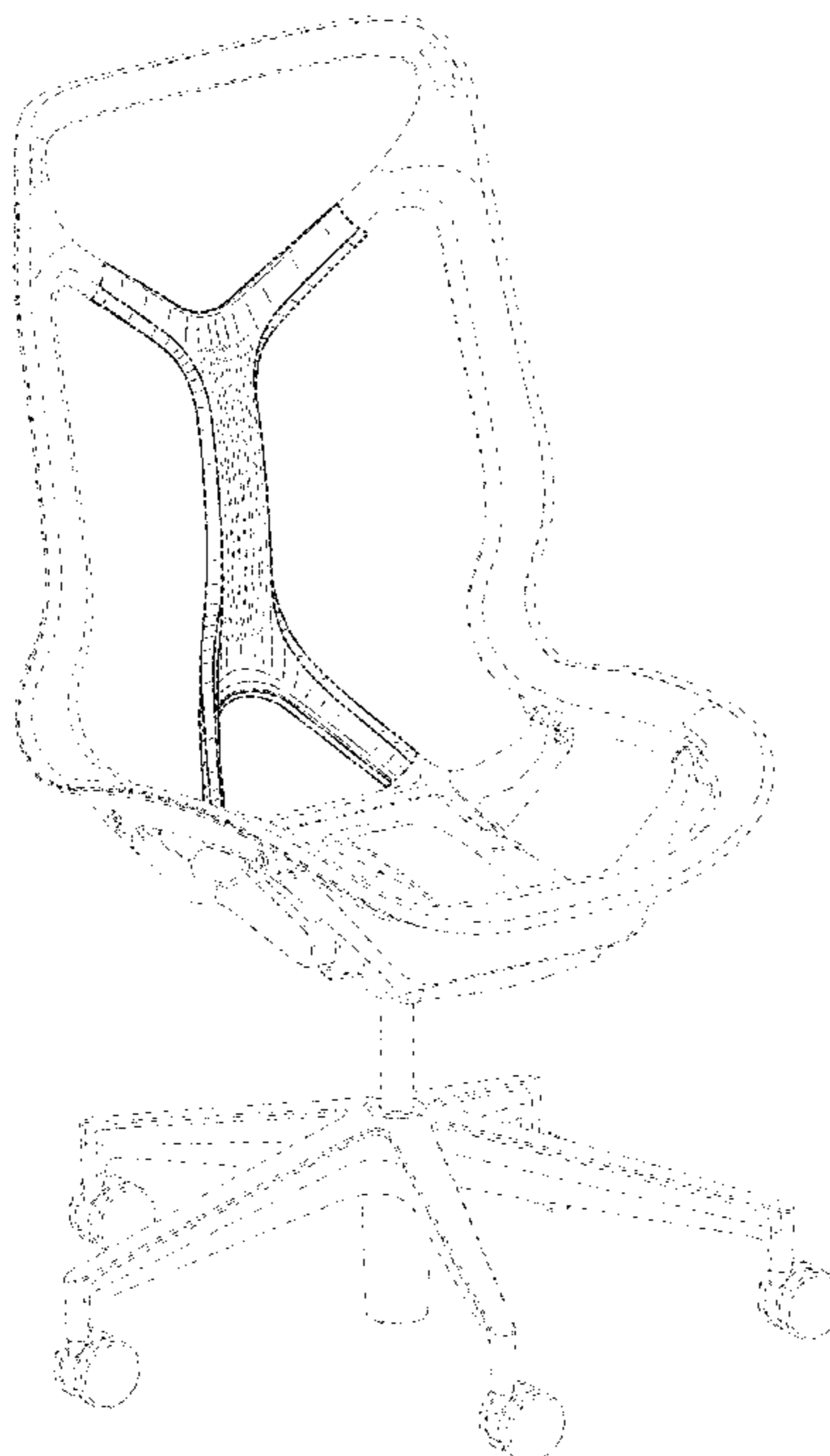
We claim the ornamental design for a chair, as shown and described.

DESCRIPTION

FIG. 1 is a perspective view of a chair according to an embodiment of the invention.
FIG. 2 is a first side view of the chair of FIG. 1.
FIG. 3 is a second side view of the chair of FIG. 1.
FIG. 4 is a front view of the chair of FIG. 1.
FIG. 5 is a rear view of the chair of FIG. 1.
FIG. 6 is a top view of the chair of FIG. 1; and,
FIG. 7 is a bottom view of the chair of FIG. 1.
Portions of the chair shown in broken lines are for illustrative purposes only and form no part of the claimed design.

(56) **References Cited**
U.S. PATENT DOCUMENTS
D541,063 S * 4/2007 Su D6/366
D558,994 S * 1/2008 Machael et al. D6/366
D613,085 S * 4/2010 Fujita D6/366
D628,831 S * 12/2010 Schmitz et al.
D645,683 S * 9/2011 Chen D6/366
D651,426 S * 1/2012 Chiaramonte et al.
D654,709 S * 2/2012 Fujita D6/366

1 Claim, 7 Drawing Sheets



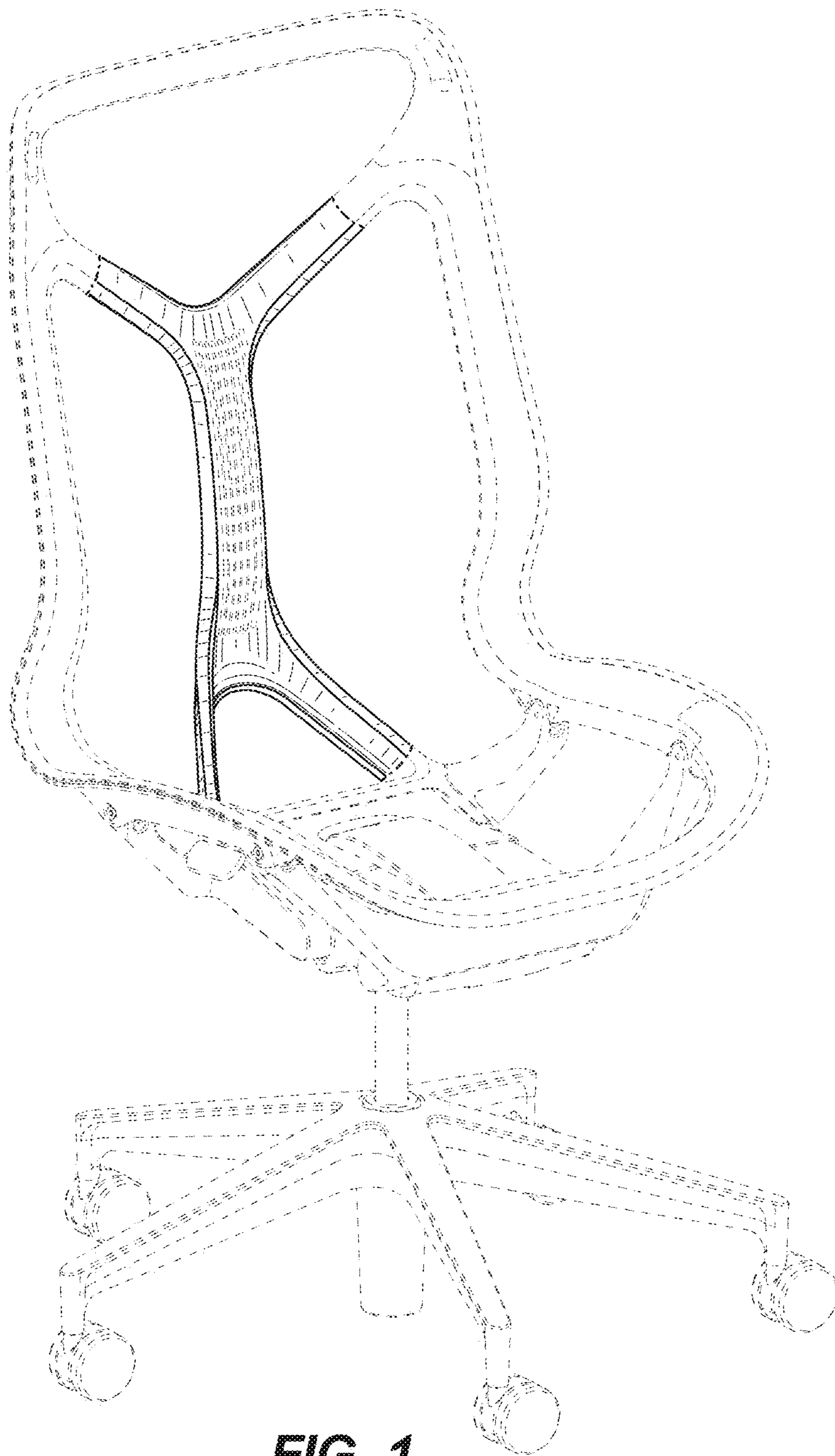


FIG. 1

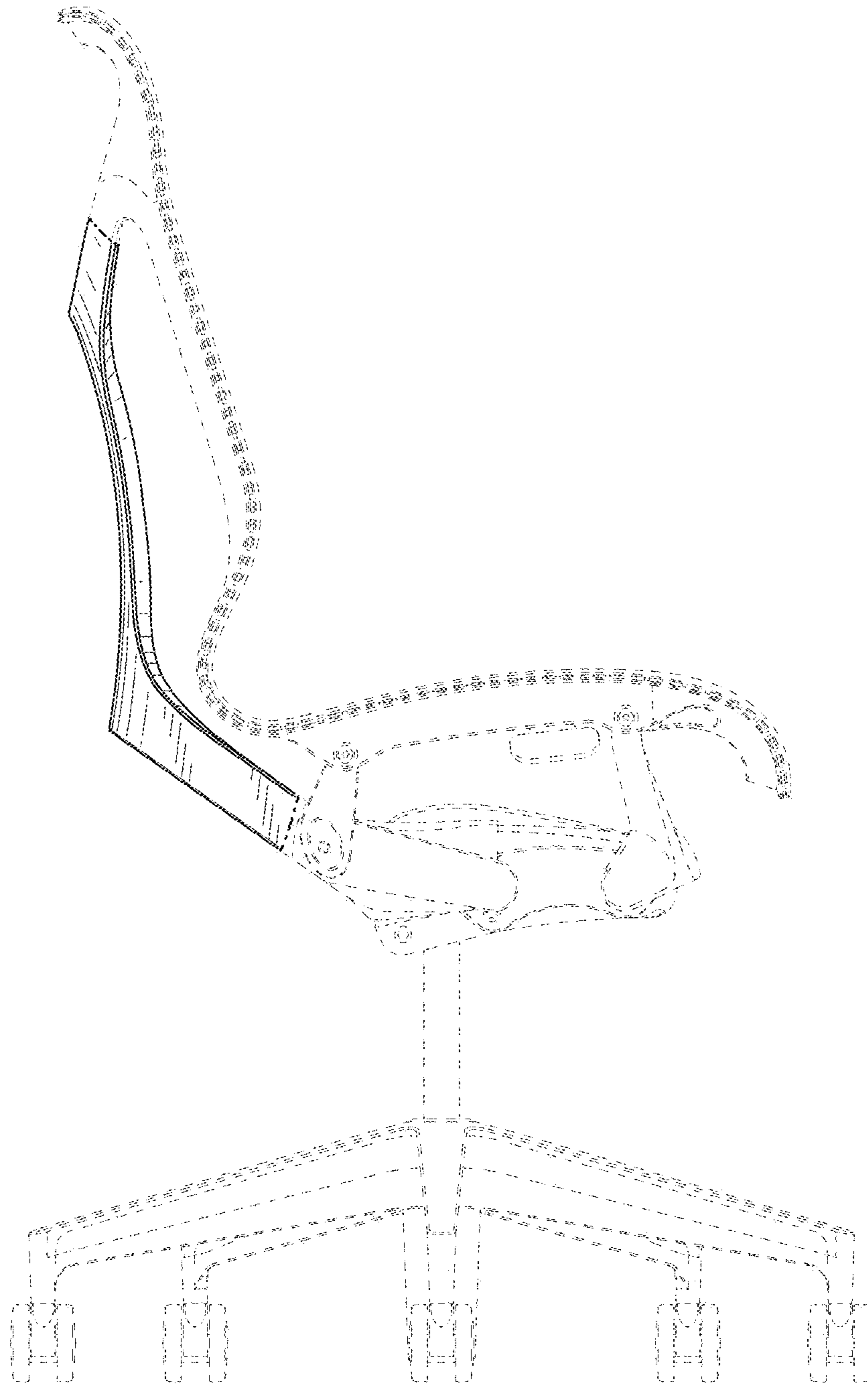


FIG. 2

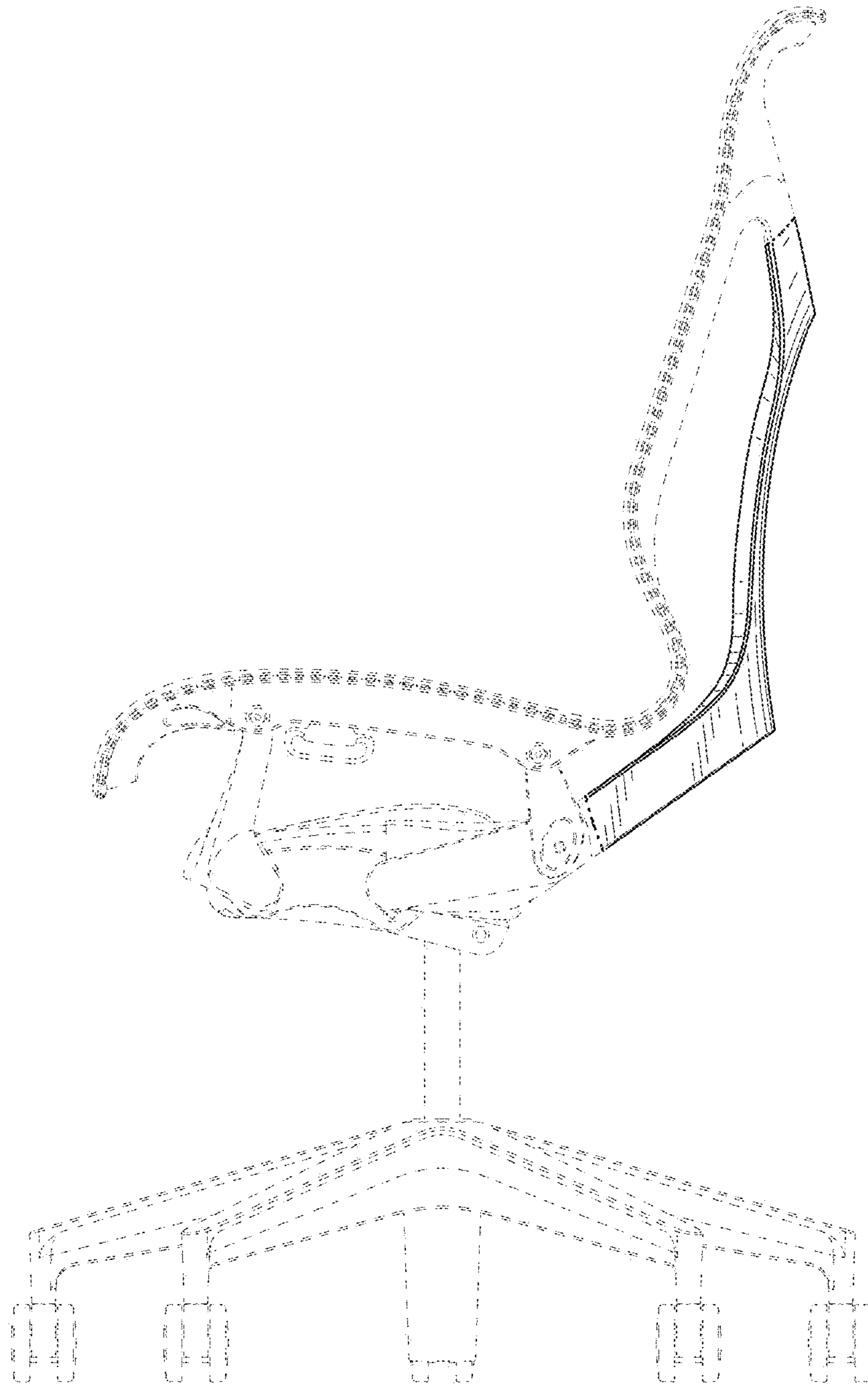


FIG. 3

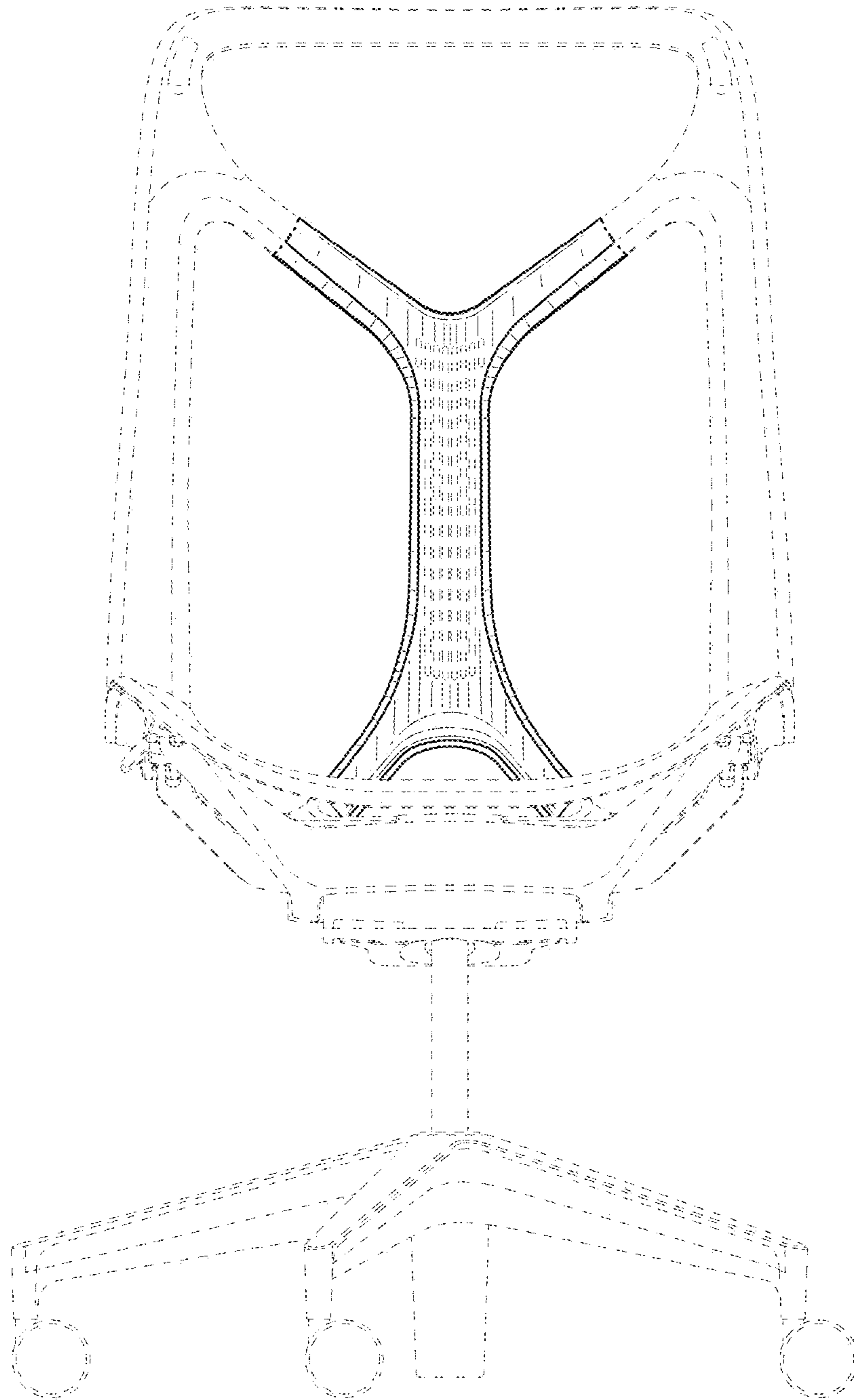


FIG. 4

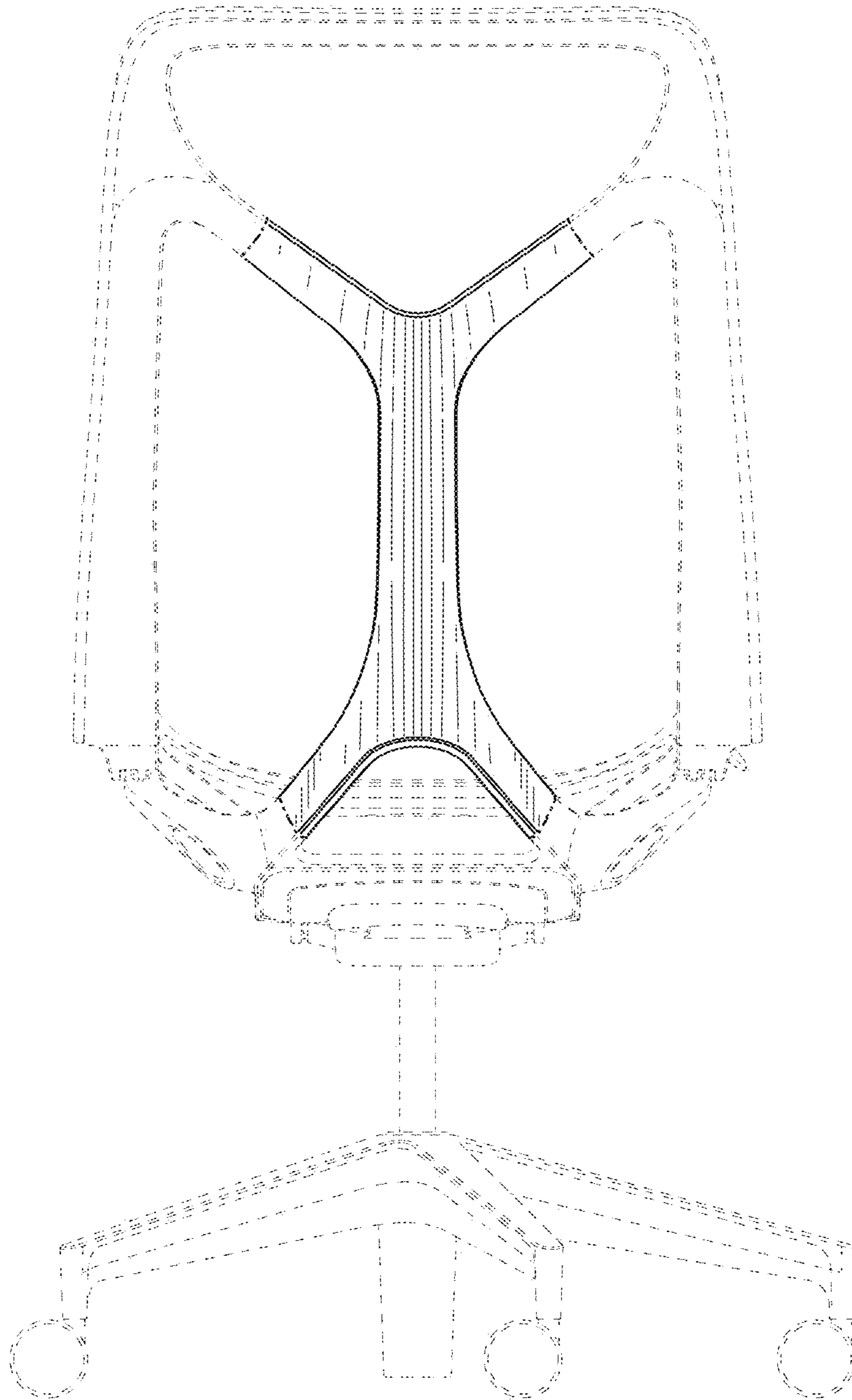


FIG. 5

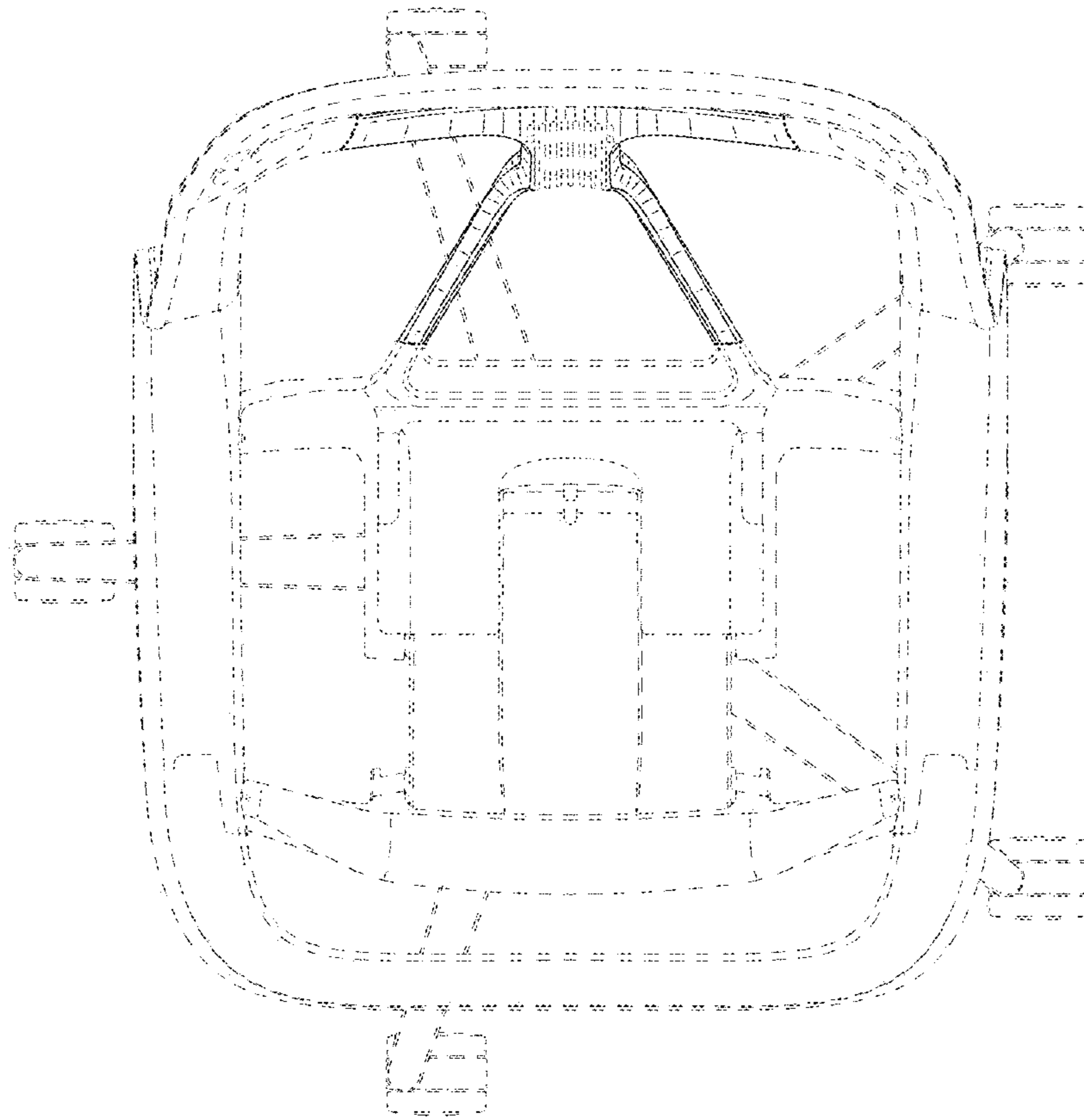


FIG. 6

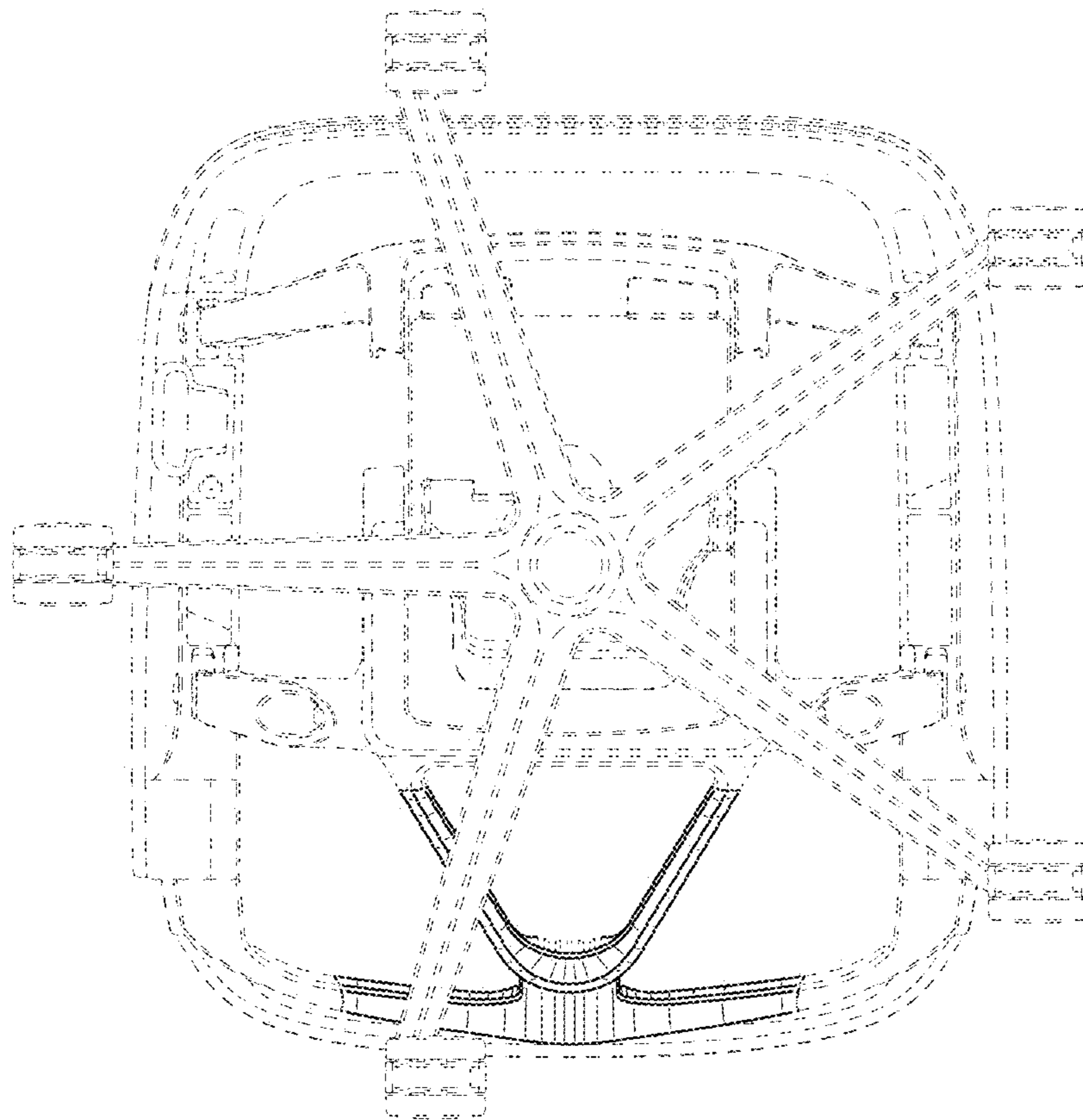


FIG. 7