



US00D874859S

(12) **United States Design Patent** (10) **Patent No.:** **US D874,859 S**
Reyes (45) **Date of Patent:** **** Feb. 11, 2020**

(54) **TABLE**
(71) Applicant: **Lakeshore Equipment Company,**
Carson, CA (US)
(72) Inventor: **Alfredo Reyes,** West Covina, CA (US)
(73) Assignee: **Lakeshore Equipment Company,**
Carson, CA (US)
(**) Term: **15 Years**

D289,577 S 4/1987 Graham
D294,318 S 2/1988 Zapf
4,848,245 A 7/1989 Pirelli
D358,078 S * 5/1995 Klein D6/692.5
D369,925 S * 5/1996 Keller A47B 13/02
D6/688.13
D395,771 S * 7/1998 Kelly D6/691.6
D449,185 S 10/2001 Solloway
D455,300 S 4/2002 Davies et al.
D481,229 S 10/2003 Weaver
D486,665 S 2/2004 Weaver
(Continued)

(21) Appl. No.: **29/676,575**
(22) Filed: **Jan. 11, 2019**
(51) **LOC (12) Cl.** **06-06**
(52) **U.S. Cl.**
USPC **D6/707.17**
(58) **Field of Classification Search**
USPC D6/349, 641, 656, 656.13, 693,
D6/693.1-693.3, 702, 707.17, 708,
D6/708.16, 708.17, 708.22, 709, 709.2,
D6/709.21
CPC .. A47B 3/00; A47B 3/12; A47B 13/00; A47B
13/003; A47B 13/02; A47B 13/021; A47B
2013/006; A47B 2013/022; A47B
2013/024; A47B 91/00; A47B 2200/0011;
A47B 2200/0015; A47B 2200/002; A47B
2200/0051; A47B 2200/0052
See application file for complete search history.

OTHER PUBLICATIONS

Flex-Space Mobile Wedge Student Desk—Lakeshore Learning <https://www.lakeshorelearning.com/products/classroom-furniture/tables-desks/flex-space-mobile-wedge-student-desk/p/LC787> retrieved from the internet on Oct. 30, 2019.*

(Continued)

Primary Examiner — Mary Ann Calabrese
(74) *Attorney, Agent, or Firm* — Banner & Witcoff, Ltd.

(57) **CLAIM**

The ornamental design for a table, as shown and described.

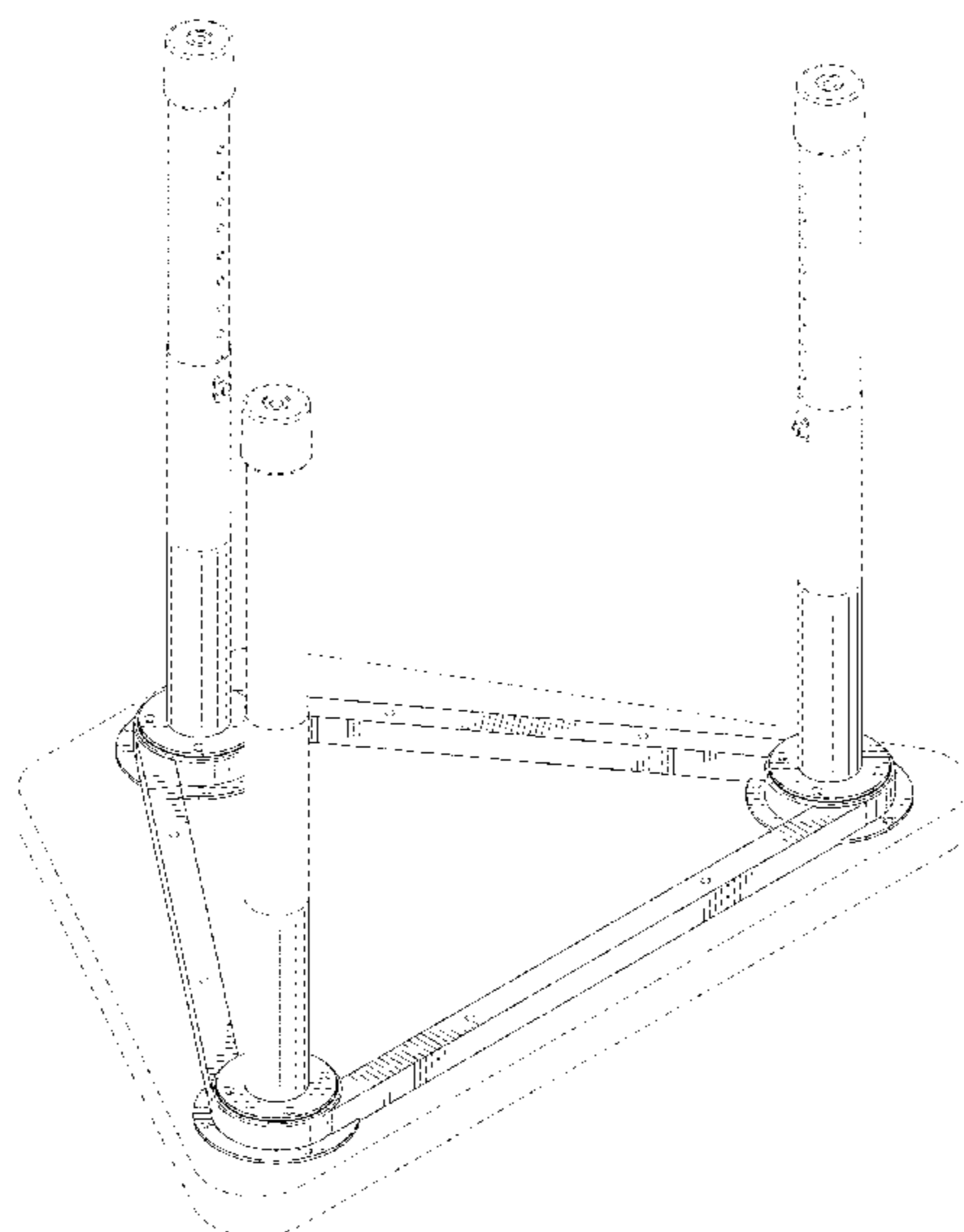
DESCRIPTION

FIG. 1 is a bottom, front, left perspective view of a table showing my new design;
FIG. 2 is a front view thereof;
FIG. 3 is a rear view thereof;
FIG. 4 is a left side view thereof;
FIG. 5 is a right side view thereof; and,
FIG. 6 is a bottom view thereof.

The broken lines showing the circular unshaded regions within the shaded area represent screw holes that form no part of the claimed design. The broken lines depicting the remainder of the table show features that form no part of the claimed design.

1 Claim, 6 Drawing Sheets

(56) **References Cited**
U.S. PATENT DOCUMENTS
D164,075 S 7/1951 Wallace
3,322,384 A 5/1967 Rodwell
D218,903 S 10/1970 Chichester
4,011,821 A 3/1977 Neal
4,039,133 A 8/1977 Streicher
D262,931 S * 2/1982 Levan D7/505
D263,192 S 3/1982 LeVan
D266,127 S 9/1982 Chapin
D271,551 S 11/1983 Rausch



(56)

References Cited

U.S. PATENT DOCUMENTS

D493,983 S	8/2004	Di Guglielmo et al.	
D586,158 S	2/2009	Thomkins	
D668,084 S	10/2012	Lehman-Smith	
D681,370 S	5/2013	Hagberg et al.	
D788,503 S	6/2017	Duvigneau	
D805,259 S *	12/2017	King	D30/106
D851,972 S *	6/2019	Reyes	D6/707.17
D855,363 S *	8/2019	Grossinger	D6/691
2003/0167982 A1 *	9/2003	Yang	A47B 13/02 108/155

OTHER PUBLICATIONS

U.S. Appl. No. 29/676,569, filed Jan. 11, 2019, by Alfredo Reyes.
U.S. Appl. No. 29/676,581, filed Jan. 11, 2019, by Alfredo Reyes.
“Gerton”; IKEA; Retrieved: Jan. 23, 2019; URL: https://www.ikea.com/us/en/assembly_instructions/gerton-leg-adjustable_AA-940607-4_pub.pdf.

* cited by examiner

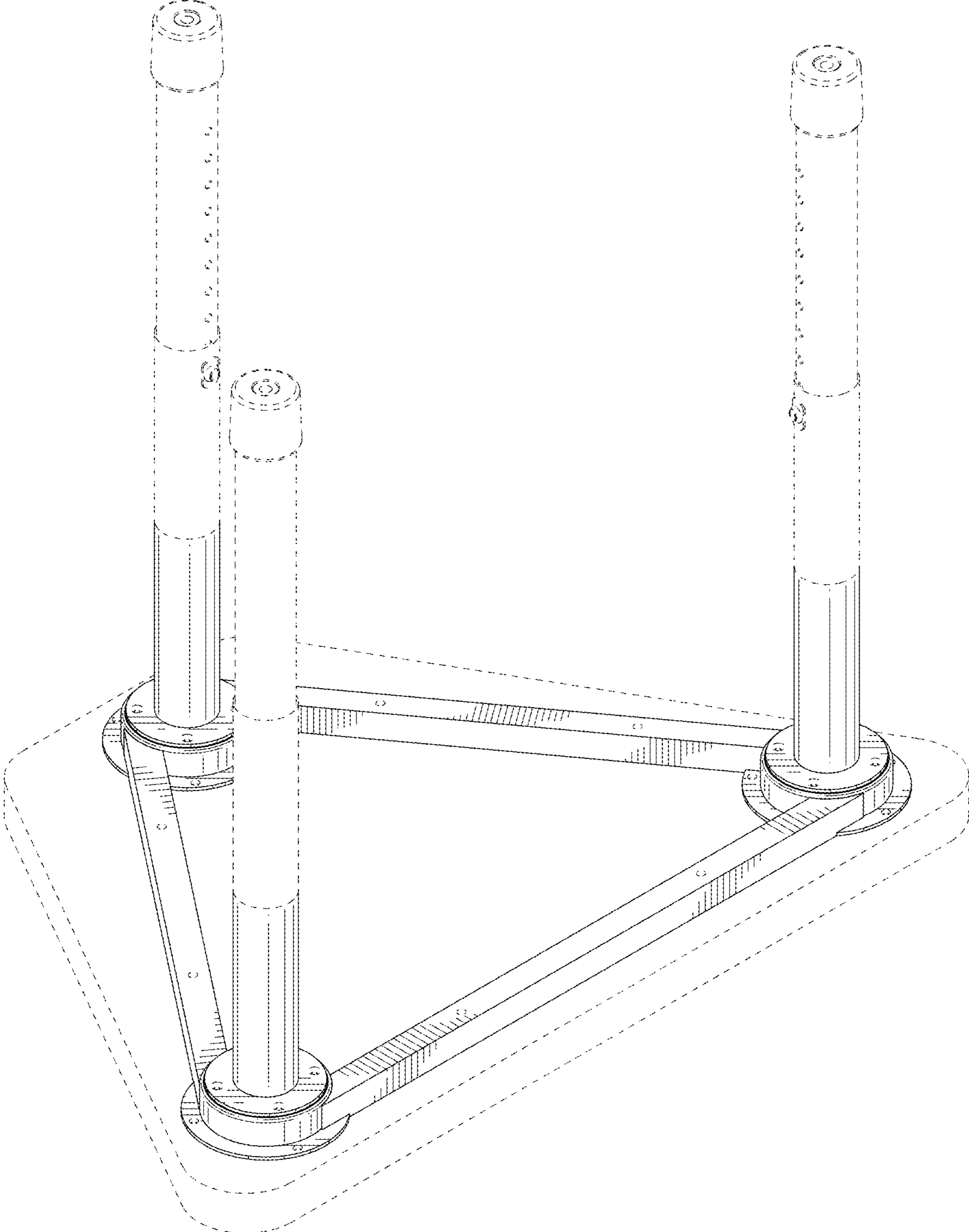


FIG. 1

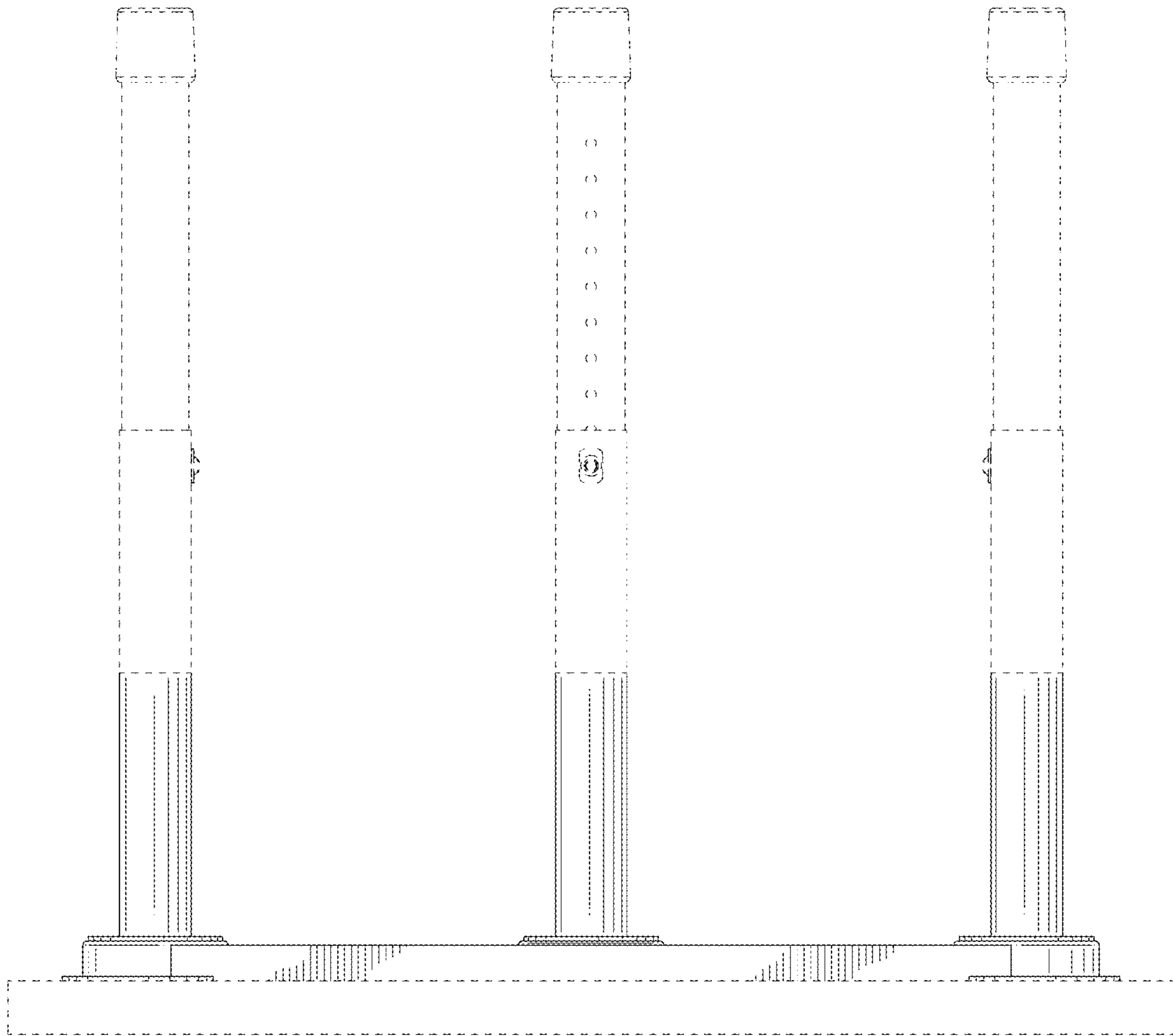


FIG. 2

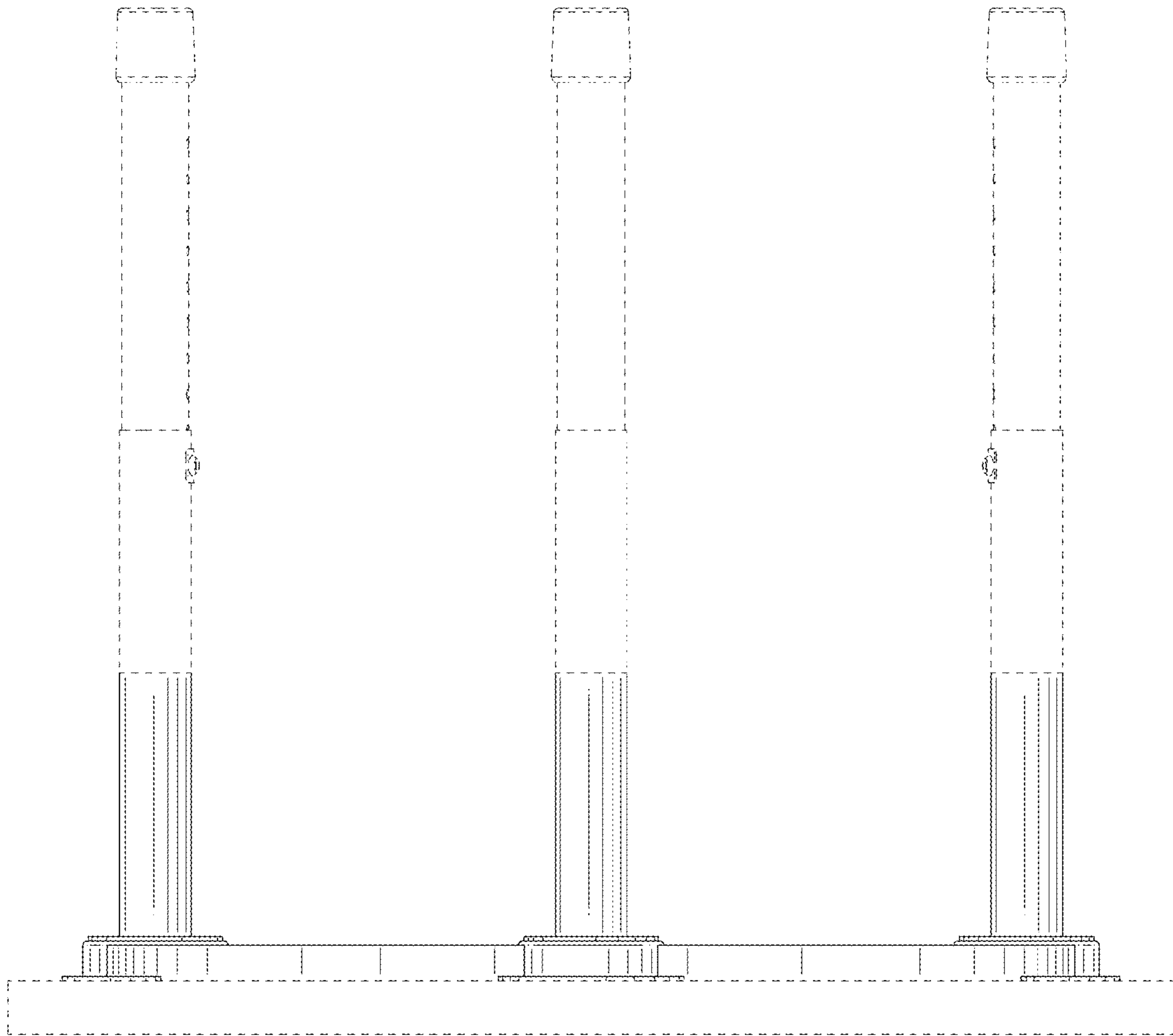


FIG. 3

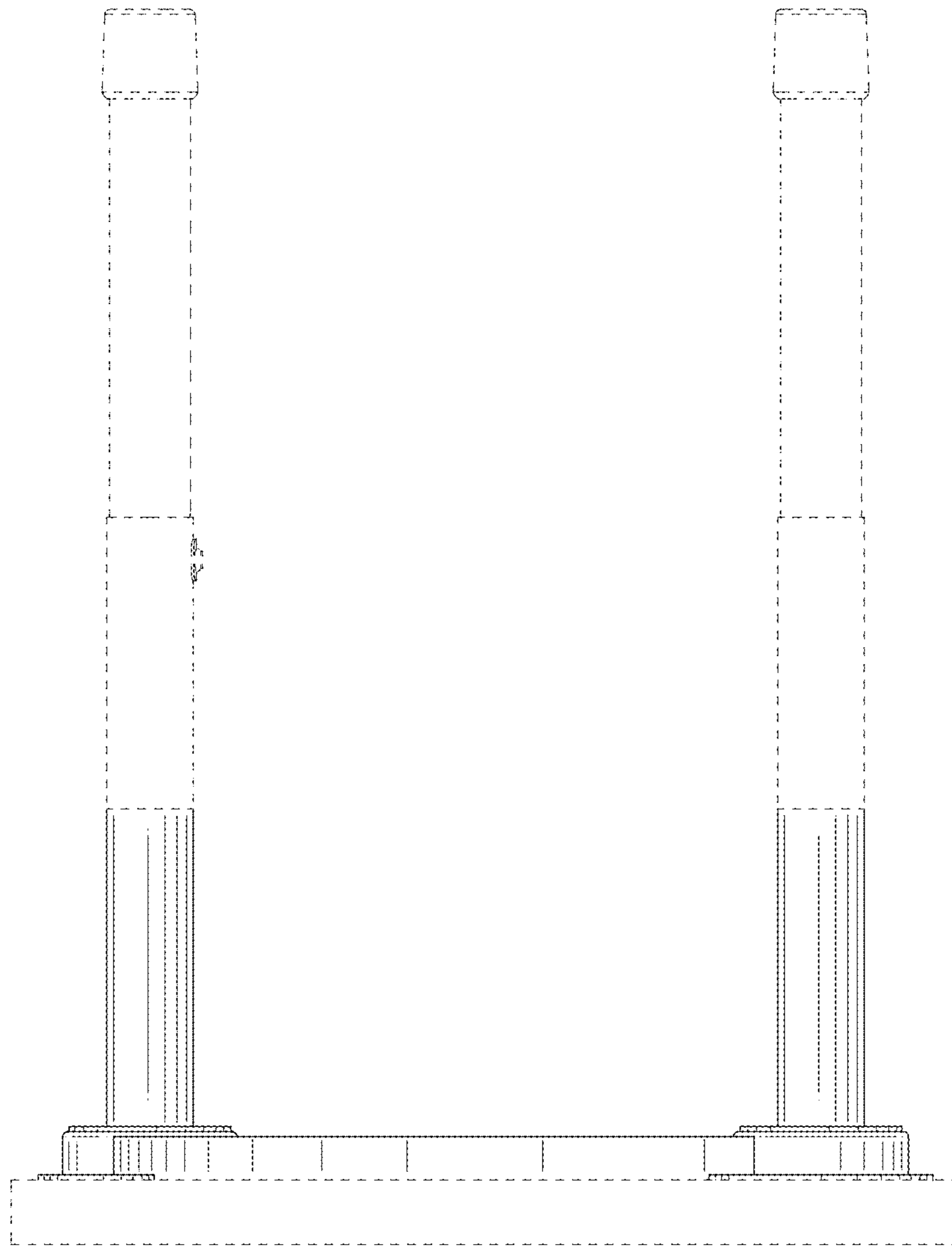


FIG. 4

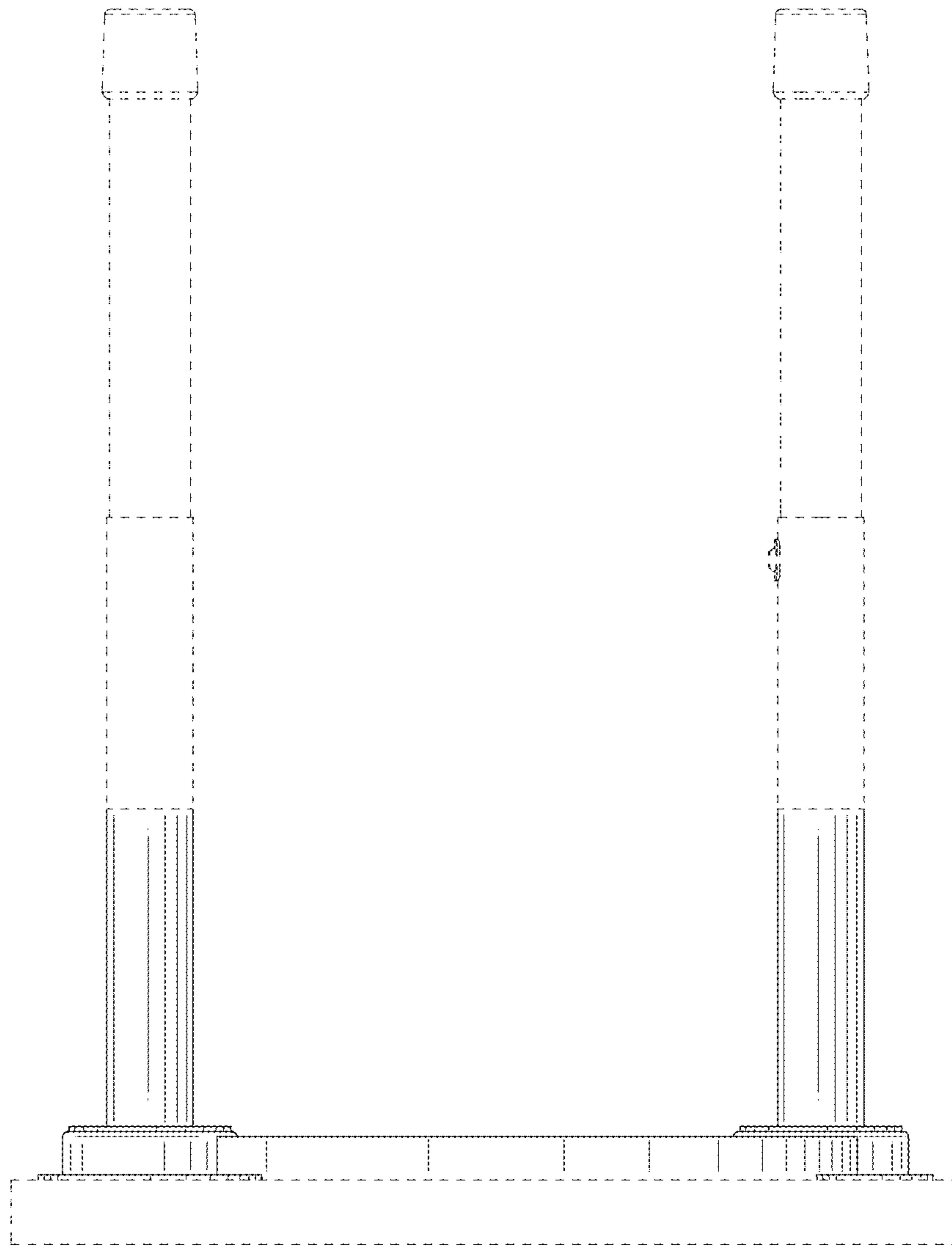


FIG. 5

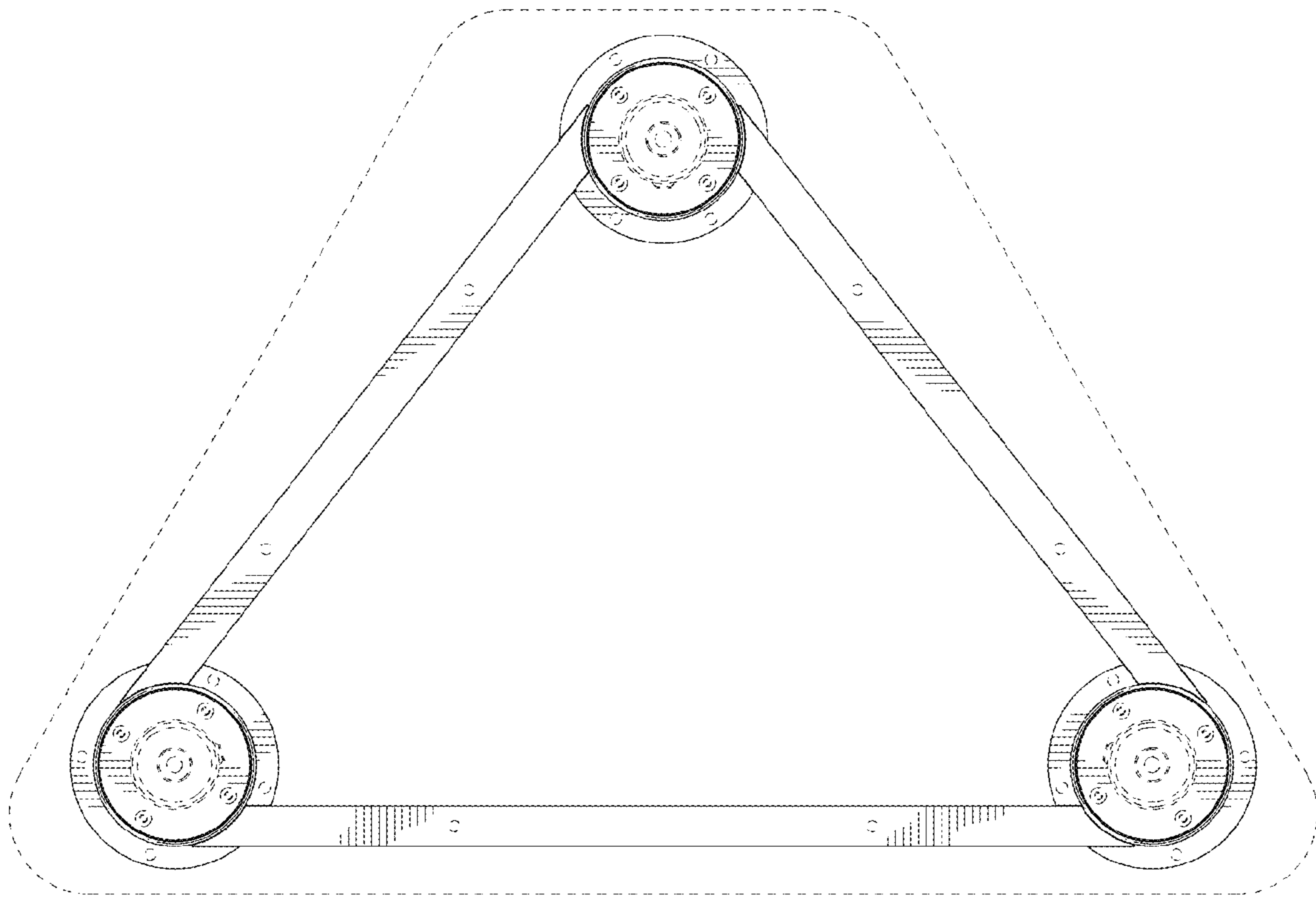


FIG. 6