



US00D874858S

(12) **United States Design Patent**
Lin

(10) **Patent No.:** **US D874,858 S**
(45) **Date of Patent:** **** Feb. 11, 2020**

(54) **BLOW-MOLDED RIB STRUCTURE FOR A TABLE**

(71) Applicant: **Dongguan Shichang Metals Factory Ltd., DongGuan (CN)**

(72) Inventor: **Chen-Kang Lin, Kaohsiung (TW)**

(73) Assignee: **Dongguan Shichang Metals Factory Ltd., Dongguan (CN)**

(**) Term: **15 Years**

(21) Appl. No.: **29/646,670**

(22) Filed: **May 7, 2018**

(51) **LOC (12) Cl.** **06-06**

(52) **U.S. Cl.**
USPC **D6/707.17**

(58) **Field of Classification Search**
USPC D6/692, 692.1-692.6, 702, 703, 707, D6/707.17, 707.2, 708, 718.26
CPC A47B 3/087; A47B 3/091; A47B 3/0915; A47B 7/00; A47B 13/00; A47B 13/003; A47B 13/02; A47B 13/04; A47B 13/06; A47B 21/00; A47B 2200/0001; A47B 2200/0011; A47B 2200/0012; B60R 13/04

See application file for complete search history.

(56) **References Cited**

U.S. PATENT DOCUMENTS

D372,150 S * 7/1996 Funk D6/708
D372,152 S * 7/1996 Levine D6/708
6,651,568 B1 * 11/2003 Buono A47B 3/0915
108/127
D517,354 S * 3/2006 Strong D6/707.17
D566,434 S * 4/2008 Puksta D6/708

7,533,619 B2 * 5/2009 Stanford A47B 3/091
108/129
D595,073 S * 6/2009 Houry A47B 3/08
D6/390
8,438,982 B2 5/2013 Stanford
9,504,314 B2 * 11/2016 Leng A47B 3/0916
D778,091 S * 2/2017 Koyen A47B 3/0916
D6/707.17
2004/0255829 A1 12/2004 Cizmar et al.
2013/0180438 A1 * 7/2013 Nye A47B 3/08
108/91

FOREIGN PATENT DOCUMENTS

EP 2063015 B1 12/2012

* cited by examiner

Primary Examiner — Mary Ann Calabrese

(74) *Attorney, Agent, or Firm* — Luedeka Neely Group, P.C.

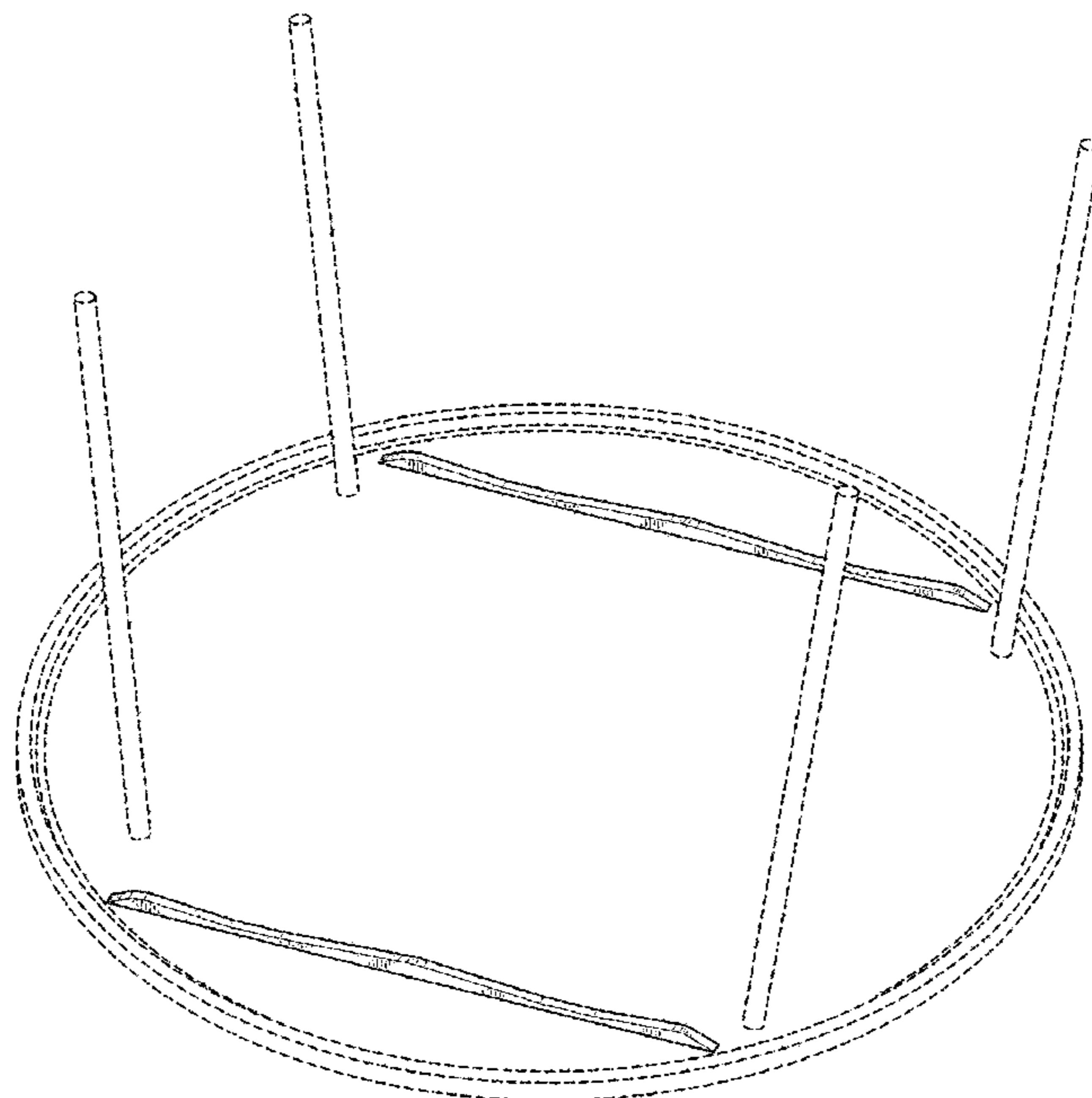
(57) **CLAIM**

The ornamental design for a blow-molded rib structure for a table, as shown and described.

DESCRIPTION

FIG. 1 is a perspective view of a blow-molded rib structure for a table according to my new design;
FIG. 2 is a perspective view of a lower component of the blow-molded rib structure of FIG. 1, viewed from the same direction as FIG. 1 and enlarged for clarity of illustration; and,
FIG. 3 is a perspective view of the lower component of the blow-molded rib structure of FIG. 1, viewed from a different direction and enlarged for clarity of illustration.
The broken lines showing a table illustrate environment and form no part of the claimed design.

1 Claim, 3 Drawing Sheets



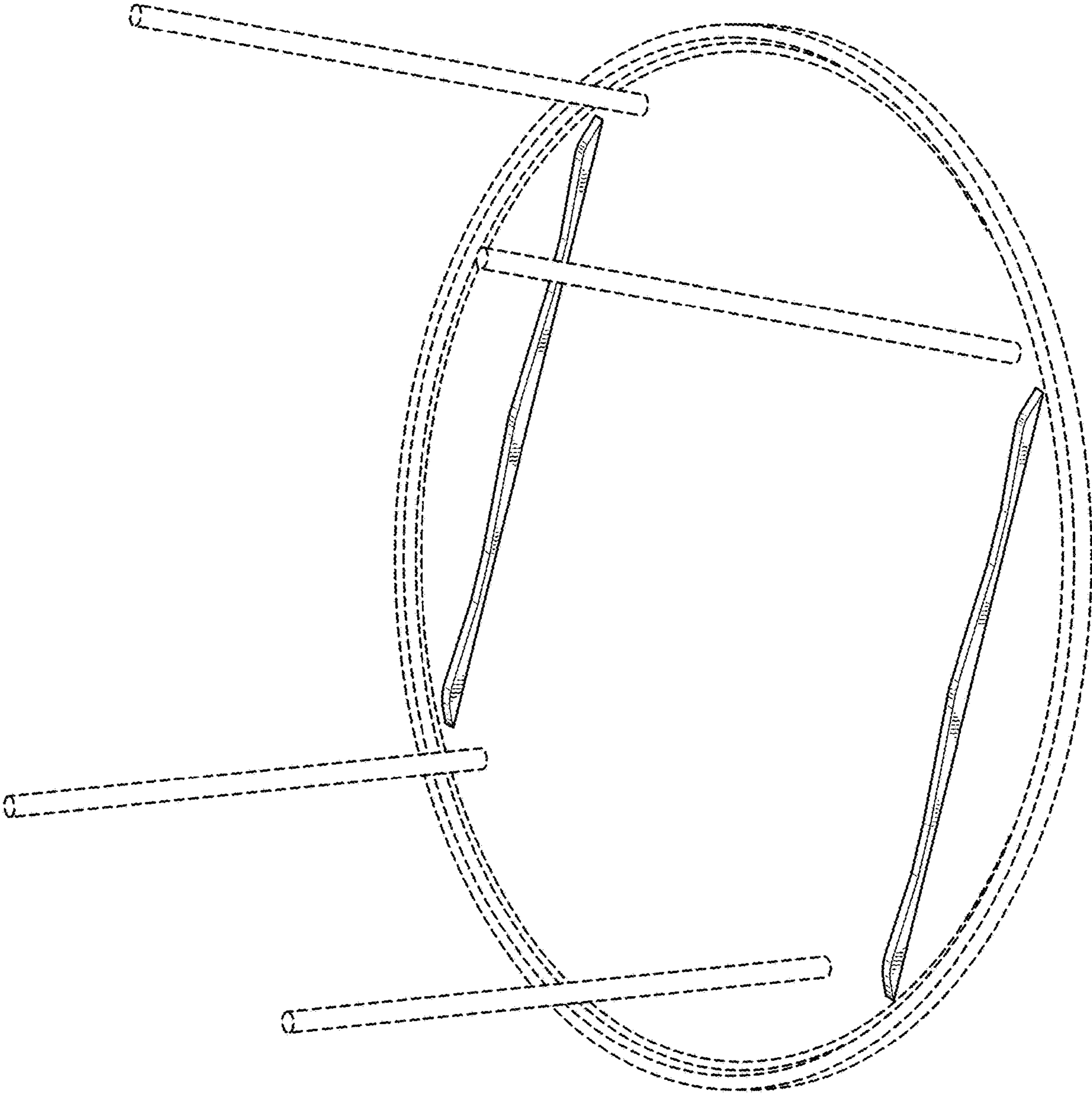


FIG. 1

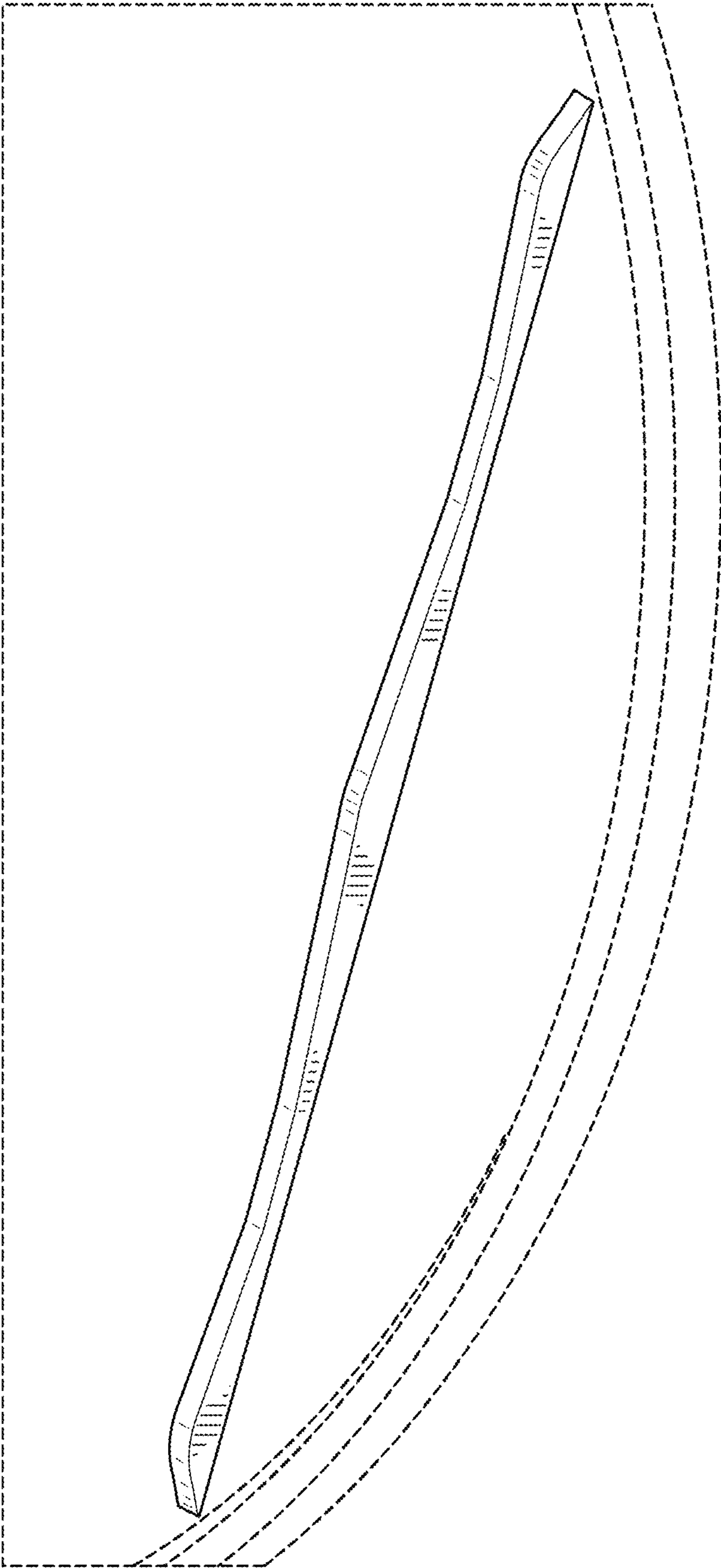


FIG. 2

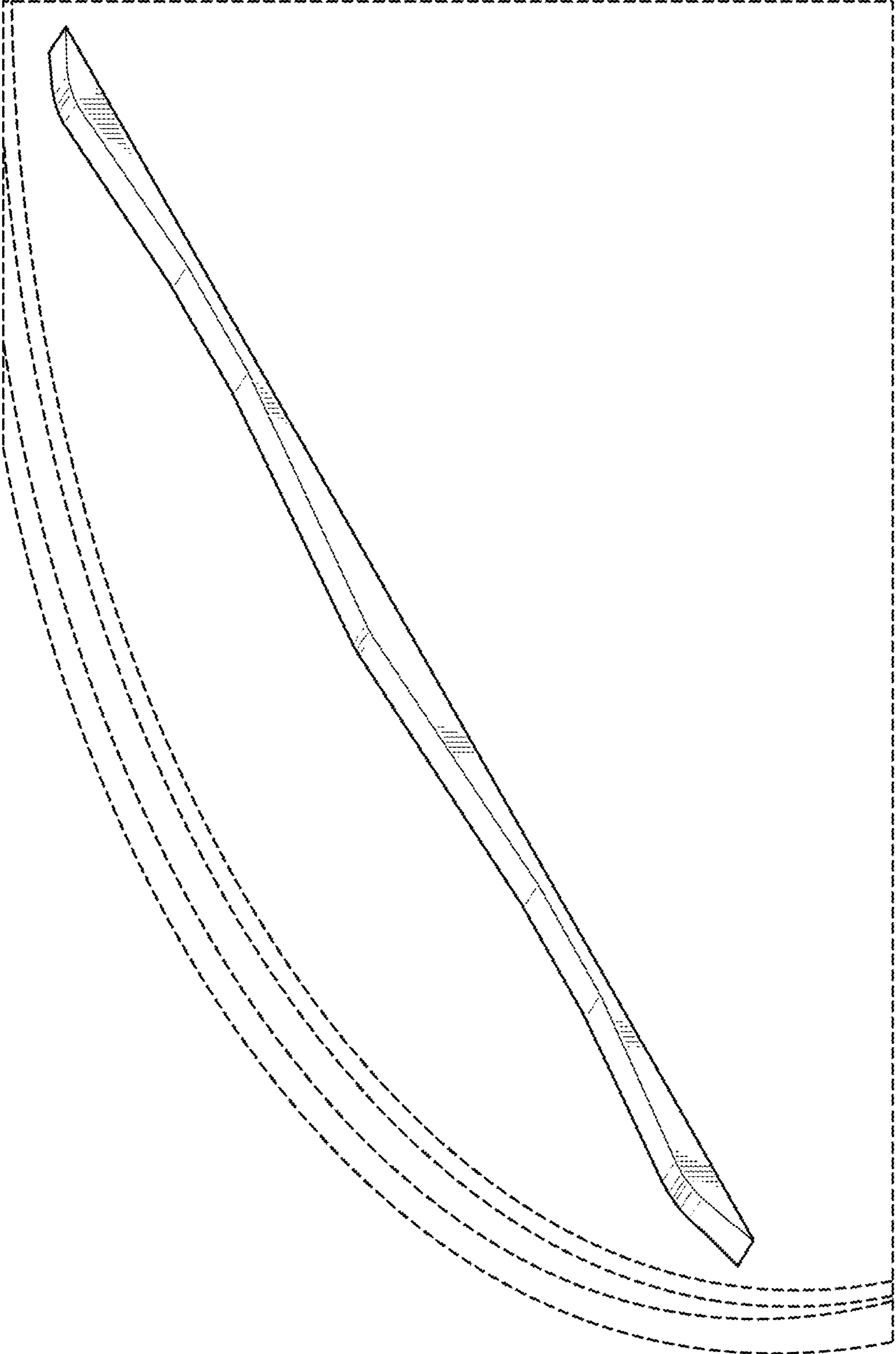


FIG. 3