



US00D874849S

(12) **United States Design Patent**
Albanese

(10) **Patent No.:** **US D874,849 S**

(45) **Date of Patent:** **** Feb. 11, 2020**

(54) **PET ORGANIZER**

(71) Applicant: **Alison Albanese**, Yorktown Heights,
NY (US)

(72) Inventor: **Alison Albanese**, Yorktown Heights,
NY (US)

(**) Term: **15 Years**

(21) Appl. No.: **29/663,773**

(22) Filed: **Sep. 19, 2018**

(51) **LOC (12) Cl.** **06-06**

(52) **U.S. Cl.**
USPC **D6/566**

(58) **Field of Classification Search**

USPC D6/566, 512-513, 525, 540, 570, 678.4;
D19/90; 211/13.1, 70.6, 71.1, 75, 86.01,
211/88.01, 90.01, 90.03, 106, 119, 126.1,
211/133.5, 134, 181.1

CPC A47K 17/00; A47K 3/281; A47K 3/001;
B23P 17/04; A47B 57/265; A47B 57/565;
A47B 57/26

See application file for complete search history.

(56) **References Cited**

U.S. PATENT DOCUMENTS

D365,954 S * 1/1996 Milroy D6/566
D437,354 S * 2/2001 Andujar D19/75

D446,670 S * 8/2001 Emery D6/525
D452,533 S * 12/2001 Goodman D19/90
D564,271 S * 3/2008 Snider A47K 3/281
D6/525
D753,939 S * 4/2016 Tsai D6/678.4
D769,023 S * 10/2016 Tsai D6/566

* cited by examiner

Primary Examiner — Wan Laymon

Assistant Examiner — Mark Booker

(74) *Attorney, Agent, or Firm* — Michael A. Blake

(57) **CLAIM**

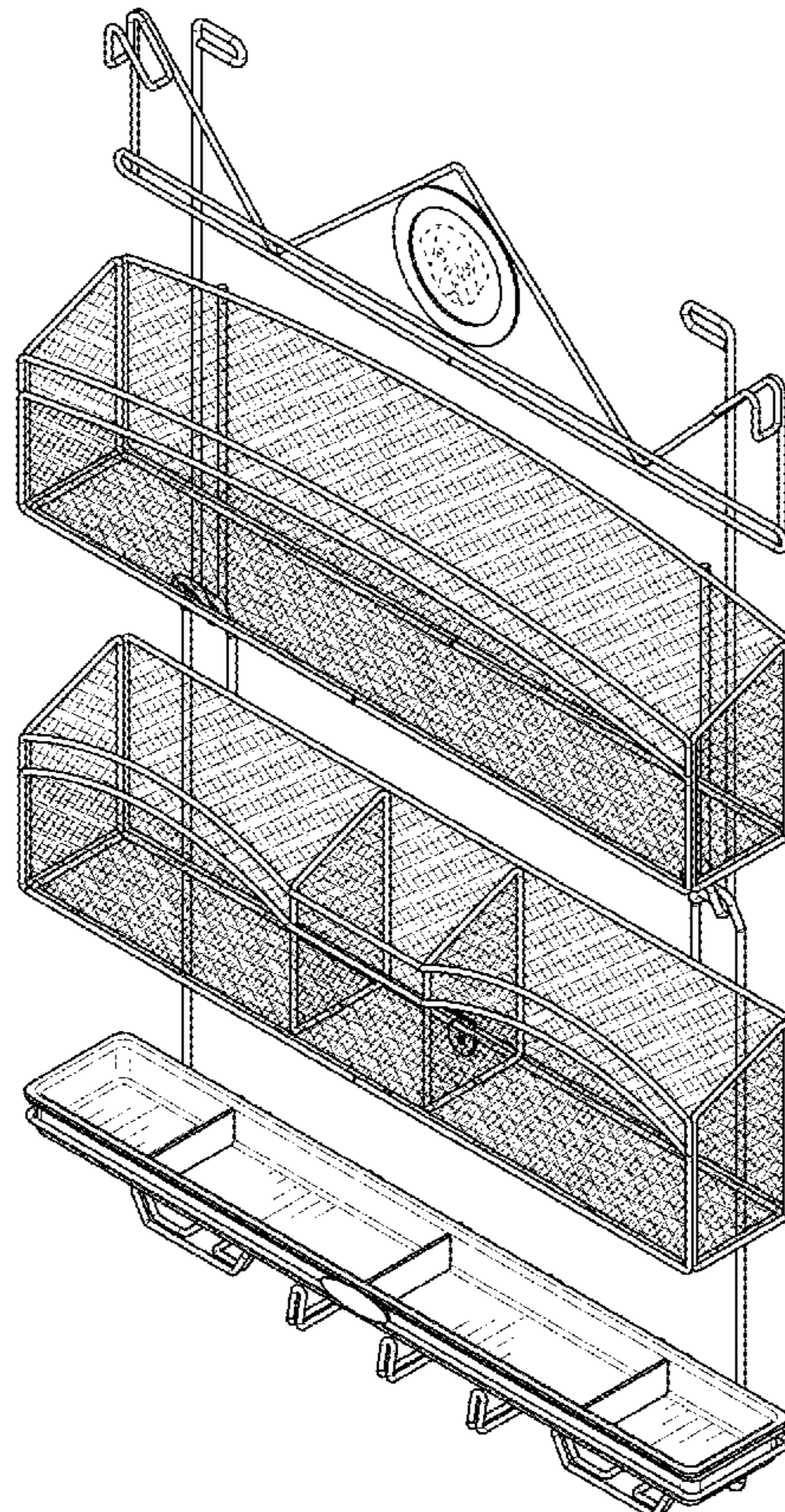
The ornamental design for a pet organizer, as shown and described.

DESCRIPTION

FIG. 1 is a perspective view of a pet organizer;
FIG. 2 is a front view of the pet organizer;
FIG. 3 is a rear view of the pet organizer;
FIG. 4 is a top view of the pet organizer;
FIG. 5 is a bottom view of the pet organizer;
FIG. 6 is a first side view of the pet organizer;
FIG. 7 is a second side view of the pet organizer;
FIG. 8 is a perspective view of the pet organizer in a door
hook mount embodiment; and,
FIG. 9 is a perspective view of the pet organizer in a wall
mount embodiment.

The broken lines in FIGS. 1-2, 8-9 representing a photo-
graph of a pet, show the design as being used, and form no
part of the claimed design.

1 Claim, 7 Drawing Sheets



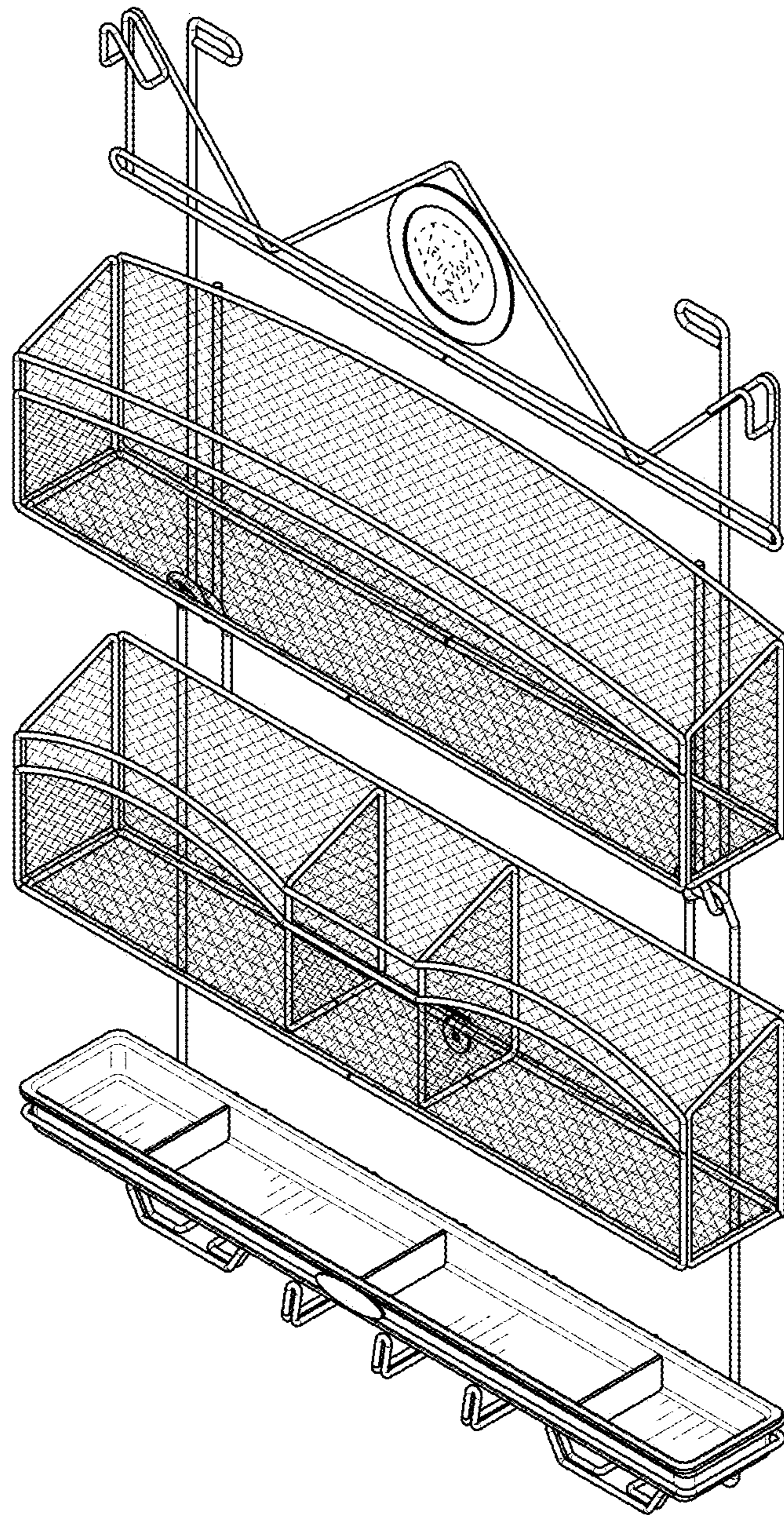


FIG. 1

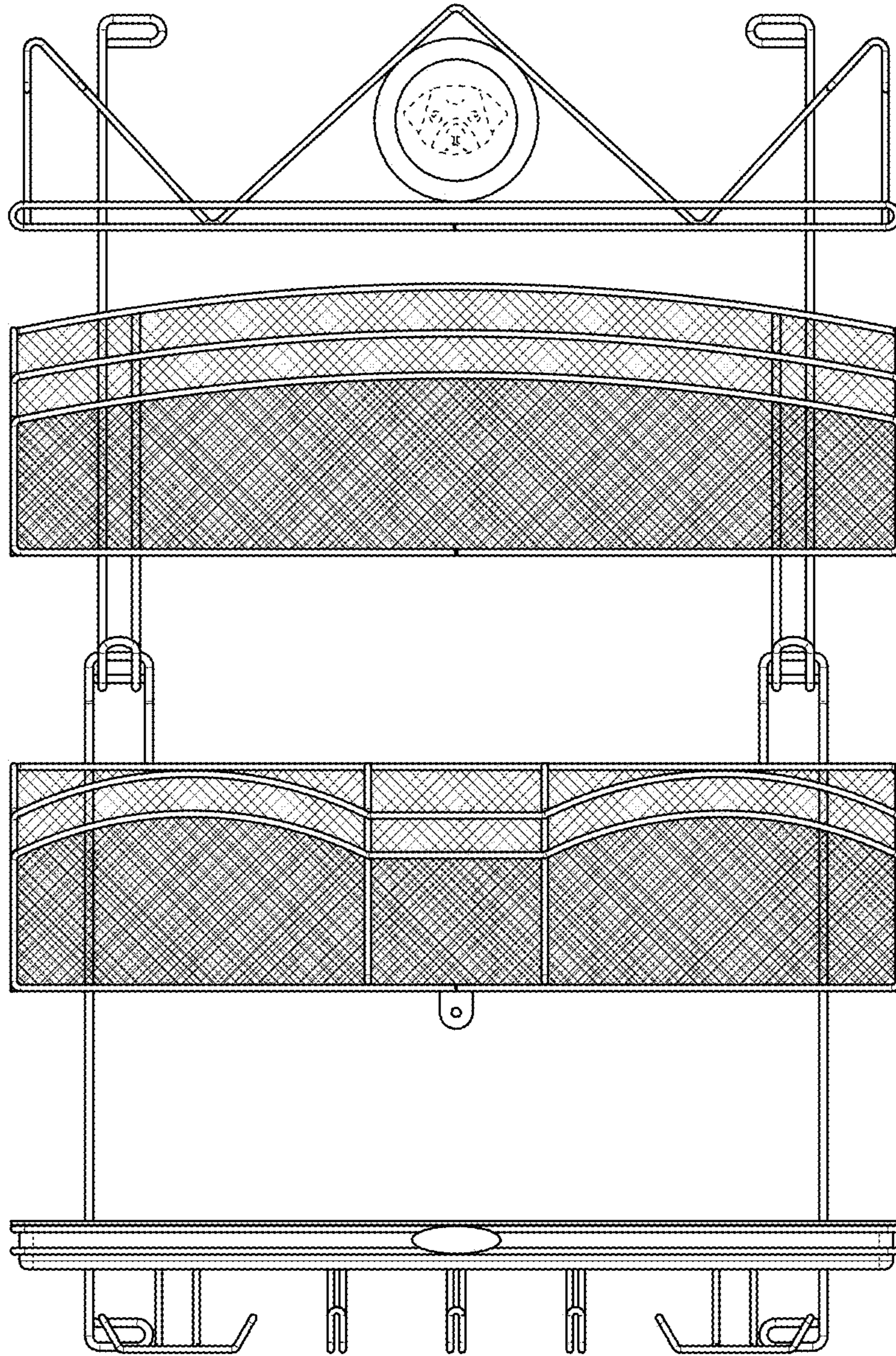


FIG. 2

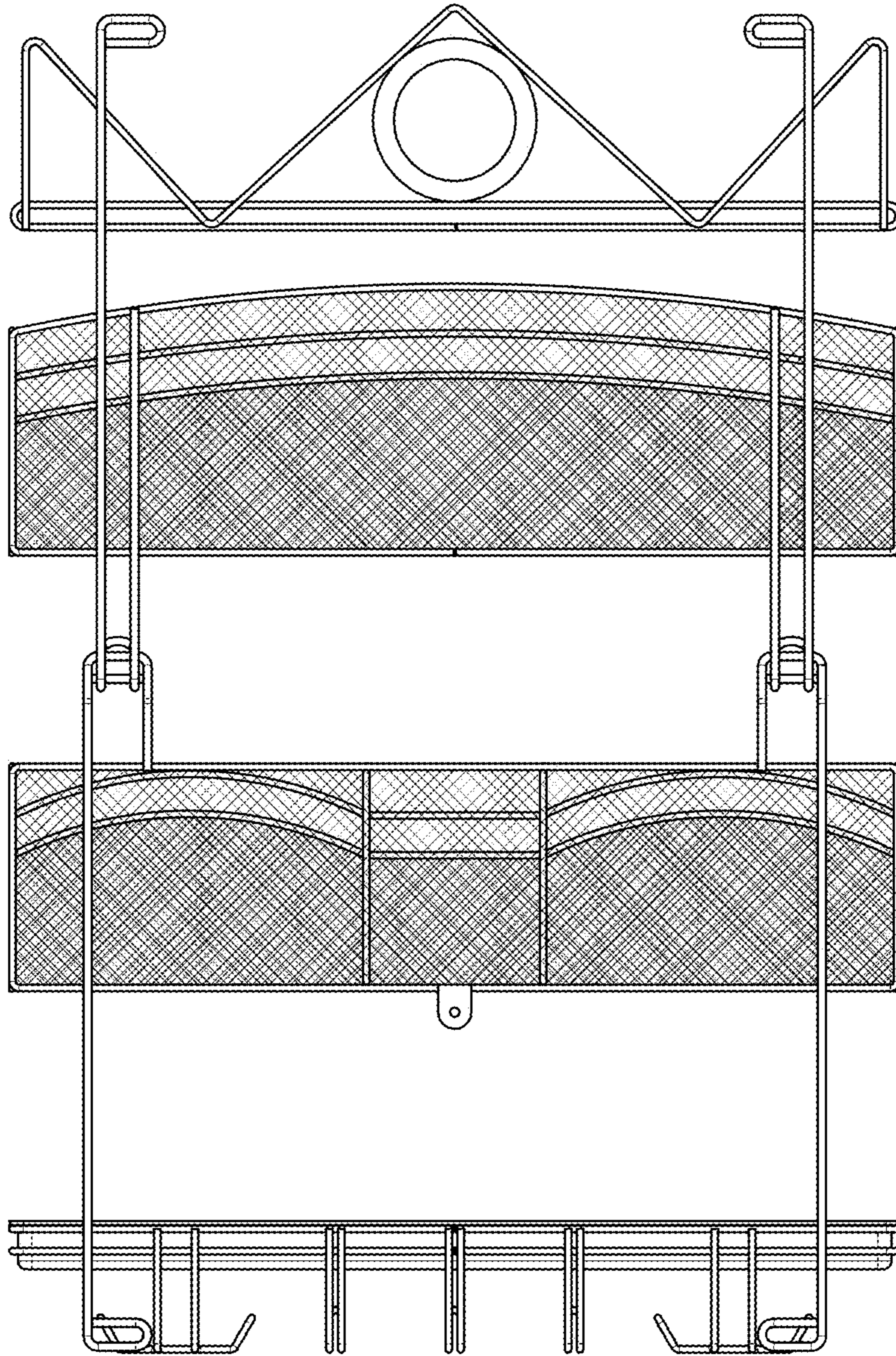


FIG. 3

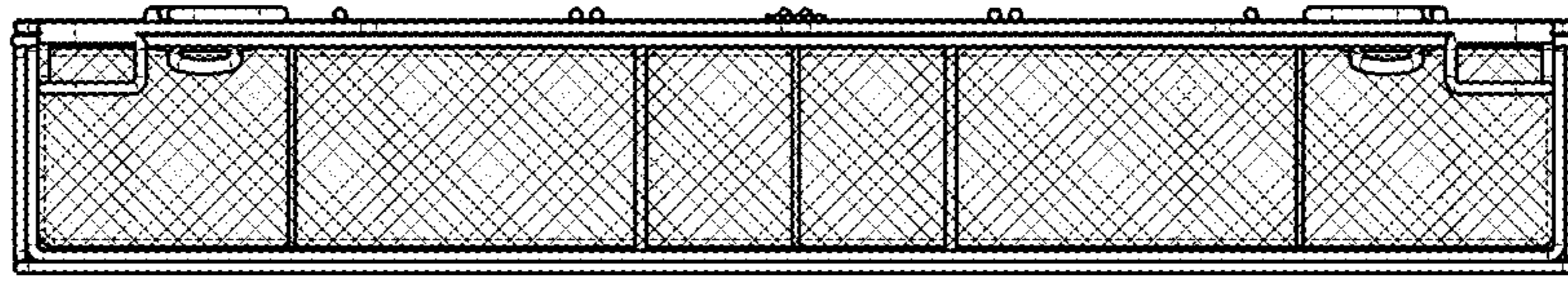


FIG. 4

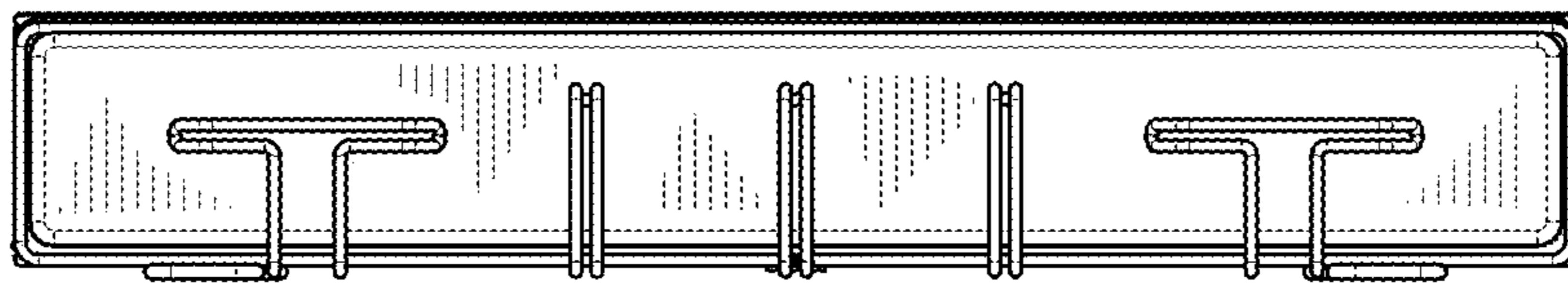


FIG. 5

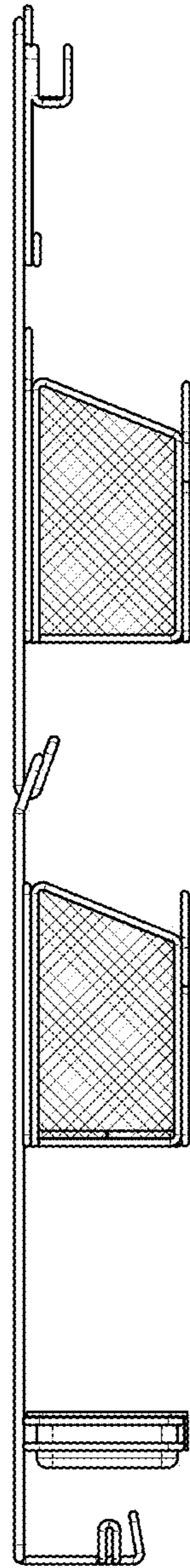


FIG. 6

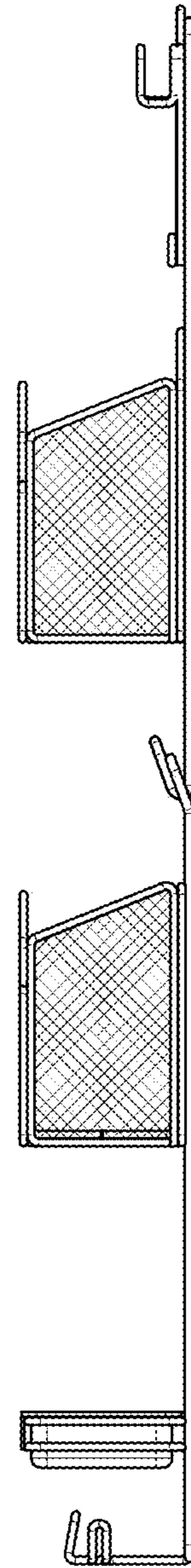


FIG. 7

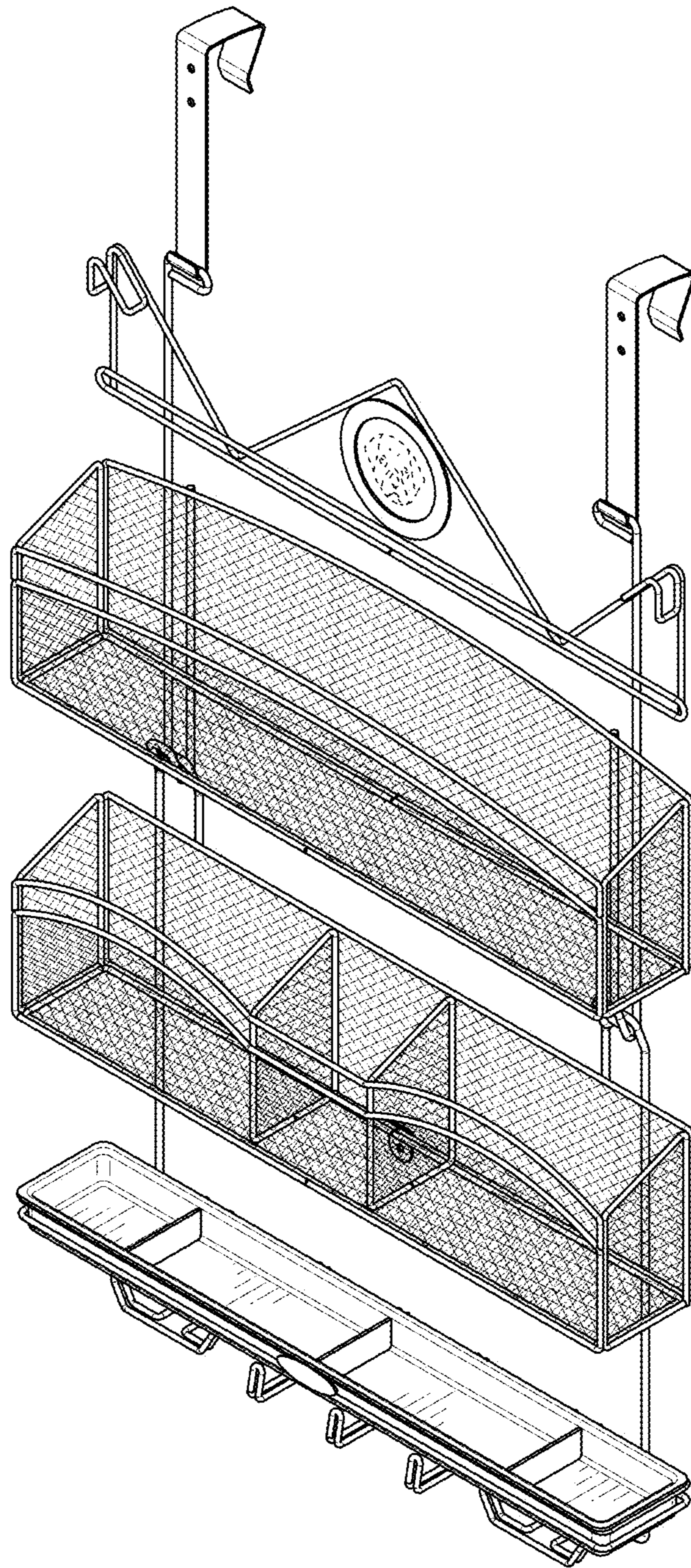


FIG. 8

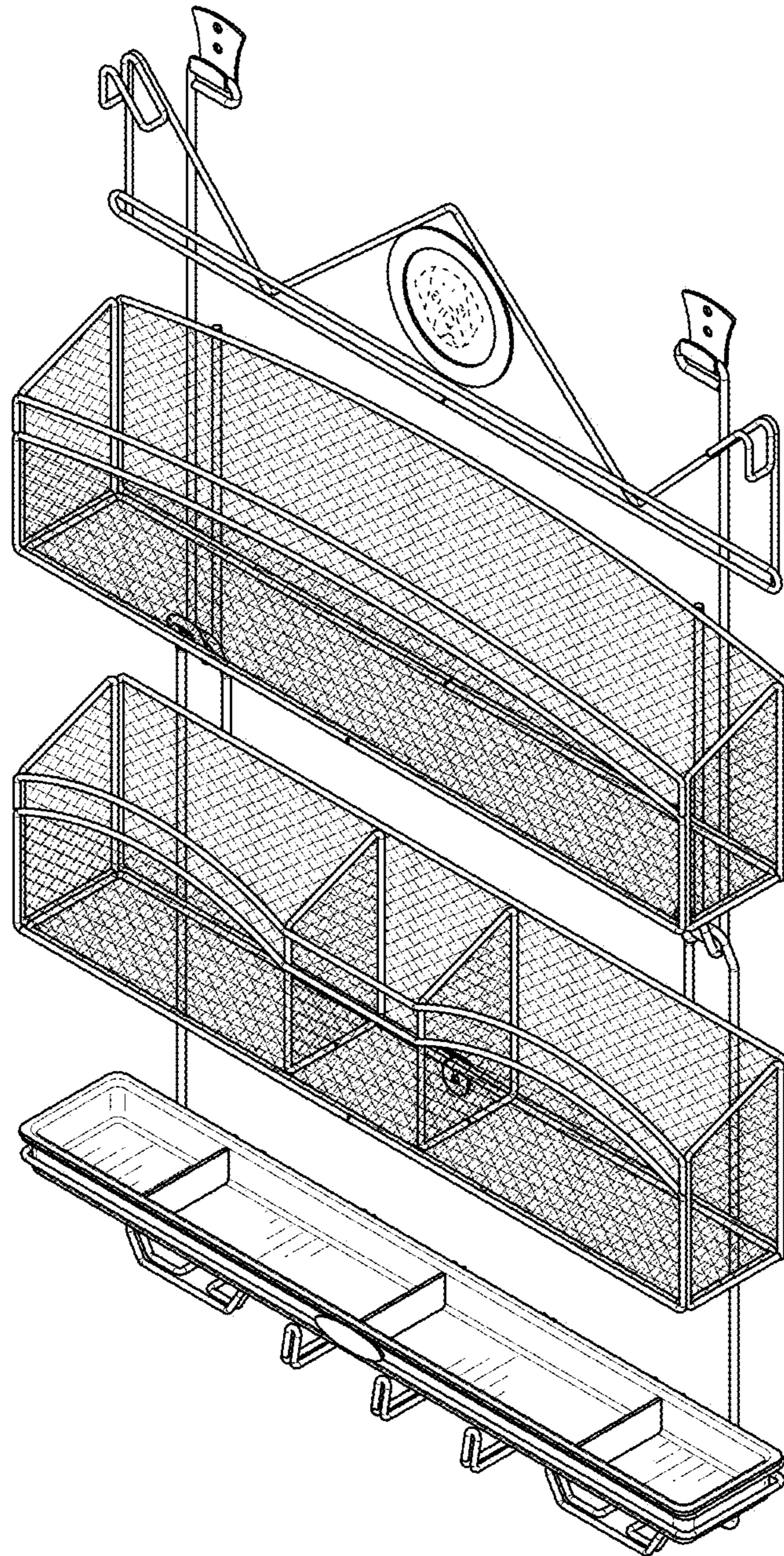


FIG. 9