

US00D874847S

(12) **United States Design Patent**  
**Stevens**

(10) **Patent No.:** **US D874,847 S**

(45) **Date of Patent:** **\*\* Feb. 11, 2020**

(54) **SPONGE HOLDER**

D723,760 S \* 3/2015 Goodman ..... D32/55  
D811,122 S \* 2/2018 Goodman ..... D6/553

(71) Applicant: **DV International Inc.**, St. Paul, MN (US)

\* cited by examiner

(72) Inventor: **Hallie L. Stevens**, St. Paul, MN (US)

*Primary Examiner* — Wan Laymon

*Assistant Examiner* — Mark Booker

(73) Assignee: **DV International Inc.**, St. Paul, MN (US)

(74) *Attorney, Agent, or Firm* — Pauly, DeVries Smith & Deffner LLC

(\*\*) Term: **15 Years**

(21) Appl. No.: **29/653,733**

(57) **CLAIM**

(22) Filed: **Jun. 18, 2018**

The ornamental design for a sponge holder, as shown and described.

(51) **LOC (12) Cl.** ..... **06-04**

(52) **U.S. Cl.**  
USPC ..... **D6/553**

(58) **Field of Classification Search**  
USPC ..... D6/553, 566, 524, 525, 536–537, 540,  
D6/567, 320; D3/306; D7/637;  
D32/55–56; 211/13.1, 74, 71.01, 86.01,  
211/75, 88.01, 90.01, 90.03, 106, 119,  
211/126.1, 133.5, 181.1, 134, 87.01;  
248/206.2–206.3  
CPC .. B23P 17/04; A47K 1/09; A47K 1/08; A47K  
3/281; F16B 47/00  
See application file for complete search history.

**DESCRIPTION**

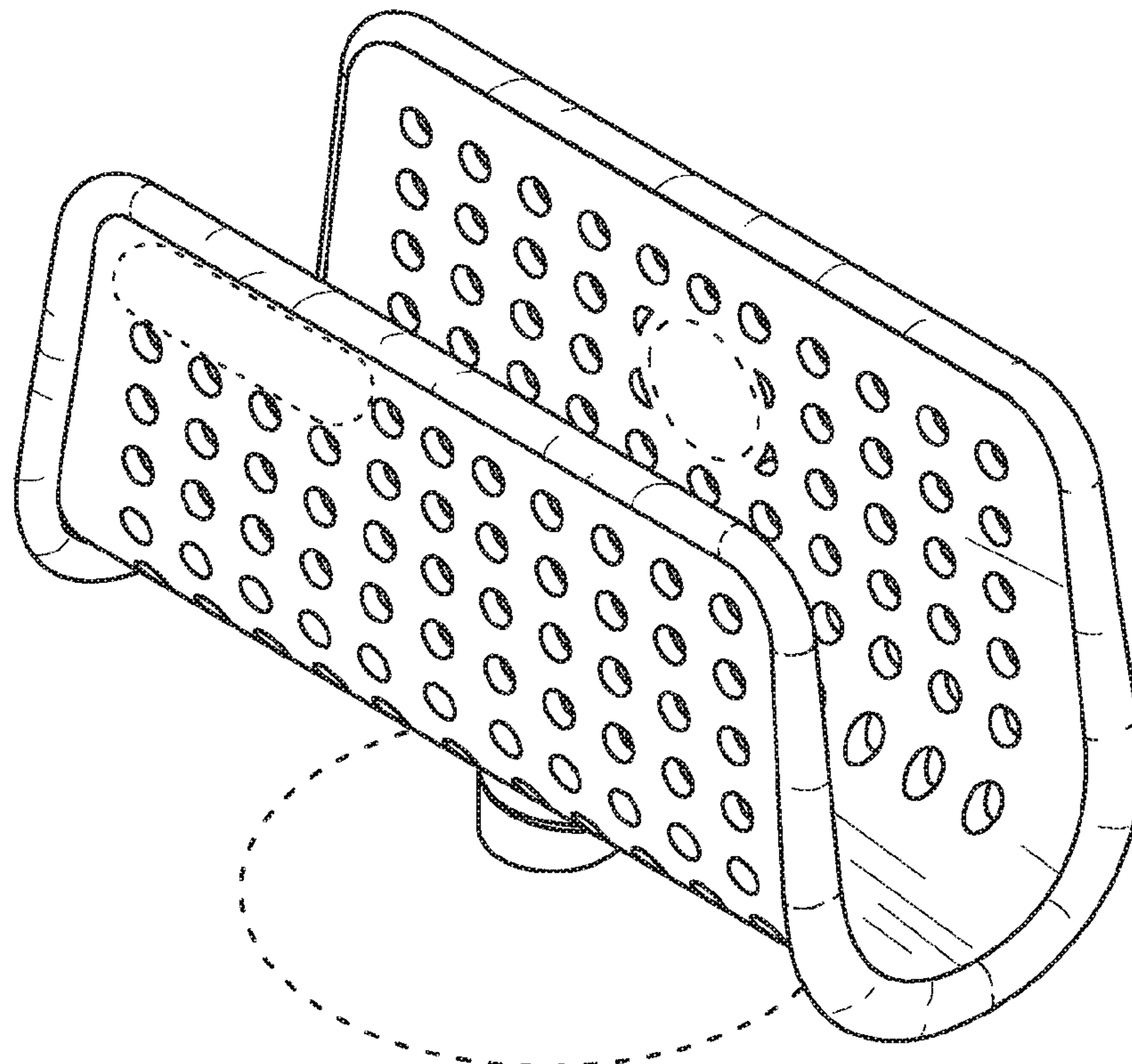
FIG. 1 is a front right perspective view of the sponge holder. FIG. 2 is a rear right perspective view of the sponge holder. FIG. 3 is a front elevational view of the sponge holder. FIG. 4 is a rear elevational view of the sponge holder. FIG. 5 is a top plan view of the sponge holder. FIG. 6 is a right side elevational view of the sponge holder. FIG. 7 is a left side elevational view of the sponge holder. FIG. 8 is a bottom plan view of the sponge holder; and, FIG. 9 is a bottom plan view of the sponge holder with the suction cup removed to show the bottom detail. The broken lines in the drawings illustrate portions of the sponge holder that form no part of the claim.

(56) **References Cited**

U.S. PATENT DOCUMENTS

D453,651 S \* 2/2002 Snell ..... D6/537  
D668,496 S \* 10/2012 Ho ..... D6/553

**1 Claim, 4 Drawing Sheets**



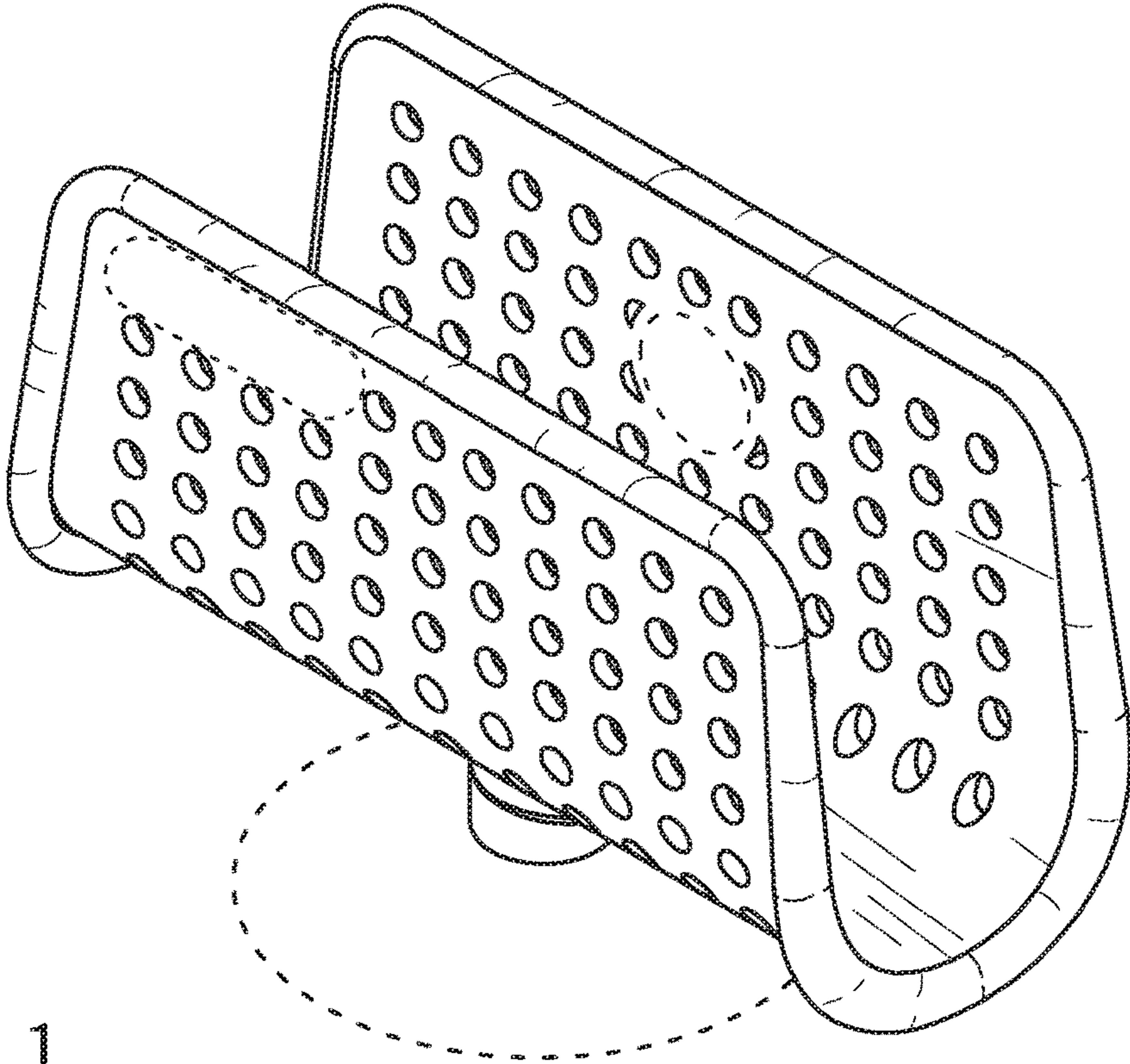


FIG. 1

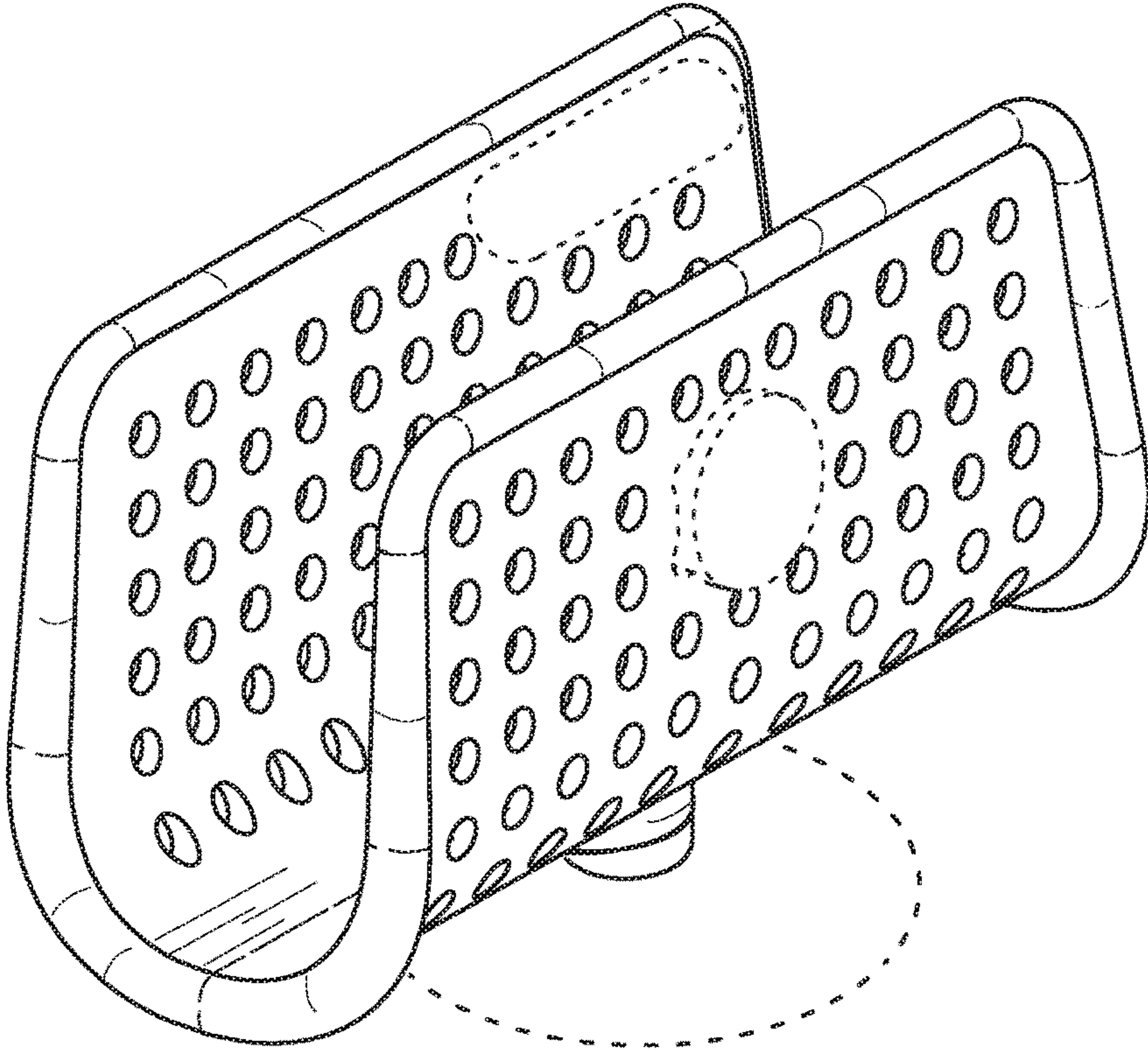


FIG. 2



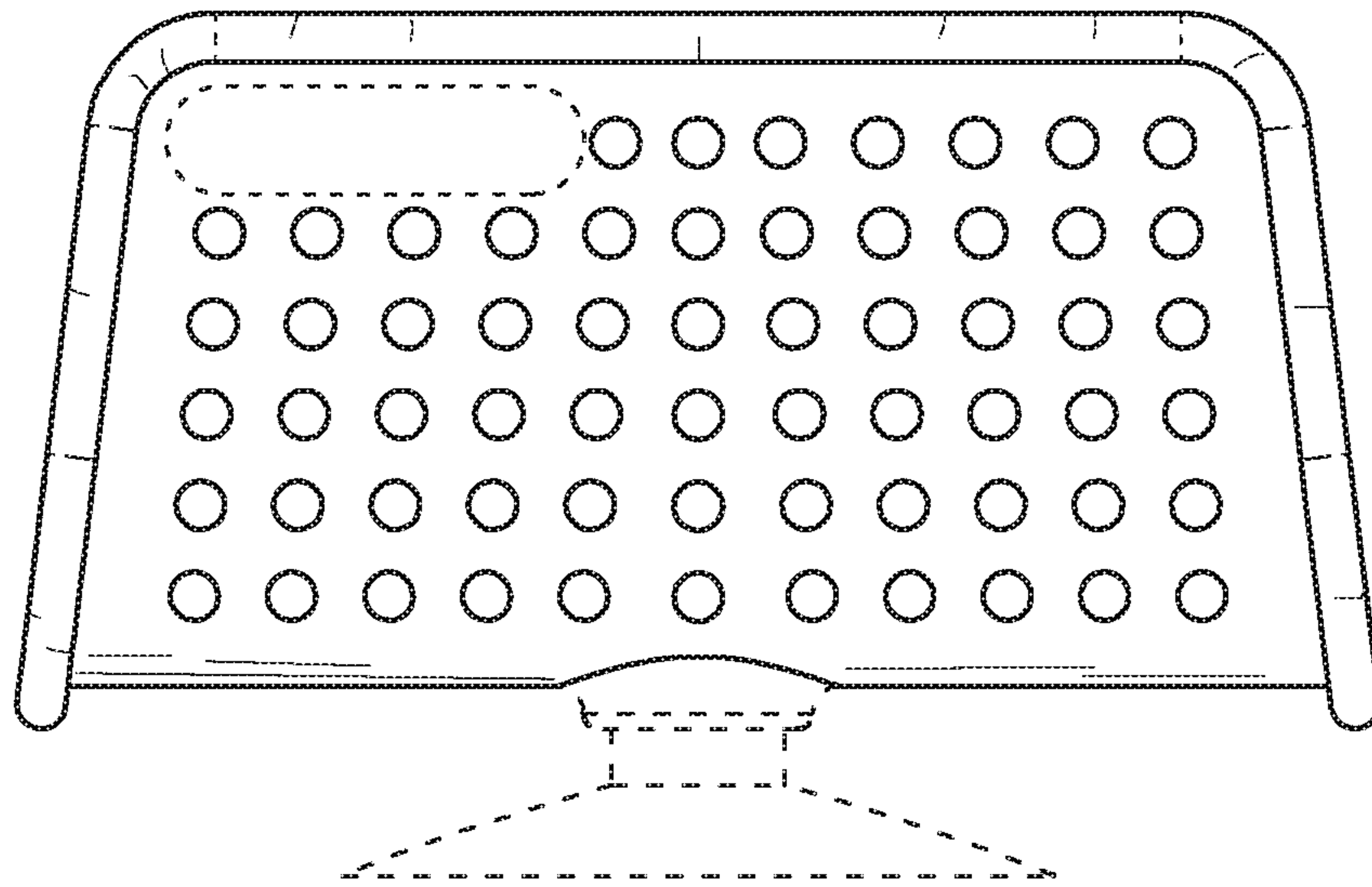


FIG. 3

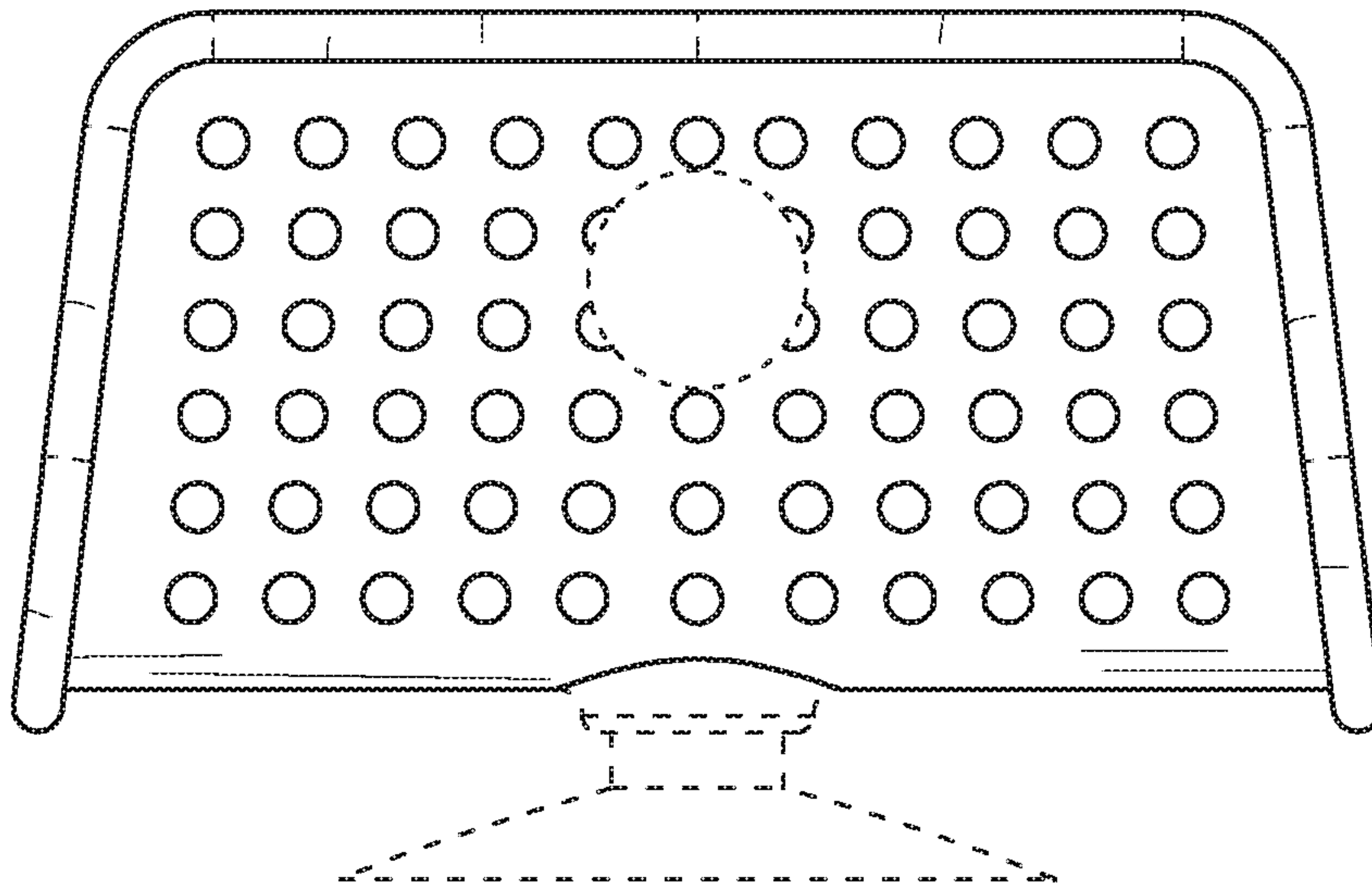


FIG. 4

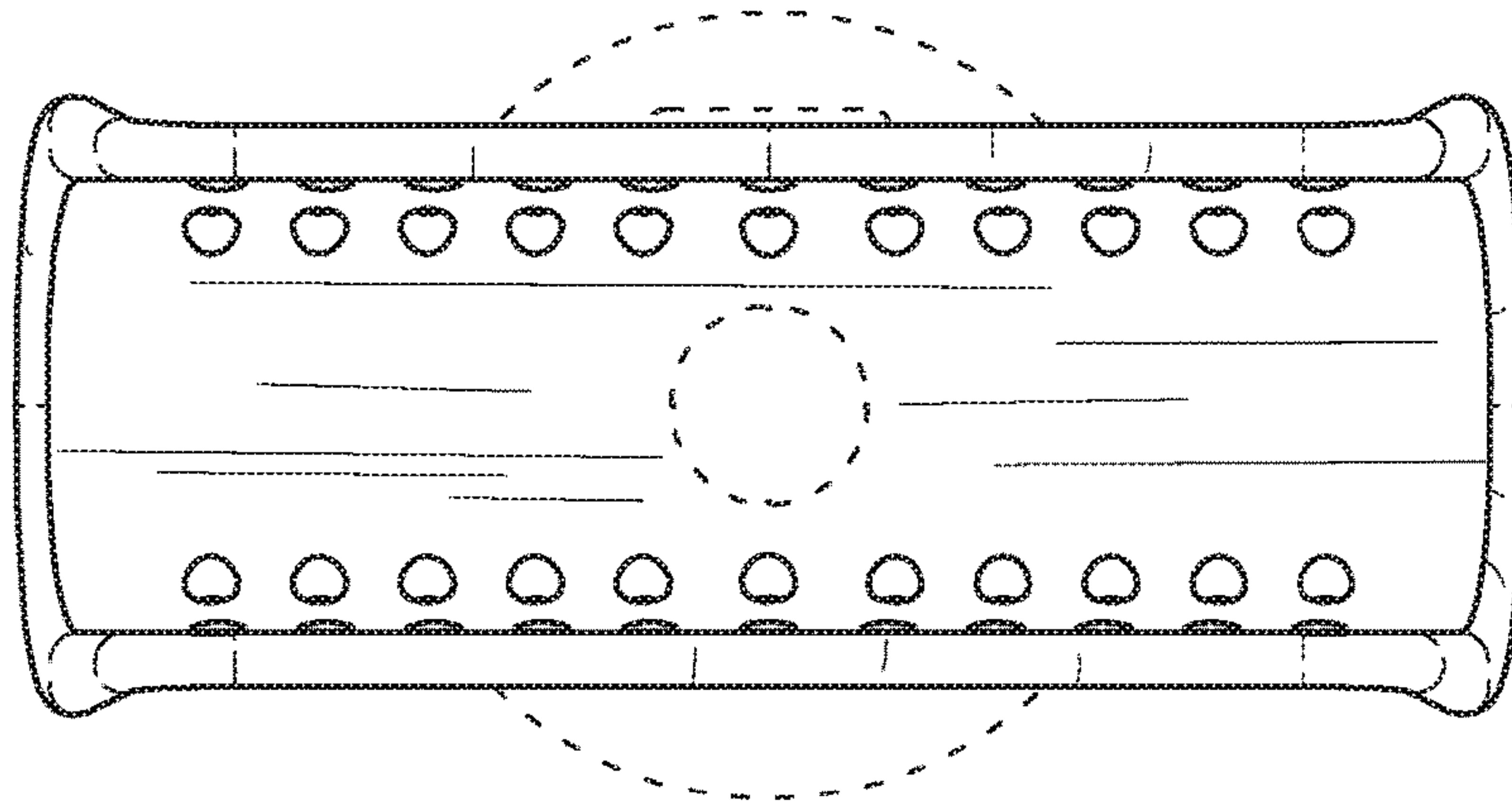


FIG. 5

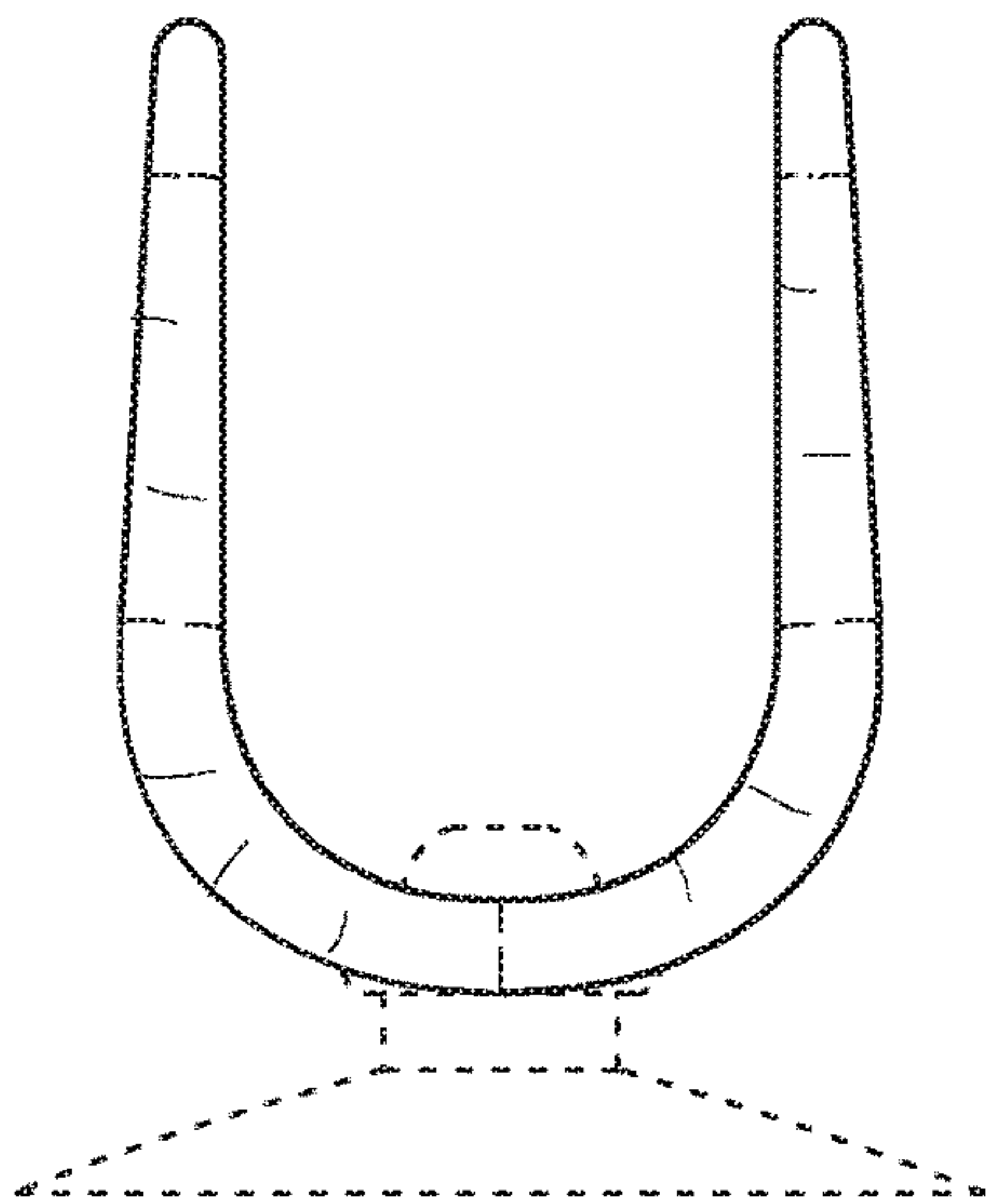


FIG. 6

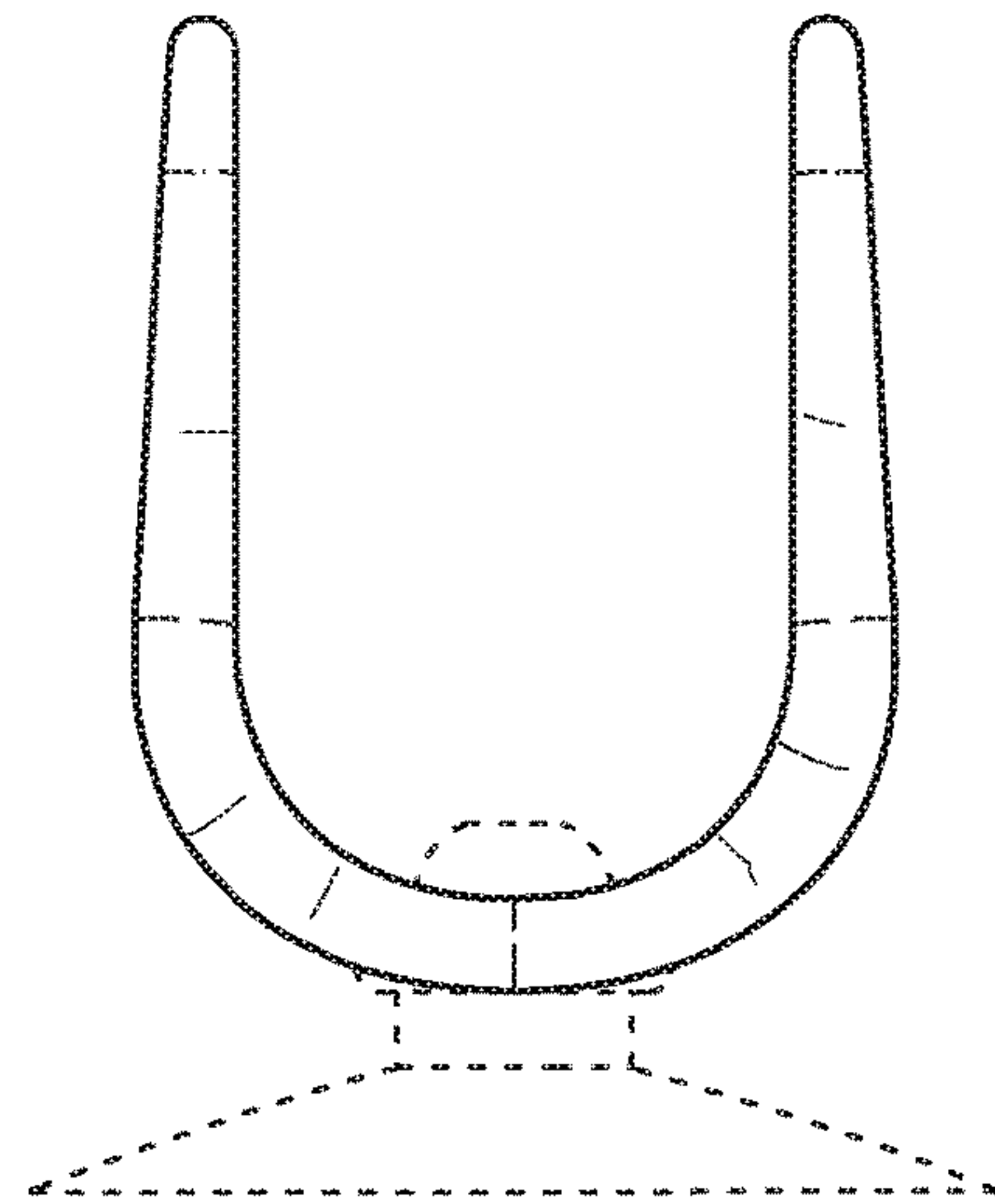


FIG. 7

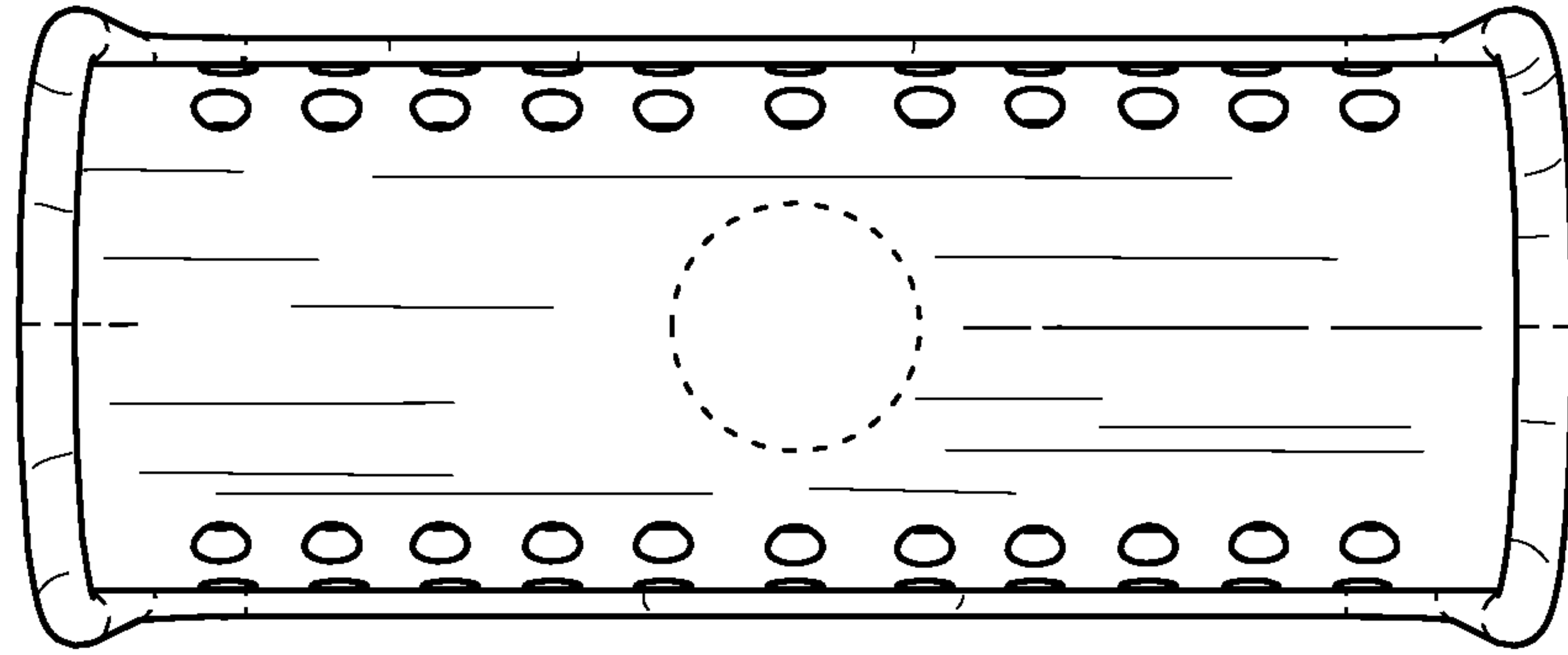


FIG. 9

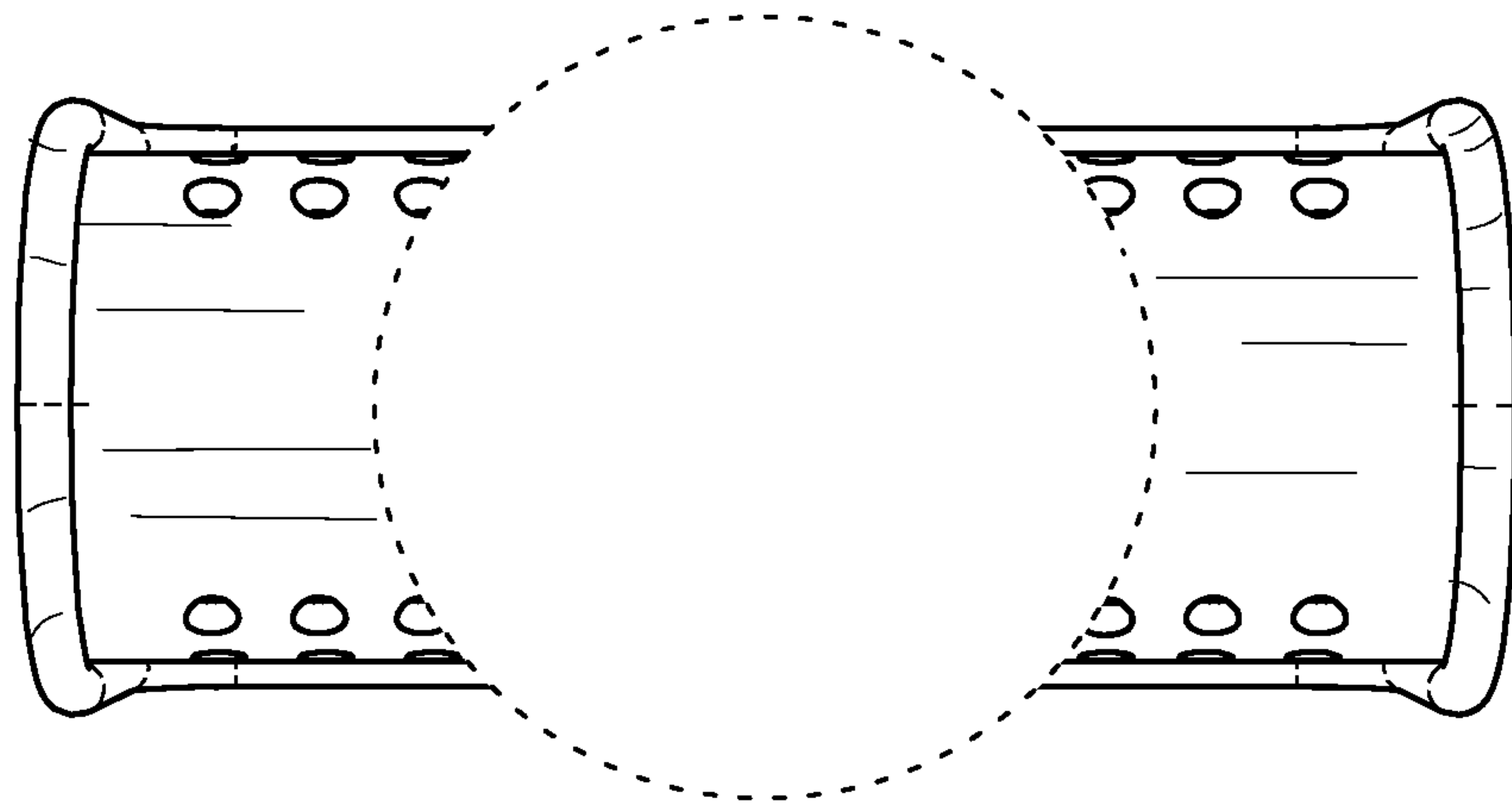


FIG. 8