

US00D874846S

(12) **United States Design Patent**
Teng

(10) **Patent No.:** **US D874,846 S**

(45) **Date of Patent:** **** Feb. 11, 2020**

(54) **LIQUID SOAP DISPENSER TUBE WITH CHECKVALVE AND TWO HOLED MULTI-SIZED BOTTLE CAP**

D678,376 S * 3/2013 Coleman D15/150
D721,425 S * 1/2015 Orimland D23/266
D837,977 S * 1/2019 Falleboe D24/127
D838,757 S * 1/2019 Wirtz D15/150

(71) Applicant: **Kim Searn Teng**, Saint-Hubert (CA)

* cited by examiner

(72) Inventor: **Kim Searn Teng**, Saint-Hubert (CA)

Primary Examiner — Wan Laymon

(73) Assignee: **Kim Searn Teng**, Quebec (CA)

Assistant Examiner — Mark Booker

(**) Term: **15 Years**

(21) Appl. No.: **29/669,628**

(22) Filed: **Nov. 9, 2018**

(51) **LOC (12) Cl.** **09-07**

(52) **U.S. Cl.**
USPC **D6/542**

(58) **Field of Classification Search**
USPC D6/542; D9/516, 549, 558, 574, 575,
D9/695, 697, 723, 724; D15/150, 151,
D15/152; D23/266; D24/127, 173
CPC B01L 3/10; A45D 19/18; A45D 19/02;
A61M 3/0262; B65D 1/323; B65D 35/28;
B65D 47/18; B05B 11/3035; B05B
11/3087

See application file for complete search history.

(56) **References Cited**

U.S. PATENT DOCUMENTS

D420,135 S * 2/2000 Fretz D24/173
D536,972 S * 2/2007 van der Heijden D6/542

(57) **CLAIM**

The ornamental design for a liquid soap dispenser tube with checkvalve and two holed multi-sized bottle cap, as shown and described.

DESCRIPTION

FIG. 1 is a front elevation view of a liquid soap dispenser tube with checkvalve and two holed multi-sized bottle cap that comprises my new invention;
FIG. 2 is a top perspective view of the stoppers separated from the hose with checkvalve for ease of illustration;
FIG. 3 is a bottom perspective view thereof;
FIG. 4 is a perspective view with the stoppers removed from the hose with checkvalve and placed in the center of the hose with checkvalve; and,
FIG. 5 is a perspective view with the stoppers removed from the hose in an inverted position and placed in the center of the hose with checkvalve.

1 Claim, 5 Drawing Sheets

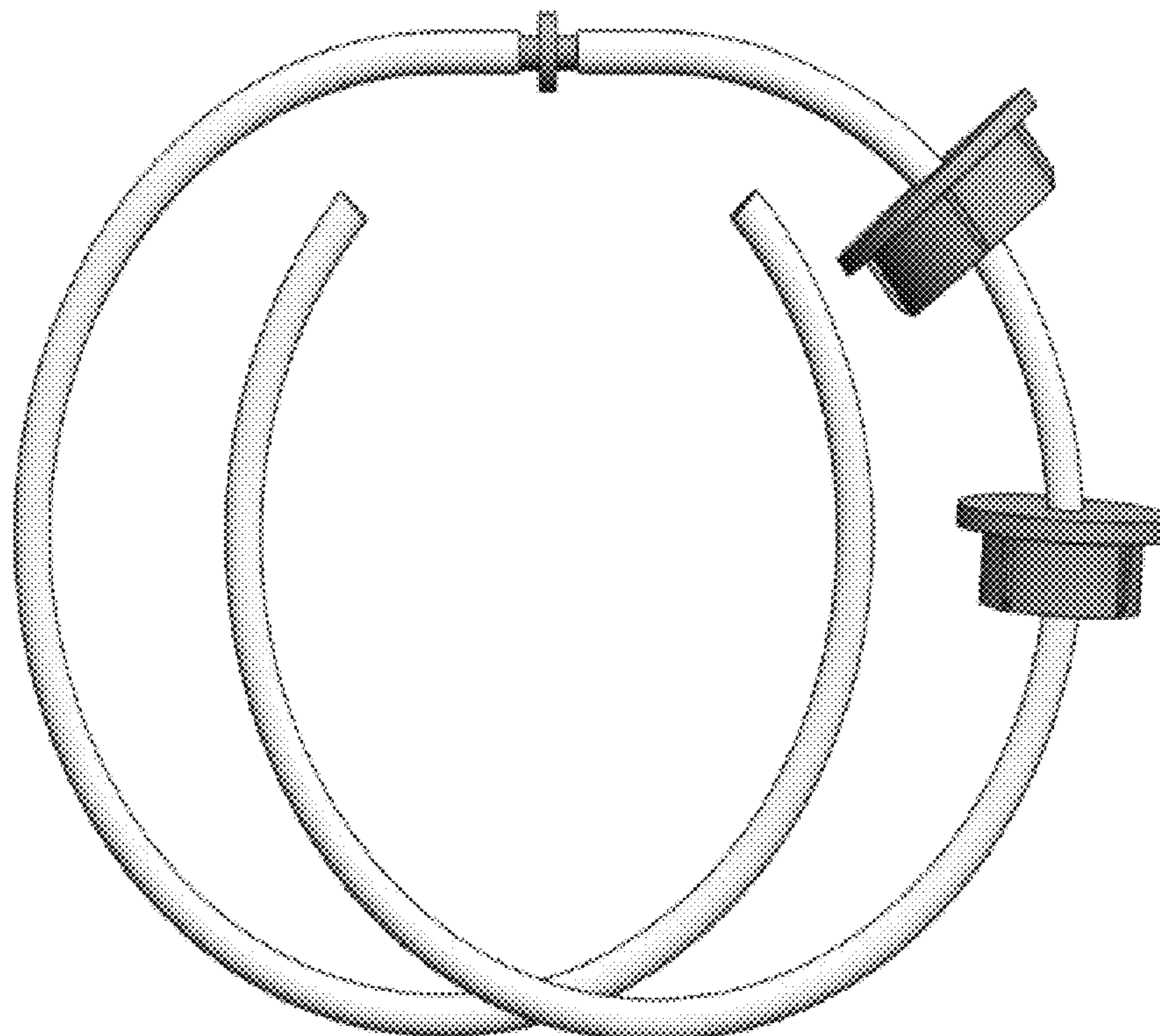


FIG. 1

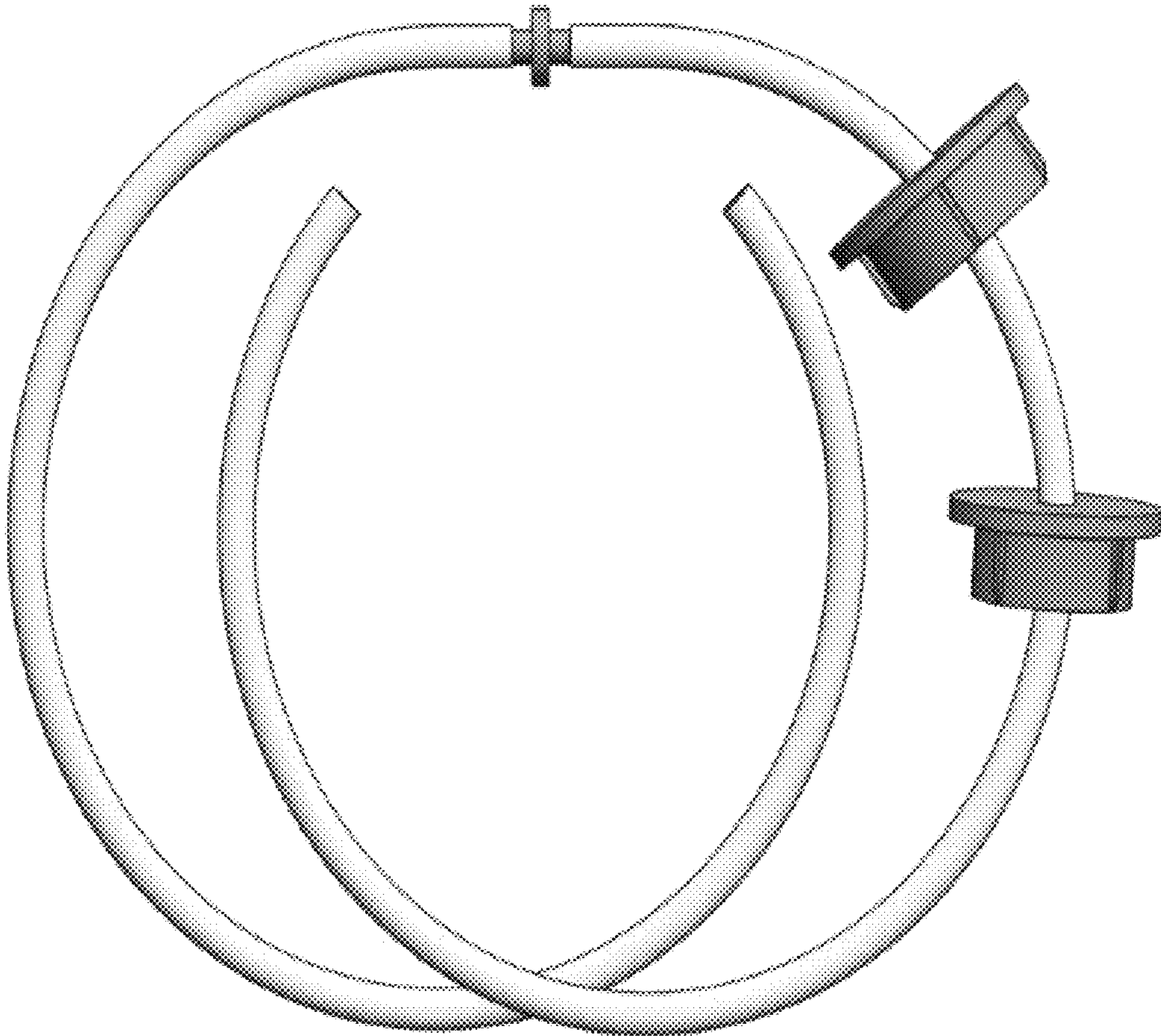


FIG. 2

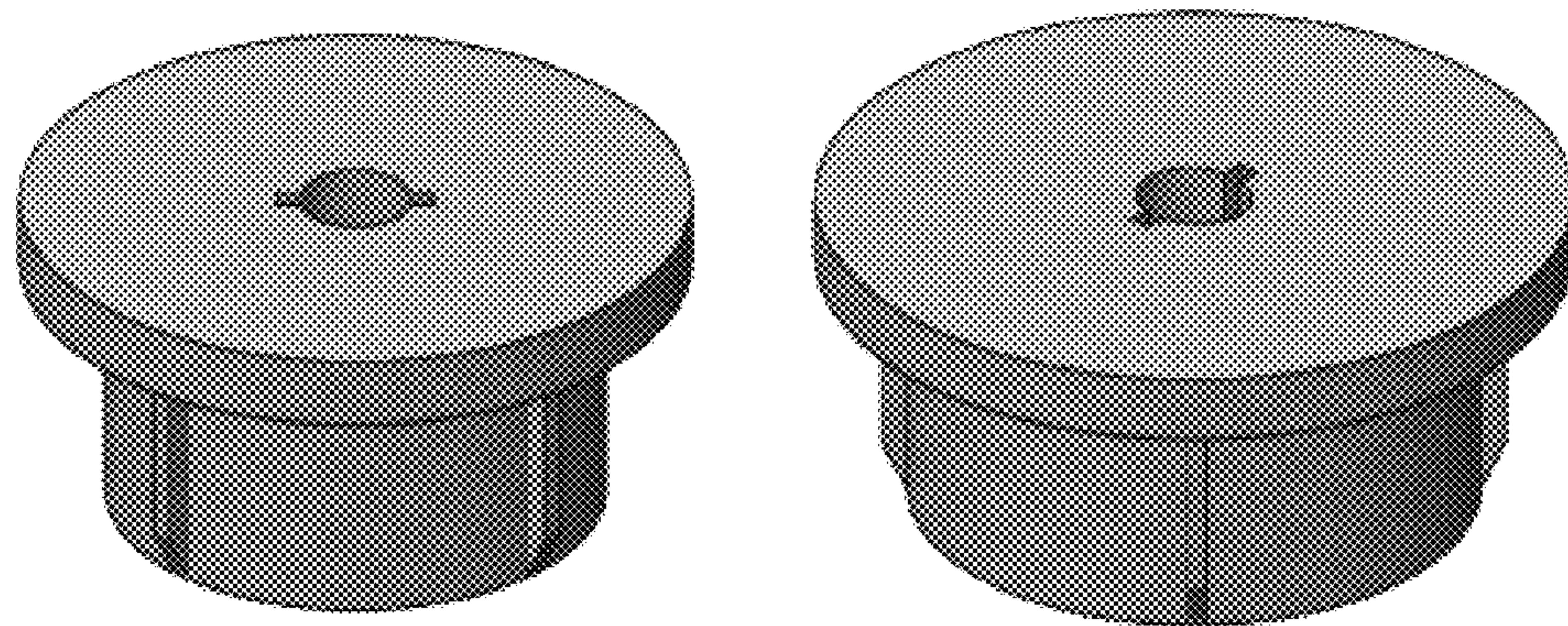


FIG. 3

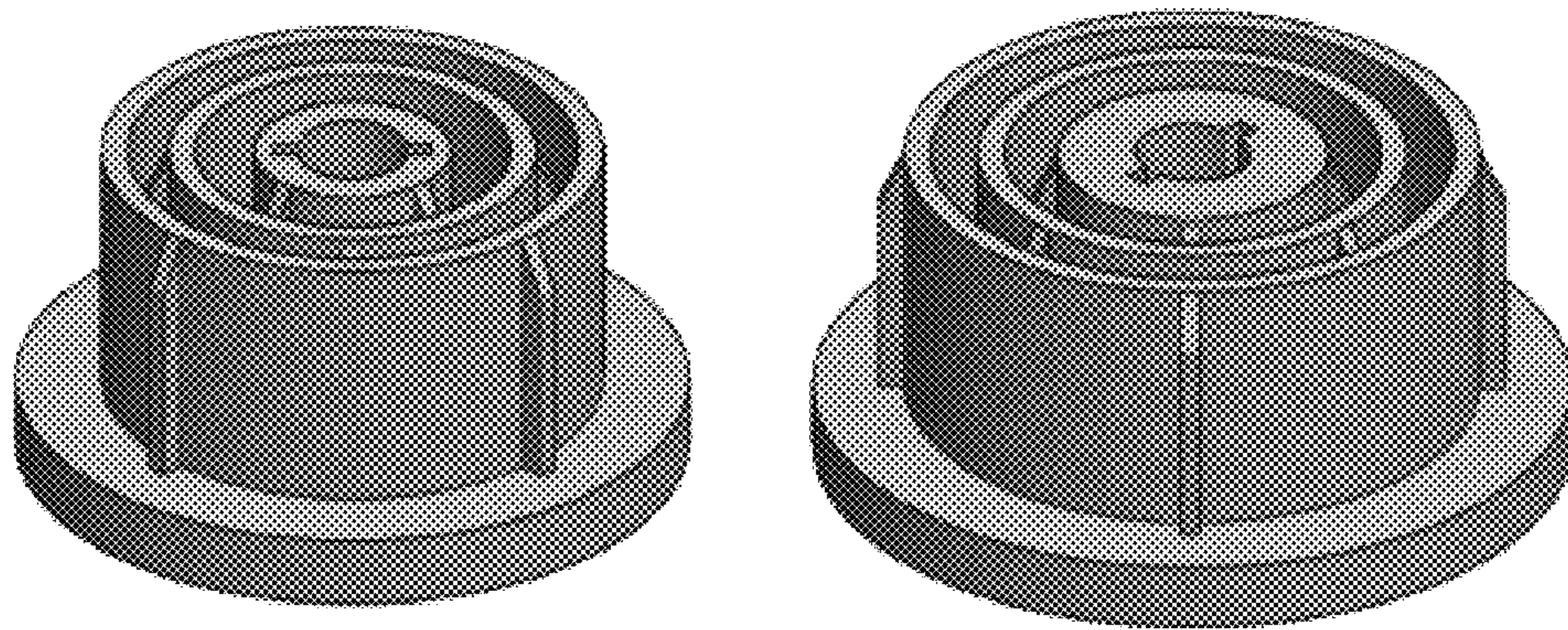


FIG. 4

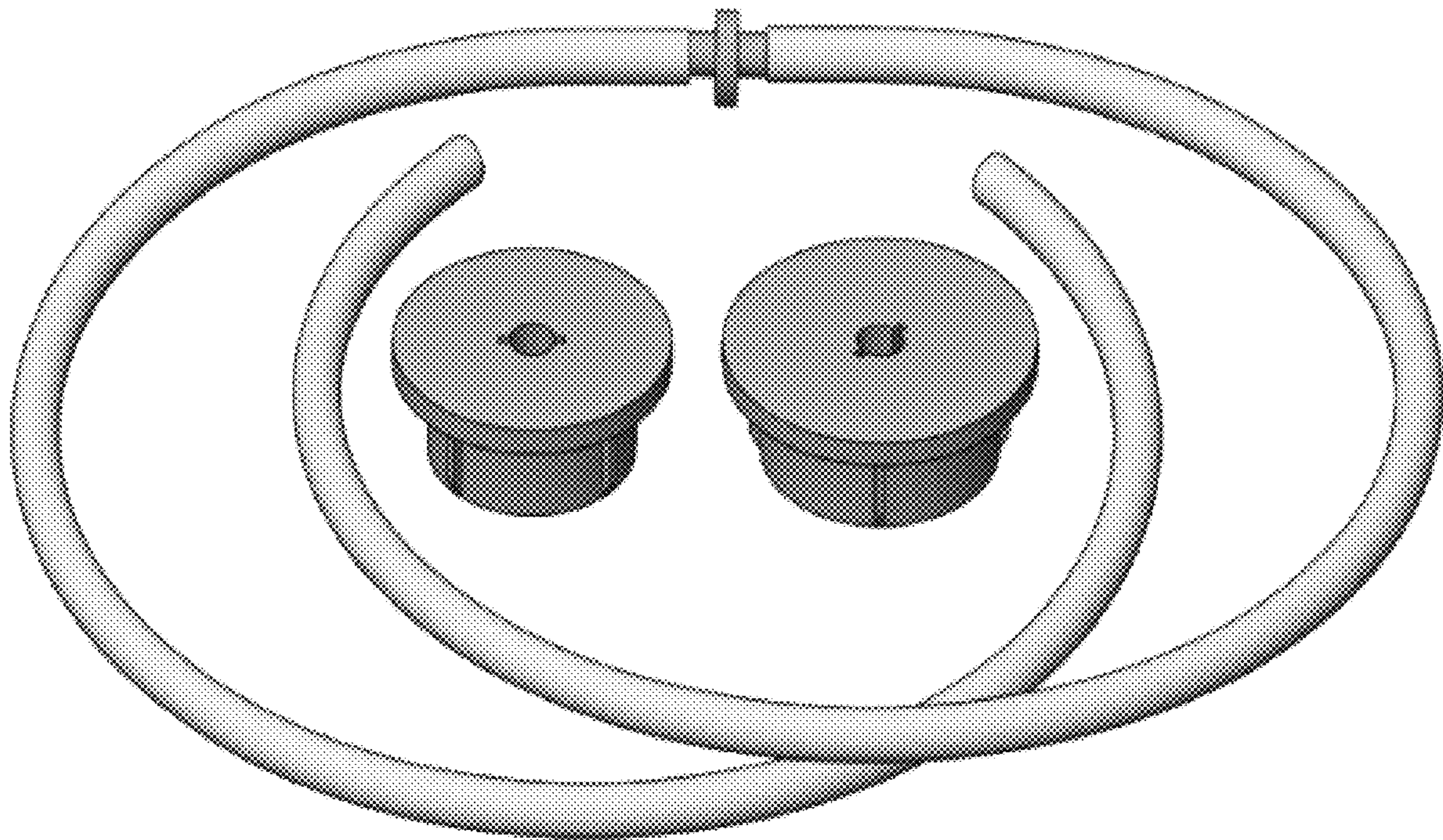


FIG. 5

