



US00D874842S

(12) **United States Design Patent**
Wang

(10) **Patent No.:** **US D874,842 S**

(45) **Date of Patent:** **** Feb. 11, 2020**

(54) **OFFICE CHAIR**

(71) Applicant: **Zhengxing Wang**, Jiujiang (CN)

(72) Inventor: **Zhengxing Wang**, Jiujiang (CN)

(**) Term: **15 Years**

(21) Appl. No.: **29/615,801**

(22) Filed: **Aug. 31, 2017**

(51) **LOC (12) Cl.** **06-01**

(52) **U.S. Cl.**
USPC **D6/366**

(58) **Field of Classification Search**
USPC D6/334-336, 364, 365, 366, 374, 379,
D6/380, 716, 716.1, 716.2, 716.4
CPC A47C 7/002; A47C 7/004; A47C 7/18;
A47C 7/38; A47C 7/40; A47C 7/46;
A47C 7/405; A47C 7/54; B60N 2/66
See application file for complete search history.

(56) **References Cited**

U.S. PATENT DOCUMENTS

6,843,530	B1 *	1/2005	Wu	A47C 7/38 297/284.3
D501,333	S *	2/2005	Piretti	D6/366
6,938,956	B1 *	9/2005	Piretti	A47C 7/38 297/230.14
6,945,601	B1 *	9/2005	Wu	A47C 7/40 297/284.1
D510,671	S *	10/2005	Wu	D6/366
7,887,135	B2 *	2/2011	Oda	A47C 7/38 297/396
D641,572	S *	7/2011	Tsai	D6/716.4
D645,684	S *	9/2011	Chen	D6/366

D661,506	S *	6/2012	Ou	D6/366
D661,916	S *	6/2012	Chen	D6/366
8,272,691	B2 *	9/2012	Hsuan-Chin	A47C 7/46 297/284.4
D673,399	S *	1/2013	Gu	D6/716.4
D698,167	S *	1/2014	Wan	D6/366
D708,883	S *	7/2014	Tsai	D6/716.4
D708,884	S *	7/2014	Hsuan-Chin	D6/716.4
9,480,340	B1 *	11/2016	Harlow	A47C 7/004
D780,499	S *	3/2017	Tsai	D6/366
D793,142	S *	8/2017	Tsai	D6/716.4
10,076,191	B2 *	9/2018	Chen	A47C 7/46
D841,997	S *	3/2019	Chen	D6/366

* cited by examiner

Primary Examiner — Mimosa De

(74) *Attorney, Agent, or Firm* — Hayes Soloway PC

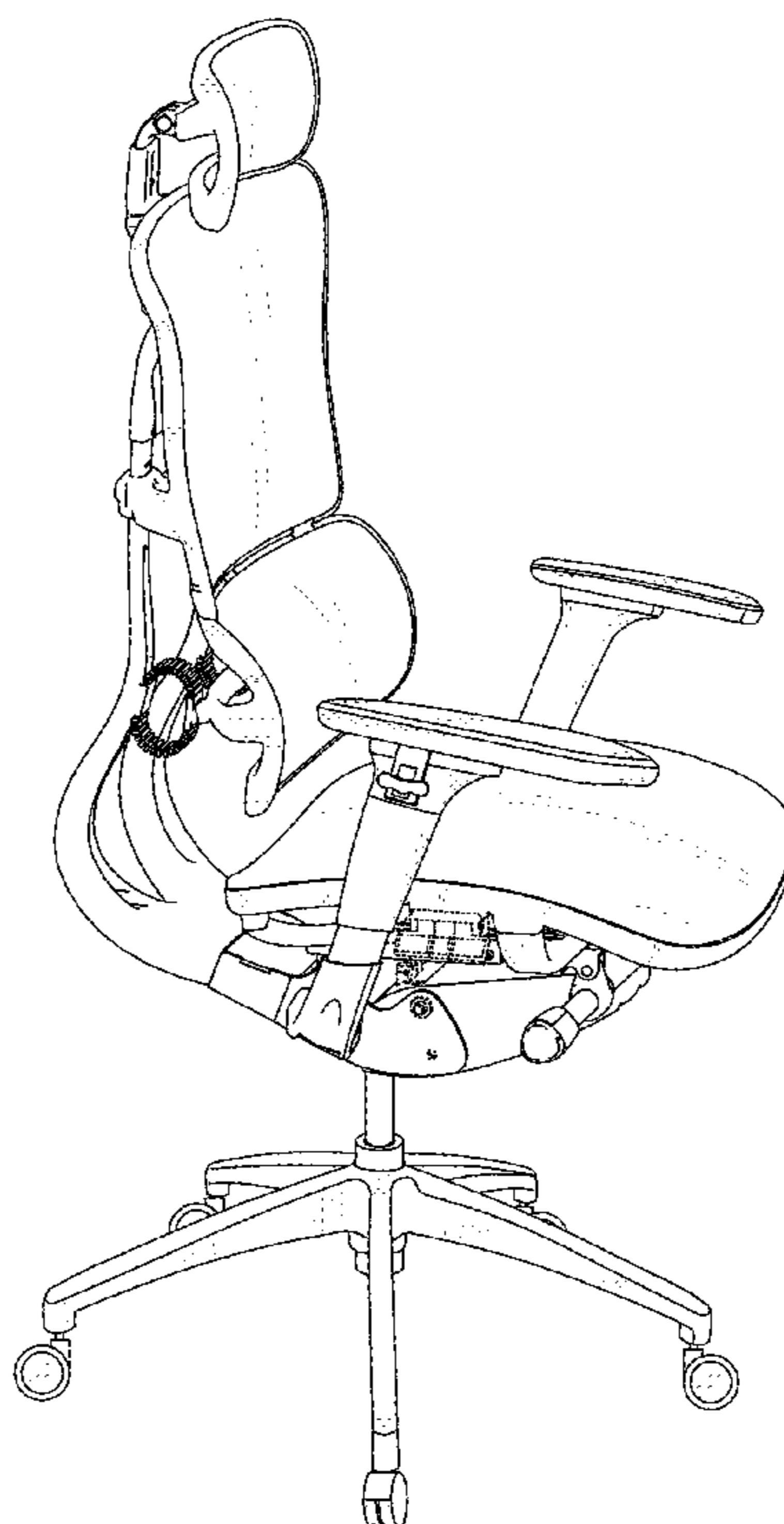
(57) **CLAIM**

I claim the ornamental design for an office chair, as shown and described.

DESCRIPTION

FIG. 1 is a perspective view of the office chair showing my new design;
FIG. 2 is a front view thereof;
FIG. 3 is a back view thereof;
FIG. 4 is a left view thereof;
FIG. 5 is a right view thereof;
FIG. 6 is a top view thereof; and,
FIG. 7 is a bottom view thereof.
The broken lines are directed to environment and are for illustrative purposes only; the broken lines form no part of the claimed design.

1 Claim, 7 Drawing Sheets



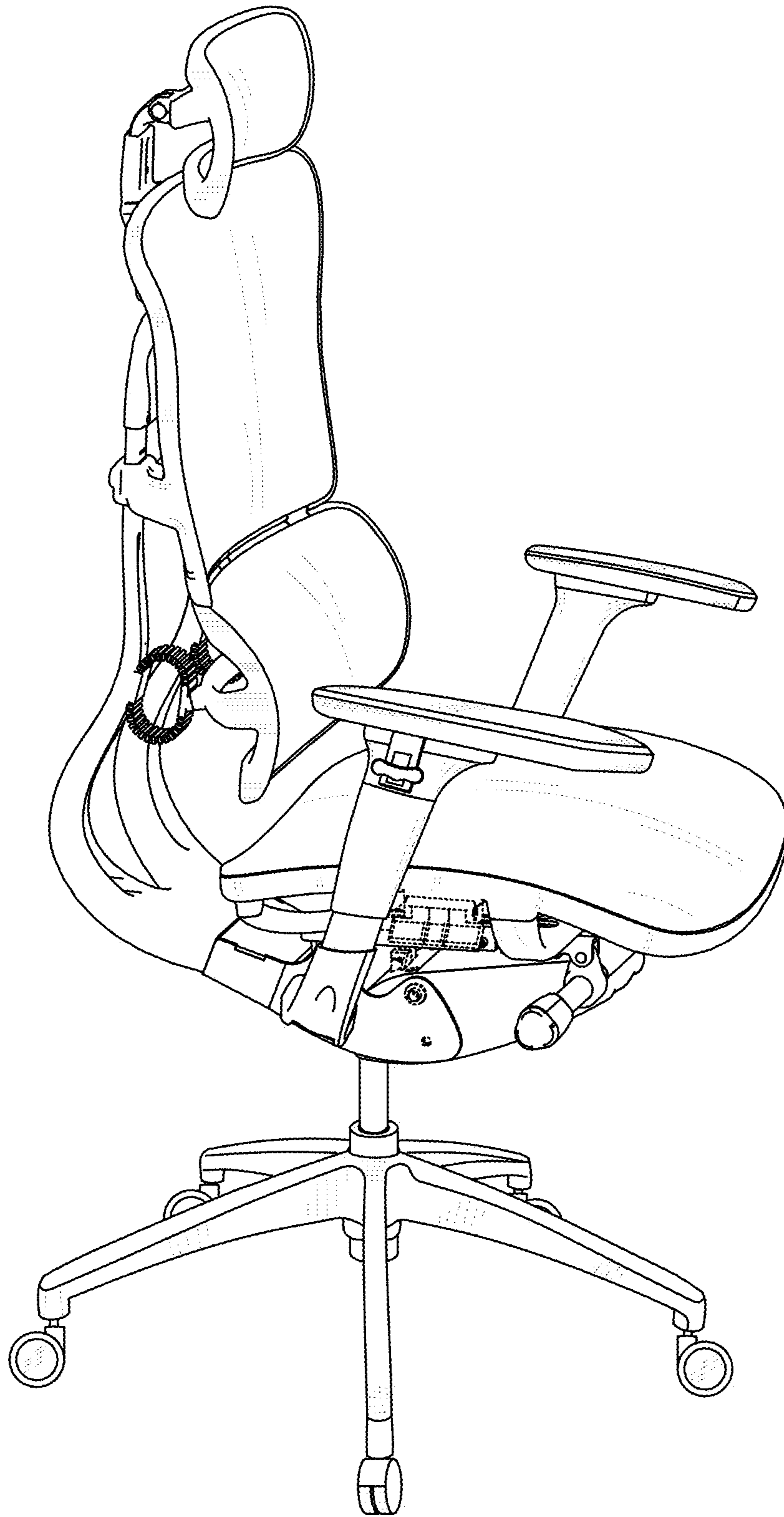


FIG. 1

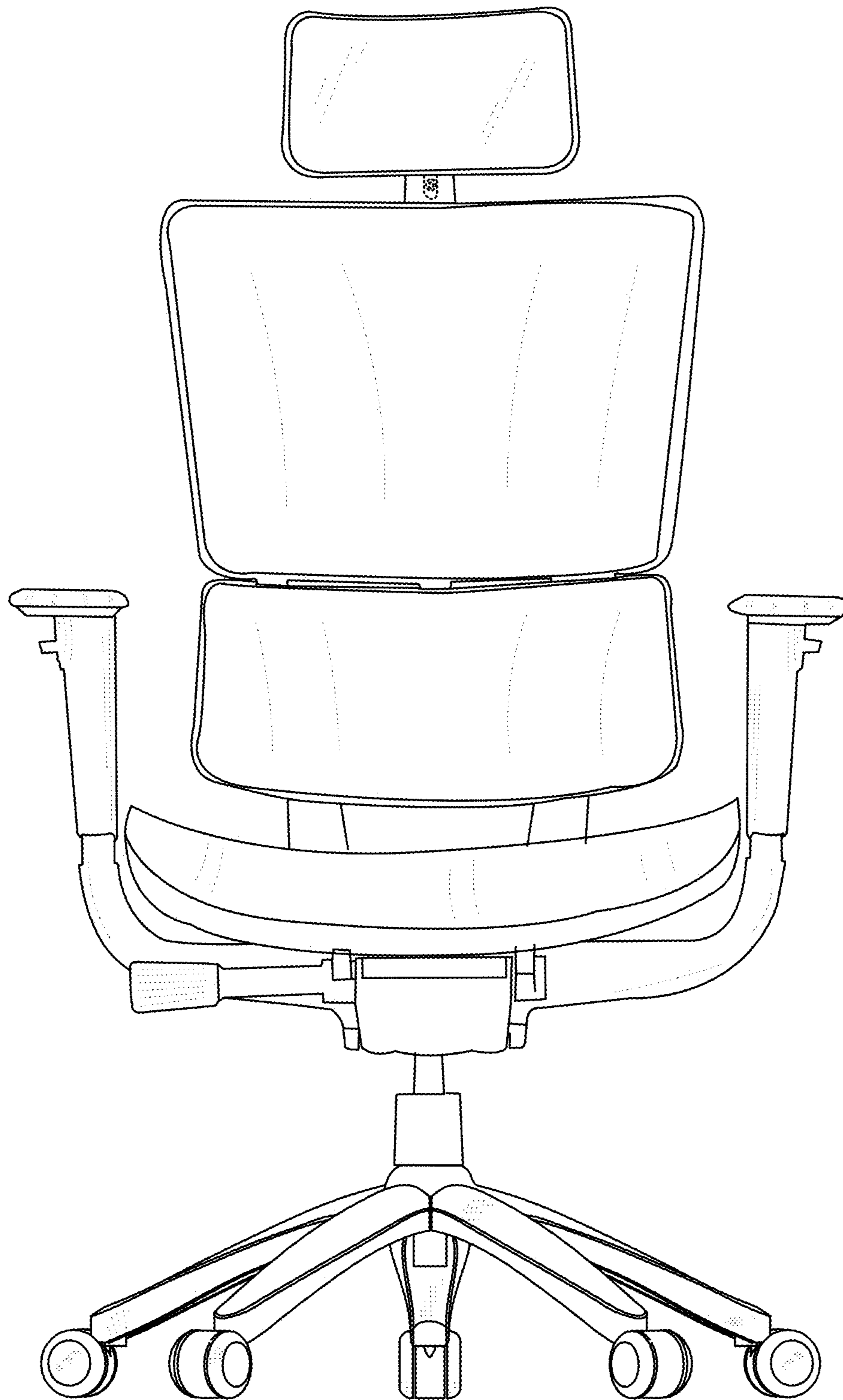


FIG.2

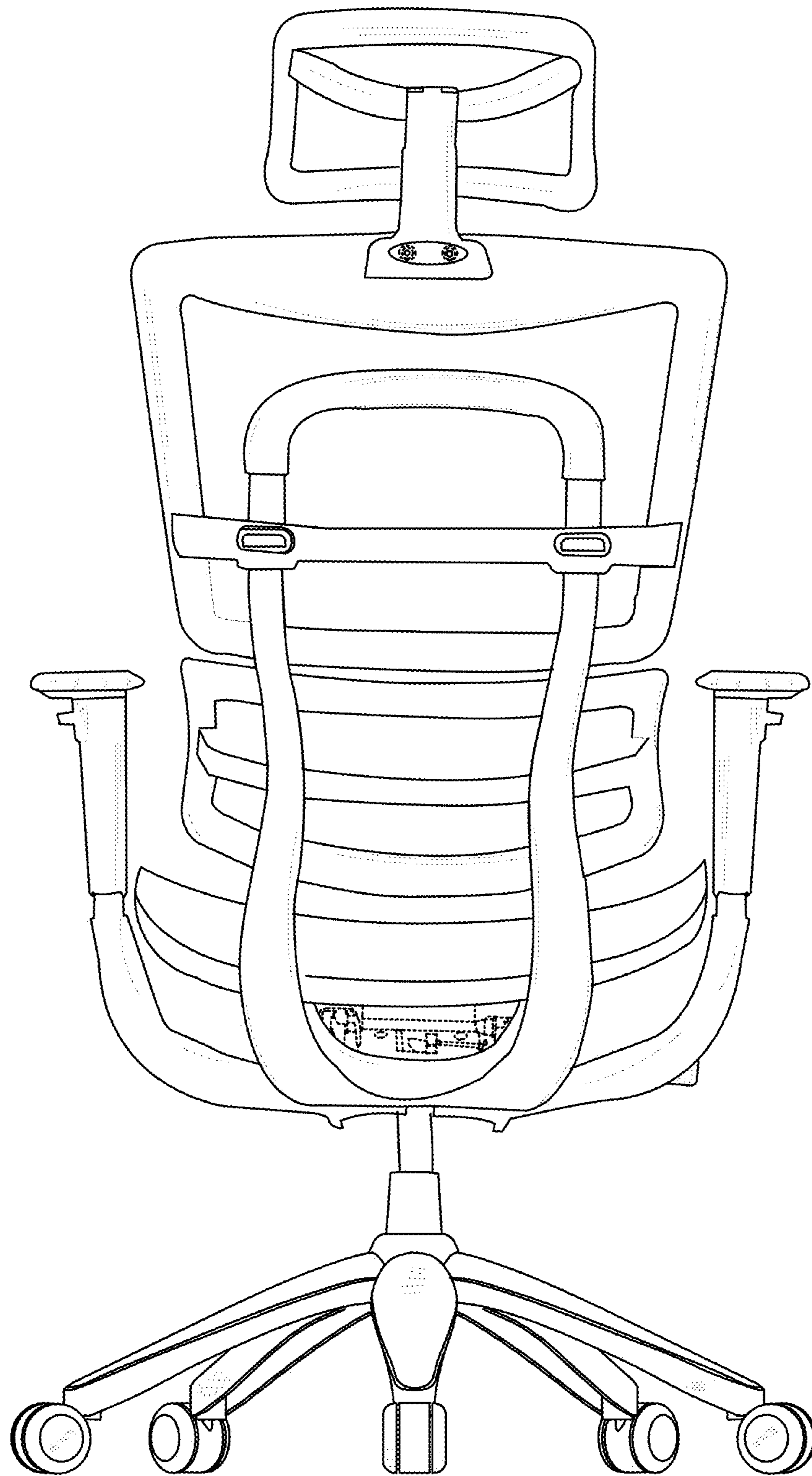


FIG. 3

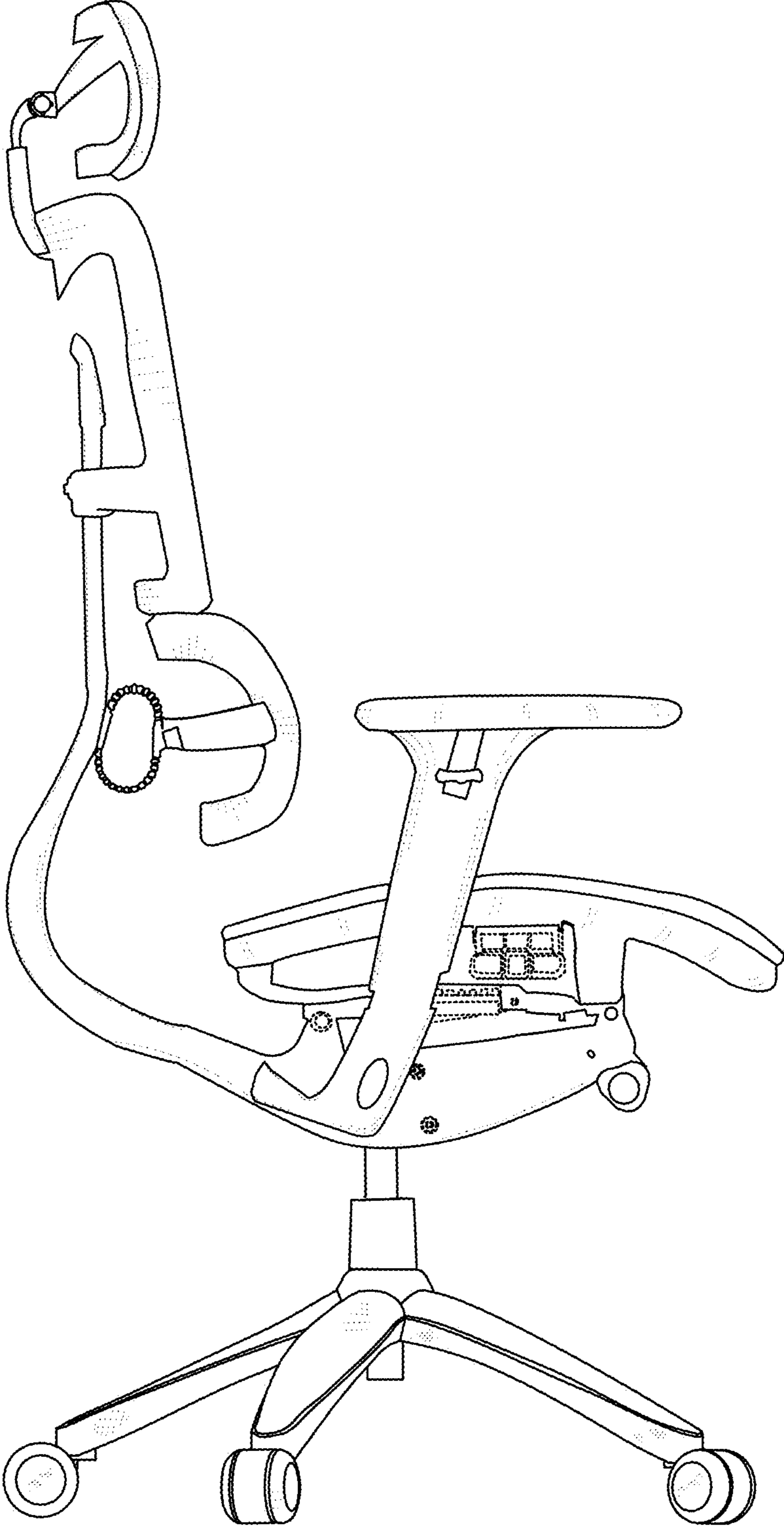


FIG.4

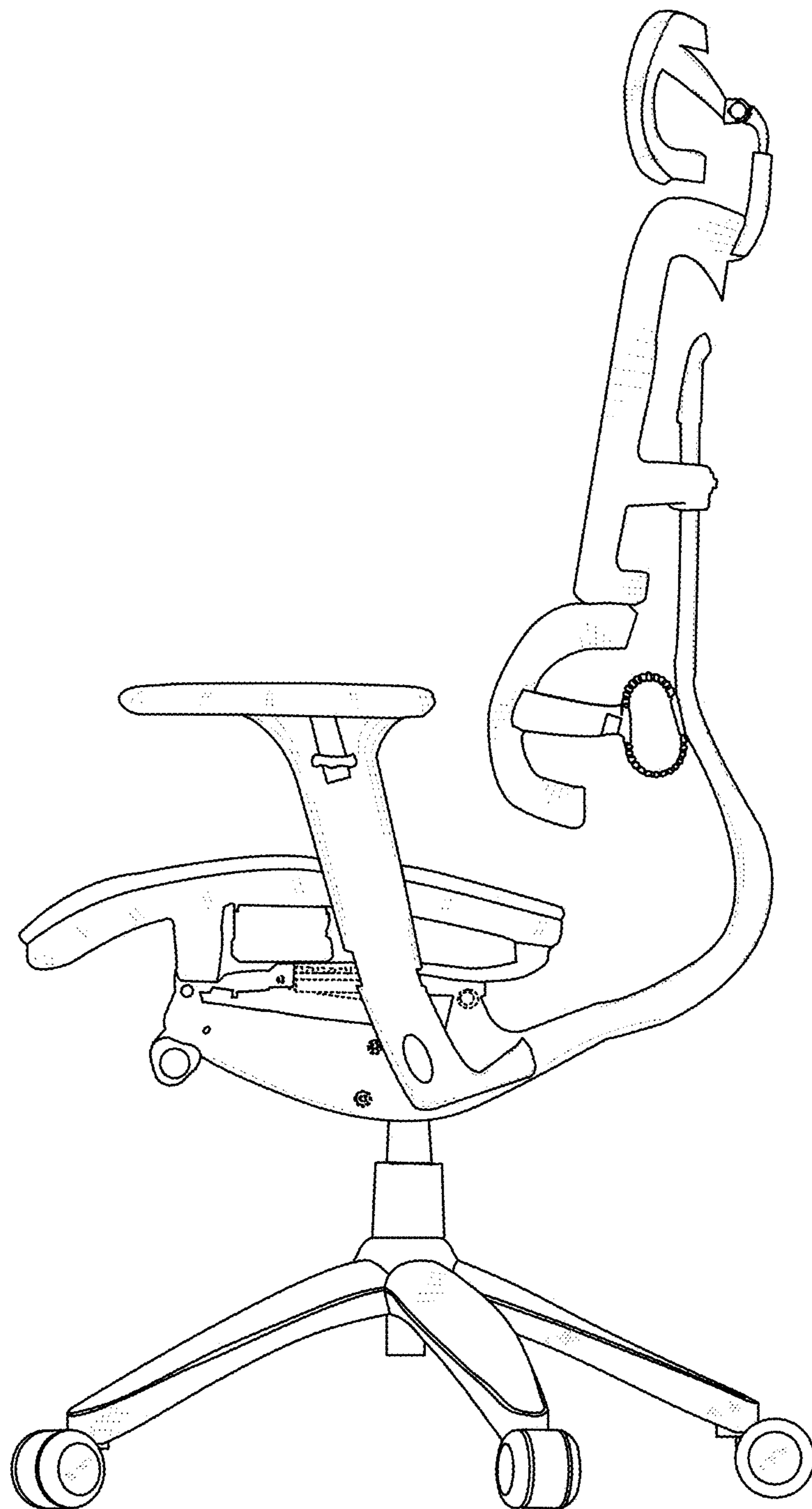


FIG.5

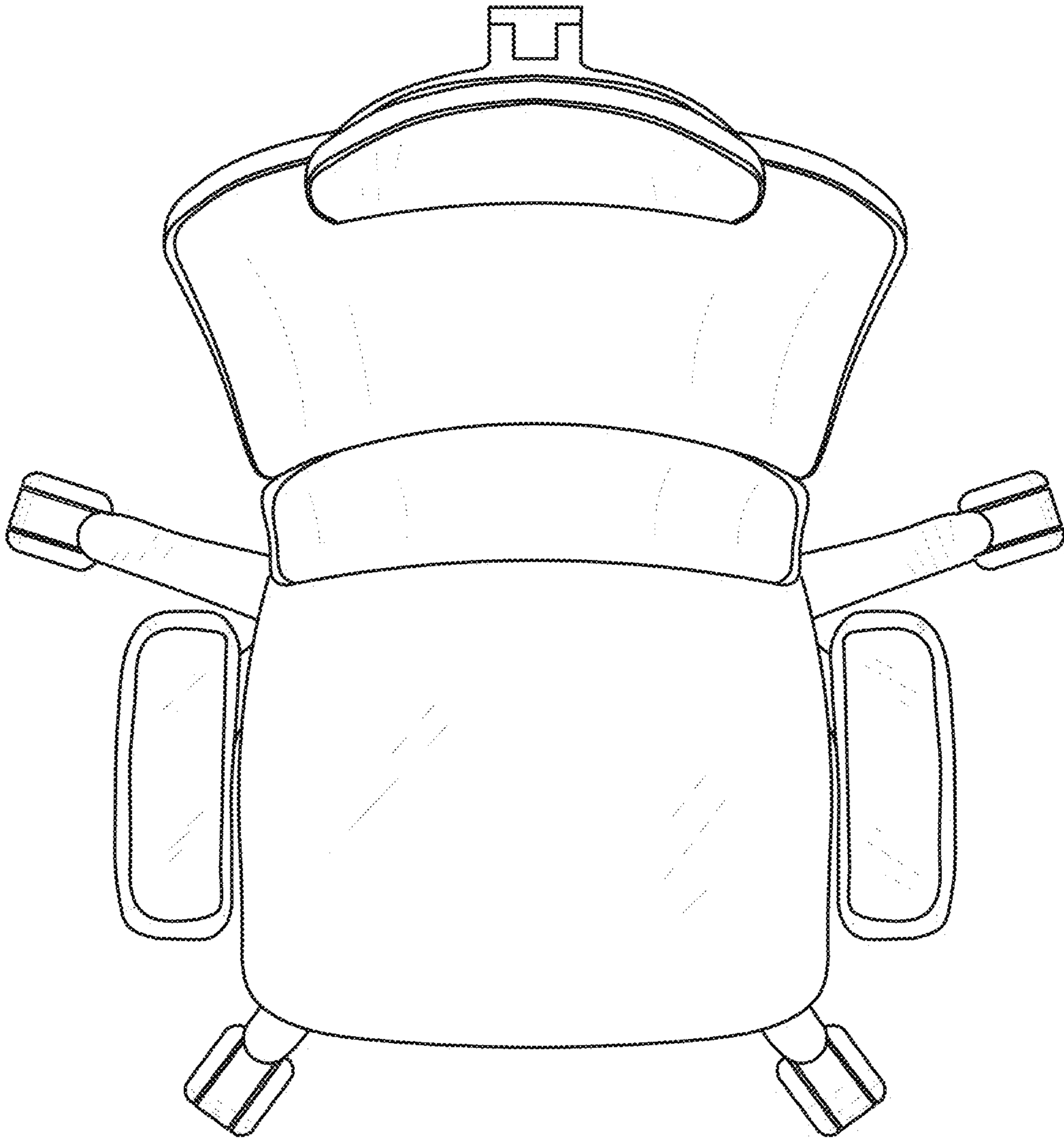


FIG.6

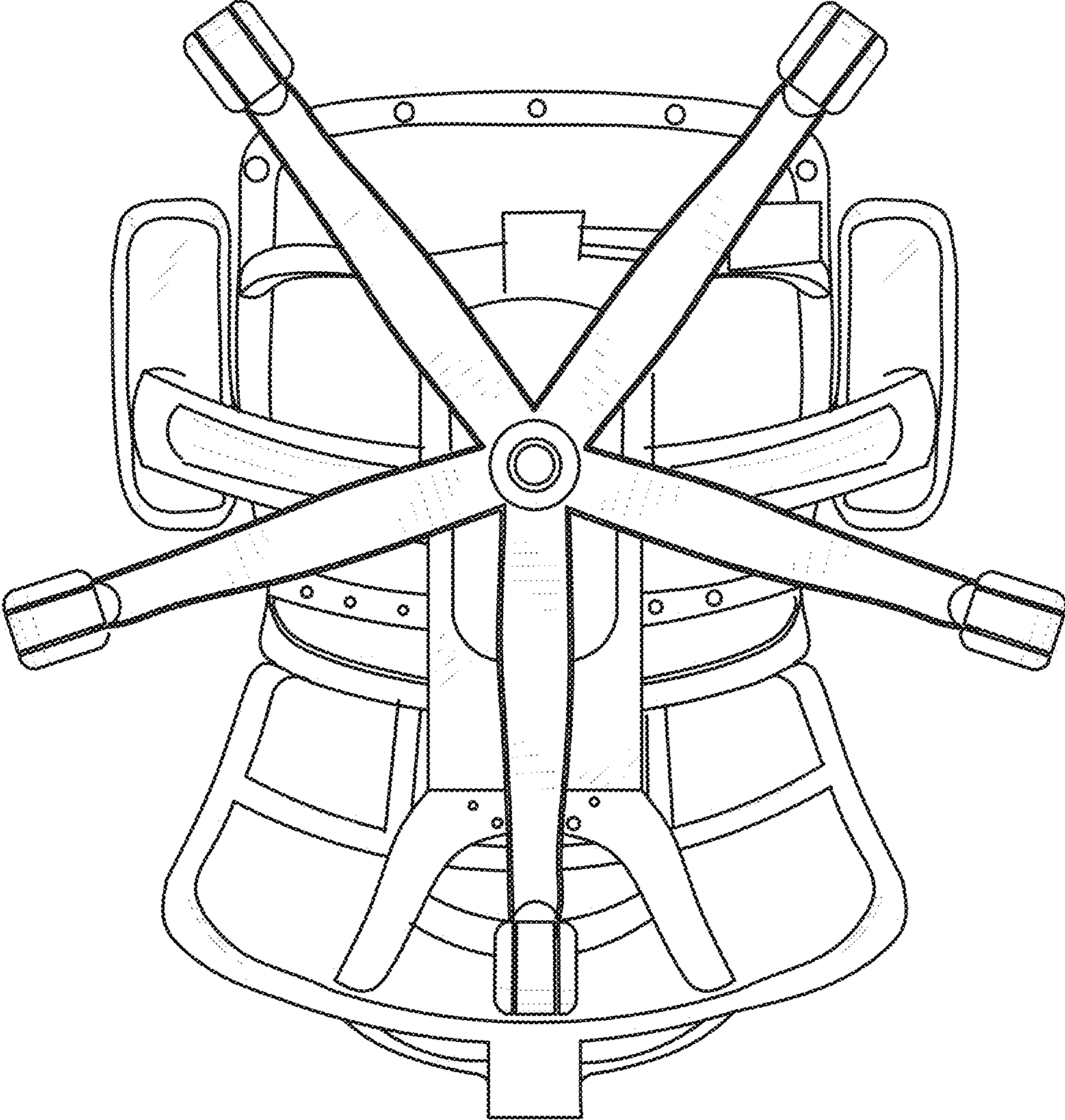


FIG. 7