

US00D874841S

(12) **United States Design Patent**  
**Moburg**

(10) **Patent No.:** **US D874,841 S**

(45) **Date of Patent:** **\*\* Feb. 11, 2020**

- (54) **SEAT**
- (71) Applicant: **HONDA MOTOR CO., LTD.**,  
Minato-ku, Tokyo (JP)
- (72) Inventor: **Frank Moburg**, Orange, CA (US)
- (73) Assignee: **HONDA MOTOR CO., LTD.**, Tokyo  
(JP)
- (\*\*) Term: **15 Years**
- (21) Appl. No.: **29/633,317**
- (22) Filed: **Jan. 12, 2018**
- (51) **LOC (12) Cl.** ..... **06-01**
- (52) **U.S. Cl.**  
USPC ..... **D6/356**
- (58) **Field of Classification Search**  
USPC ..... D6/356, 360, 364, 365; D21/521, 533,  
D21/548  
CPC .... A61H 2201/0149; B60N 2/06; B60N 2/20;  
B60N 2/22; B60N 2/58; B60N 2/68;  
B60N 2/80; B60N 2/643; B60N 2/888;  
B60N 2/859; B60N 2/1615; B60N  
2/7035; B60N 2/42745; B60N 2002/0272;  
B60N 2205/35  
See application file for complete search history.

(56) **References Cited**

**U.S. PATENT DOCUMENTS**

- D615,311 S \* 5/2010 Fleming ..... D6/356
- 8,100,472 B2 \* 1/2012 Humer ..... B60N 2/4228  
297/216.12
- 8,215,810 B2 \* 7/2012 Welch, Sr. .... B60R 13/00  
362/488
- D696,035 S \* 12/2013 Hatter ..... D6/356
- D752,353 S \* 3/2016 Owaku ..... D6/356
- 9,637,035 B2 \* 5/2017 Abe ..... B60N 2/646

- D790,241 S \* 6/2017 Yoon ..... D6/356
- 9,682,644 B2 \* 6/2017 Fujita ..... B60N 2/7011
- 9,718,387 B2 \* 8/2017 Line ..... B60N 2/68
- D830,713 S \* 10/2018 Iida ..... D6/356
- D839,161 S \* 1/2019 Ma ..... D12/195
- D839,620 S \* 2/2019 Lauter ..... D6/356
- D839,621 S \* 2/2019 Lauter ..... D6/356
- 10,195,973 B2 \* 2/2019 Matsushima ..... B60N 2/58
- 10,202,057 B2 \* 2/2019 Makita ..... A47C 31/02
- 10,232,747 B2 \* 3/2019 Line ..... B60N 2/3011
- 2017/0349133 A1 \* 12/2017 Line ..... B60N 2/42745

\* cited by examiner

*Primary Examiner* — Kevin K Rudzinski

*Assistant Examiner* — Paul D Bohannon

(74) *Attorney, Agent, or Firm* — Arent Fox LLP

(57) **CLAIM**

The ornamental design for a seat, as shown and described.

**DESCRIPTION**

FIG. 1 is a rear top left perspective view of a seat showing my new design;  
 FIG. 2 is a rear top right perspective view of the design shown in FIG. 1;  
 FIG. 3 is a front top right perspective view of the design shown in FIG. 1;  
 FIG. 4 is a front top left perspective view of the design shown in FIG. 1;  
 FIG. 5 is a rear view of the design shown in FIG. 1;  
 FIG. 6 is a front view of the design shown in FIG. 1;  
 FIG. 7 is a right side view of the design shown in FIG. 1;  
 FIG. 8 is a left side view of the design shown in FIG. 1;  
 FIG. 9 is a top view of the design shown in FIG. 1; and,  
 FIG. 10 is a bottom view of the design shown in FIG. 1.  
 The broken lines illustrate portions of the seat that form no part of the claimed design.

**1 Claim, 10 Drawing Sheets**





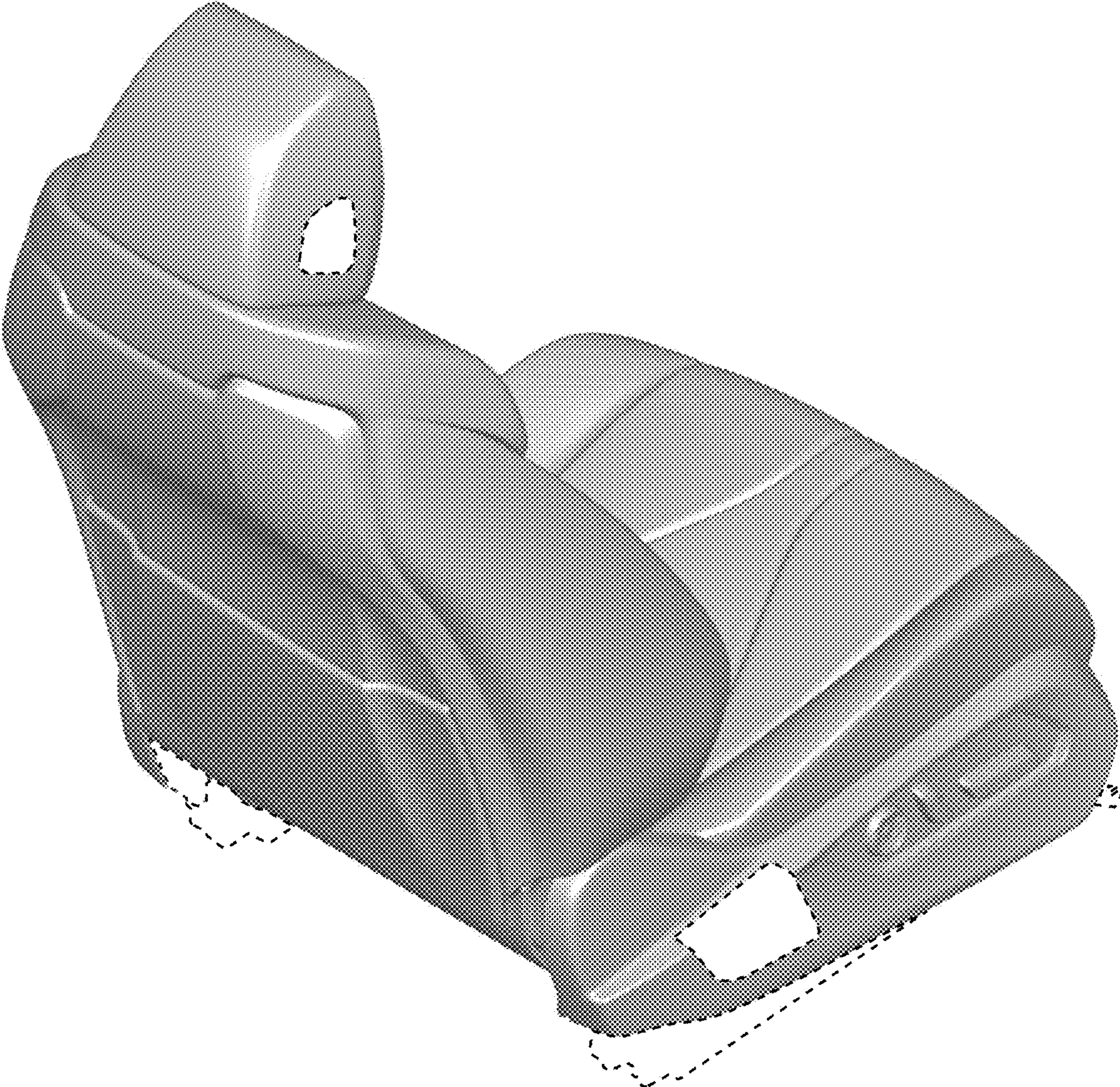


FIG. 1



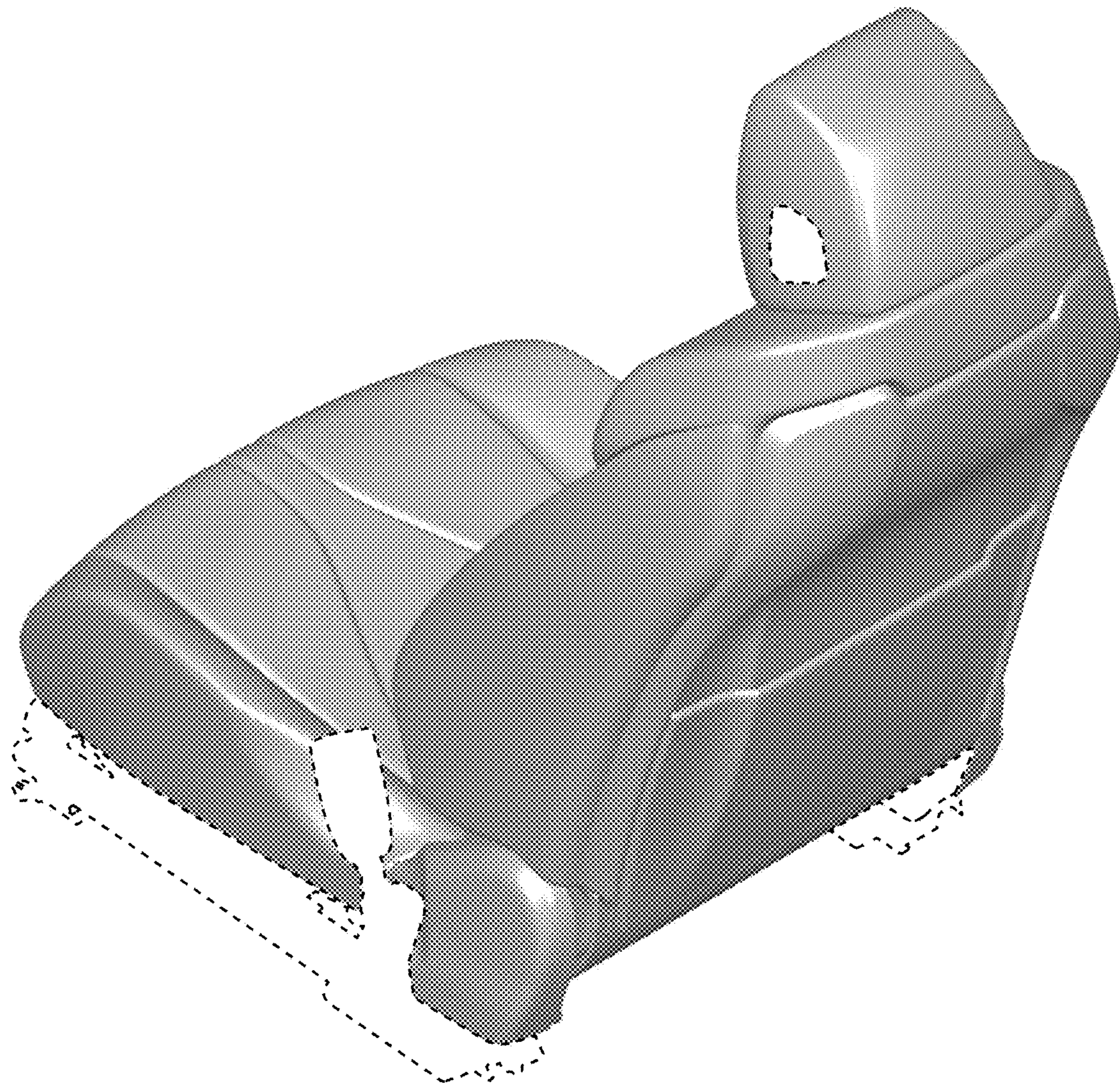


FIG. 2





FIG. 3





FIG. 4



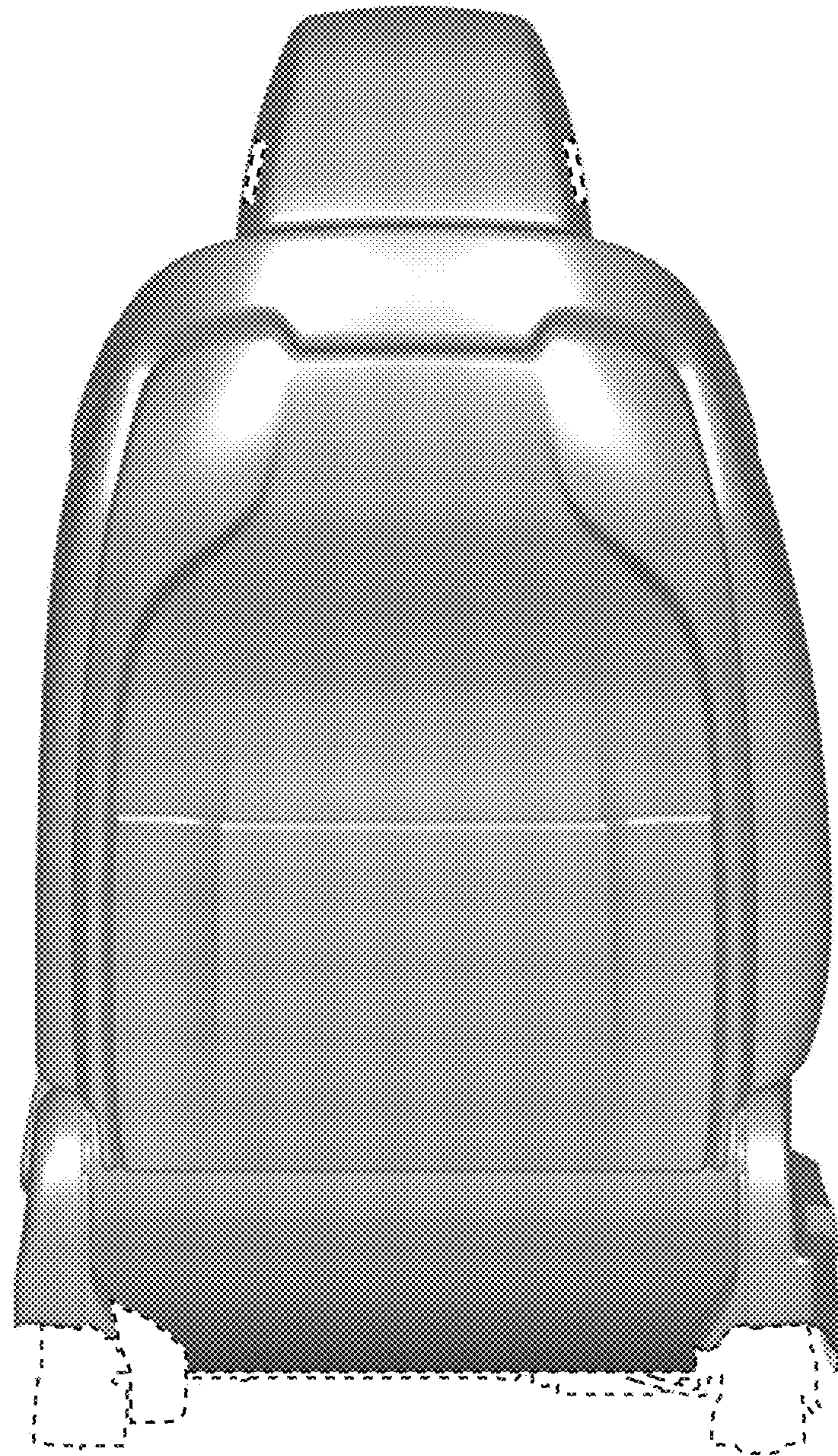


FIG. 5



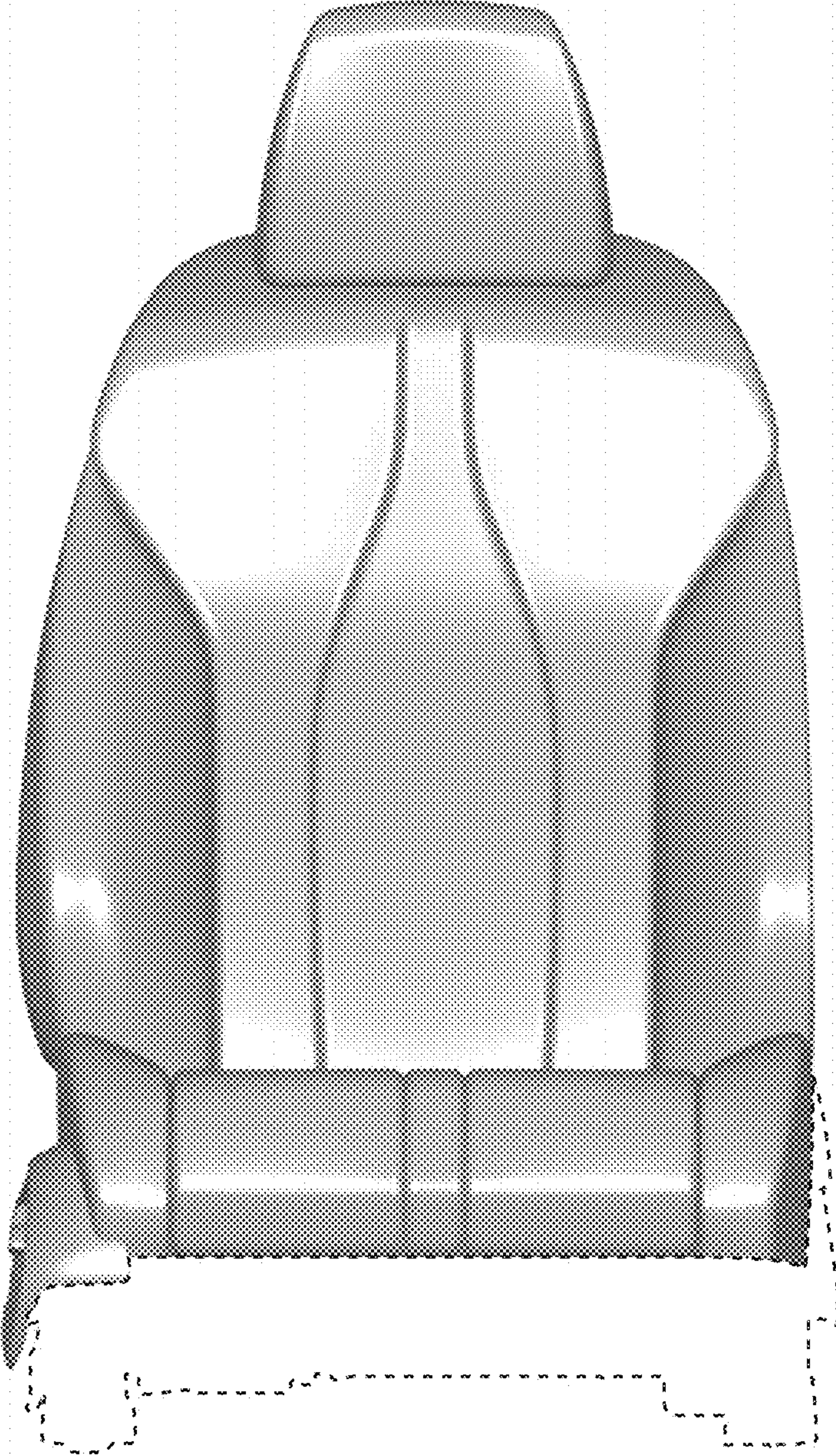


FIG. 6

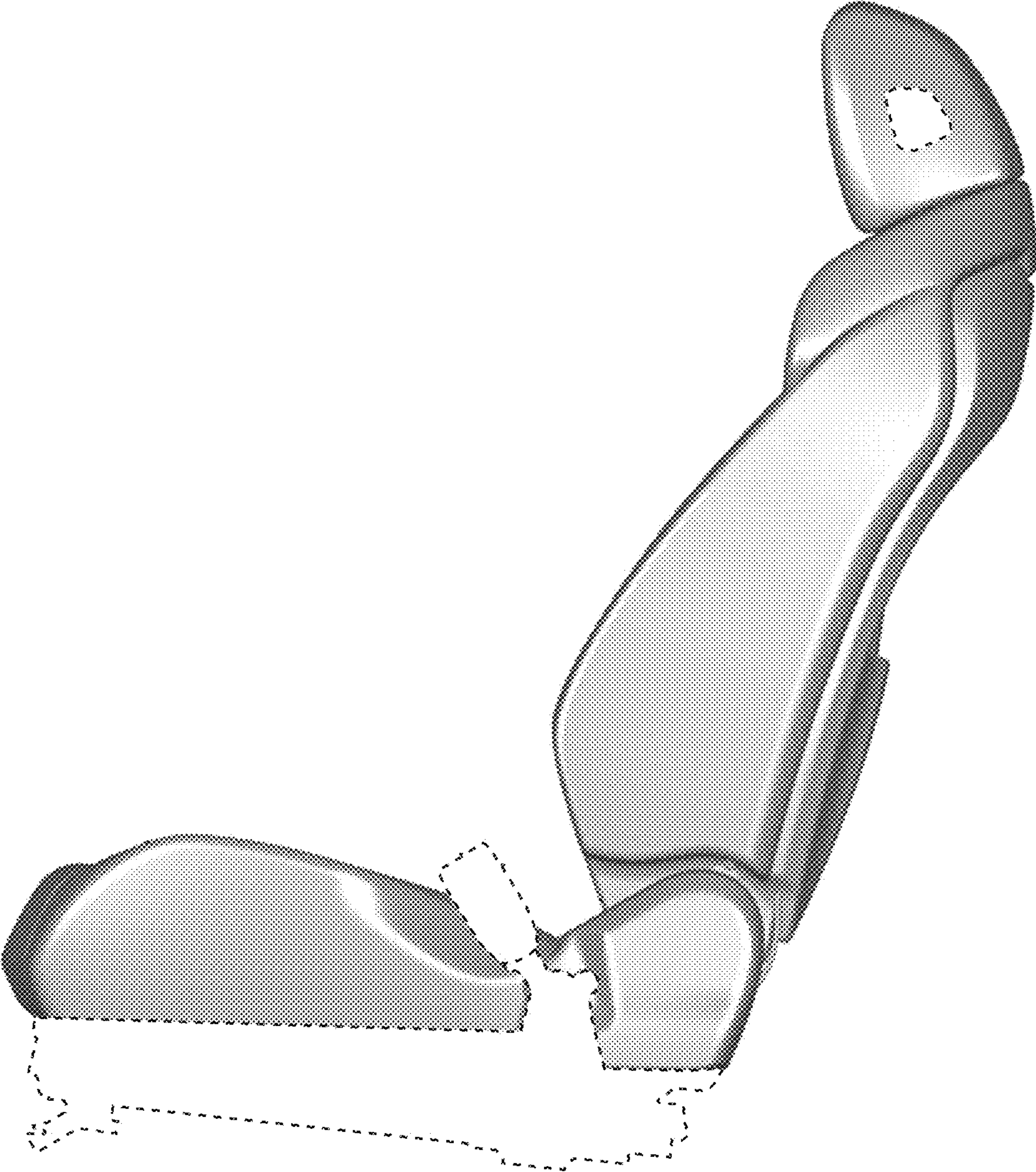


FIG. 7



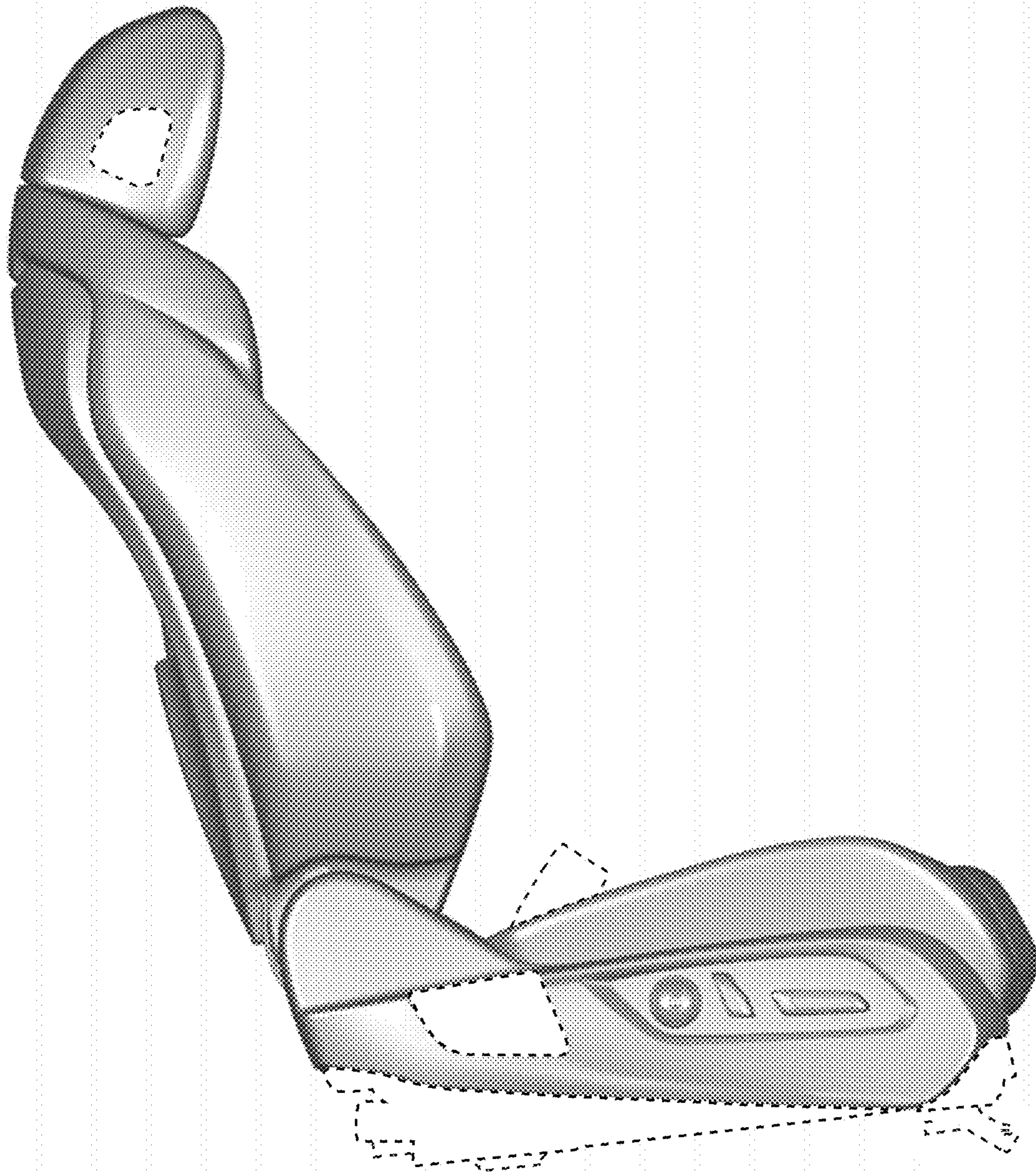


FIG. 8





FIG. 9



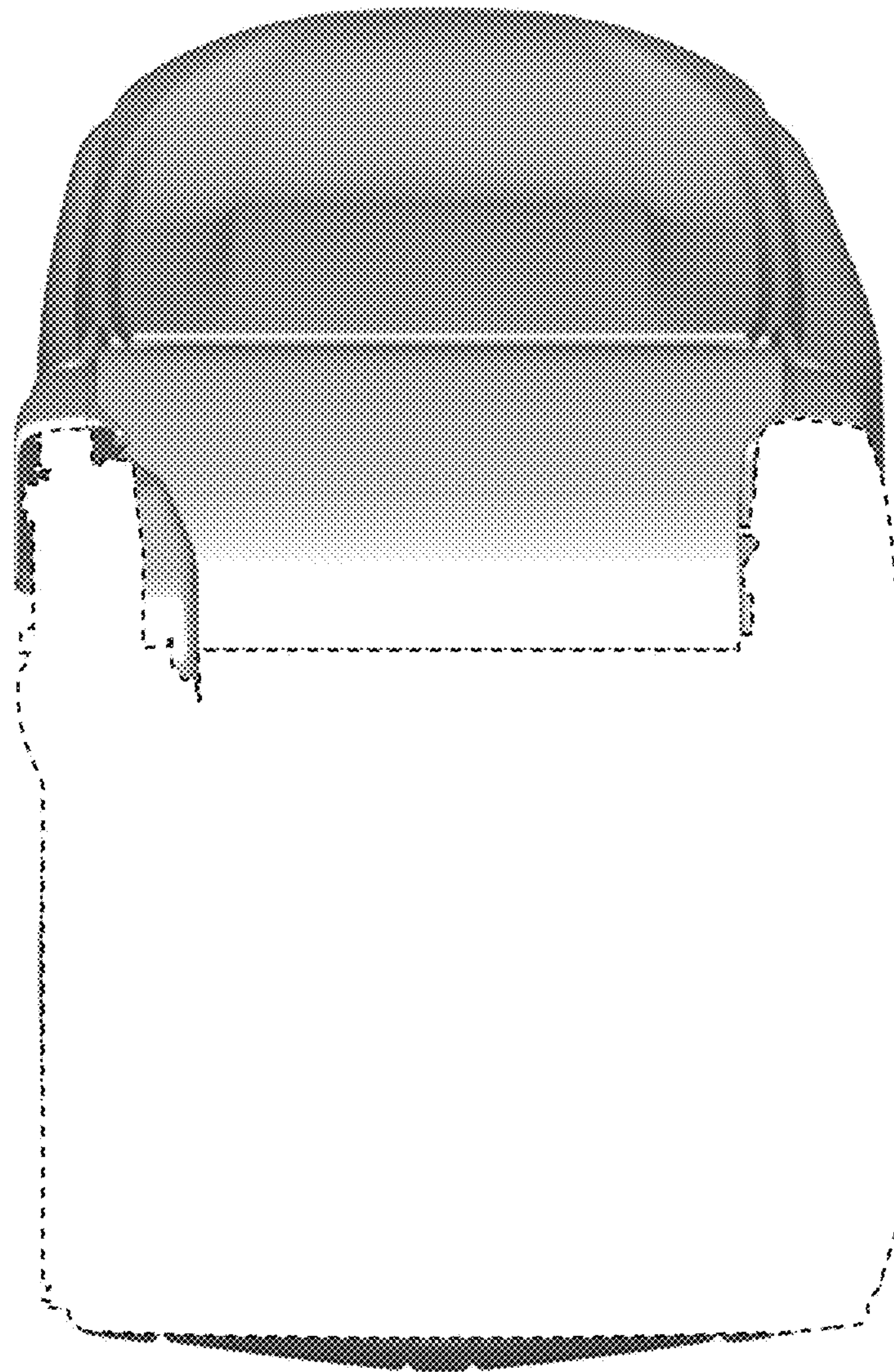


FIG. 10