



US00D874840S

(12) **United States Design Patent**
Krouwel

(10) **Patent No.:** **US D874,840 S**

(45) **Date of Patent:** **** Feb. 11, 2020**

(54) **BENCH**

(71) Applicant: **STREETLIFE BV**, Leiden (NL)

(72) Inventor: **P. J. W. Krouwel**, Leiden (NL)

(**) Term: **15 Years**

(21) Appl. No.: **35/506,028**

(22) Filed: **Sep. 12, 2018**

(80) **Hague Agreement Data**

Int. Filing Date: **Sep. 12, 2018**

Int. Reg. No.: **DM/103587**

Int. Reg. Date: **Sep. 12, 2018**

Int. Reg. Pub. Date: **Nov. 16, 2018**

(51) **LOC (12) Cl.** **06-01**

(52) **U.S. Cl.**
USPC **D6/349**

(58) **Field of Classification Search**
USPC D6/349, 352, 353, 354, 355, 370, 371,
D6/381
CPC A47C 11/00
See application file for complete search history.

(56) **References Cited**

U.S. PATENT DOCUMENTS

D213,496 S *	3/1969	Wormser	D6/349
D214,042 S *	5/1969	Henebry et al.	D6/381
D214,440 S *	6/1969	Henebry et al.	D6/349
D214,740 S *	7/1969	Douglas	D6/349
3,722,431 A *	3/1973	Howard	A47B 3/00 108/157.13
D253,142 S *	10/1979	Herman	297/232
D313,128 S *	12/1990	Serafini	D6/338
D357,364 S *	4/1995	Dionne	D6/335
D365,937 S *	1/1996	Skalka	D6/349

D453,424 S *	2/2002	Stewart	D6/349
D505,559 S *	5/2005	Sun	D6/349
D521,763 S *	5/2006	Wilmotte	D6/349
7,252,331 B1 *	8/2007	Walton	A47C 11/00 297/232
D578,783 S *	10/2008	Skalka	D6/355
D582,169 S *	12/2008	Skalka	D6/355
D704,941 S *	5/2014	Anderson	D6/349
D713,190 S *	9/2014	Behar	D6/370
D714,561 S *	10/2014	Lange	D6/349
D743,707 S *	11/2015	Simitian	D6/349
D753,419 S *	4/2016	Heirakuji	D6/675
9,456,697 B2 *	10/2016	Simitian	A47C 7/16
D798,073 S *	9/2017	Asner	D6/349
D810,476 S *	2/2018	Heirakuji	D6/675
D832,606 S *	11/2018	Shemer	D6/349
D839,617 S *	2/2019	Tarraso Climent	D6/349

* cited by examiner

Primary Examiner — Deanna L Pratt

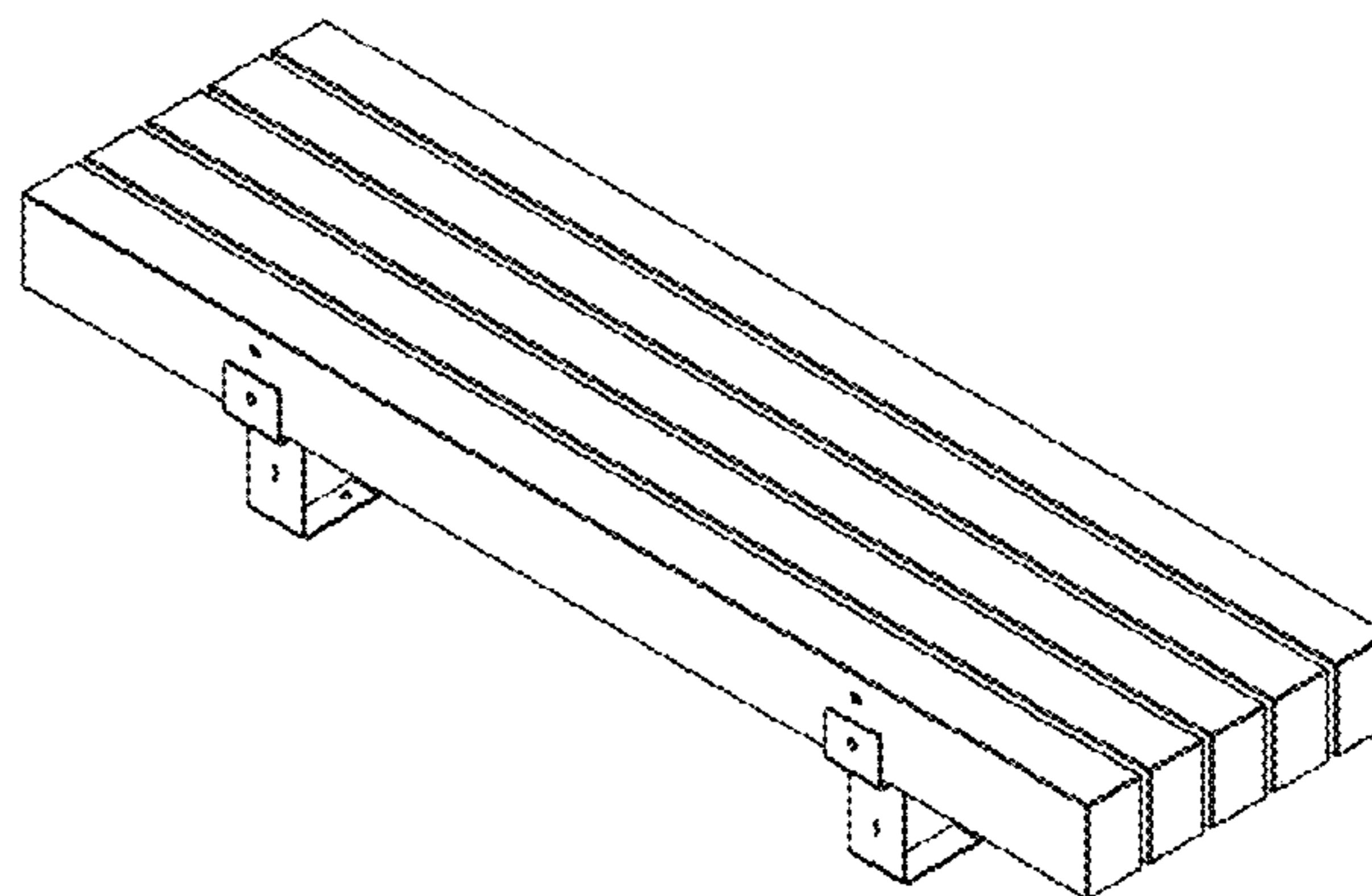
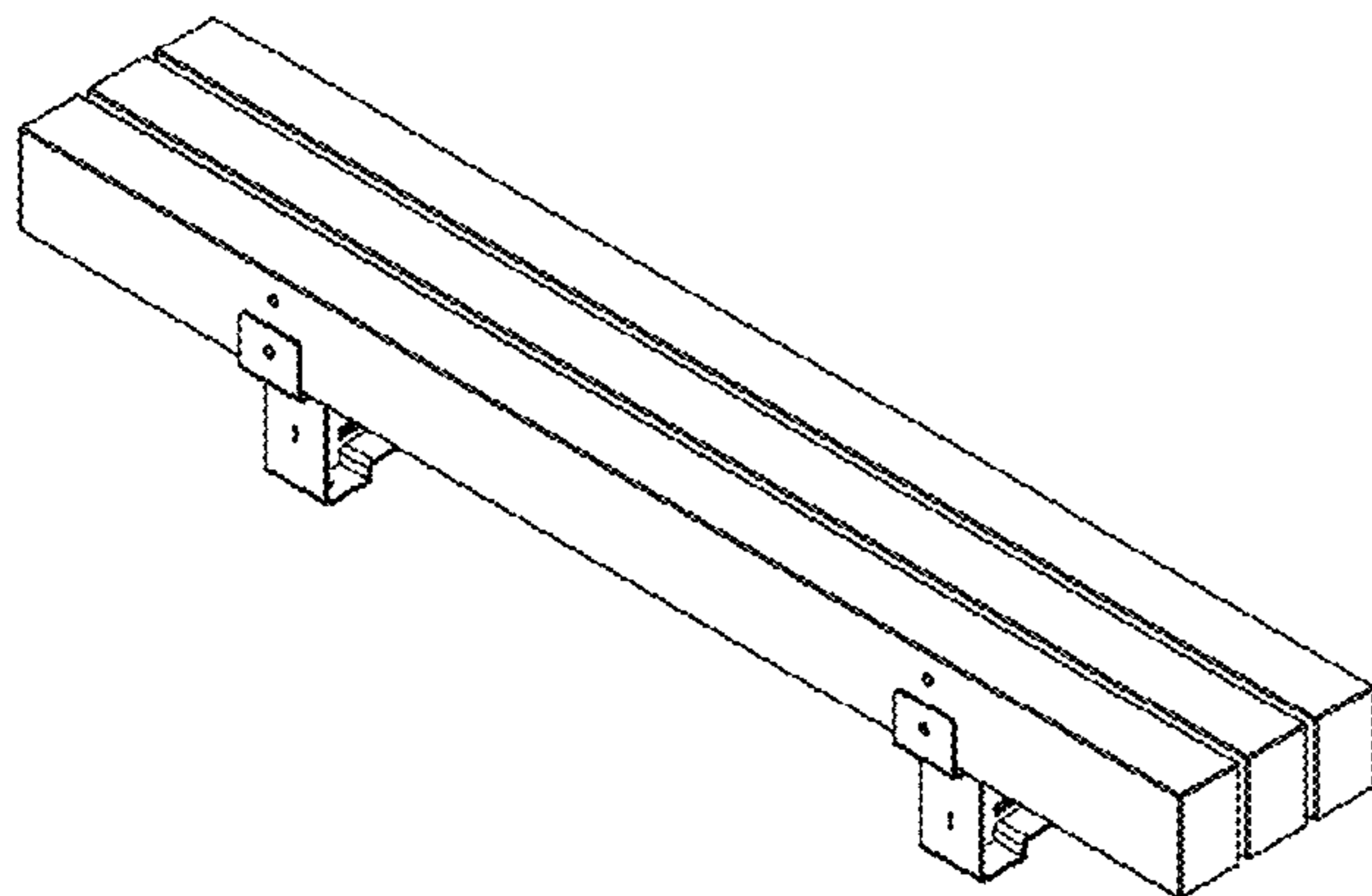
(57) **CLAIM**

The ornamental design for bench, as shown and described.

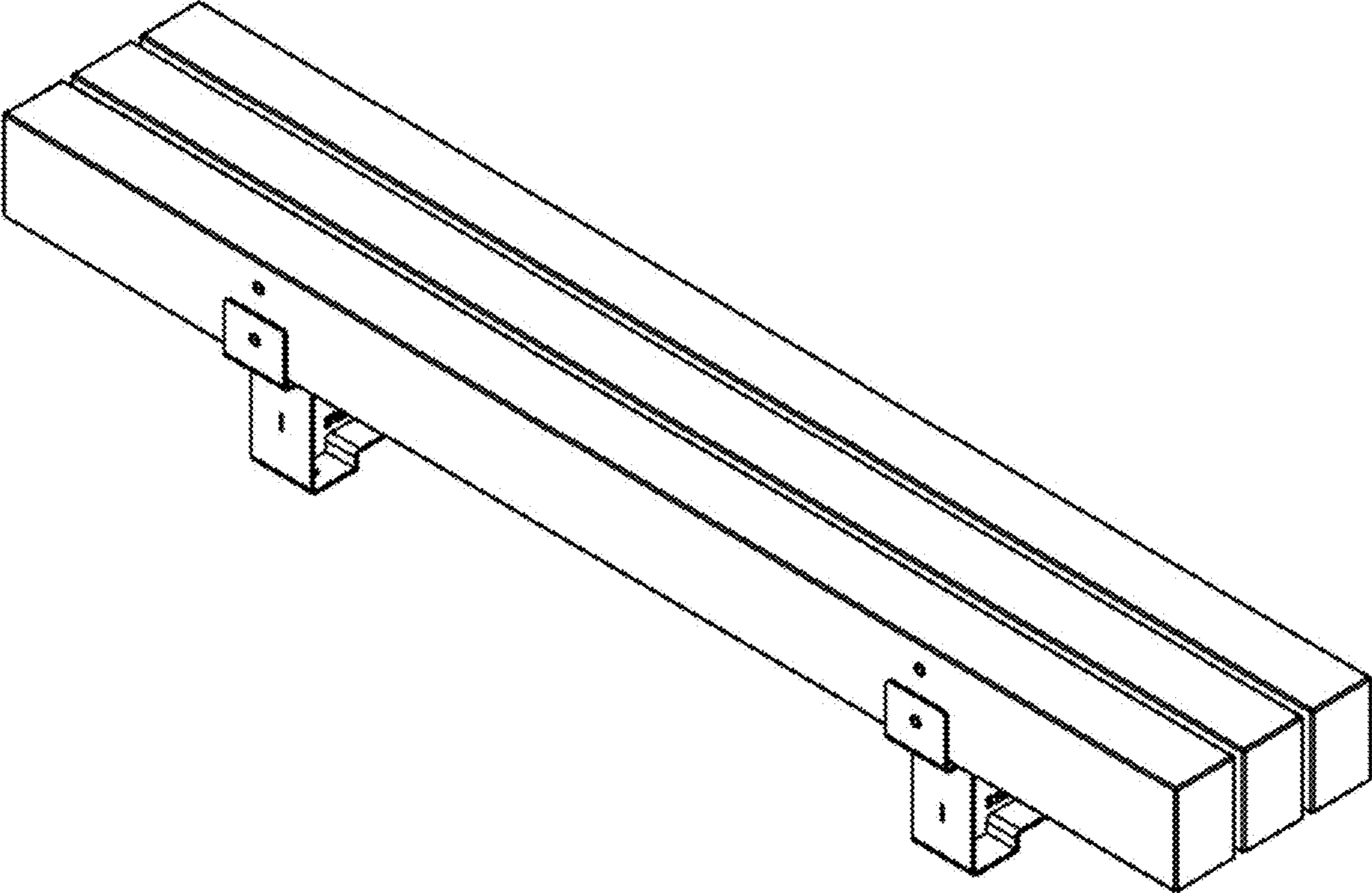
DESCRIPTION

- 1.-3. Bench
- 1.1: Perspective
- 1.2: Side
- 1.3: Front
- 1.4: Top
- 1.5: Rear
- 1.6: Front
- 2.1: Side
- 2.2: Perspective
- 2.3: Top
- 3.1: Top
- 3.2: Side
- 3.3: Perspective

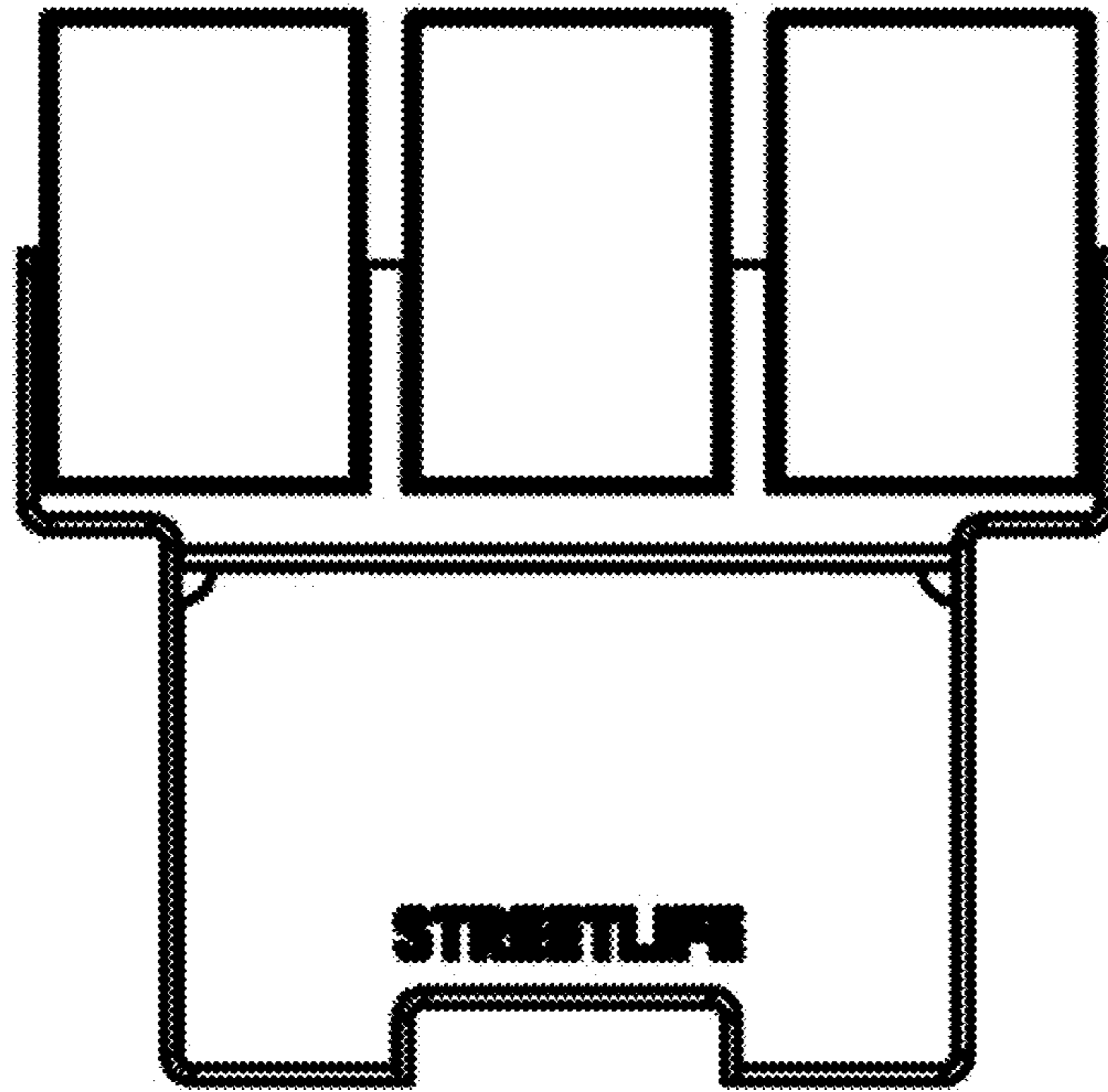
1 Claim, 12 Drawing Sheets



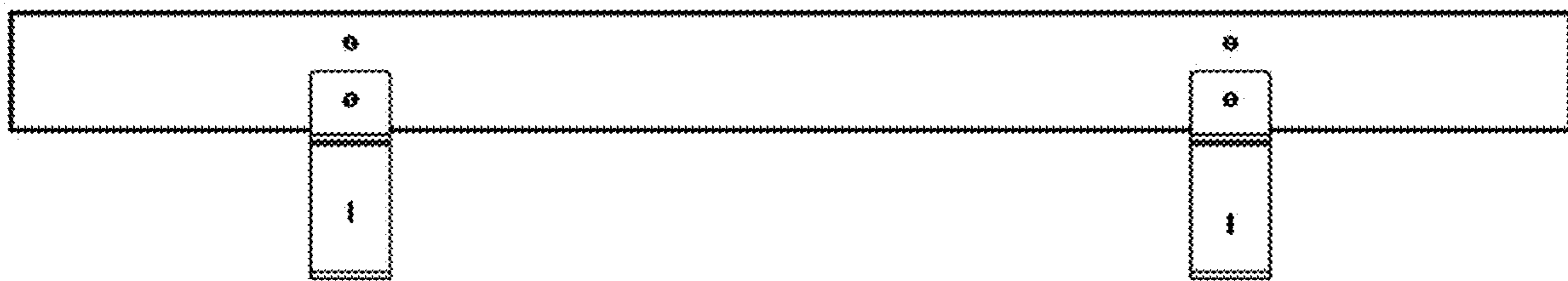
1.1



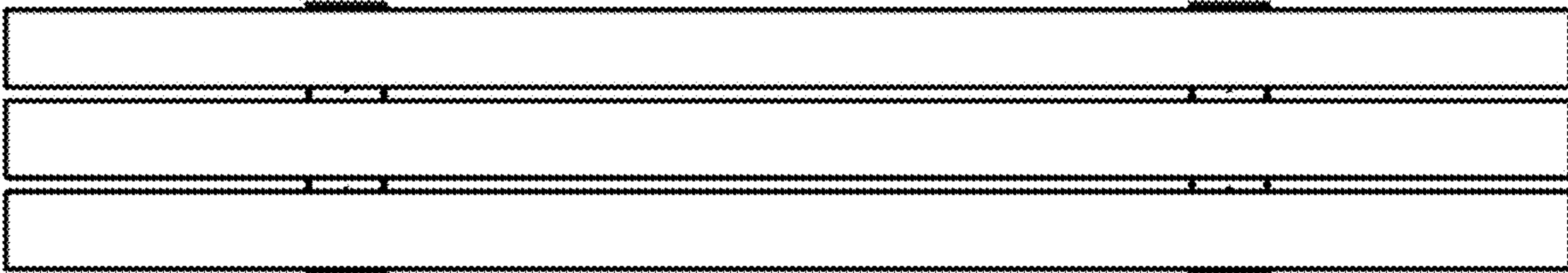
1.2



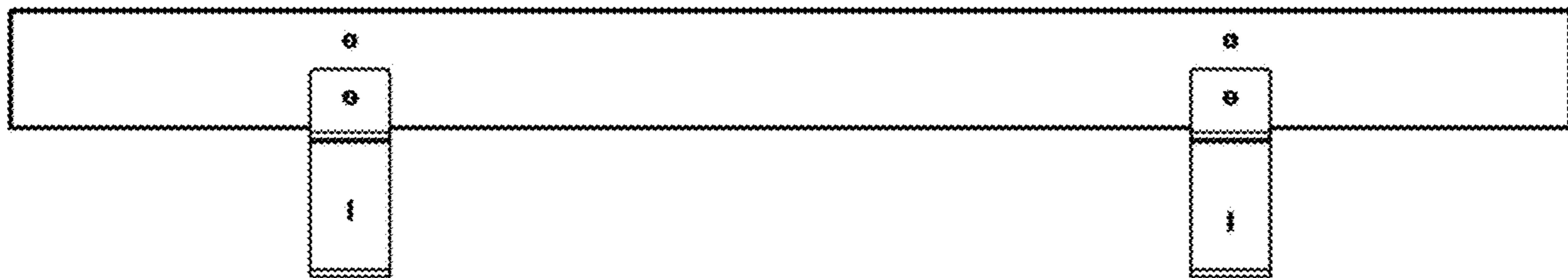
1.3



1.4



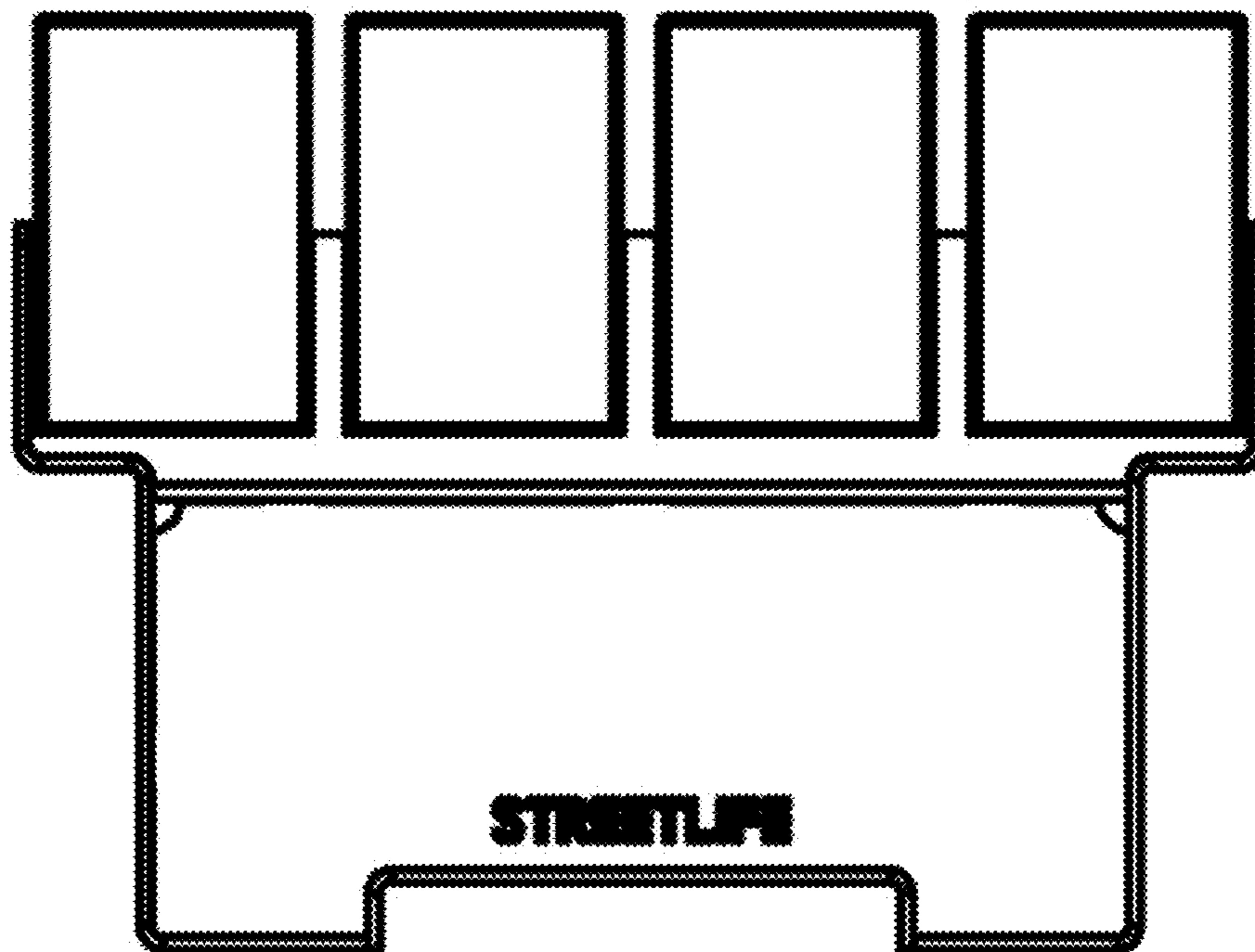
1.5



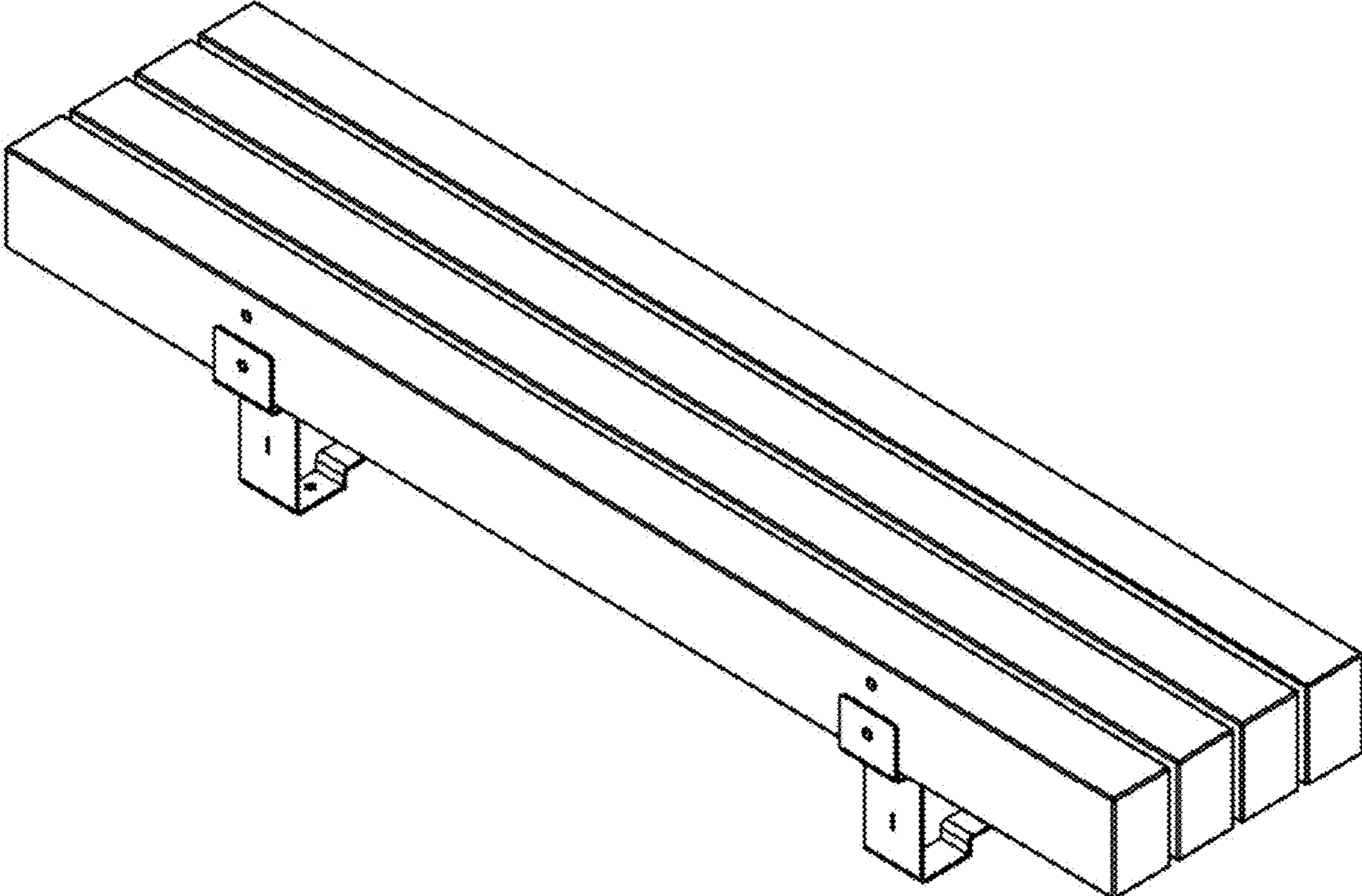
1.6



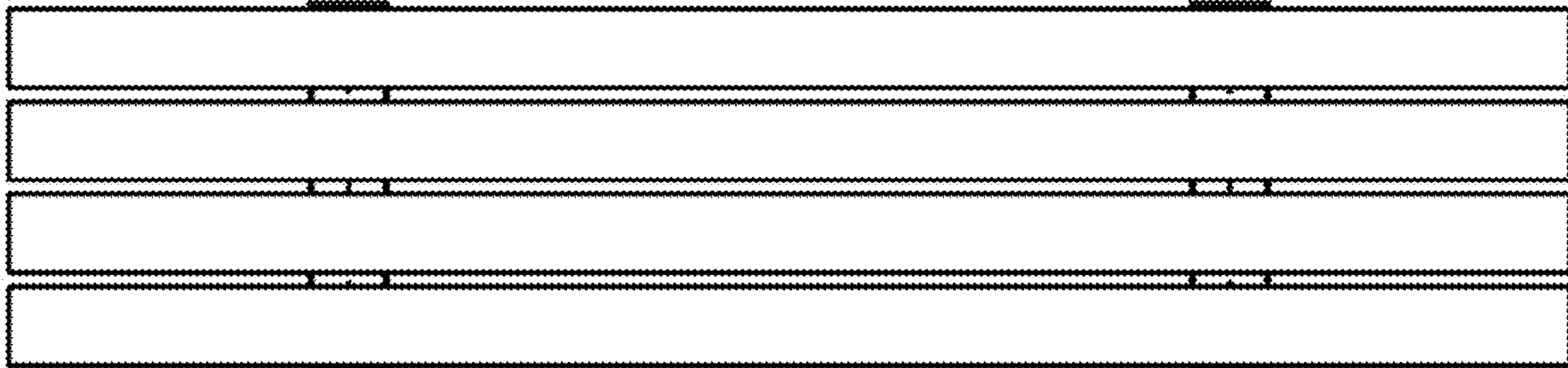
2.1



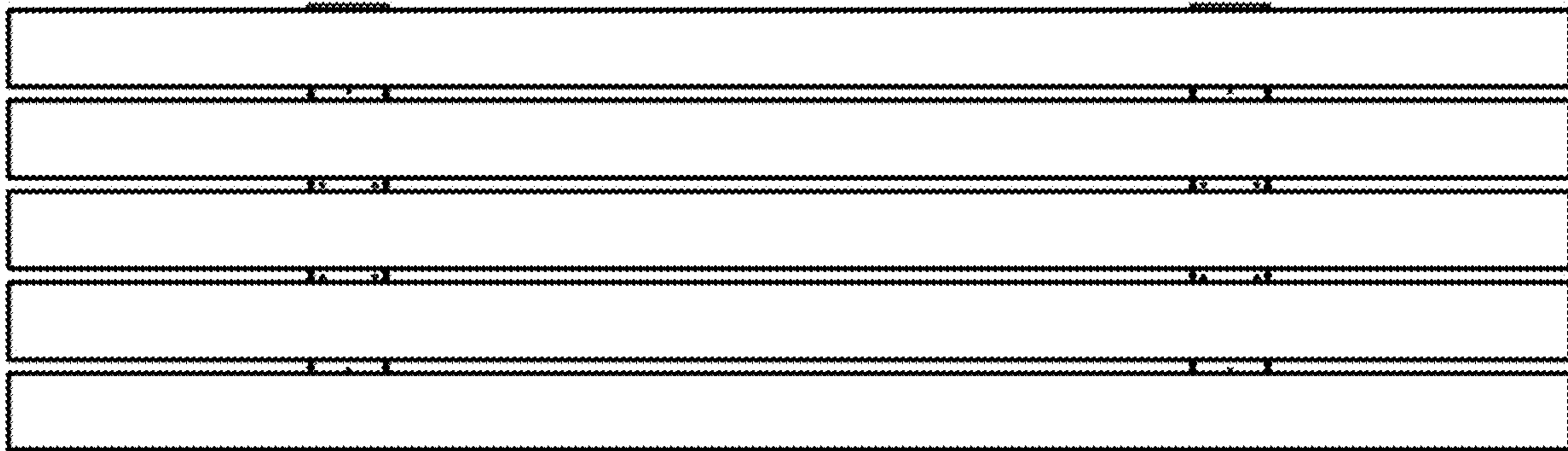
2.2



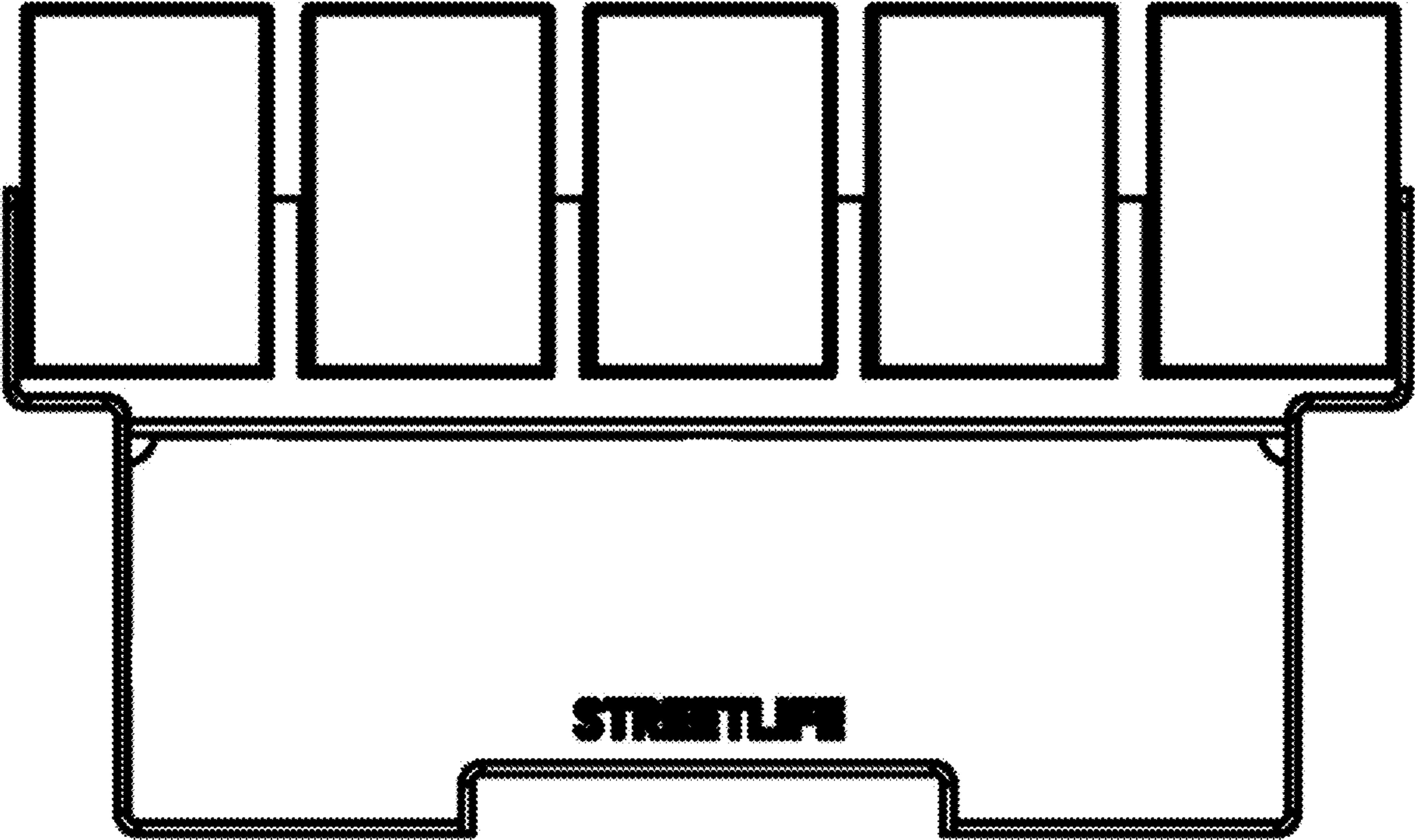
2.3



3.1



3.2



3.3

