



US00D874839S

(12) **United States Design Patent**  
**Krouwel**

(10) **Patent No.:** **US D874,839 S**

(45) **Date of Patent:** **\*\* Feb. 11, 2020**

(54) **SET OF A TABLE AND BENCHES FOR OUTDOOR USE**

(71) Applicant: **STREETLIFE BV**, Leiden (NL)

(72) Inventor: **P. J. W. Krouwel**, Leiden (NL)

(\*\*) Term: **15 Years**

(21) Appl. No.: **35/505,987**

(22) Filed: **Sep. 21, 2018**

(80) **Hague Agreement Data**

Int. Filing Date: **Sep. 21, 2018**

Int. Reg. No.: **DM/103405**

Int. Reg. Date: **Sep. 21, 2018**

Int. Reg. Pub. Date: **Nov. 9, 2018**

(51) **LOC (12) Cl.** ..... **06-01**

(52) **U.S. Cl.**  
USPC ..... **D6/337**

(58) **Field of Classification Search**  
USPC ..... D6/334-337, 349  
CPC ..... A47B 83/02; A47B 83/024; A47C 3/00;  
A47C 5/00; A47C 7/00; A47C 7/02;  
A47C 7/024

See application file for complete search history.

(56) **References Cited**

**U.S. PATENT DOCUMENTS**

- 2,579,934 A \* 12/1951 Krasney ..... A47B 3/14  
108/131
- D235,394 S \* 6/1975 Ruth ..... D6/337
- D416,693 S \* 11/1999 Kovalchek ..... D6/337
- 6,109,687 A \* 8/2000 Nye ..... A47B 3/0911  
297/139
- D442,788 S \* 5/2001 Nye ..... D6/337

- 6,968,790 B1 \* 11/2005 Kocsis ..... A47B 83/02  
108/157.1
- D581,173 S \* 11/2008 Skalka ..... A47B 83/02  
D6/337
- D812,386 S \* 3/2018 Asner ..... A47B 3/0911  
D6/337
- 10,085,555 B2 \* 10/2018 Prine, III ..... A47B 83/024
- 10,159,334 B1 \* 12/2018 Wang ..... A47B 3/14
- 2014/0008944 A1 \* 1/2014 Anderson ..... A47B 83/02  
297/158.4
- 2017/0340100 A1 \* 11/2017 Tsai ..... A47B 3/14

**OTHER PUBLICATIONS**

Trademark Serial No. 79143035, Jul. 10, 2013 (Applicant) Streetlife BV Trademark Electronic Service System (TESS).\*

Solid Picnic Sets—Streetlife <https://www.streetlife.nl/en/products/solid-picnic-sets> retrieved from the internet on Sep. 9, 2019.\*

X-Table Picnic Sets—Streetlife <https://www.streetlife.nl/en/products/x-table-picnic-sets> retrieved from the internet on Sep. 9, 2019.\*

Highlife III Picnic Sets—Streetlife <https://www.streetlife.nl/en/products/highlife-iii-picnic-sets> retrieved from the internet on Sep. 10, 2019.\*

\* cited by examiner

*Primary Examiner* — Mary Ann Calabrese

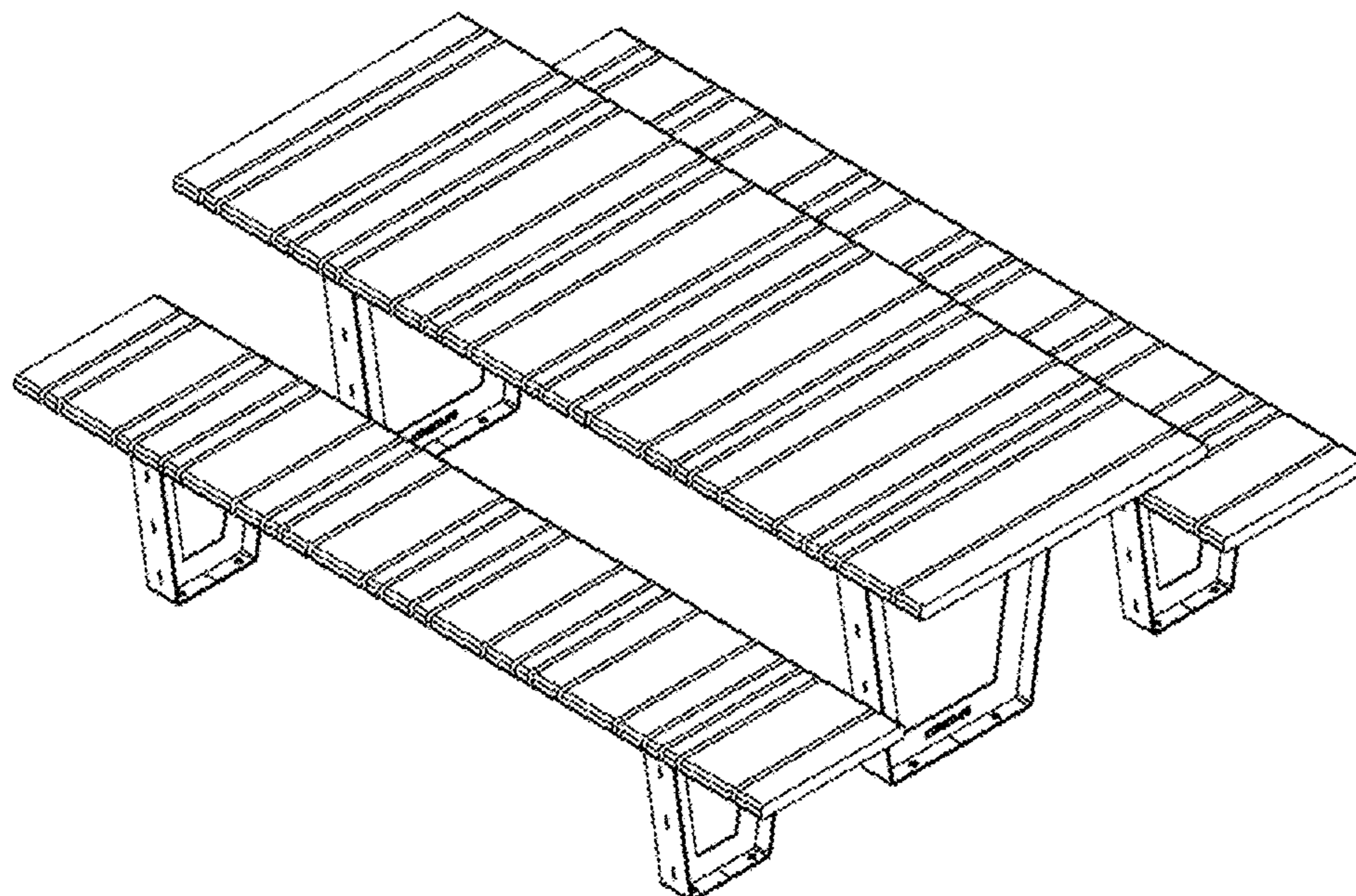
(57) **CLAIM**

The ornamental design for a set of a table and benches for outdoor use, as shown and described.

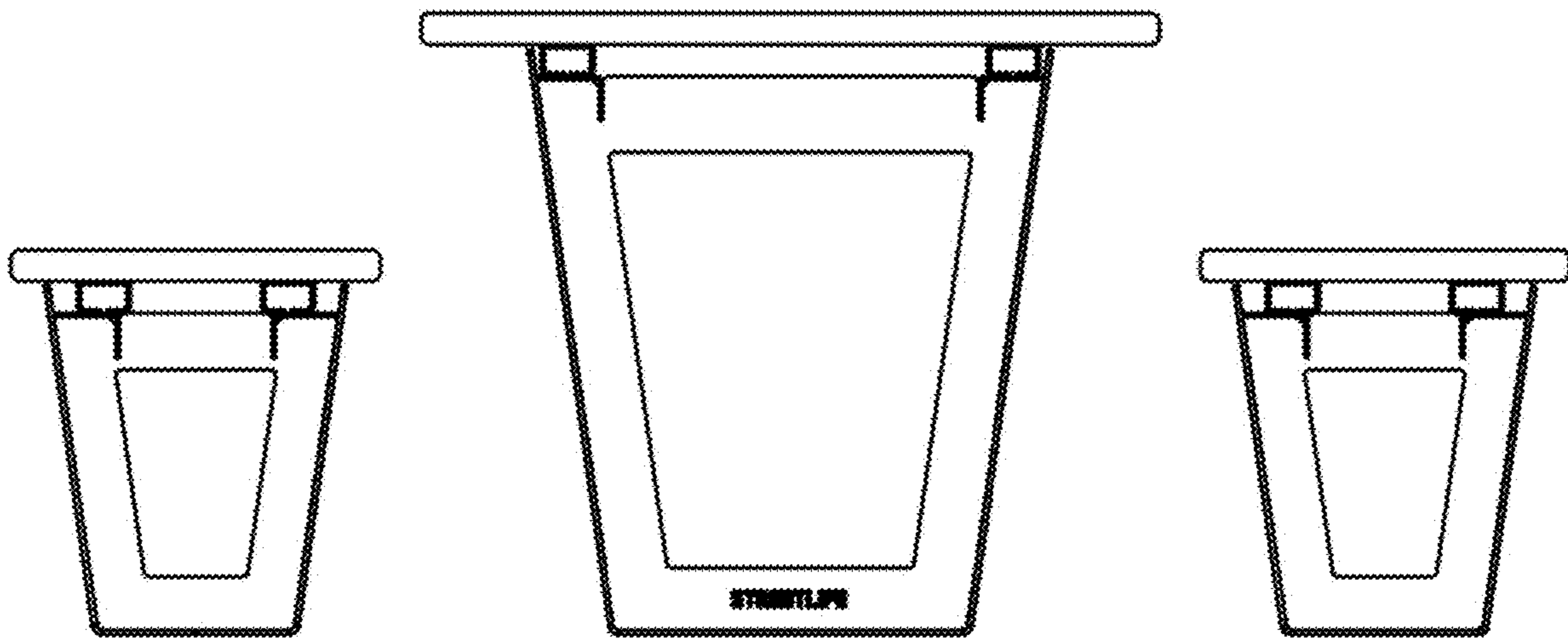
**DESCRIPTION**

- 1. Set of a table and benches for outdoor use
- 1.1 is a side view.
- 1.2 is a front view.
- 1.3 is a perspective view.
- 1.4 is a top view.

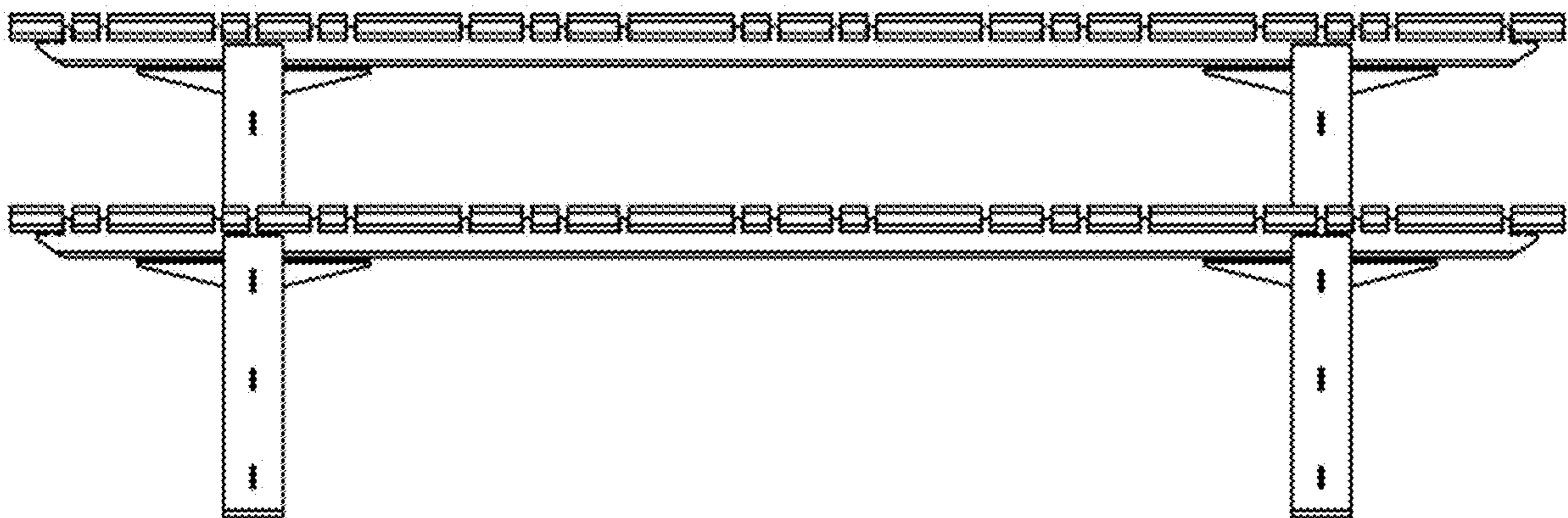
**1 Claim, 4 Drawing Sheets**



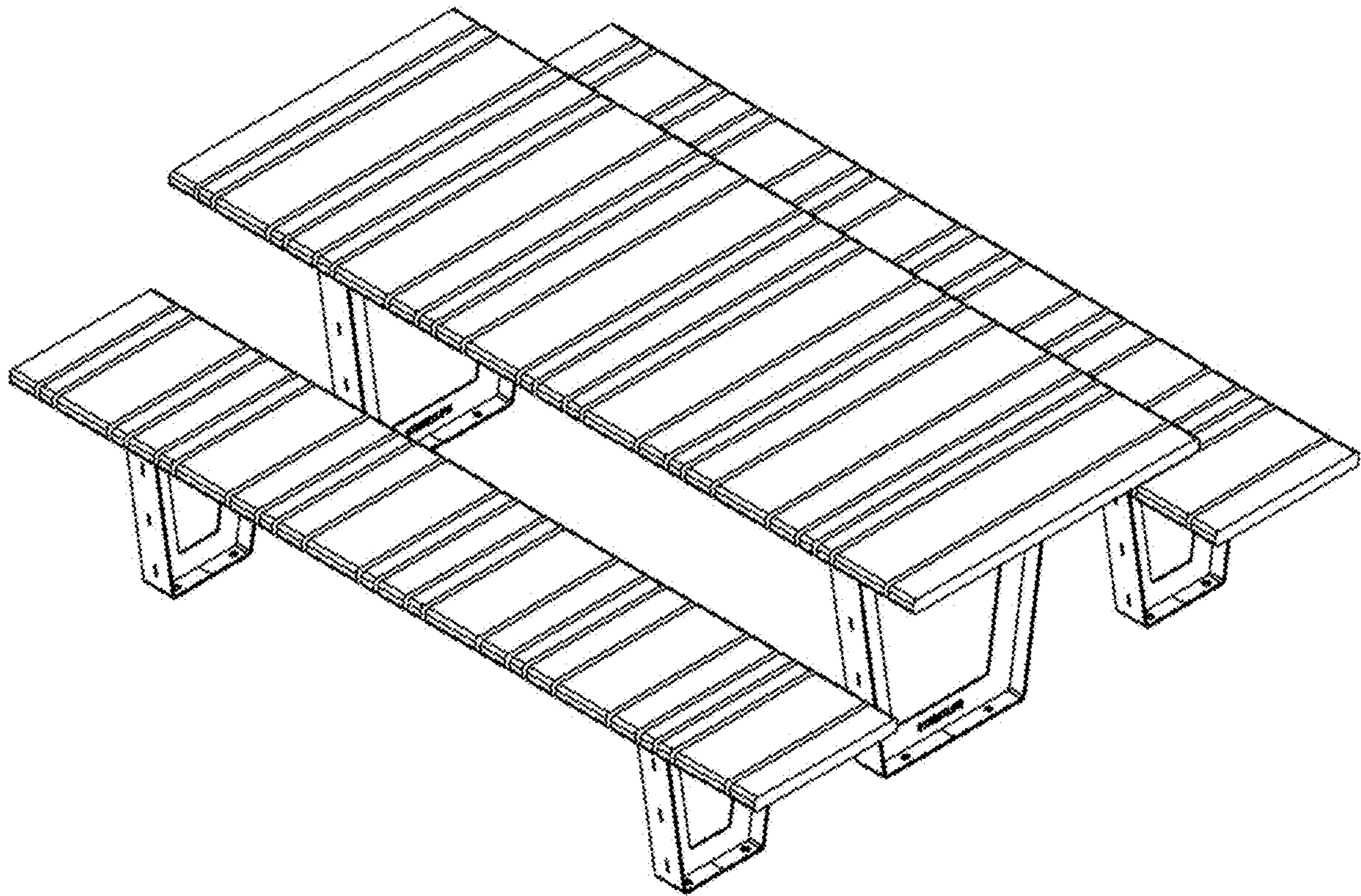
1.1



1.2



1.3



1.4

