



US00D874838S

(12) **United States Design Patent**
Potter

(10) **Patent No.:** **US D874,838 S**

(45) **Date of Patent:** **** Feb. 11, 2020**

(54) **MASSAGE CHAIR**

D741,072 S * 10/2015 Fernandez D6/335
D804,210 S * 12/2017 Borrás Pons D6/367

(71) Applicant: **HUMAN TOUCH, LLC**, Long Beach,
CA (US)

* cited by examiner

(72) Inventor: **David Potter**, Los Angeles, CA (US)

Primary Examiner — Shannon W Morgan

Assistant Examiner — Keith J Wilson

(73) Assignee: **HUMAN TOUCH, LLC**, Long Beach,
CA (US)

(74) *Attorney, Agent, or Firm* — Lewis Roca Rothgerber
Christie LLP

(**) Term: **15 Years**

(57) **CLAIM**

The ornamental design for massage chair, as shown and
described.

(21) Appl. No.: **29/569,879**

DESCRIPTION

(22) Filed: **Jun. 30, 2016**

(51) **LOC (12) Cl.** **06-01**

(52) **U.S. Cl.**

USPC **D6/336; D6/334**

(58) **Field of Classification Search**

USPC D6/334-336, 356, 367, 372, 375, 379,
D6/380, 384, 716, 716.1, 716.2, 716.7

CPC A47C 1/00; A47C 3/00; A47C 3/12; A47C
5/00; A47C 5/0125; A47C 7/00; A47C
7/02; A47C 7/16; A47C 7/36; A47C 7/40;
A47C 15/00; B60N 3/004; B60N 2/075;
B60N 2/4879; B60N 2/70; B64D 11/06

See application file for complete search history.

FIG. 1 is a front perspective view of a massage chair;
FIG. 2 is a front view of the massage chair of FIG. 1;
FIG. 3 is a side view of the massage chair of FIG. 1;
FIG. 4 is a rear view of the massage chair of FIG. 1;
FIG. 5 is a top view of the massage chair of FIG. 1;
FIG. 6 is a front perspective view of an alternate embodi-
ment of the massage chair of FIG. 1;
FIG. 7 is a front view of the massage chair of FIG. 6;
FIG. 8 is a left side view of the massage chair of FIG. 6;
FIG. 9 is a rear view of the massage chair of FIG. 6;
FIG. 10 is a top view of the massage chair of FIG. 6;
FIG. 11 is a front perspective view of another alternate
embodiment of the massage chair of FIG. 1;
FIG. 12 is a front view of the massage chair of FIG. 11;
FIG. 13 is a side view of the massage chair of FIG. 11;
FIG. 14 is a rear view of the massage chair of FIG. 11;
FIG. 15 is a top view of the massage chair of FIG. 11;
FIG. 16 is a front perspective view of another alternate
embodiment of the massage chair of FIG. 1;
FIG. 17 is a front view of the massage chair of FIG. 16;
FIG. 18 is a side view of the massage chair of FIG. 16;
FIG. 19 is a rear view of the massage chair of FIG. 16; and,
FIG. 20 is a top view of the massage chair of FIG. 16.

The regularly spaced broken lines represent stitching. The
short-short-long broken lines represent portions of a mas-
sage chair and form no part of claimed design.

(56) **References Cited**

U.S. PATENT DOCUMENTS

D442,375 S * 5/2001 Stammberger D6/335
D539,051 S * 3/2007 Dehli D6/367
D541,064 S * 4/2007 Miller D6/367
D571,110 S * 6/2008 Potter D6/335
D654,708 S * 2/2012 Figueras Mitjans D6/336
D699,960 S * 2/2014 Potter D6/367
D723,822 S * 3/2015 Cai D6/356
D724,339 S * 3/2015 Cai D6/356
D740,575 S * 10/2015 Scott D6/334

1 Claim, 20 Drawing Sheets

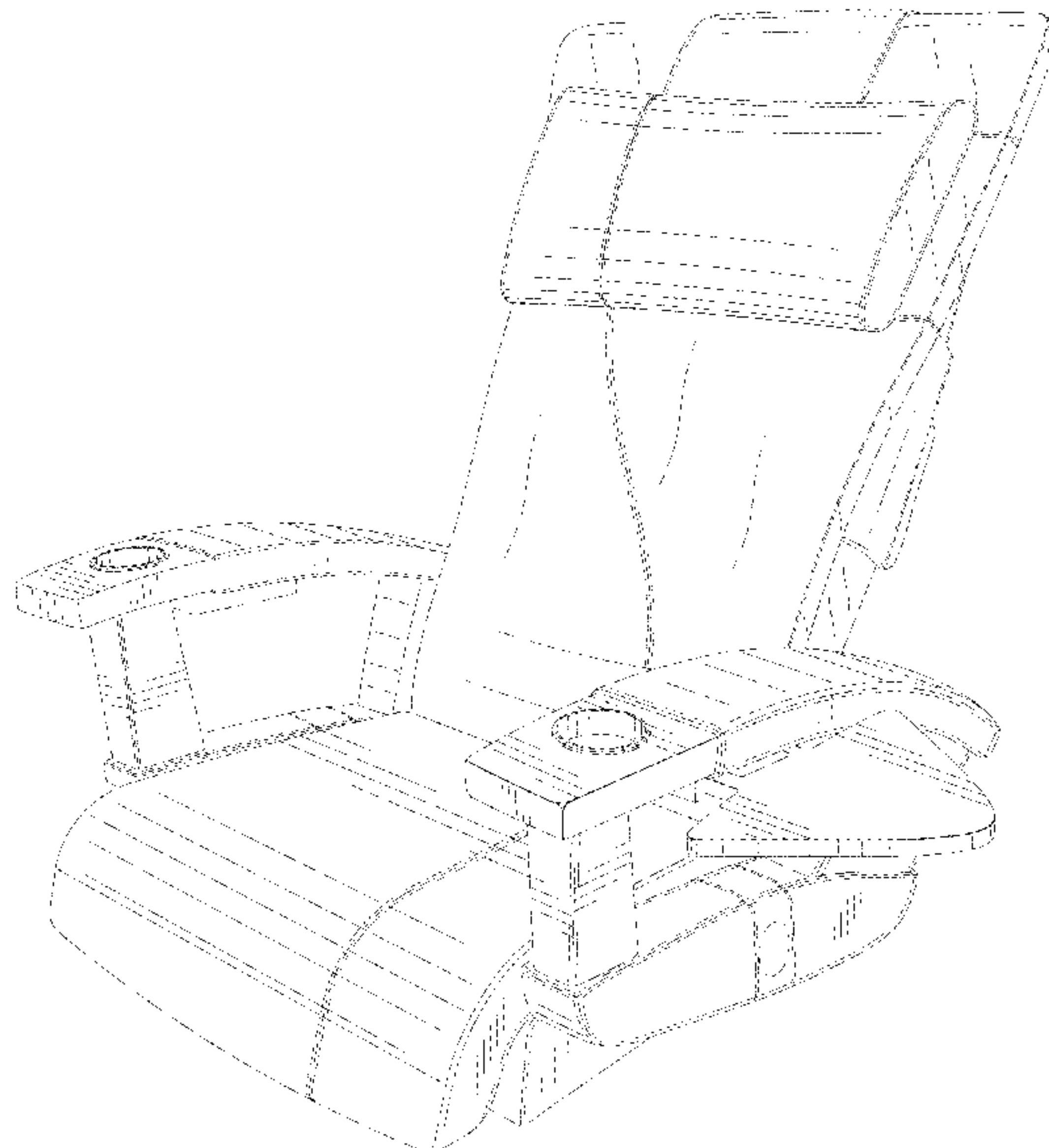
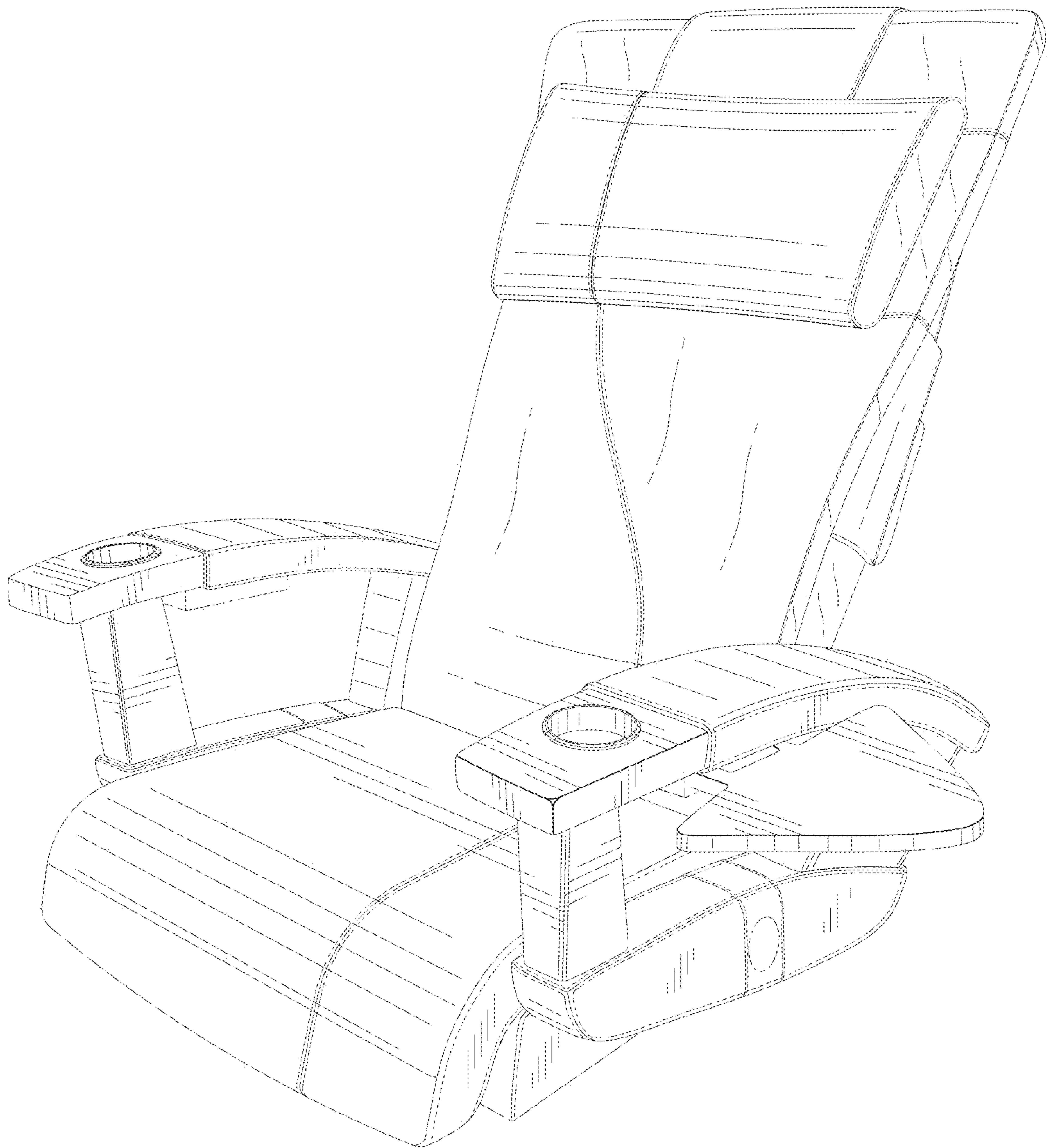


FIG. 1



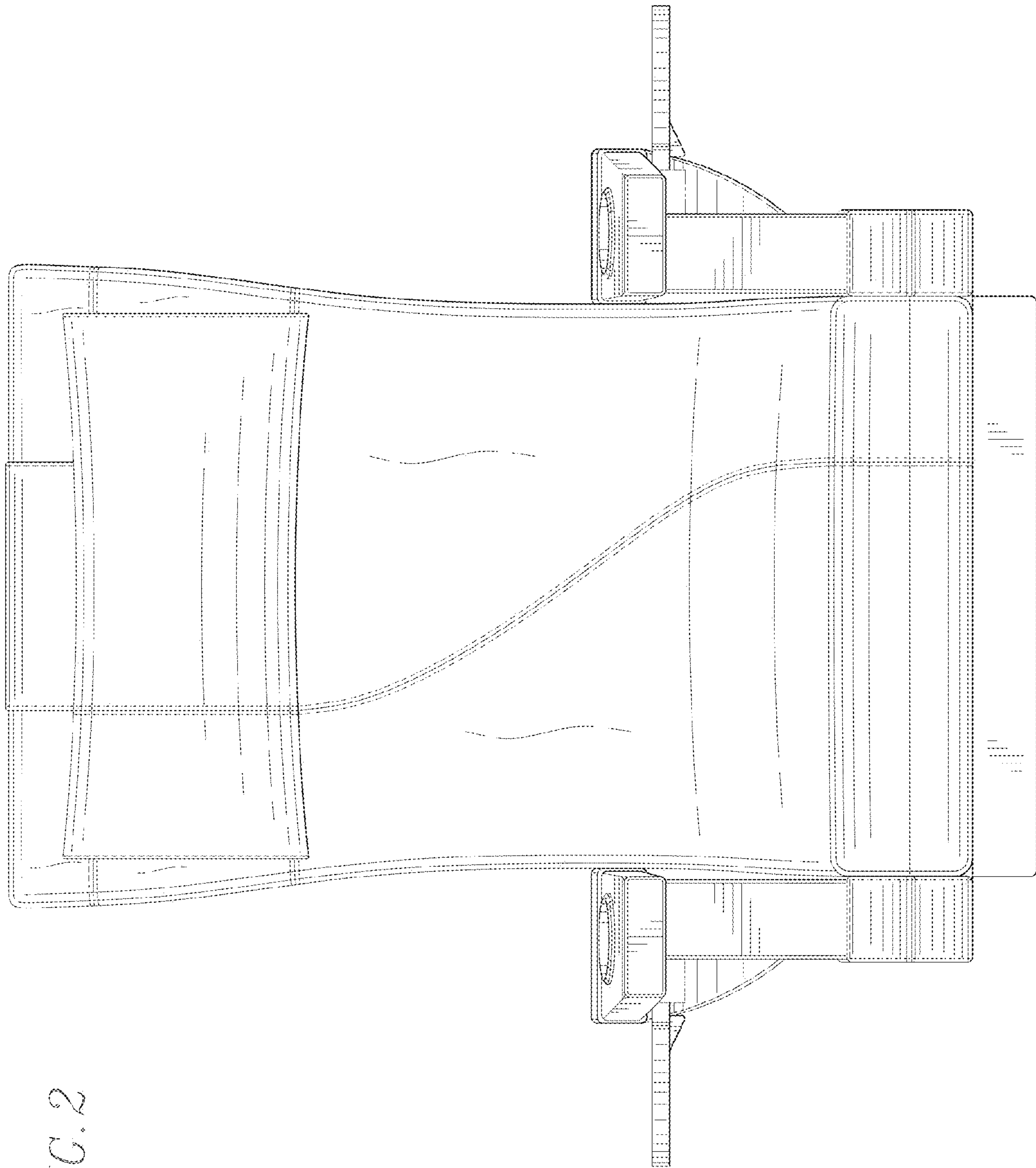


FIG. 2

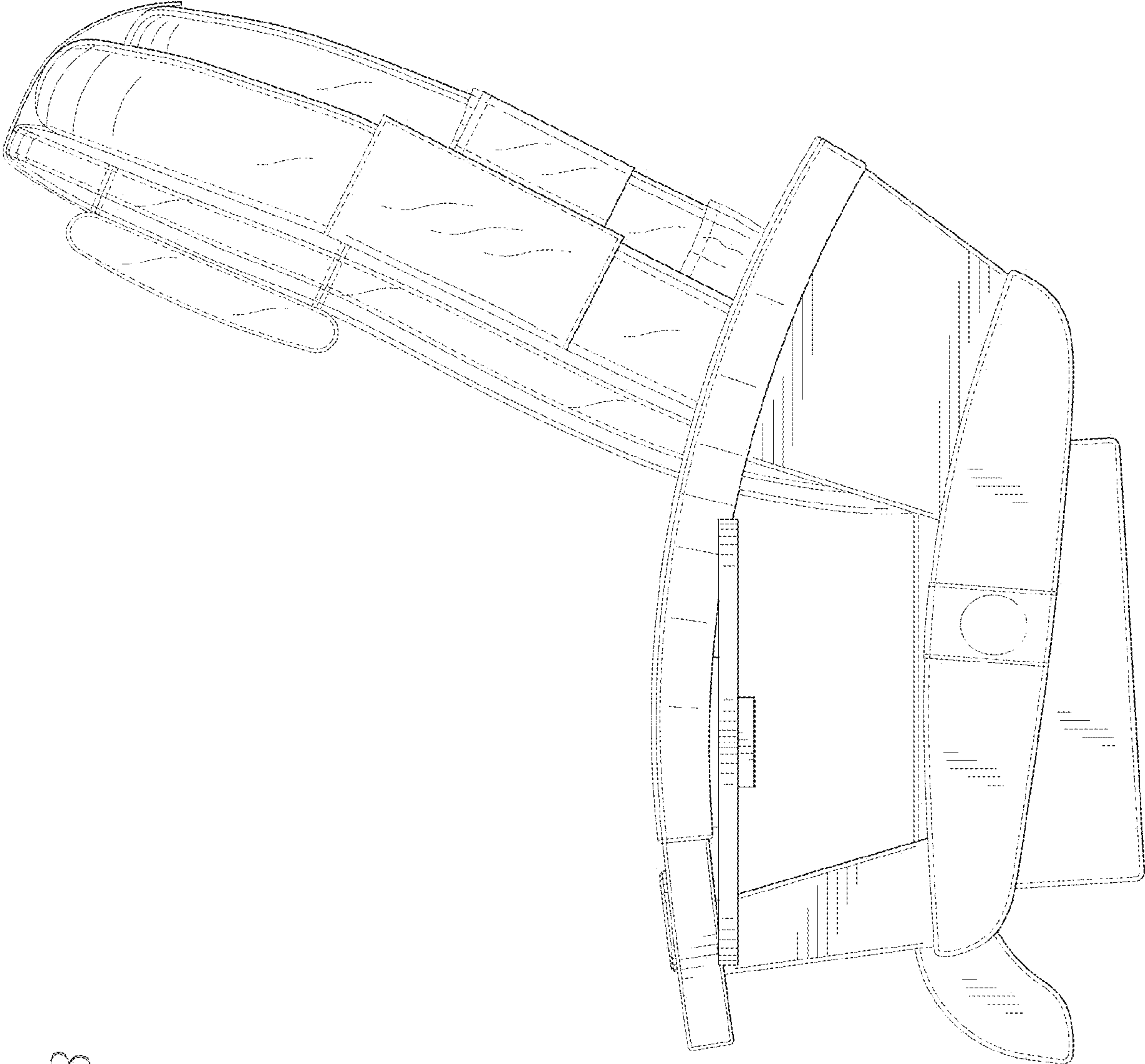


FIG. 3

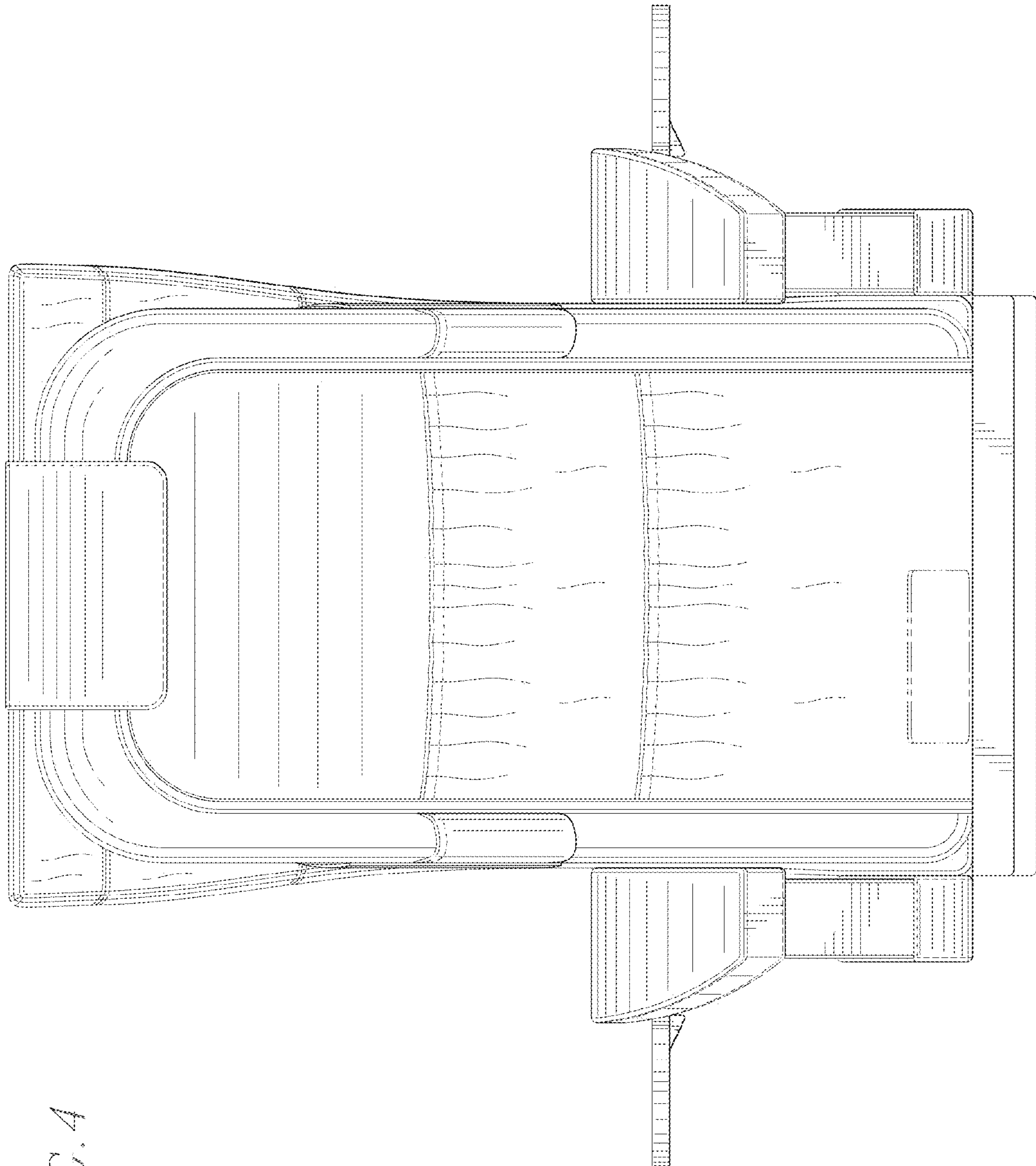


FIG. 4

FIG. 5

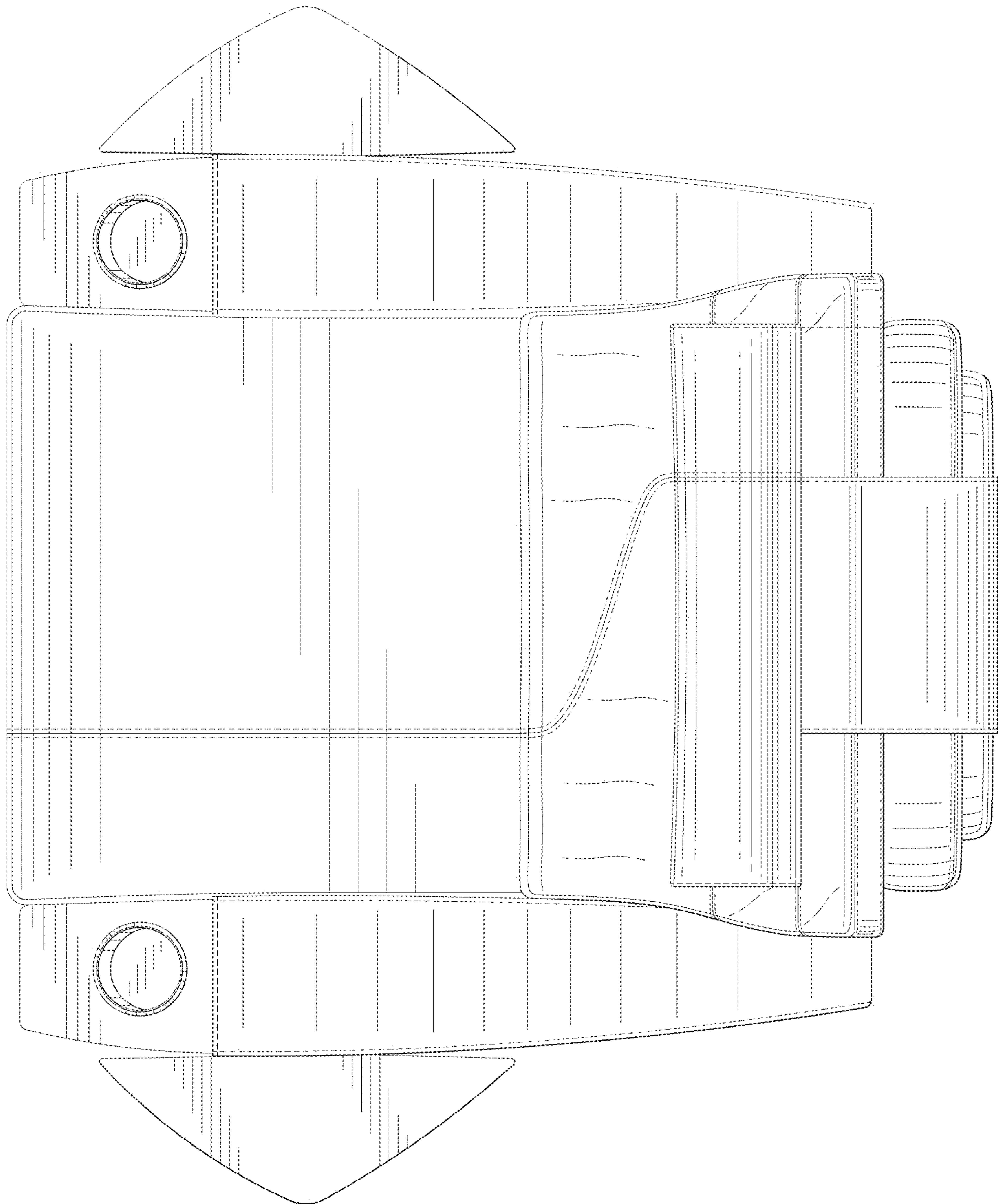
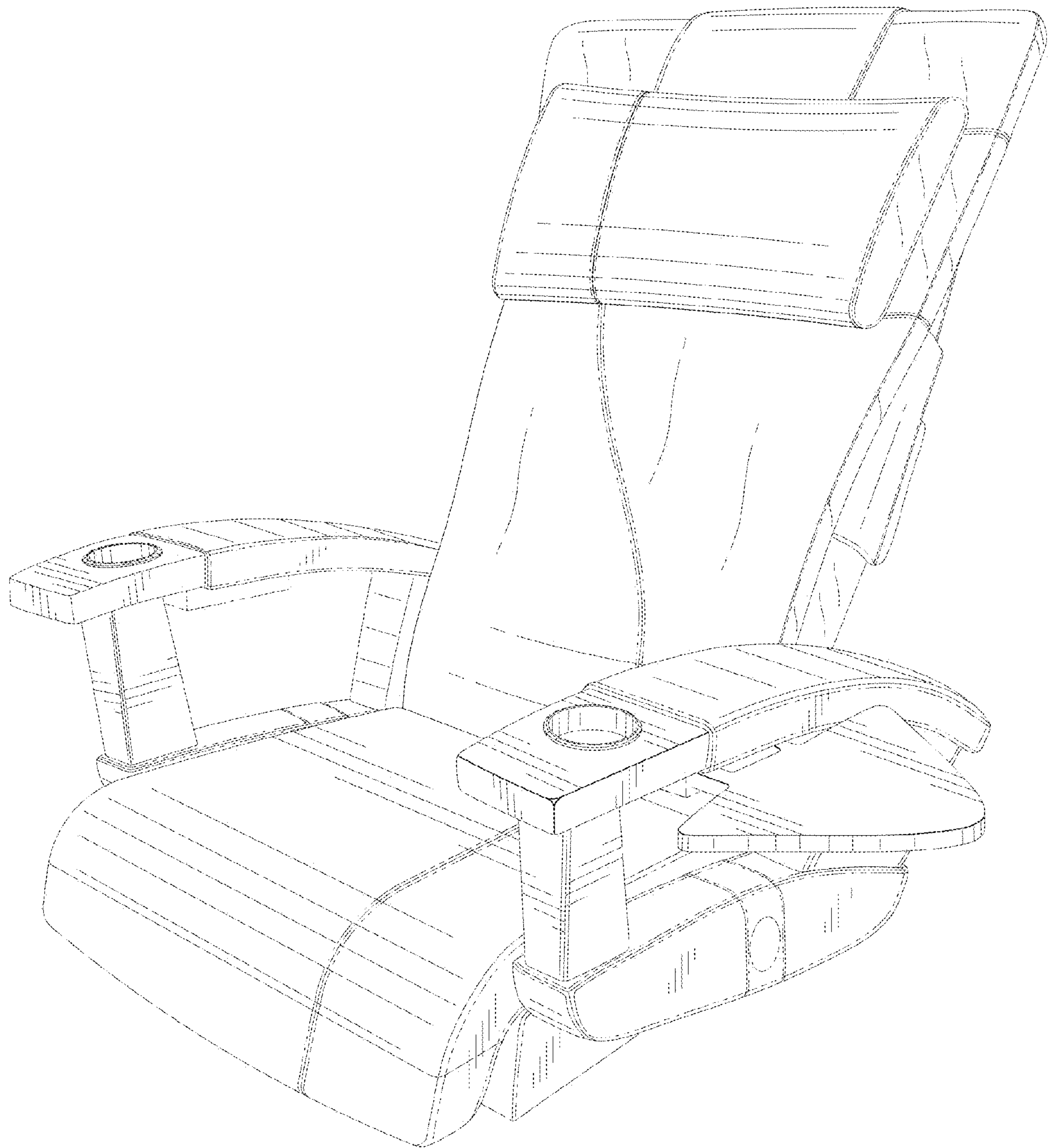


FIG. 6



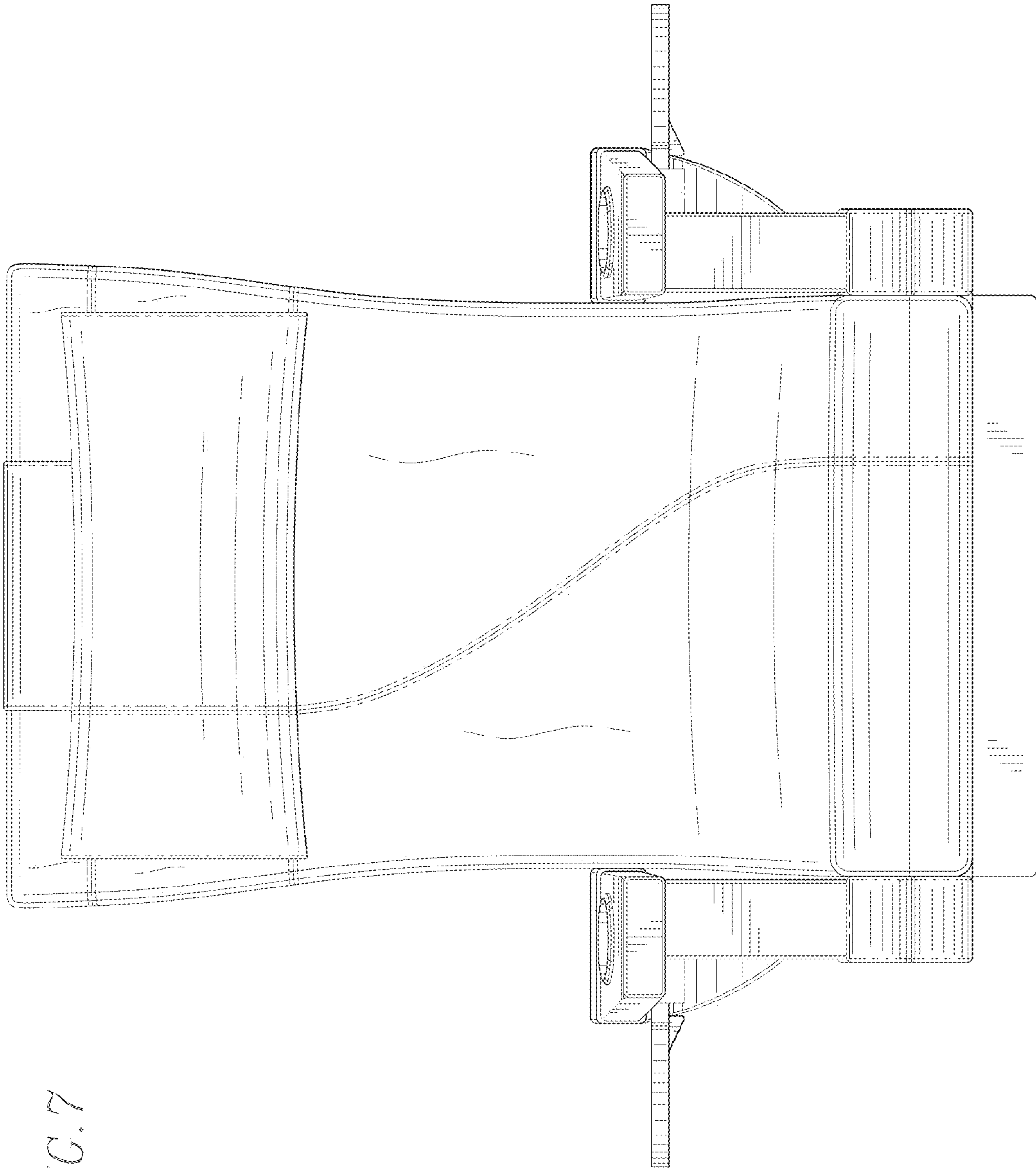


FIG. 7

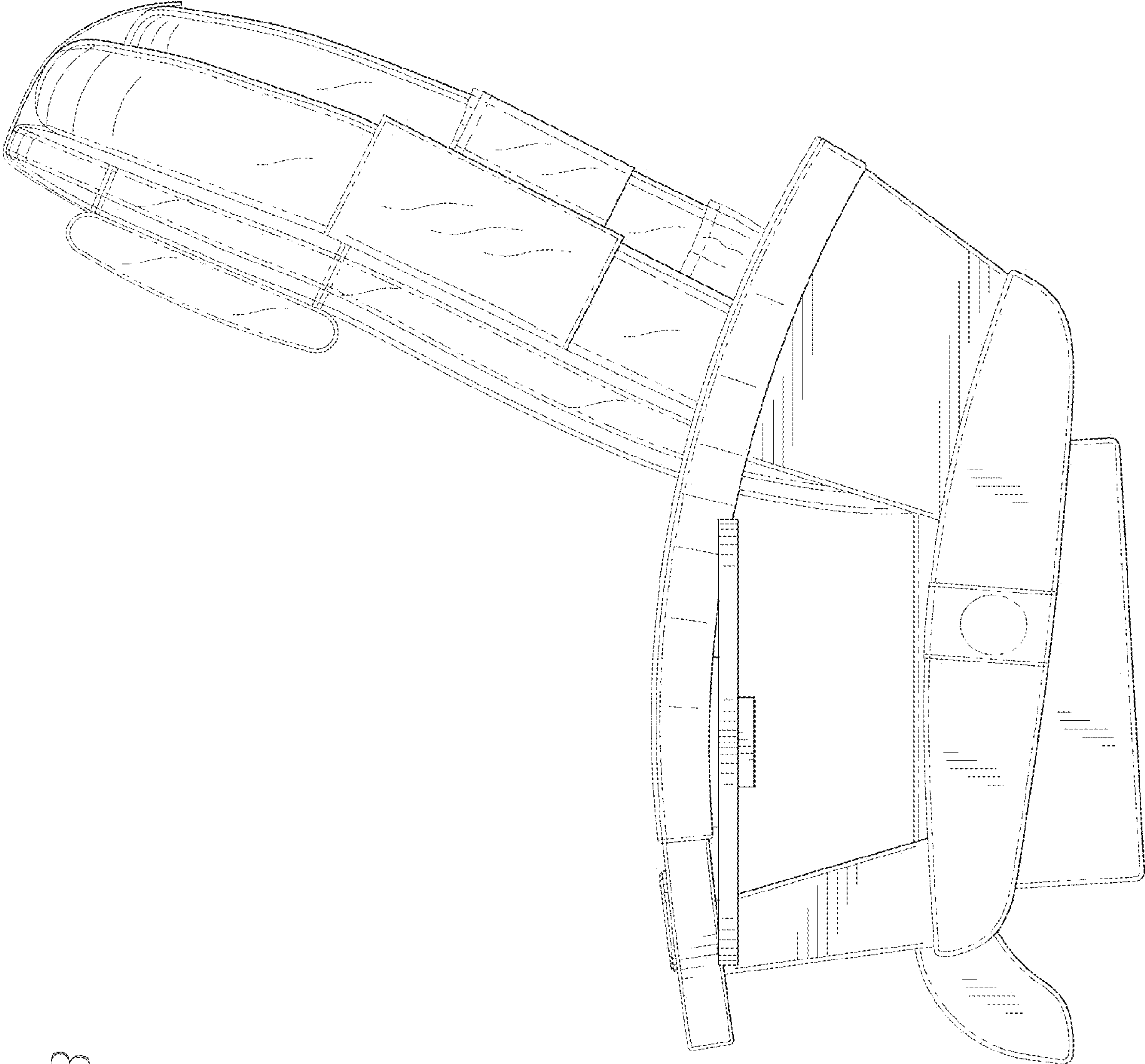


FIG. 8

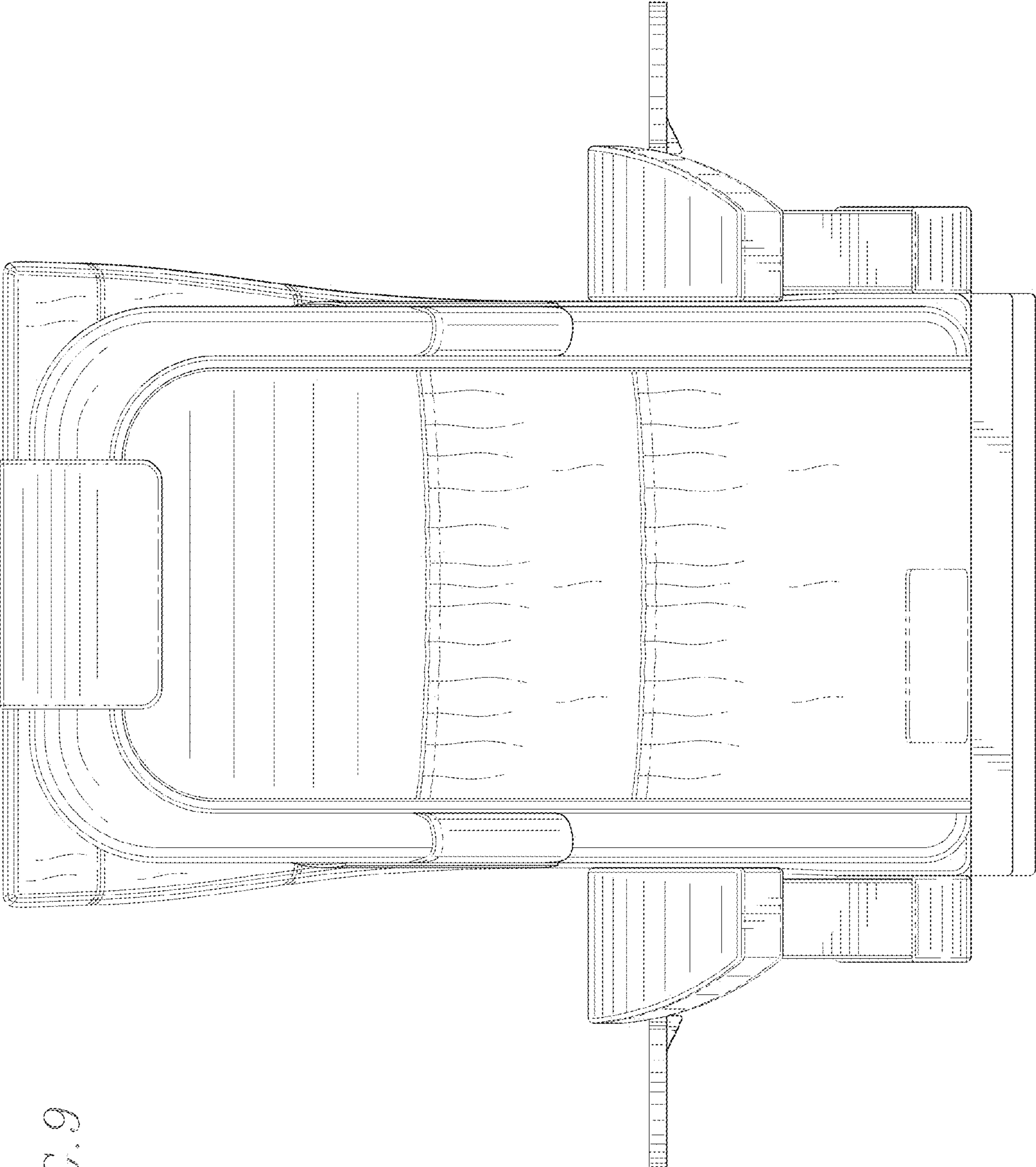


FIG. 9

FIG. 10

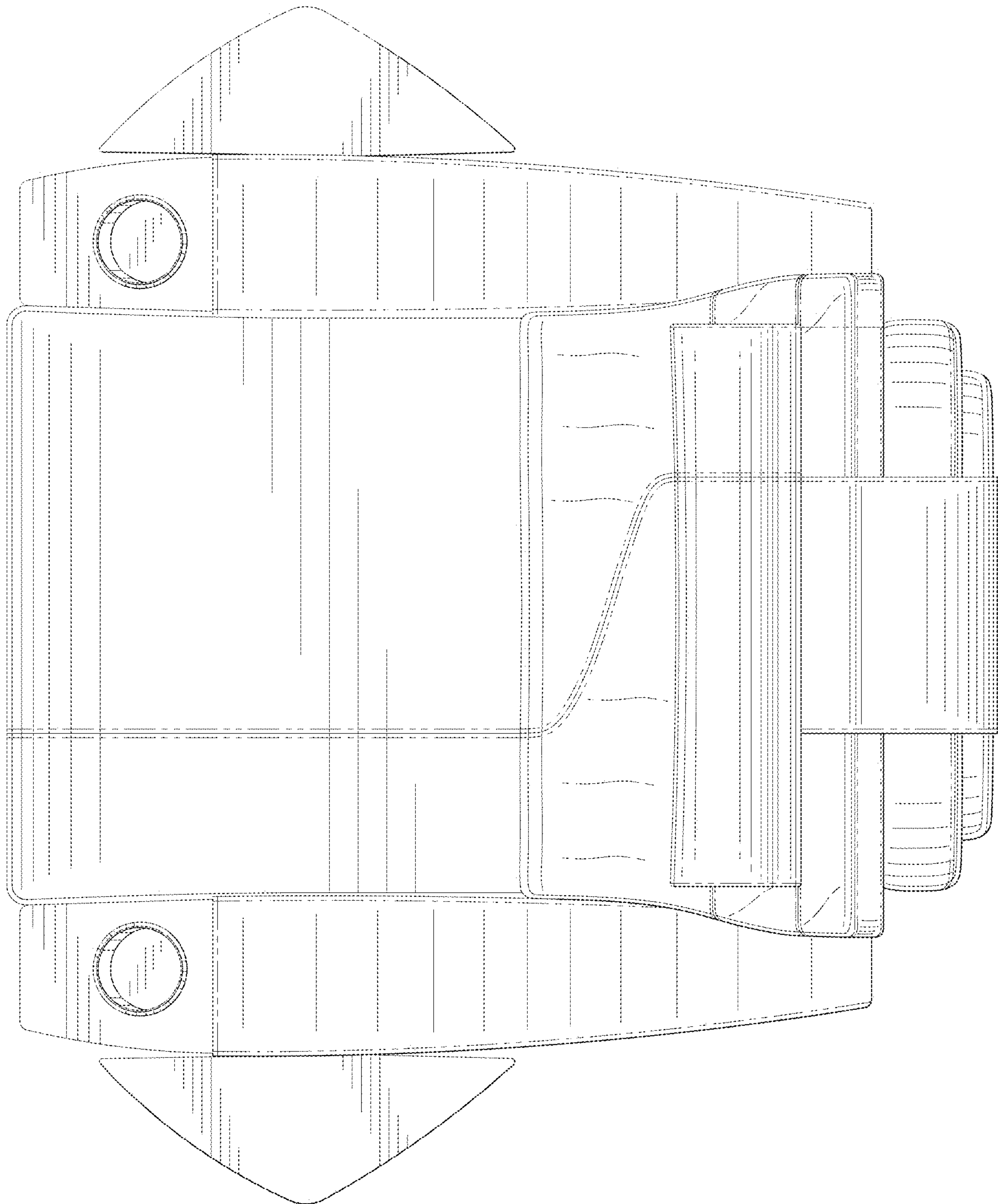
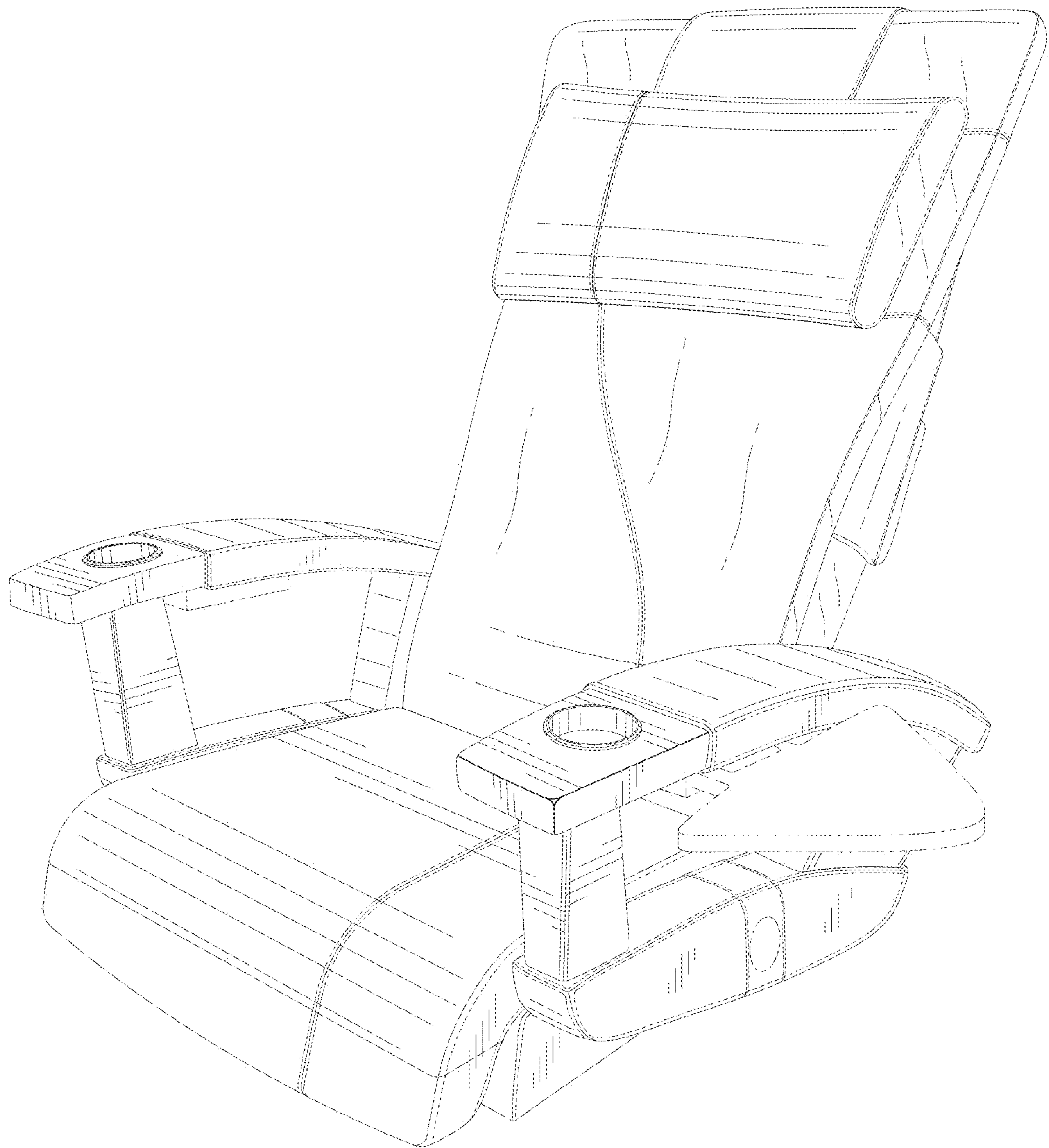


FIG. 11



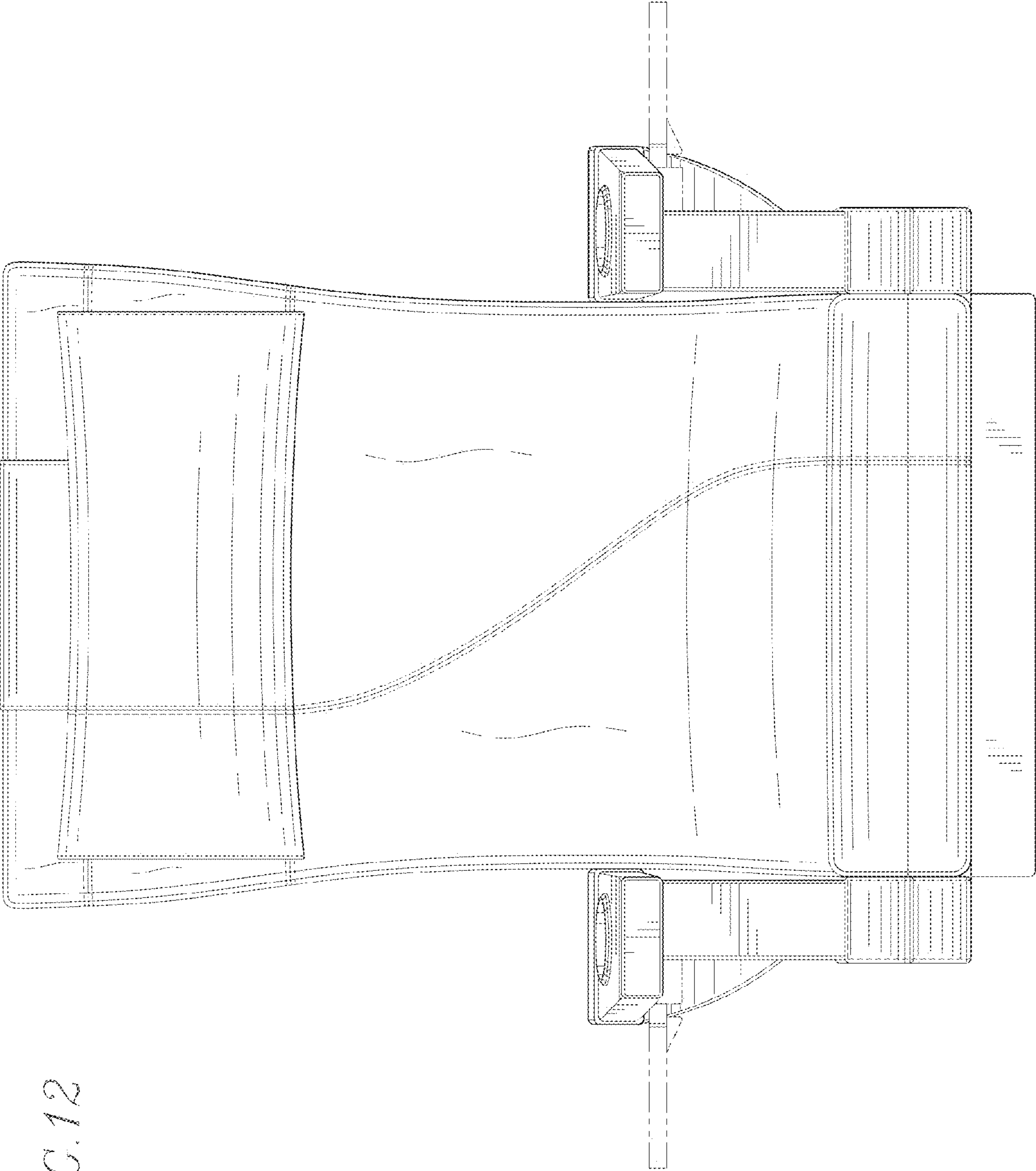


FIG. 12

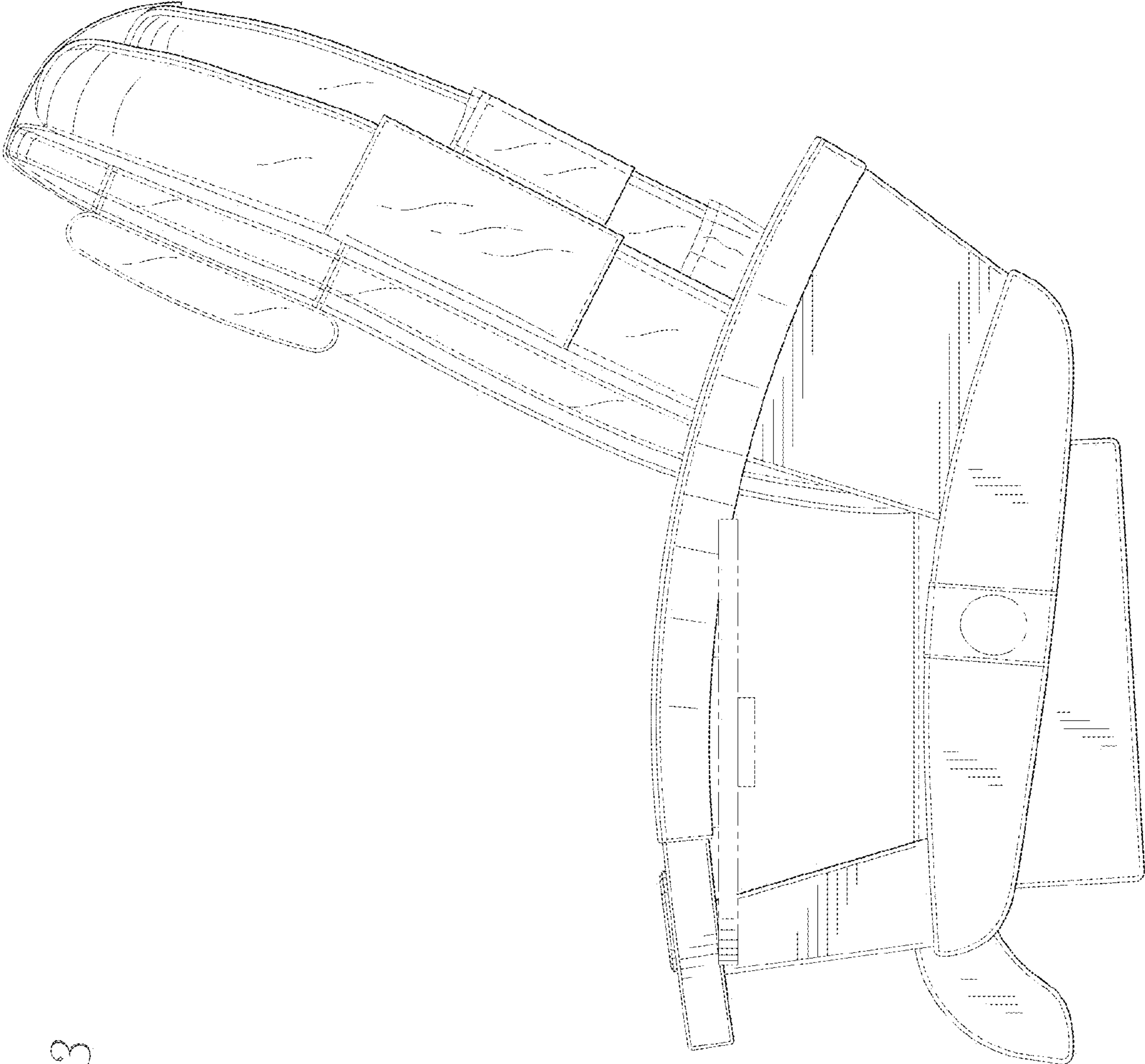


FIG. 13

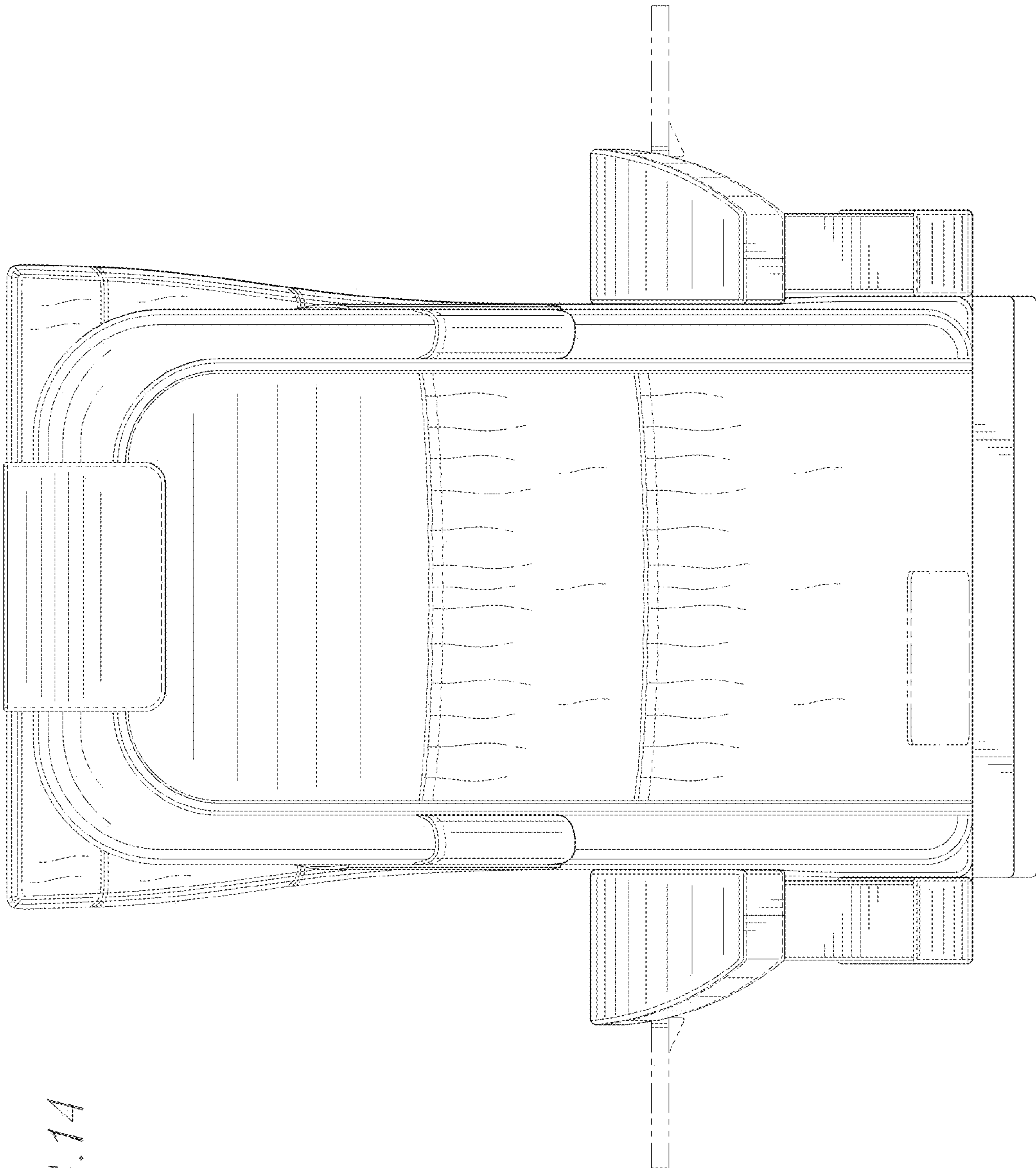


FIG. 14

FIG. 15

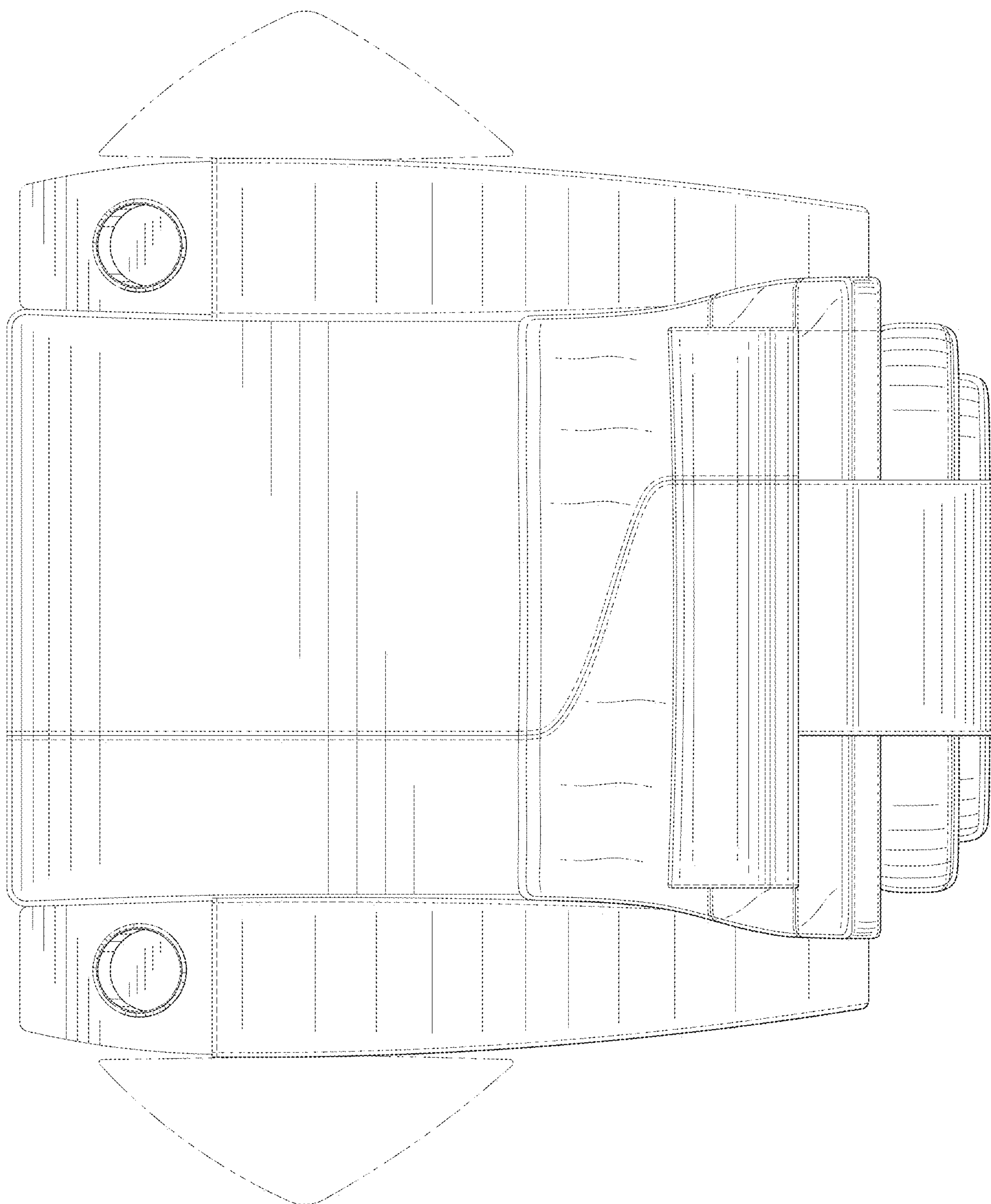
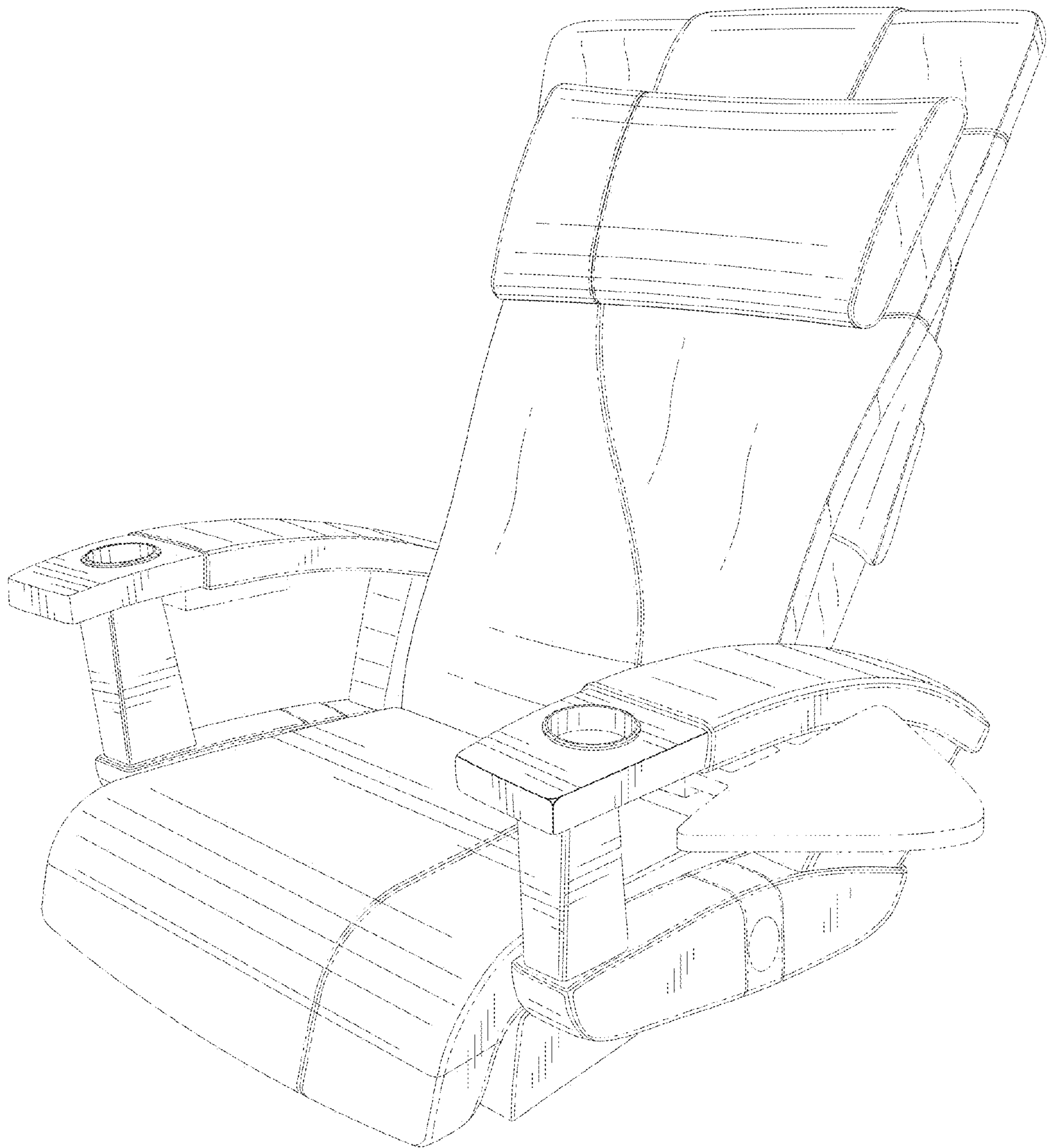


FIG. 16



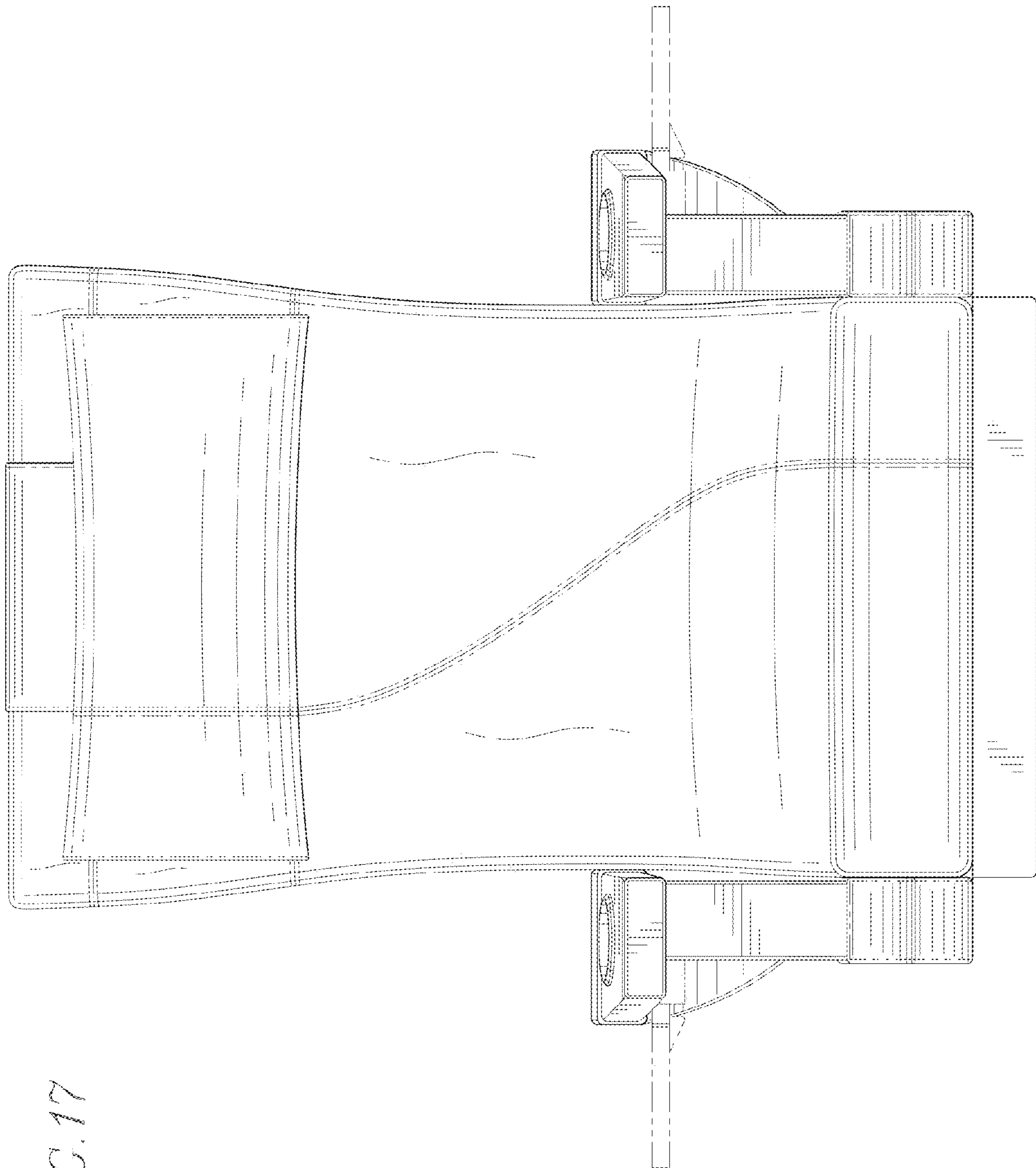


FIG. 17

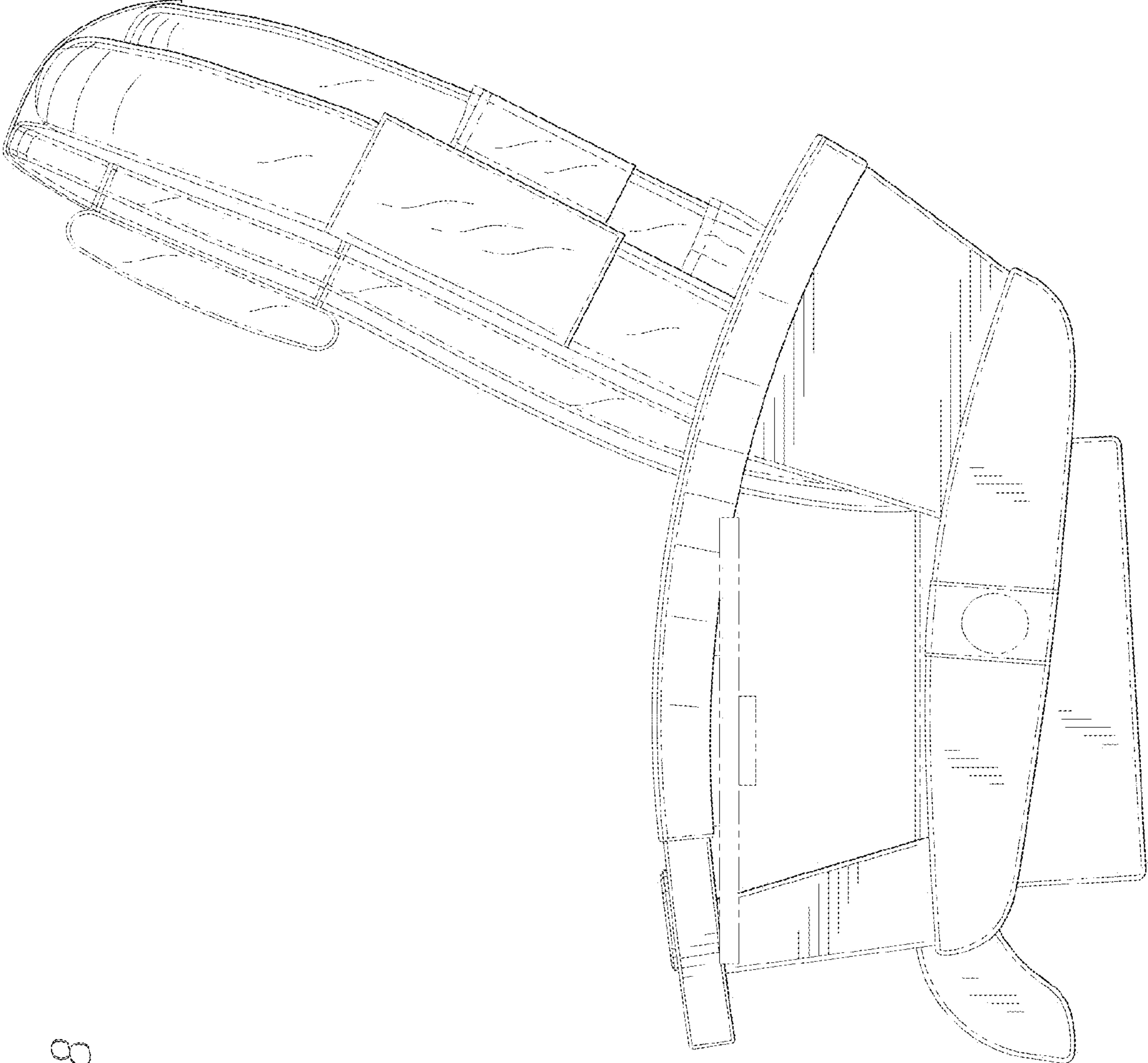


FIG. 18

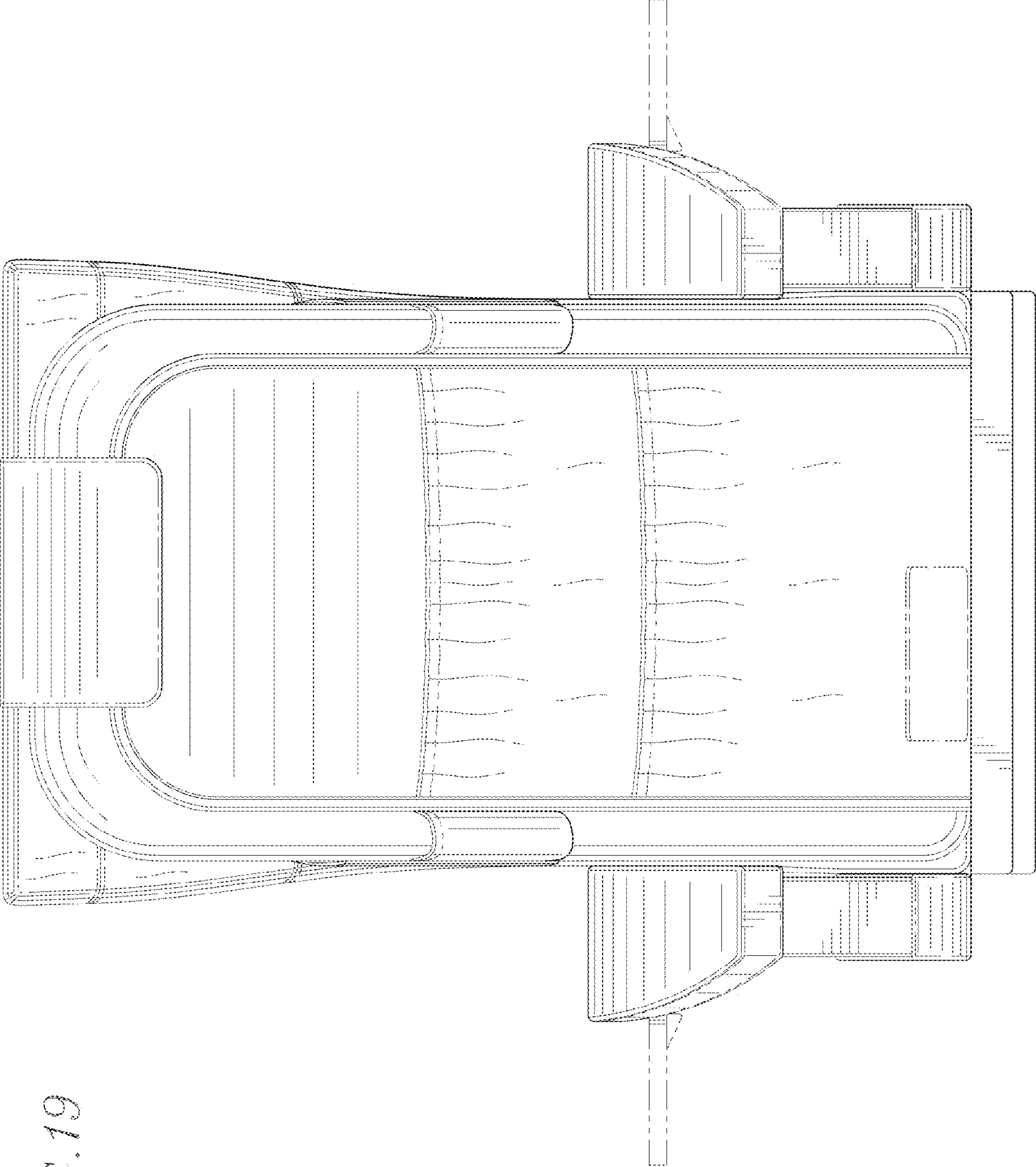


FIG. 19

FIG. 20

