



US00D874836S

(12) **United States Design Patent**
Li et al.

(10) **Patent No.:** **US D874,836 S**

(45) **Date of Patent:** **** Feb. 11, 2020**

(54) **MIRROR**

(71) Applicant: **Shenzhen Kean Digital Co., LTD.**,
Shenzhen (CN)

(72) Inventors: **Jun Li**, Shenzhen (CN); **Dewei Zhong**,
Shenzhen (CN)

(**) Term: **15 Years**

(21) Appl. No.: **29/661,553**

(22) Filed: **Aug. 29, 2018**

(51) **LOC (12) Cl.** **06-06**

(52) **U.S. Cl.**
USPC **D6/312; D6/301**

(58) **Field of Classification Search**
USPC **D6/300–314**
CPC ... **A47G 1/00; A47G 1/02; A47G 1/04; G02B**
5/08
See application file for complete search history.

(56) **References Cited**

U.S. PATENT DOCUMENTS

D259,067 S *	4/1981	Kretschmer	D6/308
D298,087 S *	10/1988	Arce	D6/300
D330,807 S *	11/1992	Granzow	D6/301
D543,707 S *	6/2007	Chan	D6/312
D668,067 S *	10/2012	Frisch	D6/308
D785,345 S *	5/2017	Yang	D6/310

D825,205 S *	8/2018	Liu	D6/310
D825,206 S *	8/2018	Liu	D6/310
D829,007 S *	9/2018	Choi	D6/310
10,076,176 B2 *	9/2018	Yang	A45D 42/10
D833,762 S *	11/2018	Liu	D6/310
2016/0255941 A1 *	9/2016	Yang	A45D 42/10

* cited by examiner

Primary Examiner — Deanna L Pratt

(74) *Attorney, Agent, or Firm* — Erson IP (Nelson IP)

(57) **CLAIM**

The ornamental design for a mirror, as shown and described.

DESCRIPTION

FIG. 1 is a perspective view of a mirror showing my new design;

FIG. 2 is a front view thereof;

FIG. 3 is a rear view thereof;

FIG. 4 is a left side view thereof;

FIG. 5 is a right side view thereof;

FIG. 6 is a top plan view thereof;

FIG. 7 is a bottom plan view thereof;

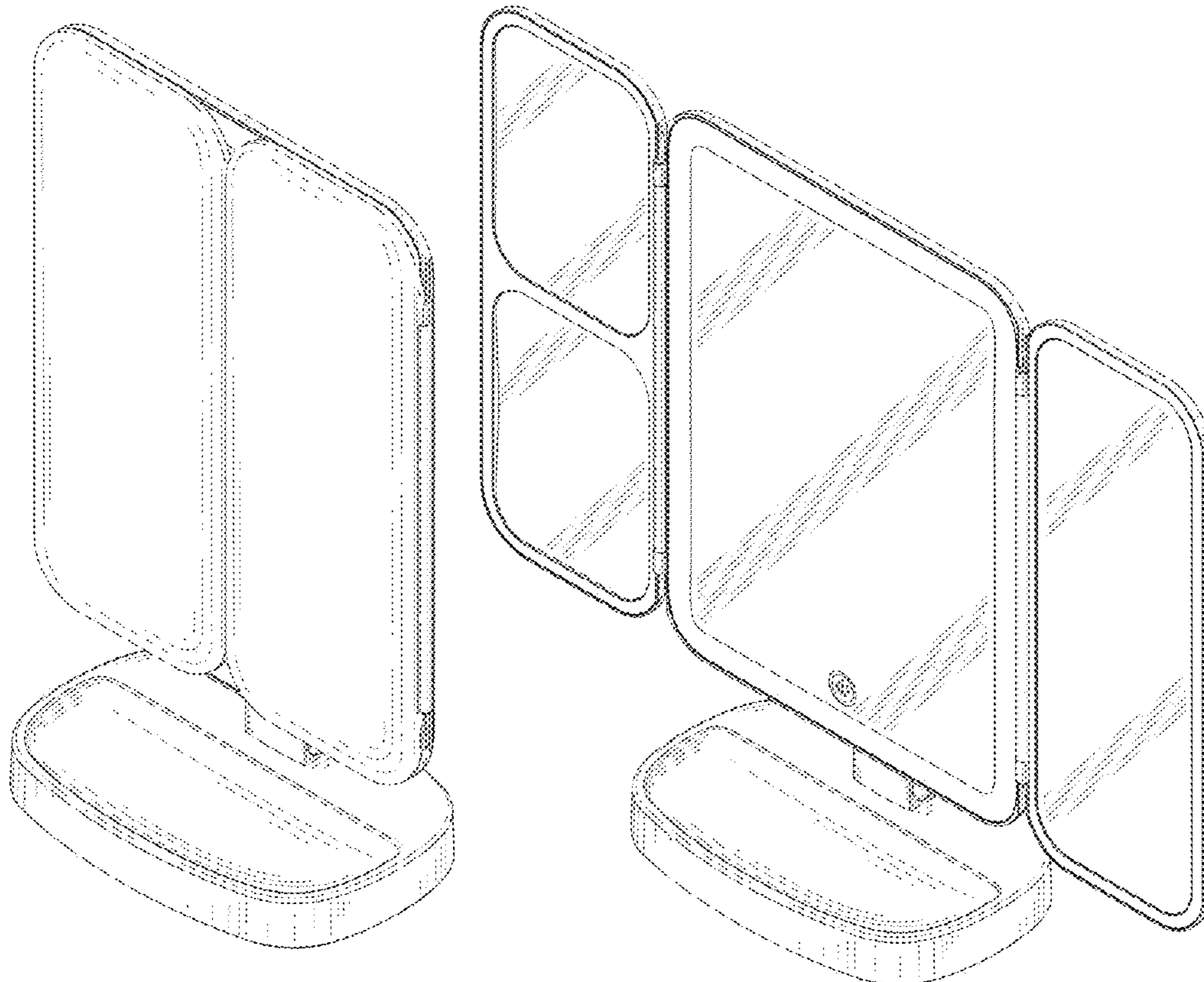
FIG. 8 is a perspective view of the mirror in a first using state;

FIG. 9 is a perspective view of the mirror in a second using state; and,

FIG. 10 is a perspective view of the mirror in a third using state.

The broken lines in the figures illustrate portions of the mirror that form no part of the claimed design.

1 Claim, 10 Drawing Sheets



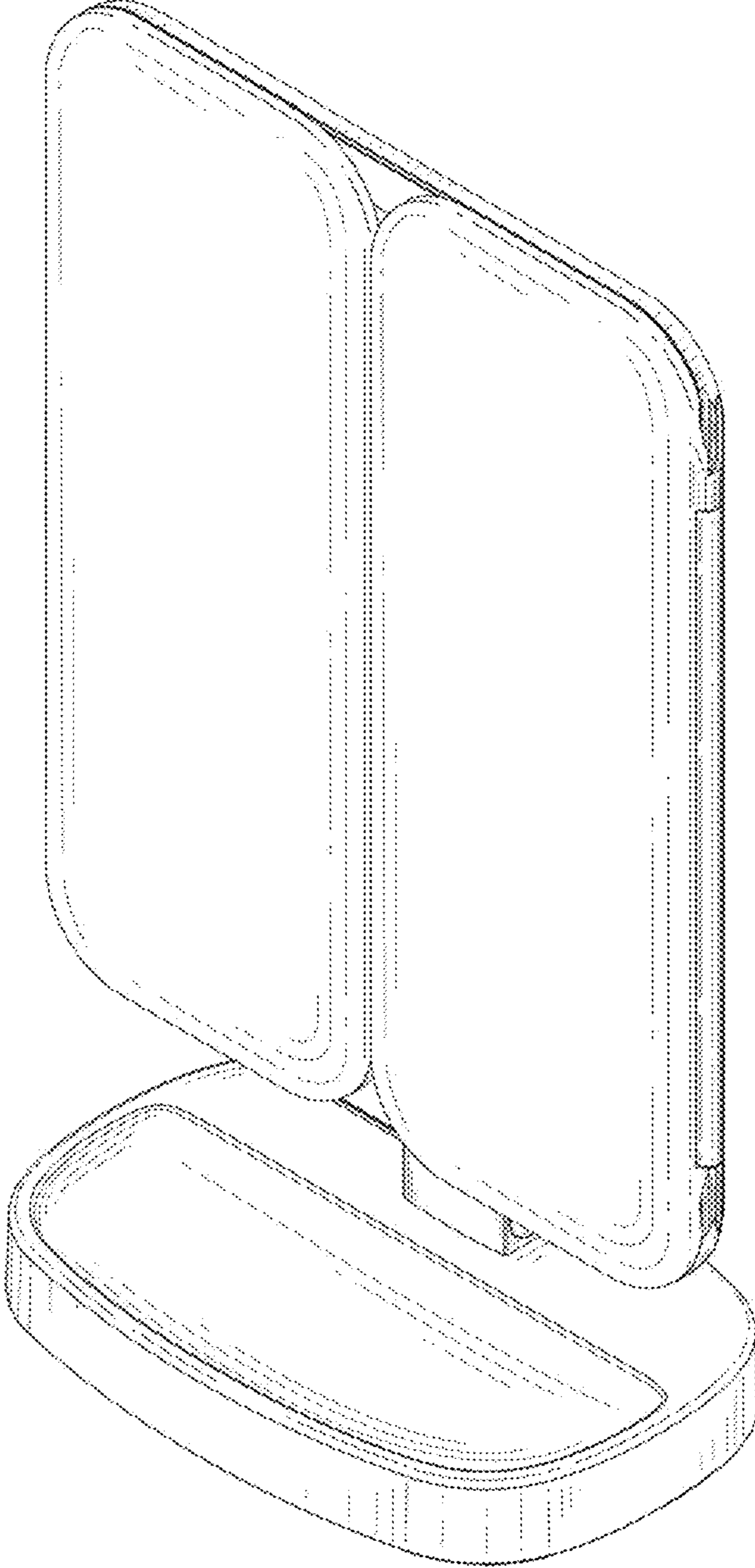


Fig. 1

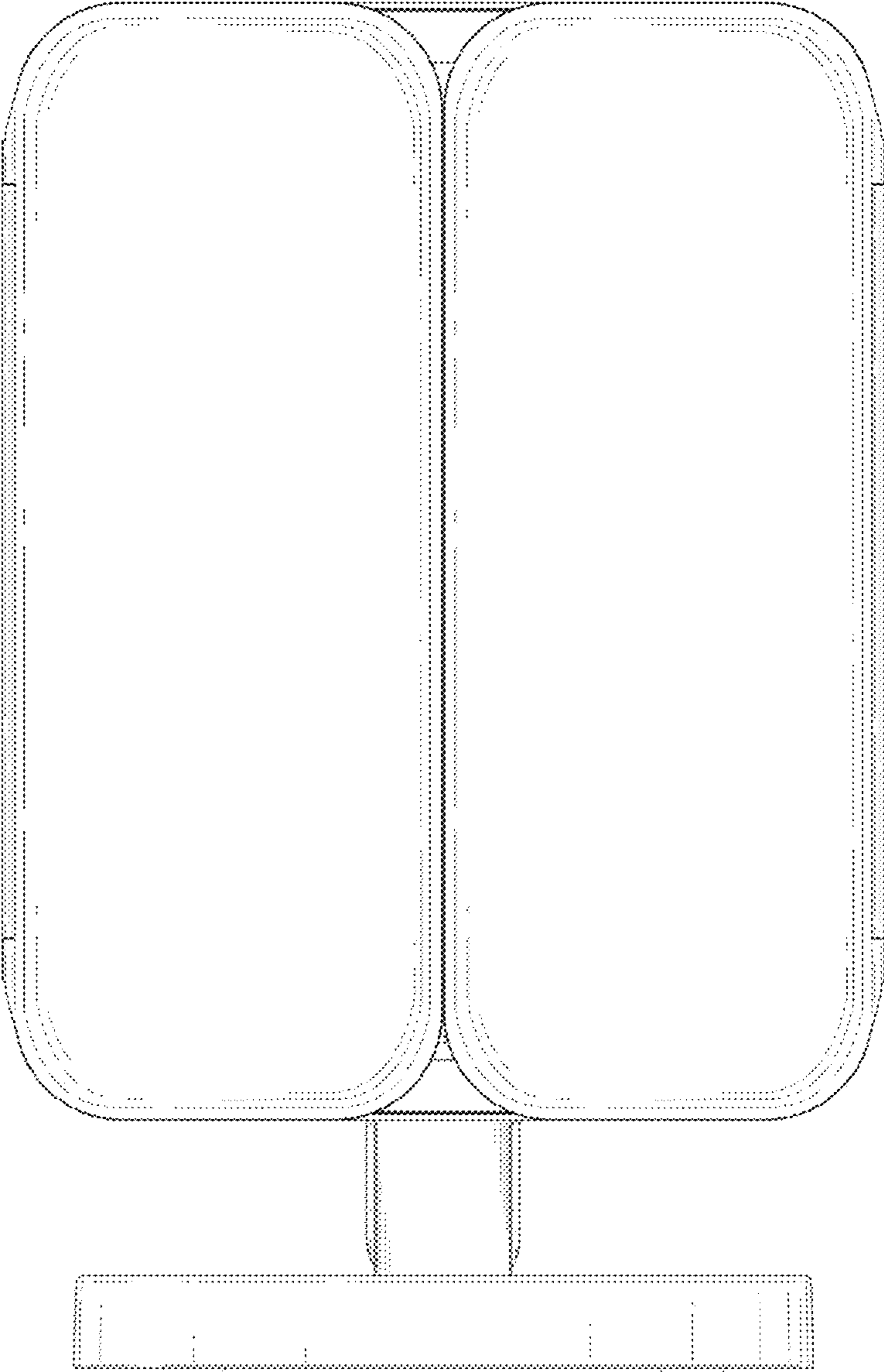


Fig. 2

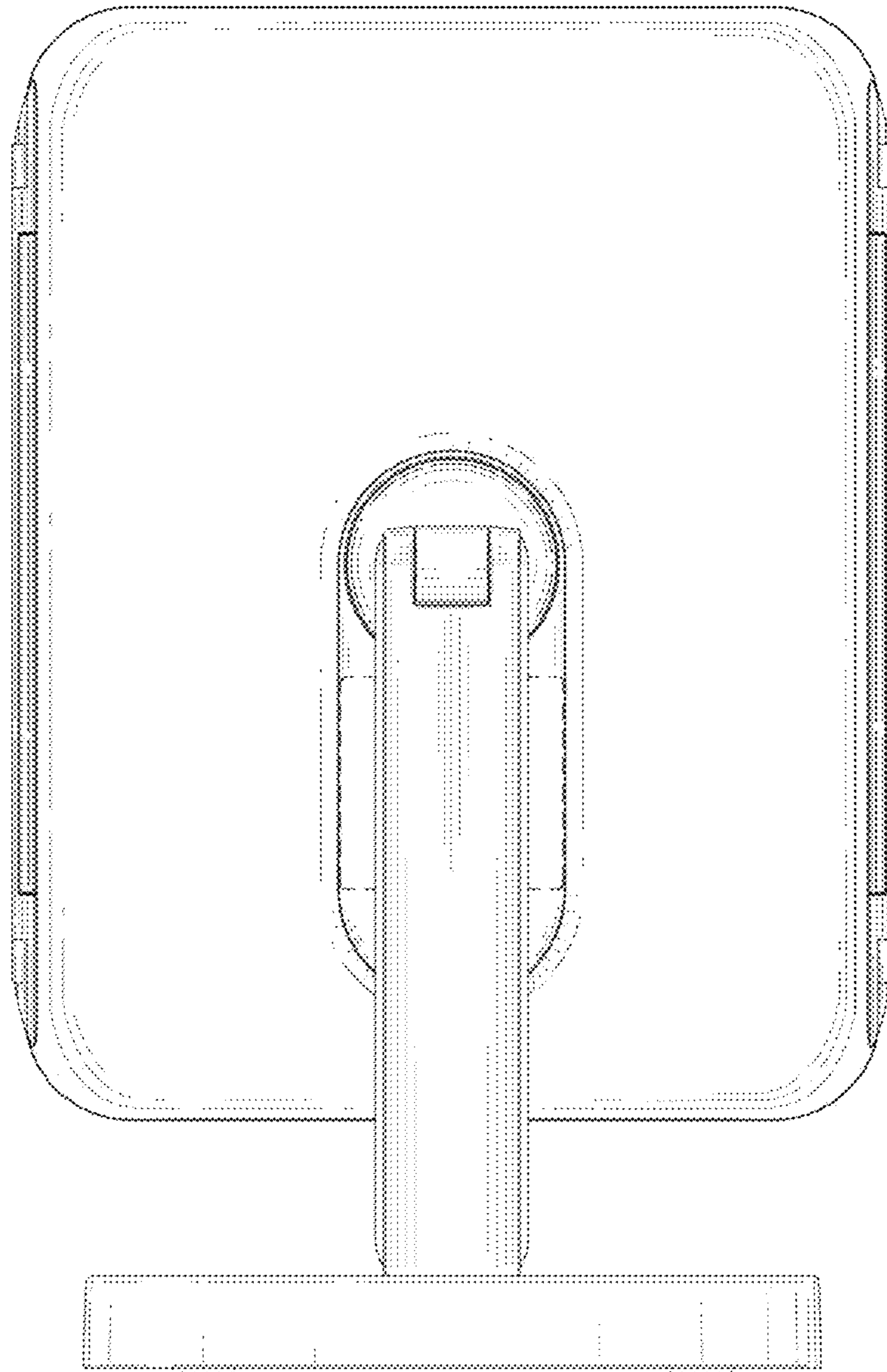


Fig. 3

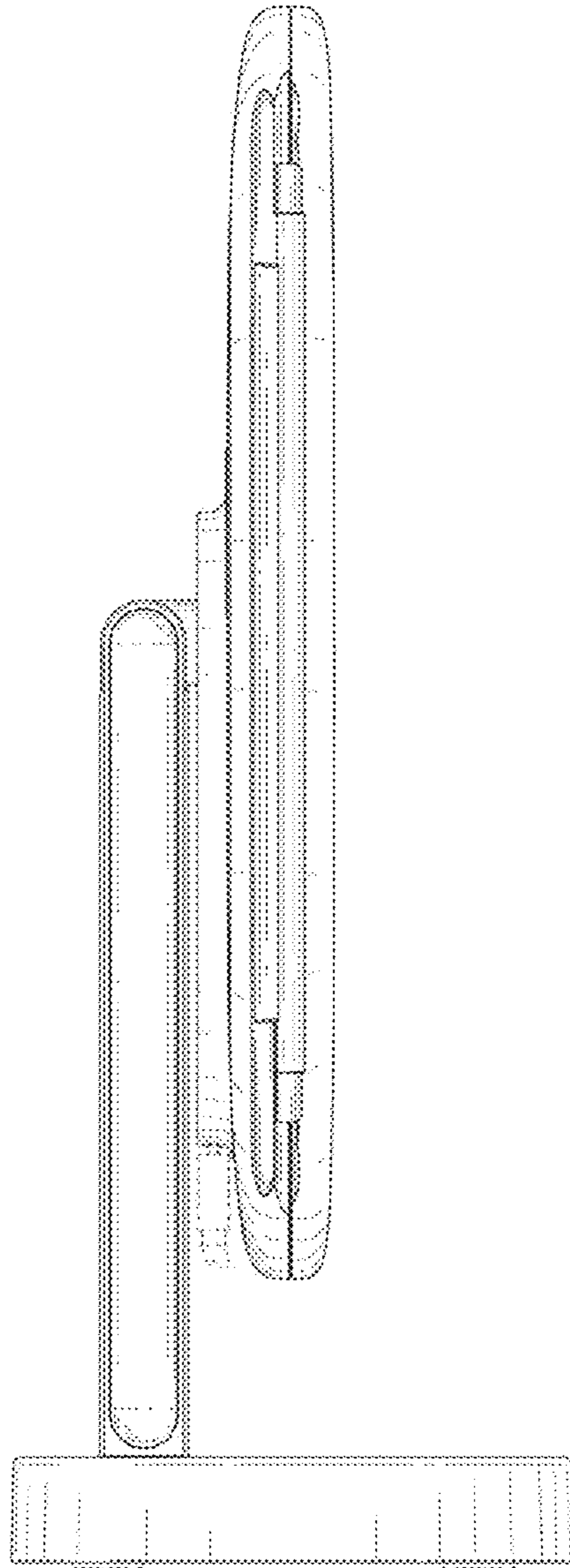


Fig. 4

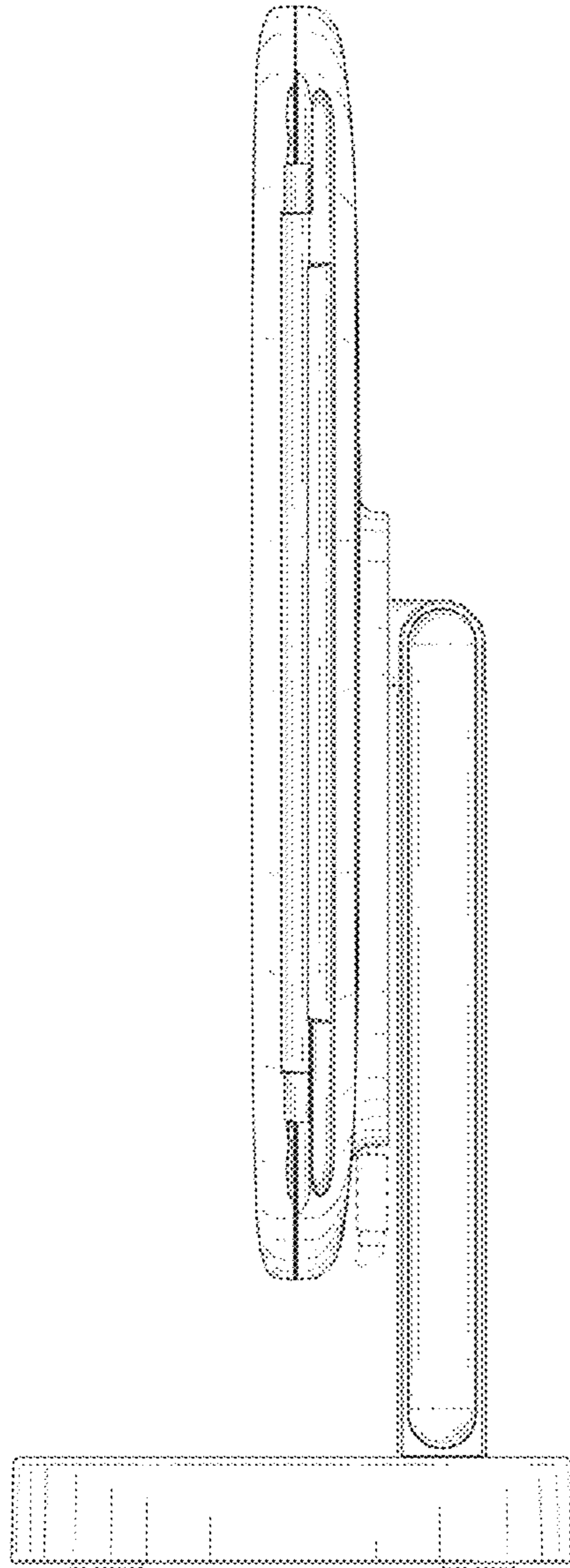


Fig. 5

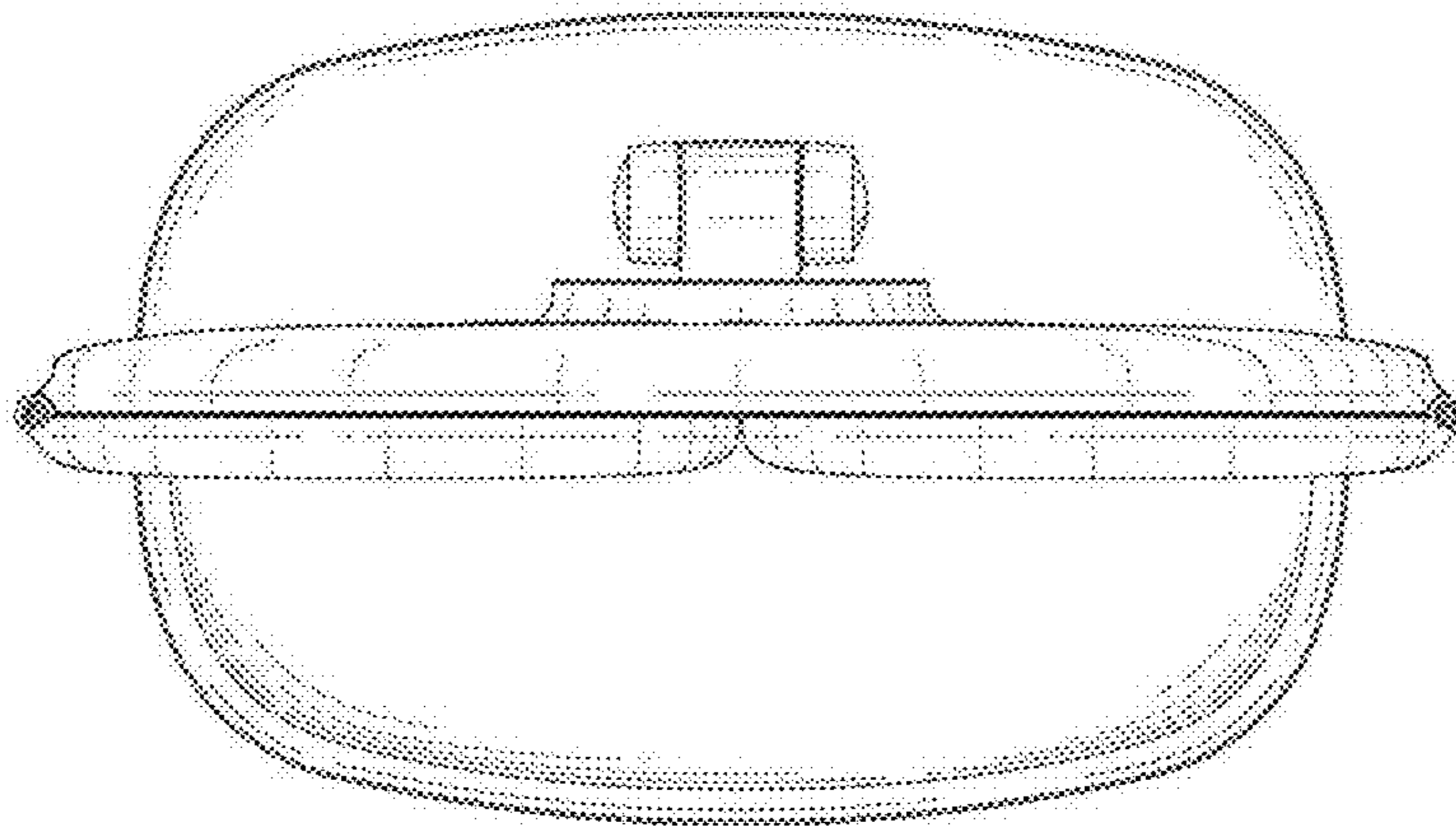


Fig. 6

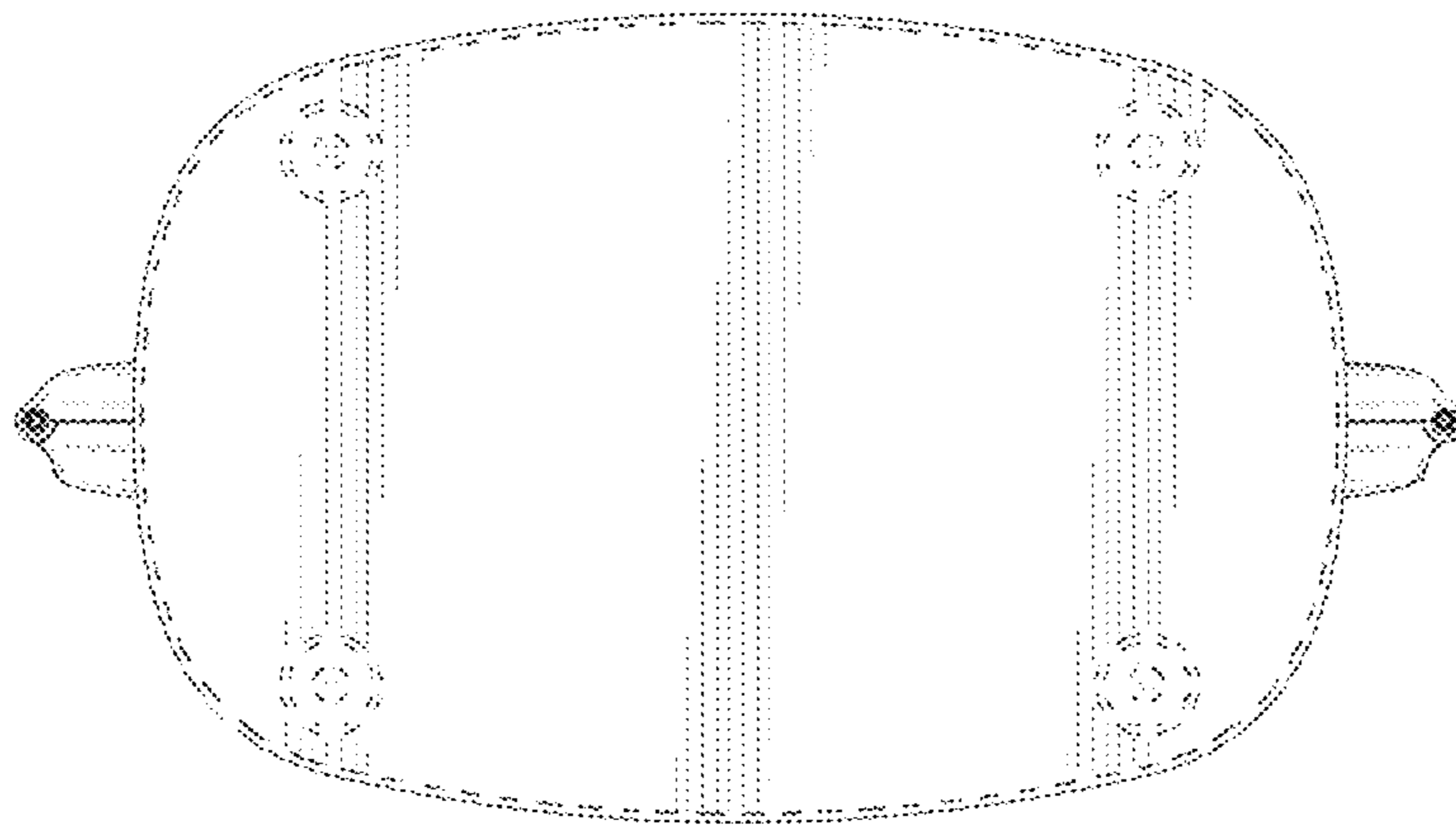


Fig. 7

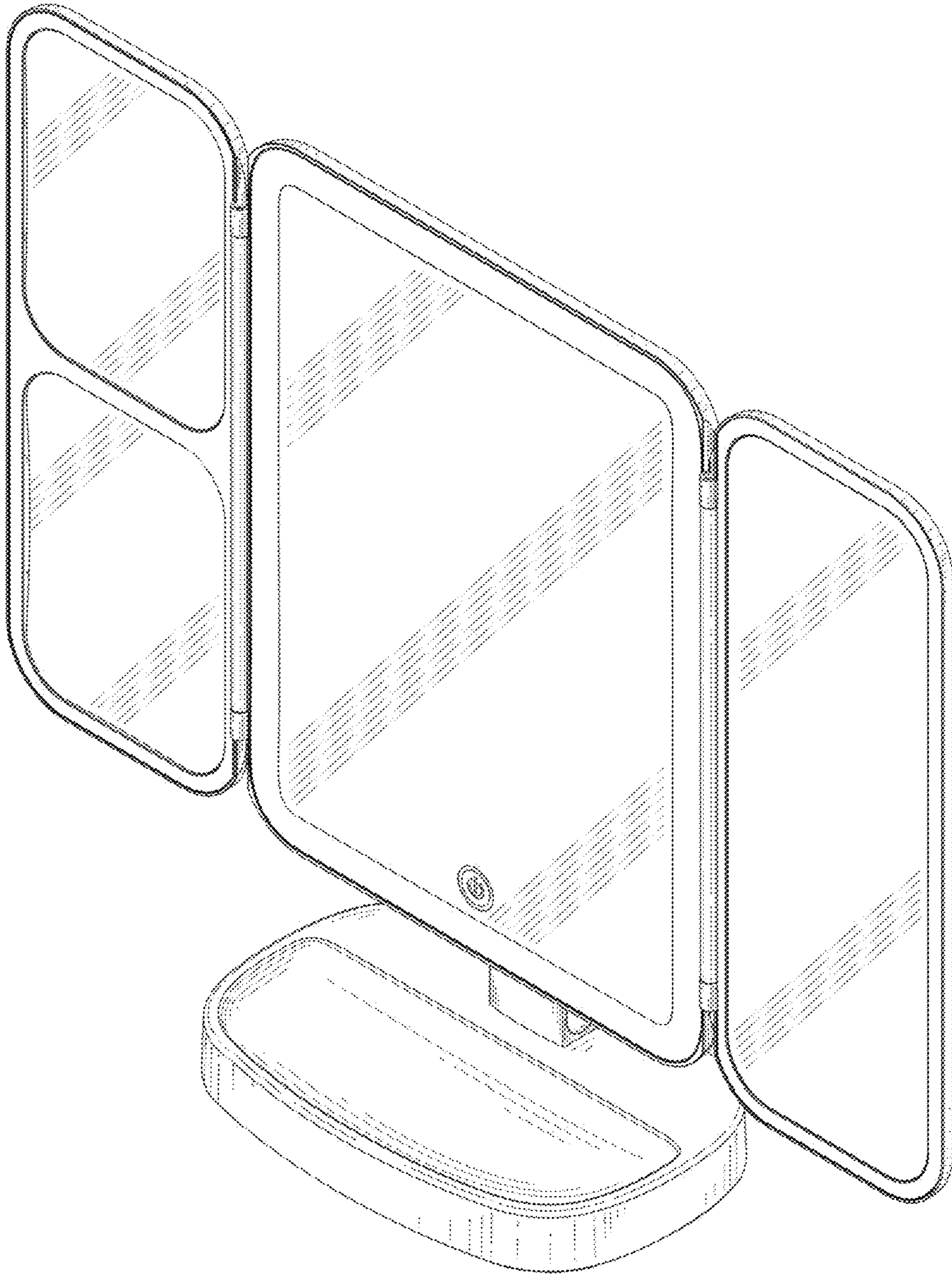


Fig. 8

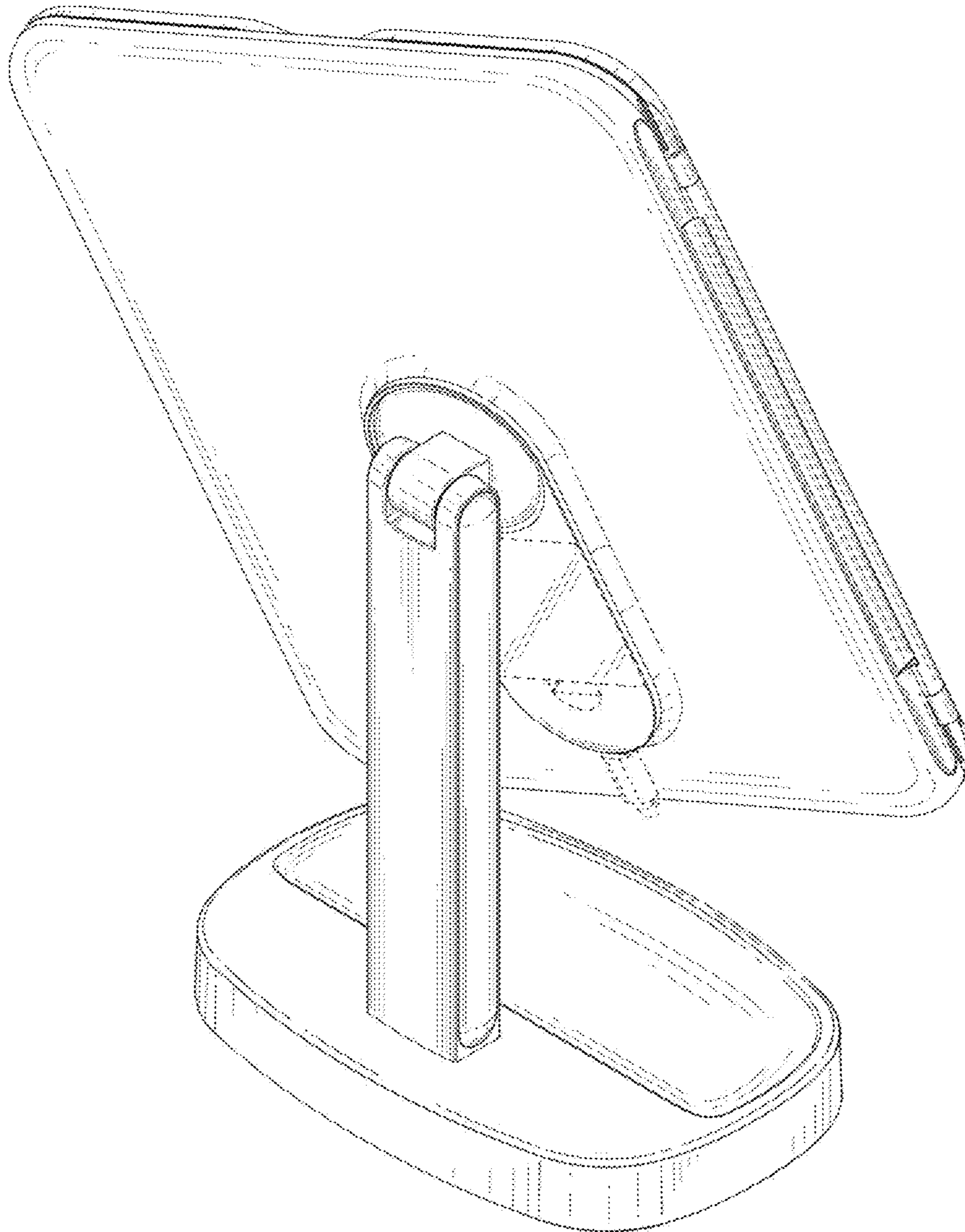


Fig. 9

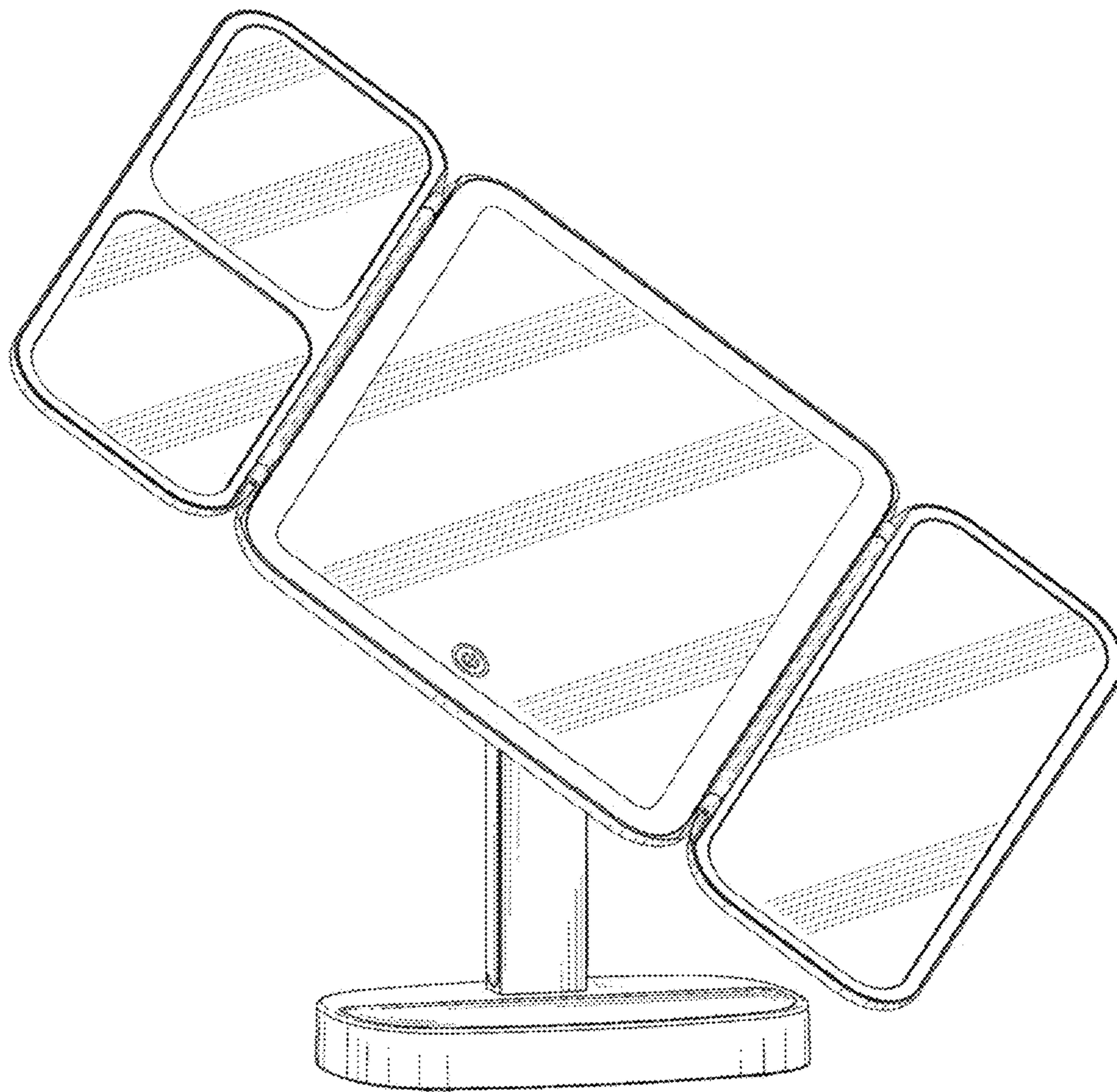


Fig. 10