



US00D874834S

(12) **United States Design Patent**  
**Zhang**

(10) **Patent No.:** **US D874,834 S**

(45) **Date of Patent:** **\*\* Feb. 11, 2020**

(54) **DETACHABLE ELECTRIC BRUSH**

(71) Applicant: **Tongcheng Dafuhao Brush Co., Ltd.**,  
Tongcheng (CN)

(72) Inventor: **Baiquan Zhang**, Tongcheng (CN)

(\*\*) Term: **15 Years**

(21) Appl. No.: **29/704,867**

(22) Filed: **Sep. 8, 2019**

(51) **LOC (12) Cl.** ..... **04-01**

(52) **U.S. Cl.**  
USPC ..... **D4/137; D4/100**

(58) **Field of Classification Search**  
USPC ..... D4/100, 102, 127, 129, 137, 138, 199;  
D7/672; D24/214, 215; D32/35, 40  
CPC ..... A46B 13/00; A46B 13/02; A46B 13/023  
See application file for complete search history.

(56) **References Cited**

**U.S. PATENT DOCUMENTS**

- 791,443 A \* 6/1905 Andresen ..... A47J 37/1295  
99/431
- 1,031,243 A \* 7/1912 Carnes ..... A21C 11/106  
30/301
- D52,793 S \* 12/1918 Hoffman ..... D9/772
- 2,052,510 A \* 8/1936 Wooiverton ..... A47J 43/20  
425/118
- 2,629,890 A \* 2/1953 Di Giovanna ..... A47L 13/022  
15/229.13
- D191,367 S \* 9/1961 Heuck ..... D7/672
- 3,225,714 A \* 12/1965 Gaskell ..... A21C 7/04  
425/332
- 3,322,074 A \* 5/1967 Malnory ..... A21C 11/008  
425/195
- D224,461 S \* 7/1972 Ferris ..... D4/137
- D277,160 S \* 1/1985 Antone ..... 7/151
- D282,893 S \* 3/1986 Daenen ..... D7/676
- 5,789,009 A \* 8/1998 Kordic ..... A21D 13/41  
426/391
- D417,354 S \* 12/1999 Valenti ..... D6/582

- D569,106 S 5/2008 Maruyama
- D670,469 S \* 11/2012 Polk ..... D32/40
- D706,488 S \* 6/2014 Forrest ..... D28/63
- D715,553 S \* 10/2014 Brewer ..... D4/102
- D781,588 S \* 3/2017 Lee ..... D4/102
- D784,703 S \* 4/2017 Grabes ..... D4/102
- D787,143 S \* 5/2017 Ishibashi ..... D32/40
- 9,925,111 B2 \* 3/2018 Caberlotto ..... A61H 15/0085
- D816,342 S \* 5/2018 Tai ..... D4/100
- 10,258,141 B2 \* 4/2019 Brewer ..... A46B 5/0095

**FOREIGN PATENT DOCUMENTS**

EM 006850160-0001 \* 9/2019

**OTHER PUBLICATIONS**

5inch soft drill brush by Tongcheng City Dafuhao Brush-Making Co., Ltd. [on-line]. [Retrieved from the Internet Nov. 15, 2019]. URL: [http://guhua.d222.51kweb.com/html\\_products/5inch-soft-drill-brush-722.html](http://guhua.d222.51kweb.com/html_products/5inch-soft-drill-brush-722.html) (Year: 2019).\*

\* cited by examiner

*Primary Examiner* — Karen E Eldridge Powers

(74) *Attorney, Agent, or Firm* — Zan IP

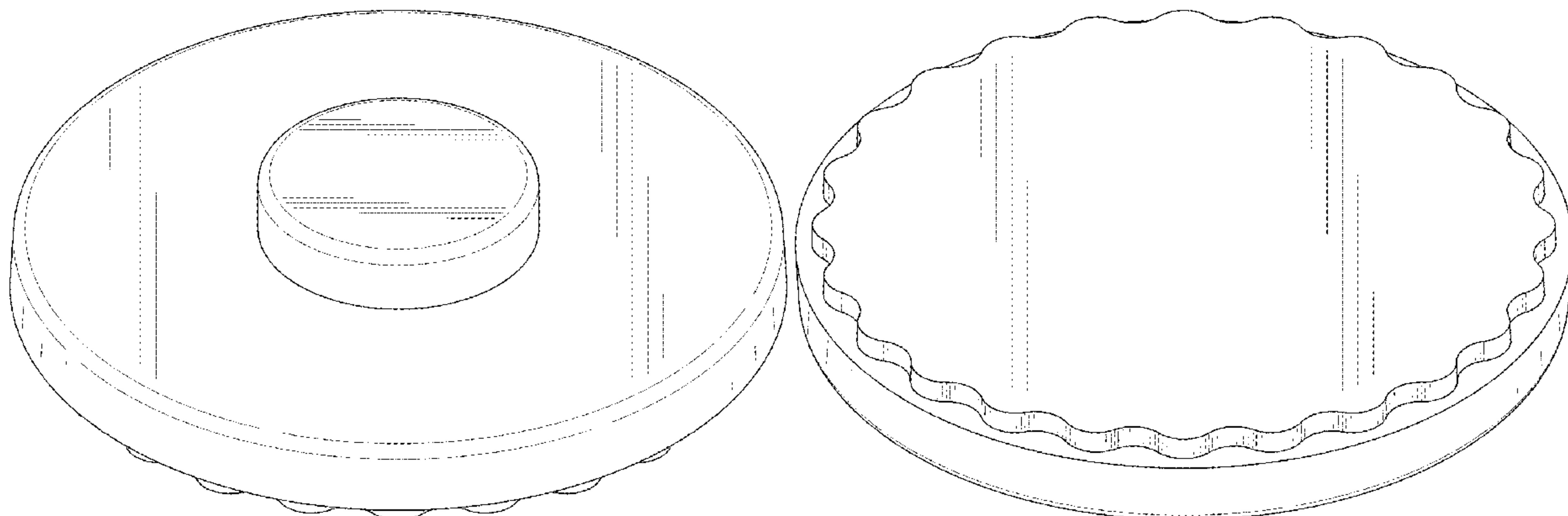
(57) **CLAIM**

The ornamental design for a detachable electric brush, as shown and described.

**DESCRIPTION**

FIG. 1 is a front and top perspective view of a detachable electric brush, showing my new design;  
FIG. 2 is a rear and bottom perspective view thereof;  
FIG. 3 is a front elevational view thereof;  
FIG. 4 is a rear elevational view thereof;  
FIG. 5 is a left side elevational view thereof;  
FIG. 6 is a right side elevational view thereof;  
FIG. 7 is a top plan view thereof; and,  
FIG. 8 is a bottom plan view thereof.

**1 Claim, 8 Drawing Sheets**



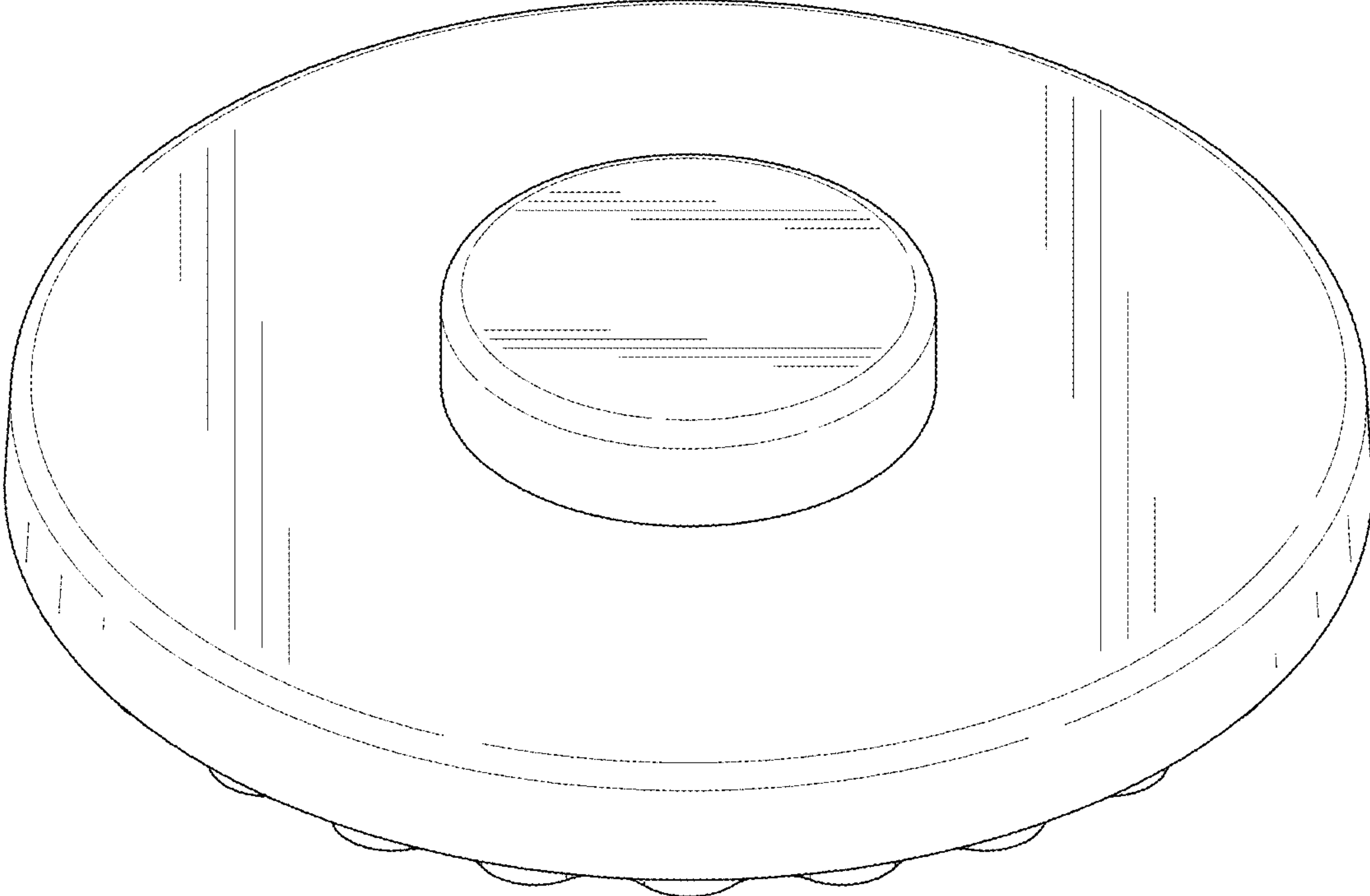


FIG. 1

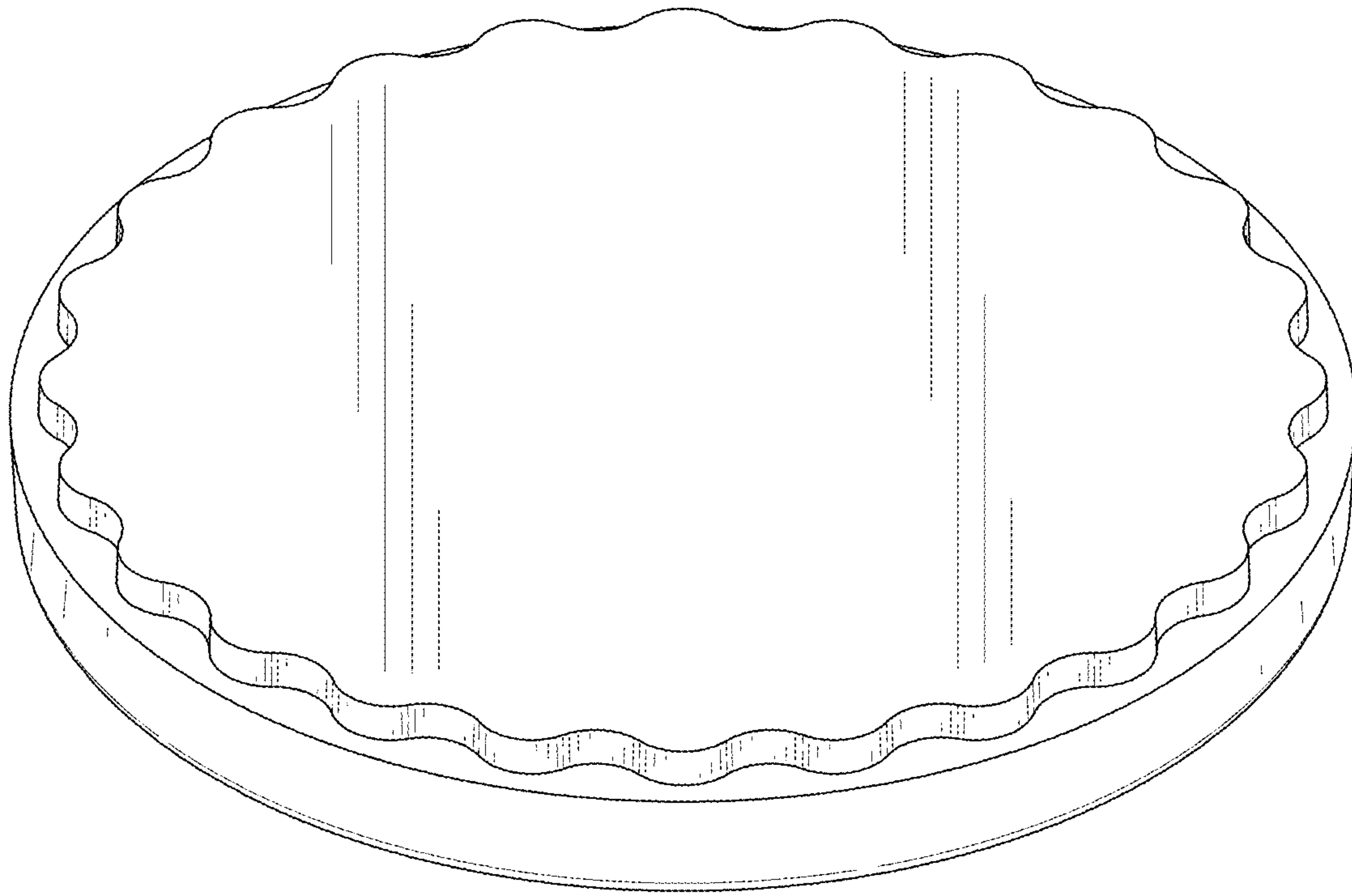


FIG. 2

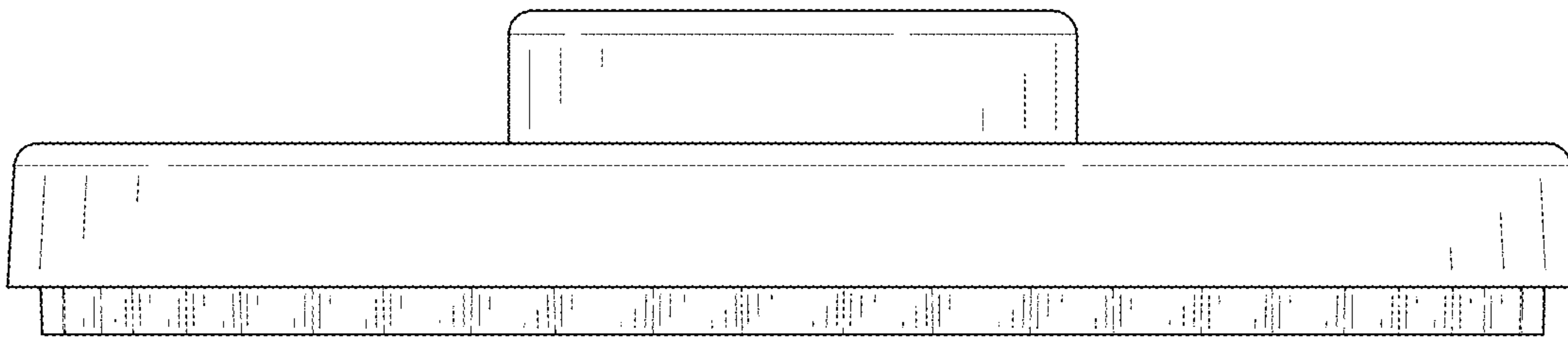


FIG. 3

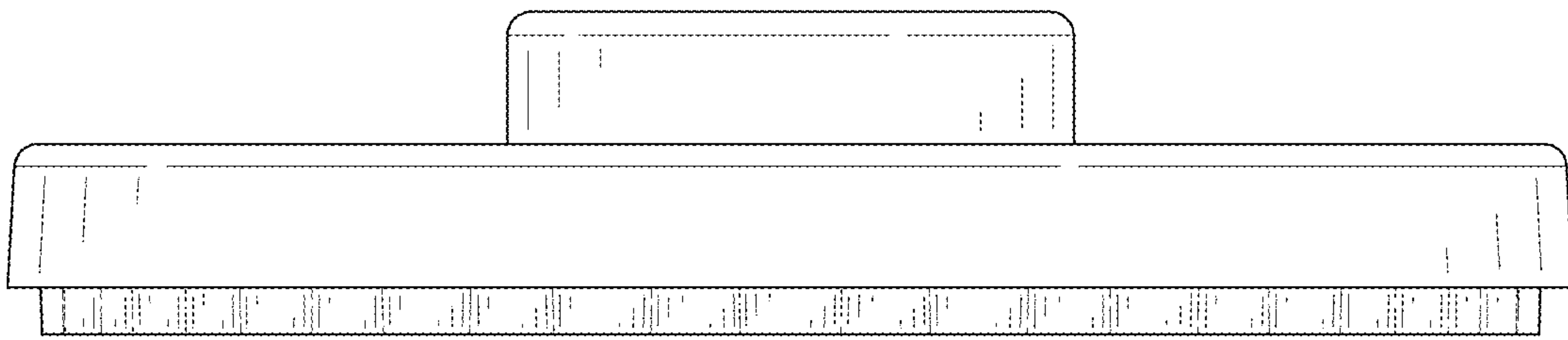


FIG. 4

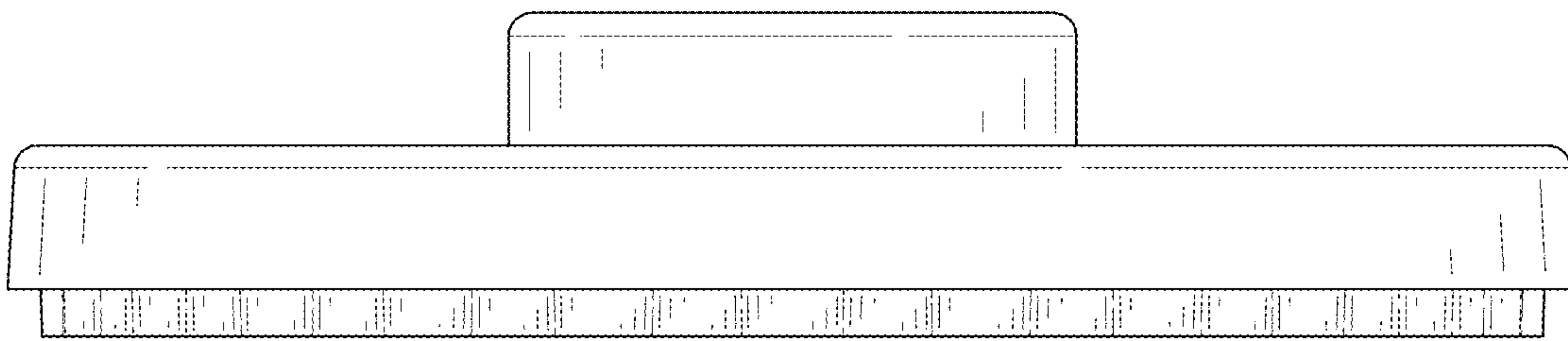


FIG. 5

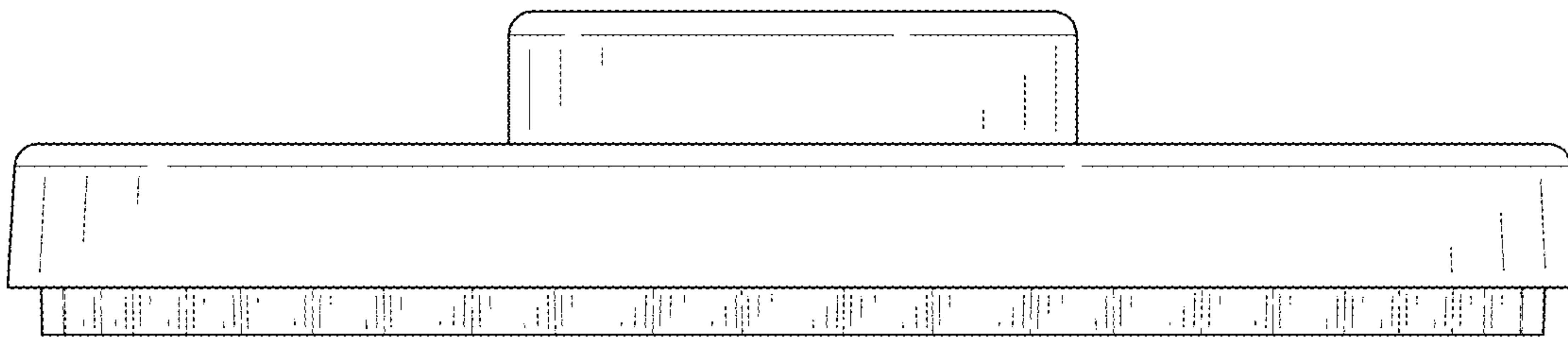


FIG. 6

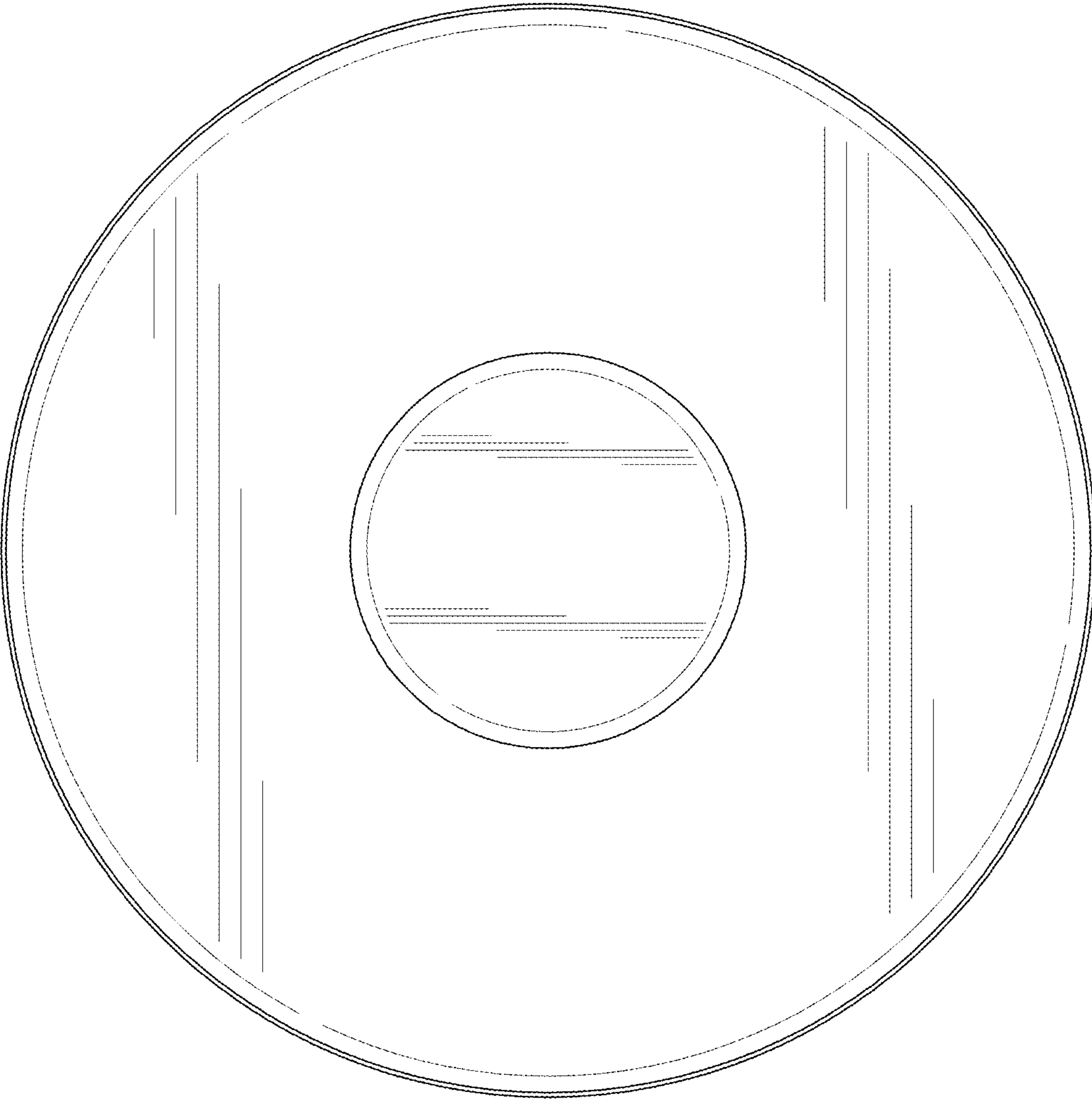


FIG. 7



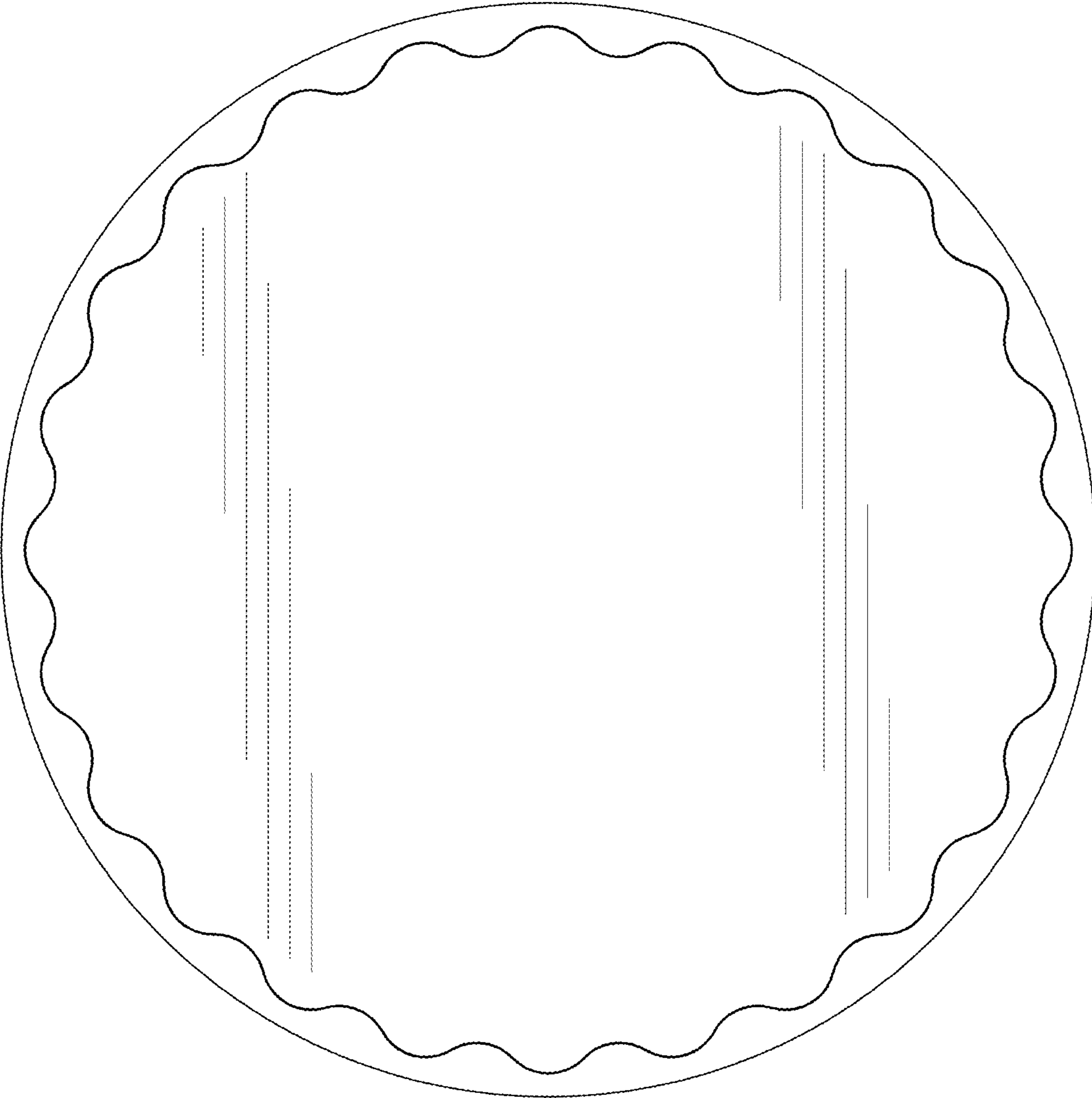


FIG. 8