

US00D874833S

(12) **United States Design Patent** (10) **Patent No.:** **US D874,833 S**
York (45) **Date of Patent:** **** Feb. 11, 2020**

(54) **HAIR COMB SET**

(71) Applicant: **Thomas Kent York**, Taipei (TW)

(72) Inventor: **Thomas Kent York**, Taipei (TW)

(73) Assignee: **ASCEND ACCESSORY LTD.**, Taipei (TW)

(**) Term: **15 Years**

(21) Appl. No.: **29/631,302**

(22) Filed: **Dec. 28, 2017**

(51) **LOC (12) Cl.** **04-99**

(52) **U.S. Cl.**
USPC **D4/116**

(58) **Field of Classification Search**

USPC D4/104–106, 108, 110, 112, 116–118,
D4/127, 128, 130, 132, 134, 119, 133,
D4/136, 199; D28/7, 10, 21, 25, 28, 29,
D28/30, 73, 74

CPC .. A46B 5/00; A46B 5/02; A46B 5/021; A46B
9/02; A46B 9/021; A46B 9/023; A46B
13/001; A46B 13/008; A46B 15/0055;
A46B 15/0081; A46B 15/0087; A46B
17/02; A46B 2200/30; A46B 2200/104;
A46B 2200/106; A46B 2200/202; A46B
2200/205; A46B 2200/207; A46B
2200/304; A46B 2200/1006; A46B
2200/1046; A46B

(Continued)

(56) **References Cited**

U.S. PATENT DOCUMENTS

D26,973 S * 4/1897 Shepherd D4/134
D29,167 S * 8/1898 Shepherd D4/127

(Continued)

Primary Examiner — Sheryl Lane

Assistant Examiner — Calvin E Vansant

(74) *Attorney, Agent, or Firm* — Che-Yang Chen; Law Offices of Scott Warmuth

(57) **CLAIM**

The ornamental design for a hair comb set, as shown and described.

DESCRIPTION

FIG. 1 is a perspective view of a hair comb set showing my new design;

FIG. 2 is a perspective view of a comb body of the hair comb set;

FIG. 3 is a front elevational view of the comb body of the hair comb set;

FIG. 4 is a rear elevational view of the comb body of the hair comb set;

FIG. 5 is a left side elevational view of the comb body of the hair comb set;

FIG. 6 is a right side elevational view of the comb body of the hair comb set;

FIG. 7 is a top plan view of the comb body of the hair comb set;

FIG. 8 is a bottom plan view of the comb body of the hair comb set;

FIG. 9 is a perspective view of a comb cover of the hair comb set;

FIG. 10 is a front elevational view of the comb cover of the hair comb set;

FIG. 11 is a rear elevational view of the comb cover of the hair comb set;

FIG. 12 is a left side elevational view of the comb cover of the hair comb set;

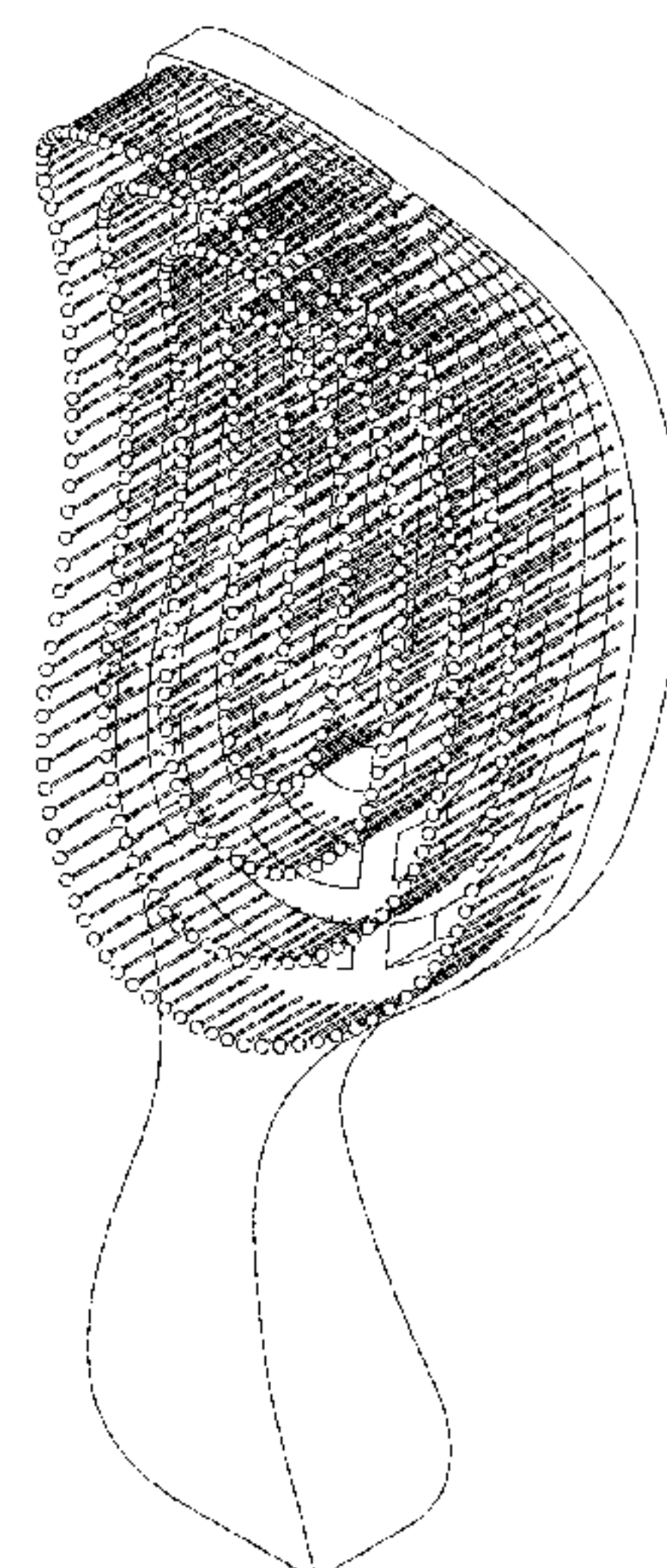
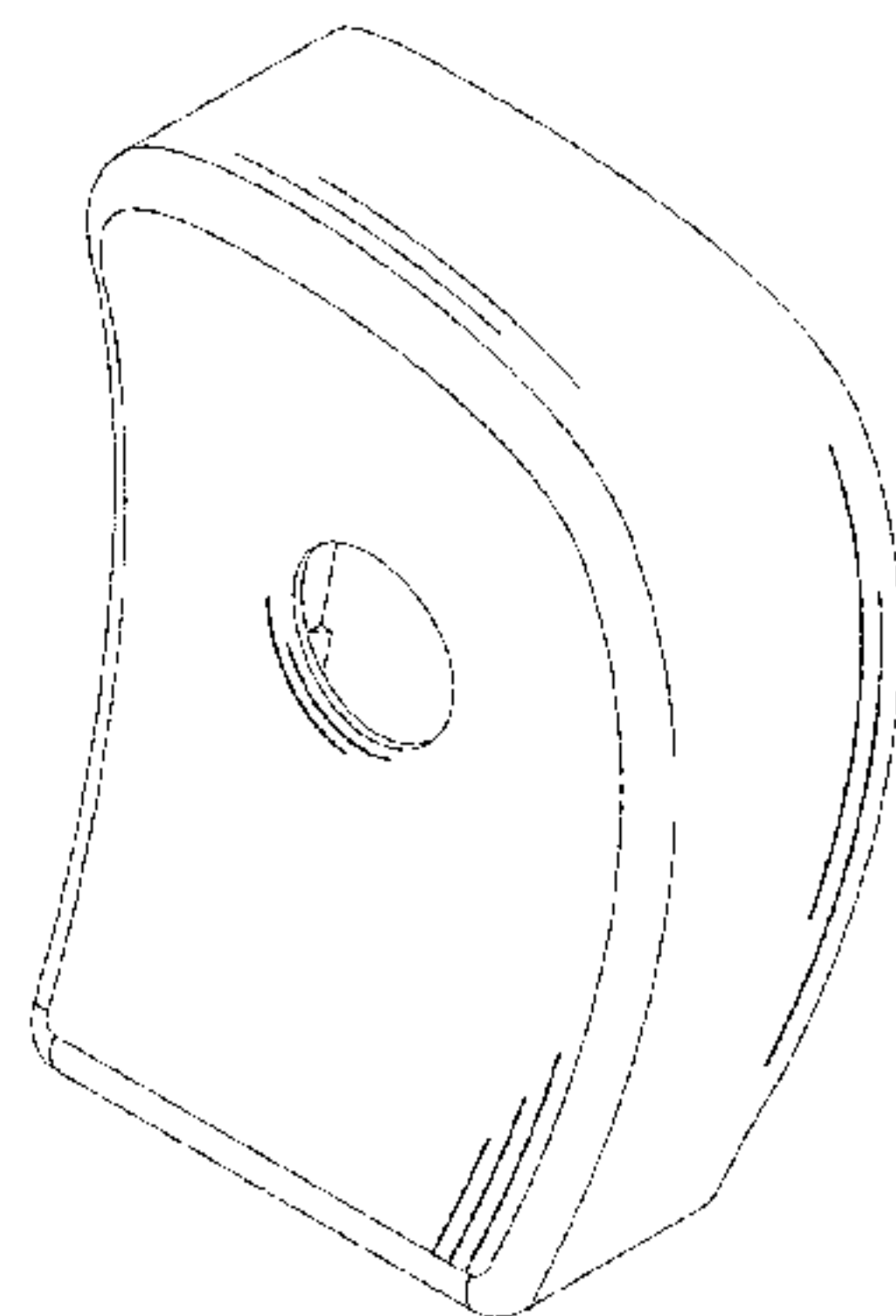
FIG. 13 is a right side elevational view of the comb cover of the hair comb set;

FIG. 14 is a top plan view of the comb cover of the hair comb set; and,

FIG. 15 is a bottom plan view of the comb cover of the hair comb set.

The broken lines shown in FIG. 11 are for the purpose of illustrating portions of the comb cover of the hair comb set which form no part of the claimed design.

1 Claim, 15 Drawing Sheets



(58) **Field of Classification Search**

CPC 2200/1053; A46B 2200/3006; A46B
2200/30033; A46B 2200/3093; A46B
2200/3003; A45D 24/10; A45D 24/14;
A45D 24/16; H01L 21/67046

See application file for complete search history.

(56) **References Cited**

U.S. PATENT DOCUMENTS

2,051,009 A * 8/1936 Porter A46B 17/04
15/184
D132,814 S * 6/1942 Schwartz D4/134
D282,603 S * 2/1986 Piero D4/108
D387,480 S * 12/1997 Esraelian A46B 17/04
D28/63
D764,808 S * 8/2016 Rosenzweig D4/132
D784,705 S * 4/2017 York A46B 9/023
D4/128
D826,574 S * 8/2018 York D4/138
D845,644 S * 4/2019 Kuo D4/134
2018/0027948 A1* 2/2018 Troy A46B 9/023

* cited by examiner

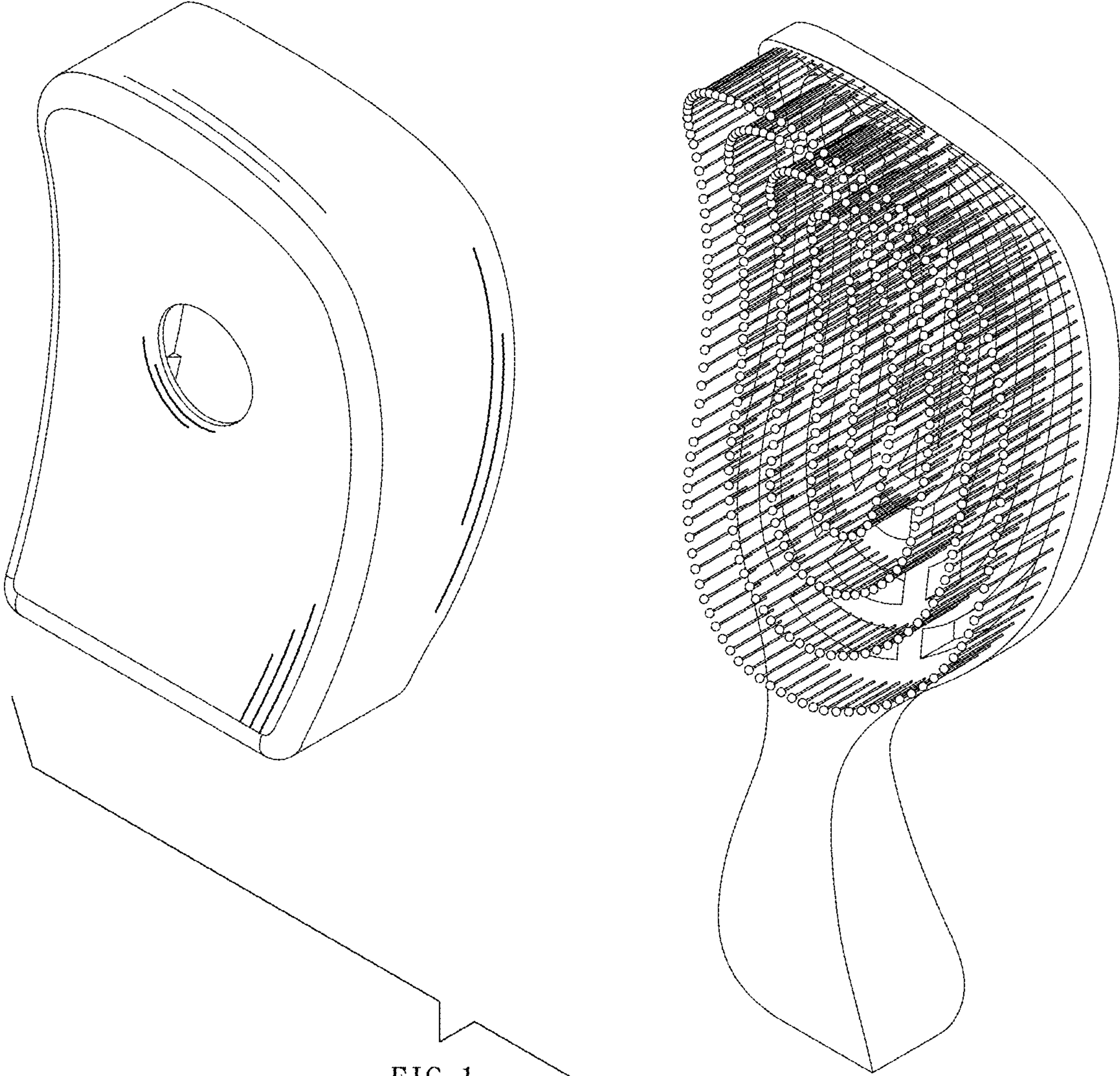


FIG. 1

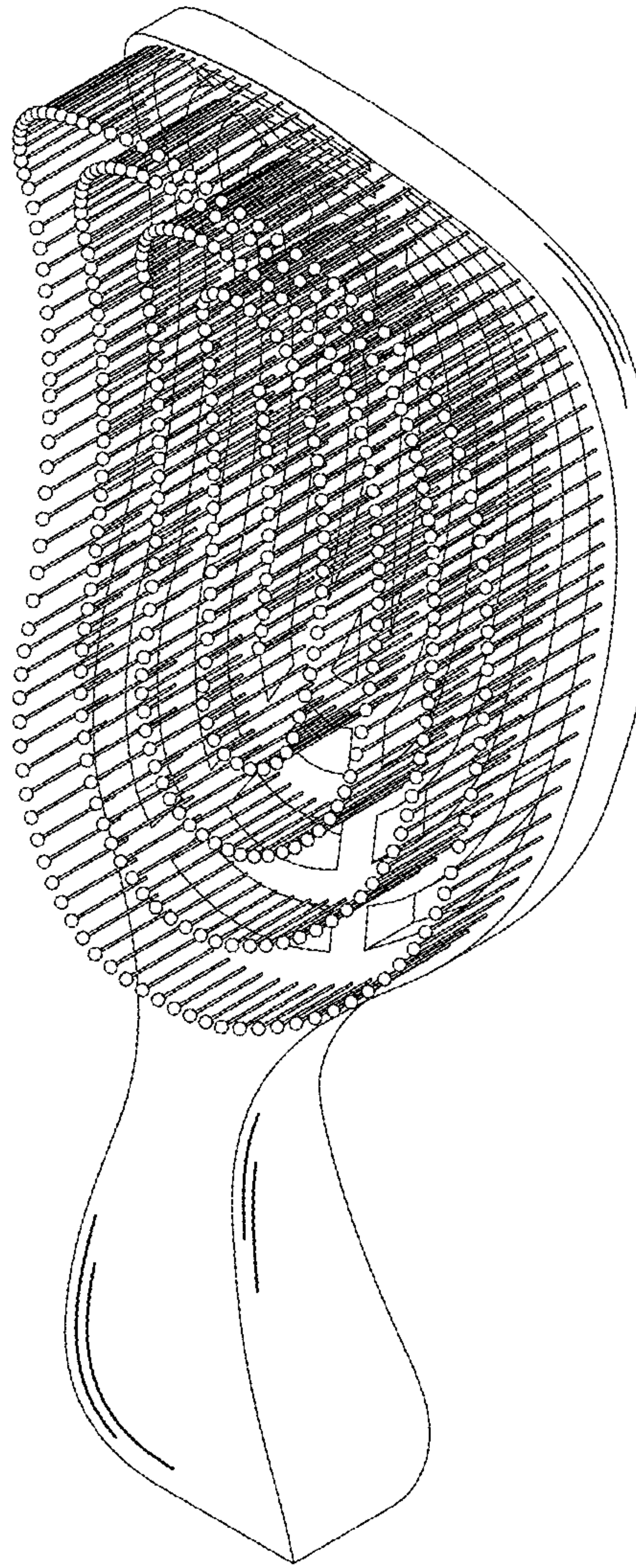


FIG. 2

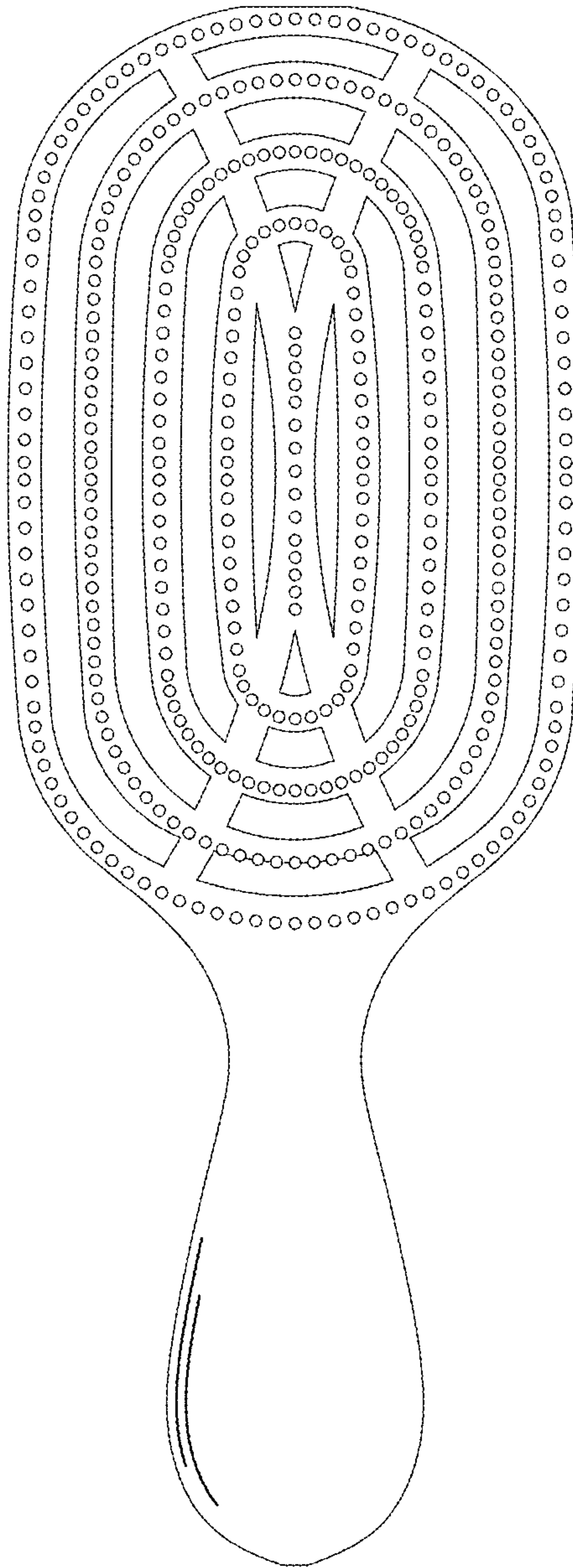


FIG. 3

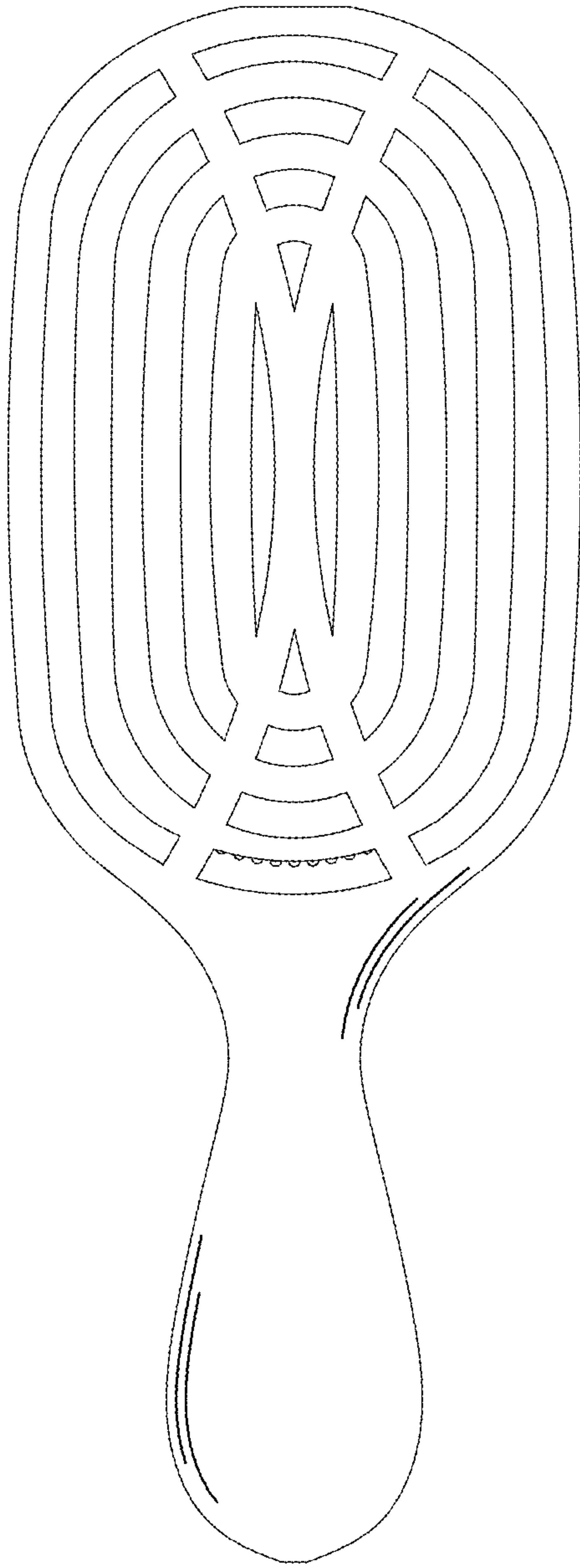


FIG. 4

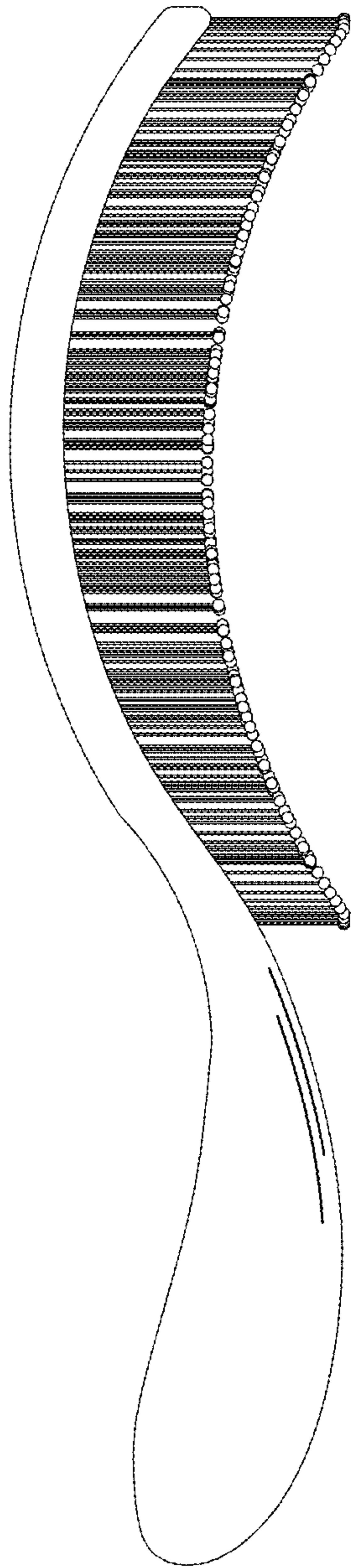


FIG. 5

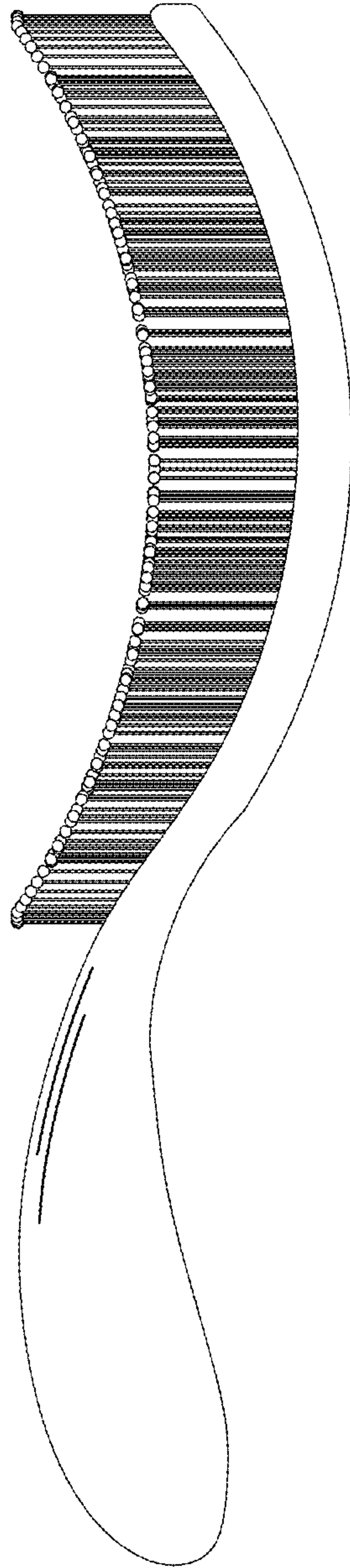


FIG. 6

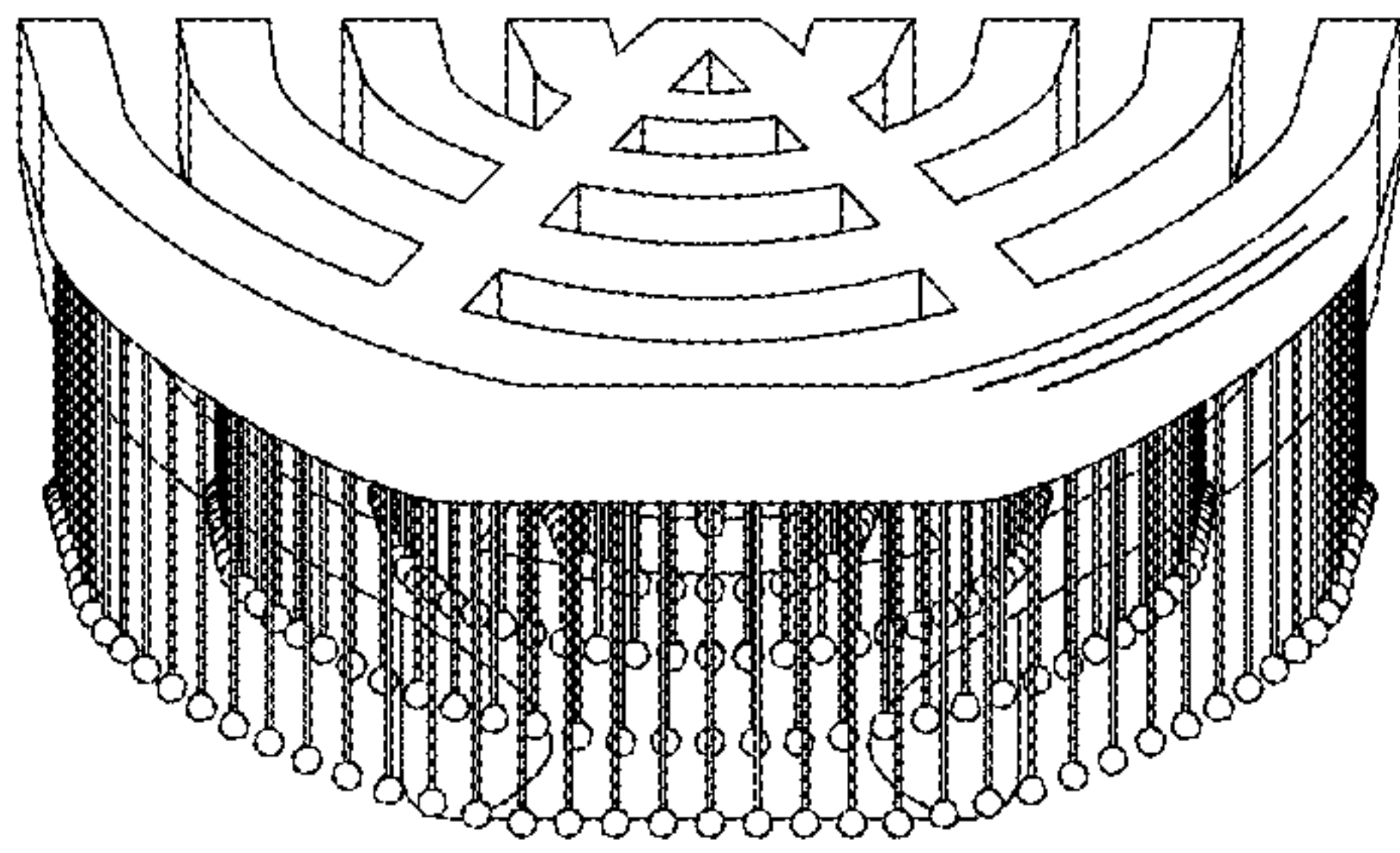


FIG. 7

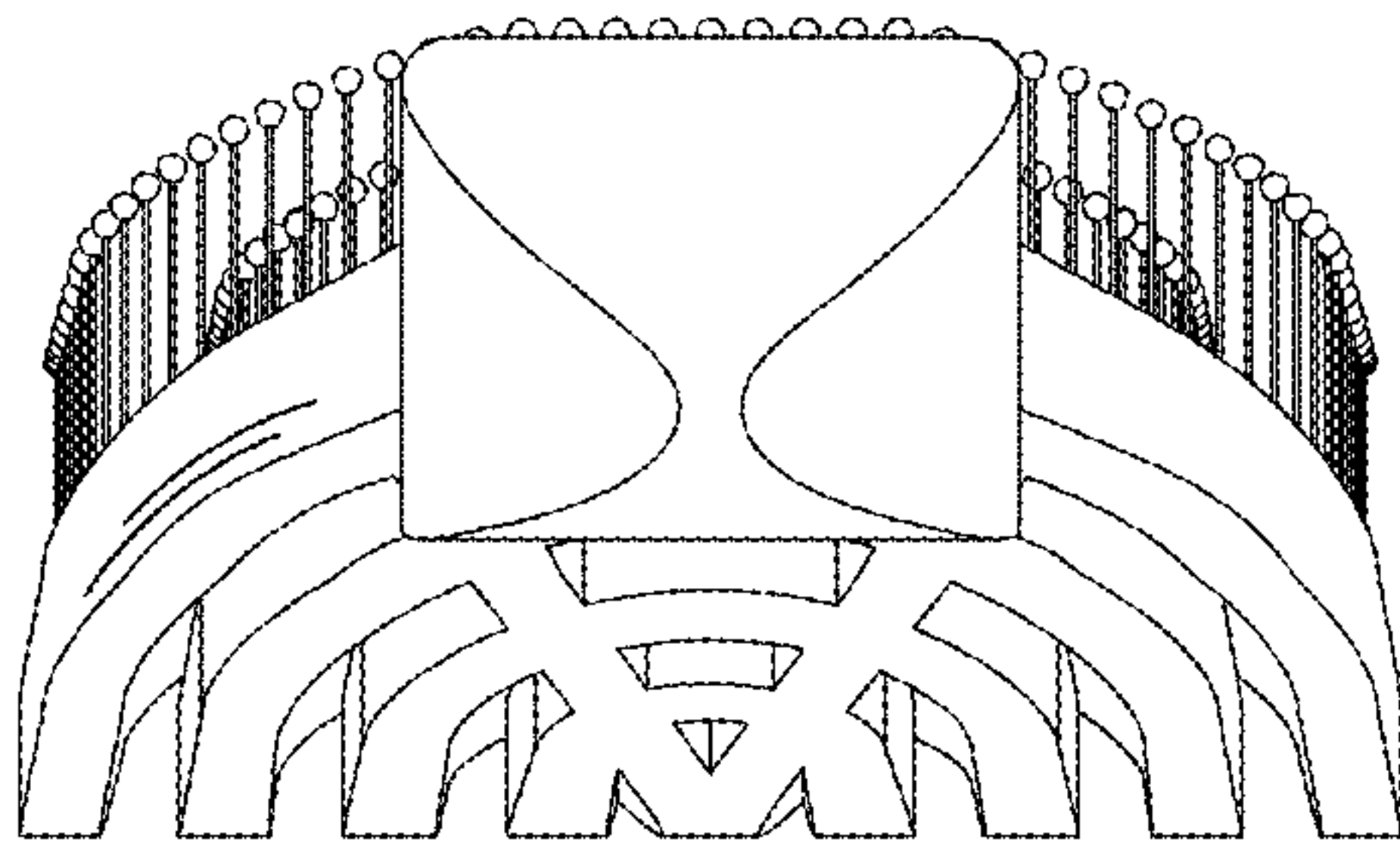


FIG. 8

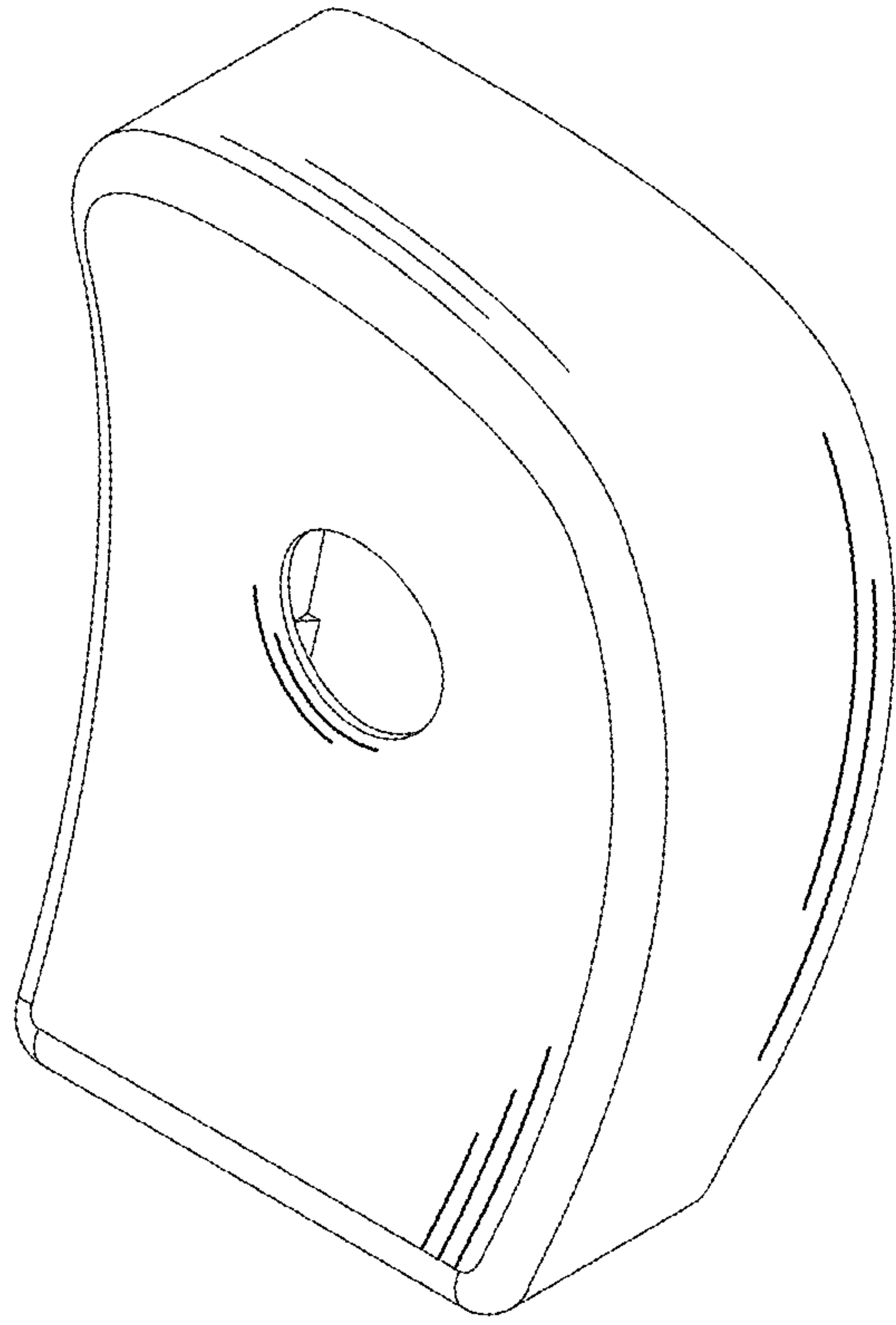


FIG. 9

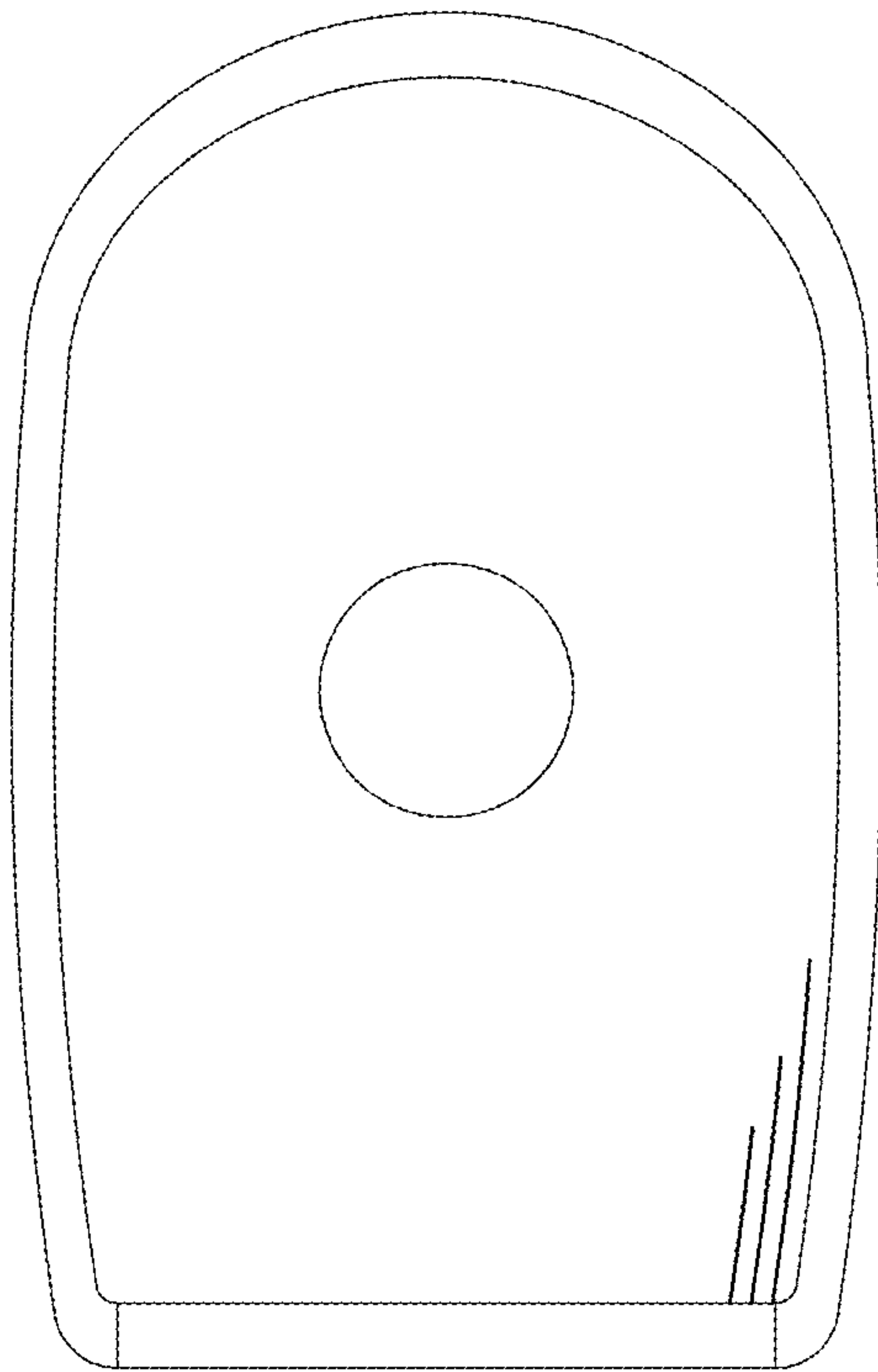


FIG. 10

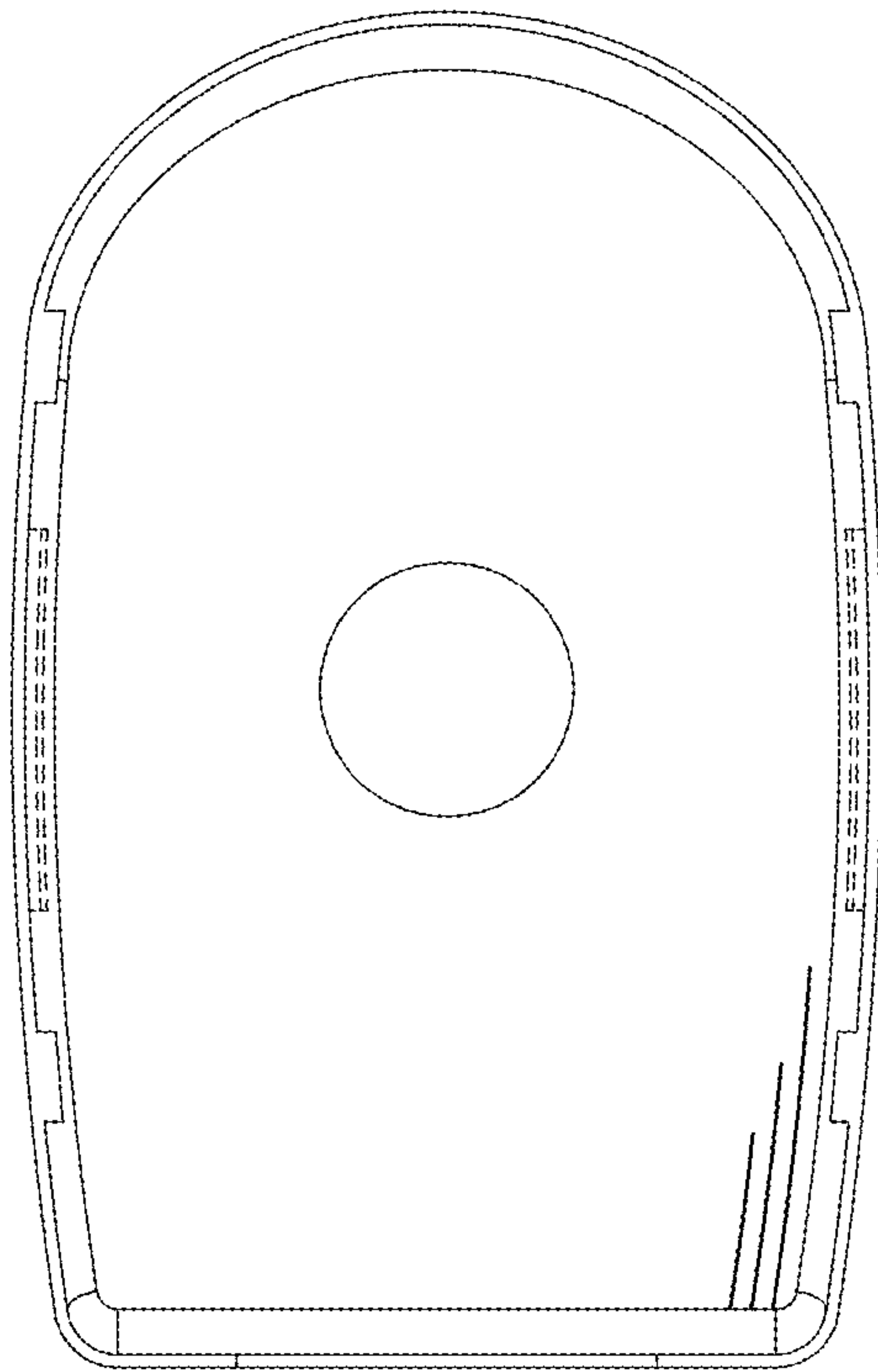


FIG. 11

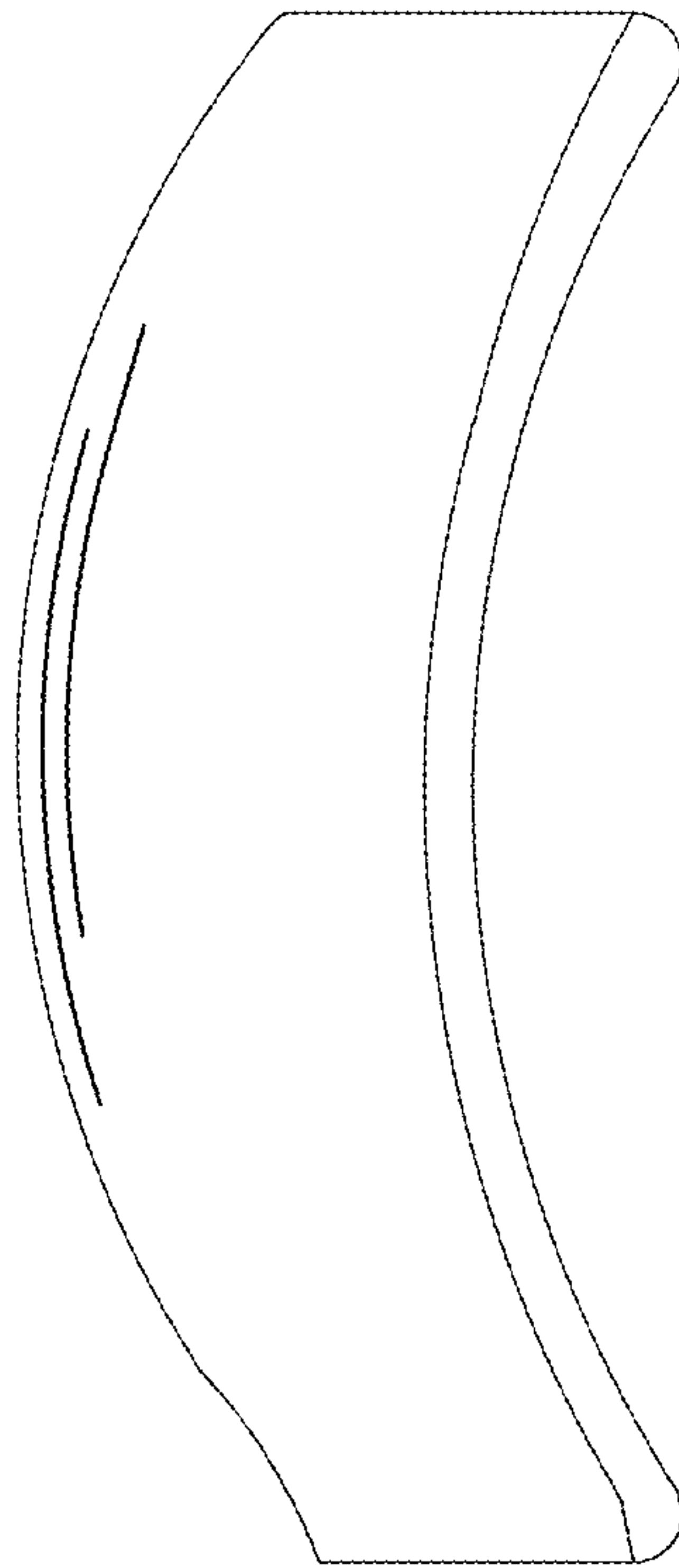


FIG. 12

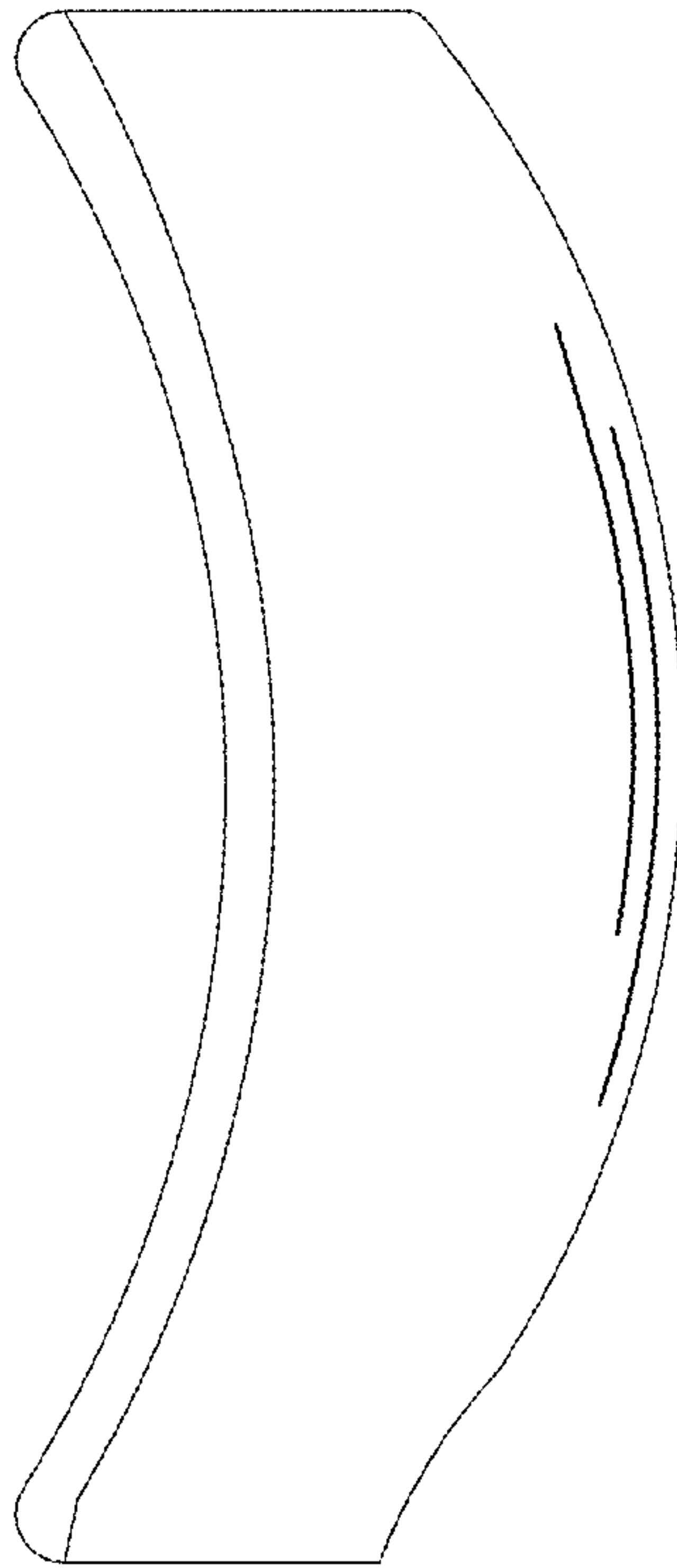


FIG. 13

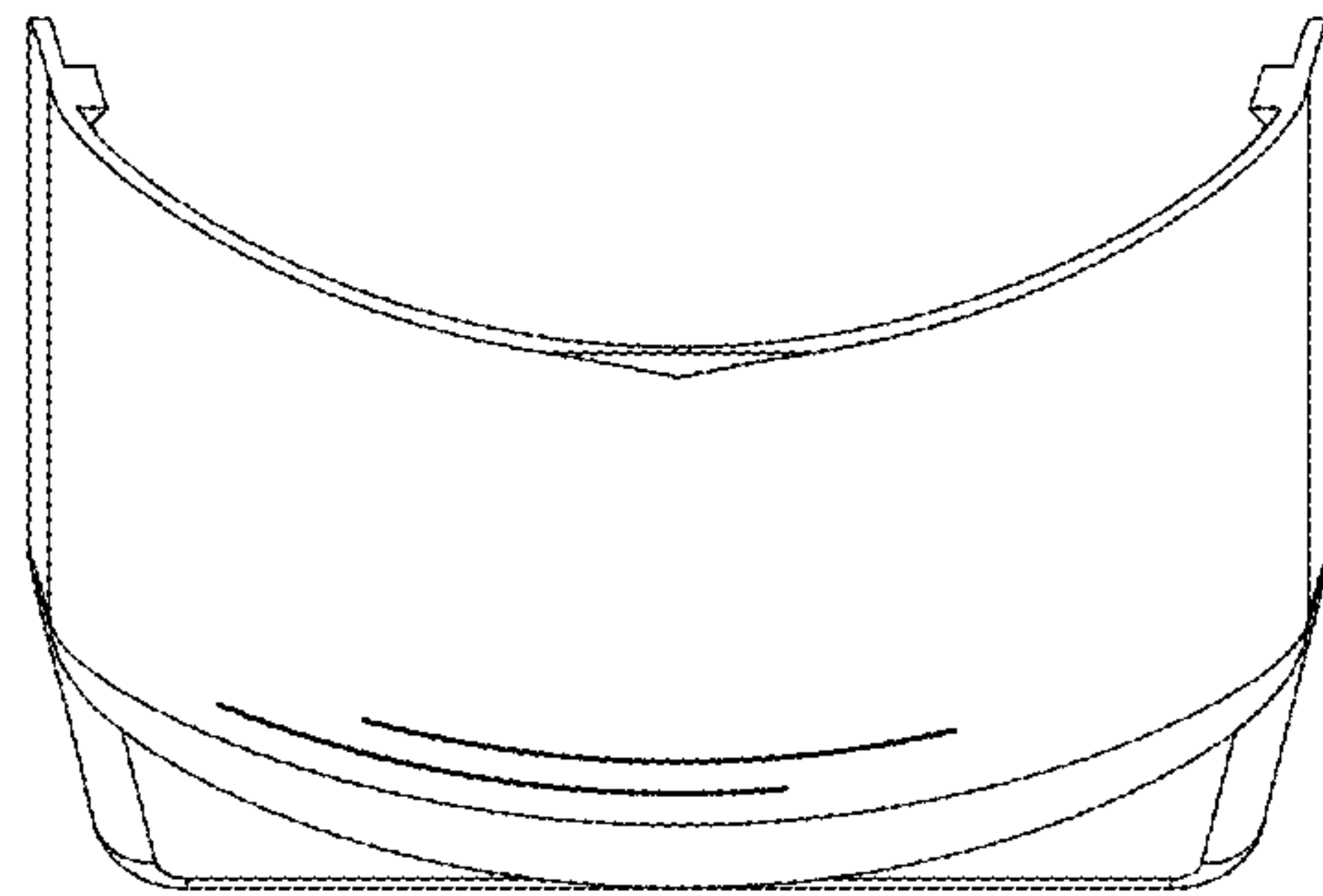


FIG. 14

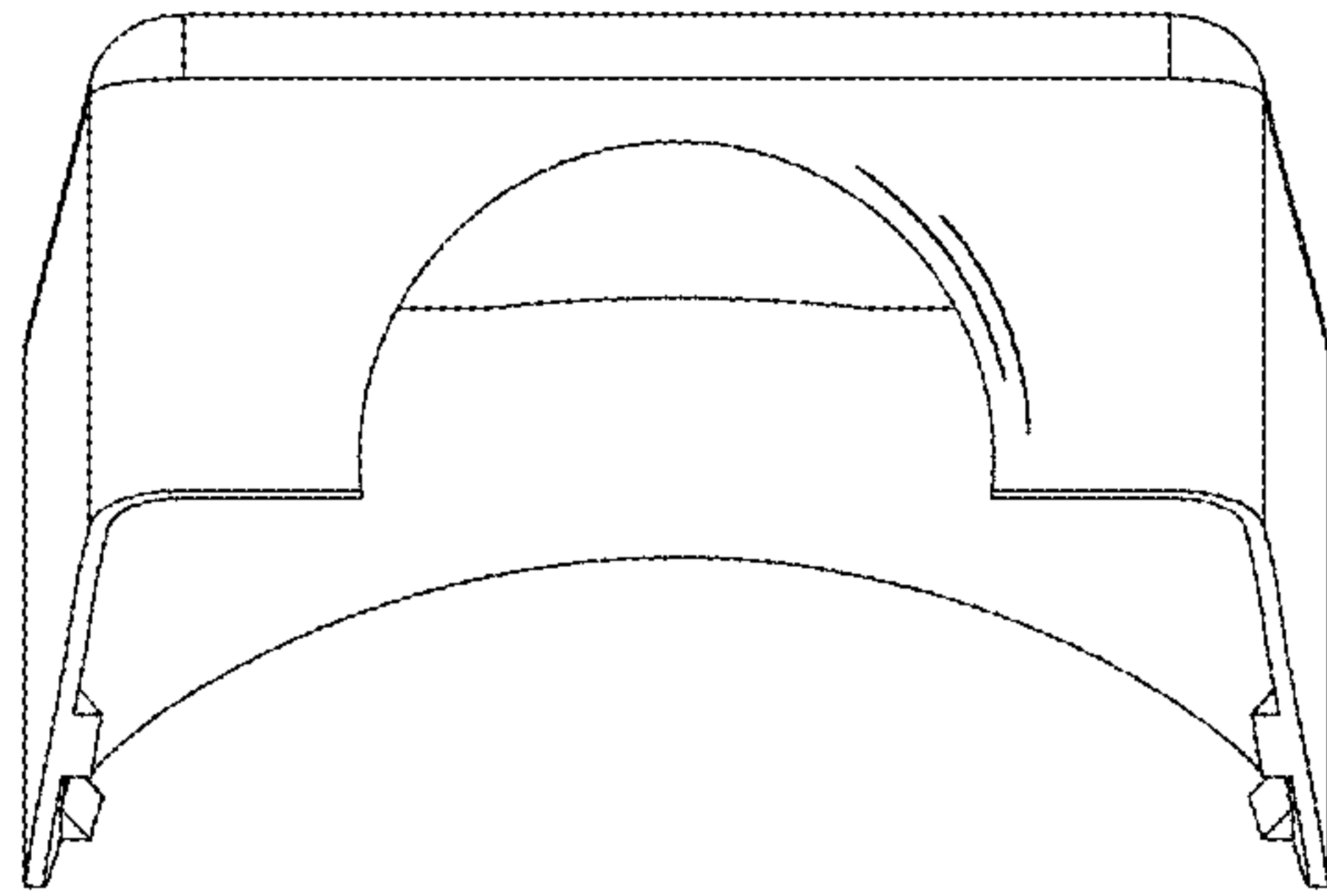


FIG. 15