



US00D874829S

(12) **United States Design Patent**  
**Marshall**

(10) **Patent No.:** **US D874,829 S**

(45) **Date of Patent:** **\*\* Feb. 11, 2020**

(54) **GOLF BAG TOP CUFF**

(71) Applicant: **Acushnet Company**, Fairhaven, MA  
(US)

(72) Inventor: **Duane Marshall**, East Greenwich, RI  
(US)

(73) Assignee: **Acushnet Company**, Fairhaven, MA  
(US)

(\*\*) Term: **15 Years**

(21) Appl. No.: **29/665,281**

(22) Filed: **Oct. 2, 2018**

(51) **LOC (12) Cl.** ..... **03-01**

(52) **U.S. Cl.**  
USPC ..... **D3/318; D3/255**

(58) **Field of Classification Search**  
USPC ..... D3/255, 318  
CPC ..... A63B 55/00; A63B 57/00; A63B 44/404;  
A63B 55/406; A63B 55/10; A63B 55/60;  
A63B 55/40  
See application file for complete search history.

(56) **References Cited**

**U.S. PATENT DOCUMENTS**

D364,737 S	*	12/1995	Perrin	.....	D3/255
D382,397 S	*	8/1997	Wu	.....	D3/255
D405,607 S	*	2/1999	Sundara	.....	D3/255
6,109,433 A	*	8/2000	Pratt	.....	A63B 55/40 206/315.6
6,513,653 B1		2/2003	Chen		

D489,532 S		5/2004	Reimers	
D517,808 S		3/2006	Reimers	
D525,034 S	*	7/2006	Vosloo	..... D3/320
D632,890 S		2/2011	Reimers	
D669,266 S		10/2012	Loudenslager et al.	

\* cited by examiner

*Primary Examiner* — Holly H Baynham

(74) *Attorney, Agent, or Firm* — Daniel W. Sullivan

(57) **CLAIM**

The ornamental design for a golf bag top cuff, as shown and described.

**DESCRIPTION**

FIG. 1 is a first perspective view of the golf bag top cuff of this invention;

FIG. 2 is a first side view of the golf bag top cuff of this invention;

FIG. 3 is a front view of the golf bag top cuff of this invention;

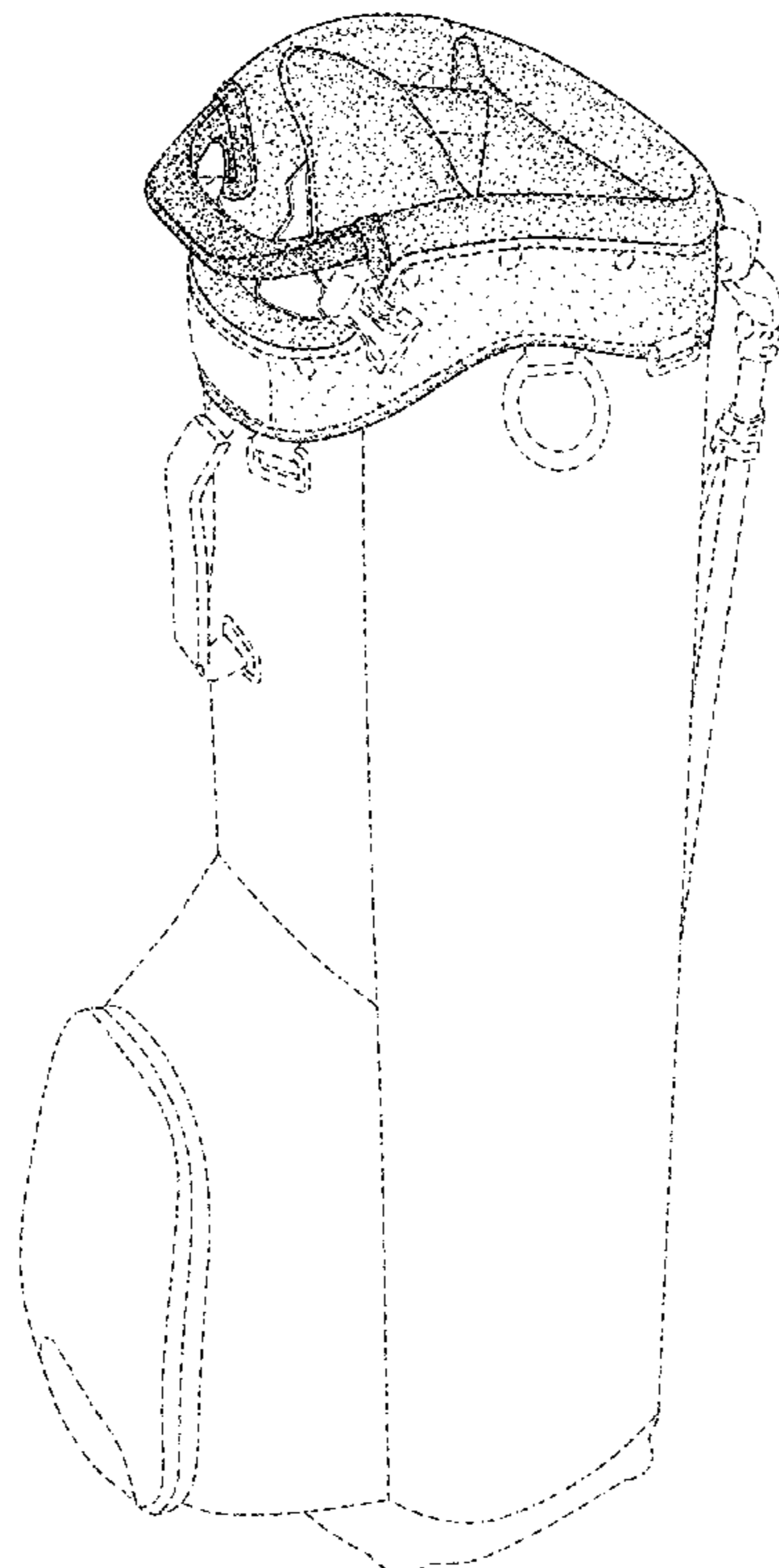
FIG. 4 is a first side view of the golf bag top cuff of this invention;

FIG. 5 is a rear view of the golf bag top cuff of this invention; and,

FIG. 6 is a top plan view of the golf bag top cuff of this invention.

In FIGS. 1-6, the broken lines depict unclaimed portions of the golf bag. The broken lines visible on the surface of the top cuff of the golf bag in FIGS. 1-6 represent claimed stitching. The dot-dashed boundary line visible in FIGS. 1 and 6 represents the bounds of the claim and forms no part of the claimed design.

**1 Claim, 4 Drawing Sheets**



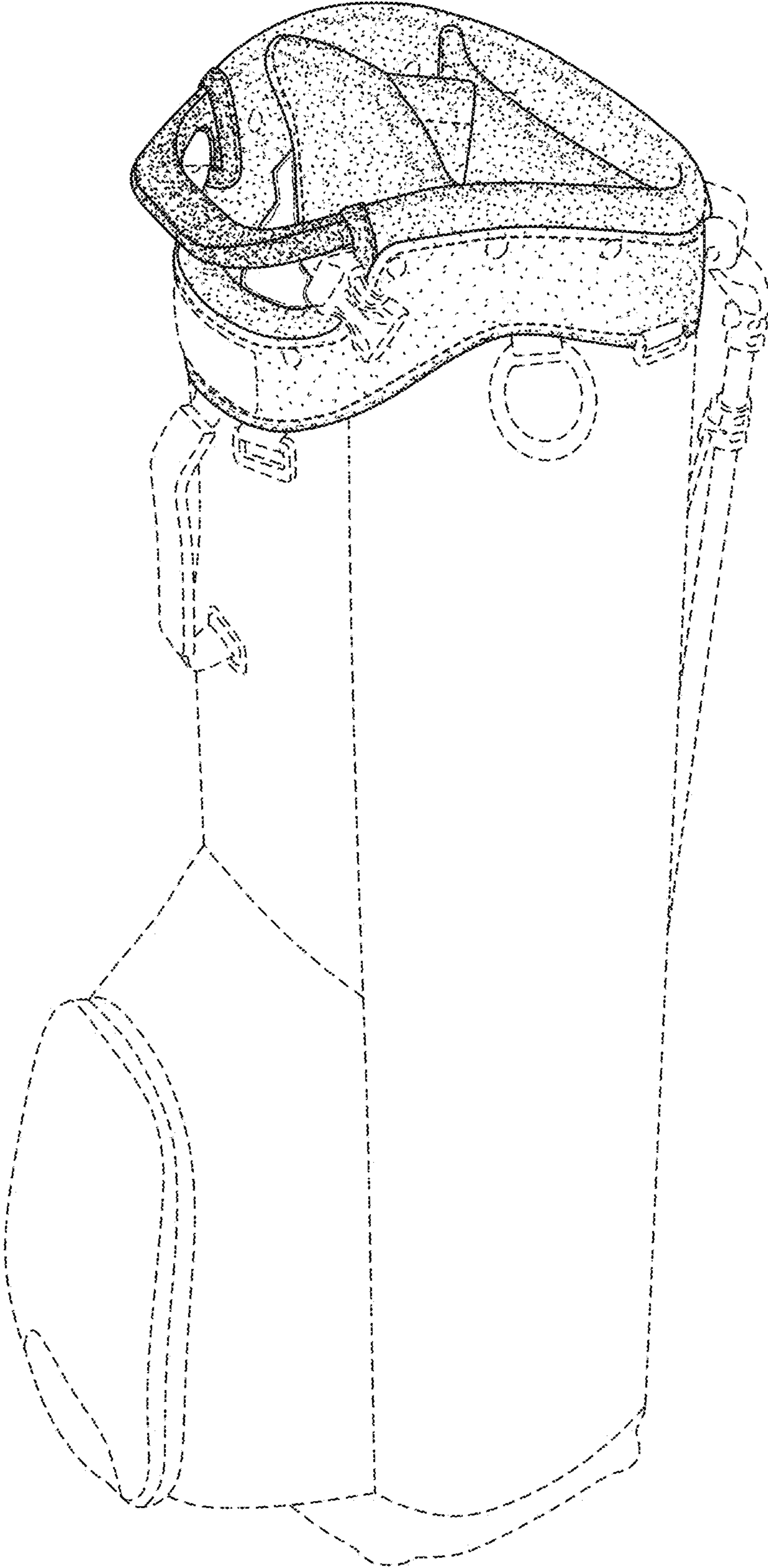


FIG. 1

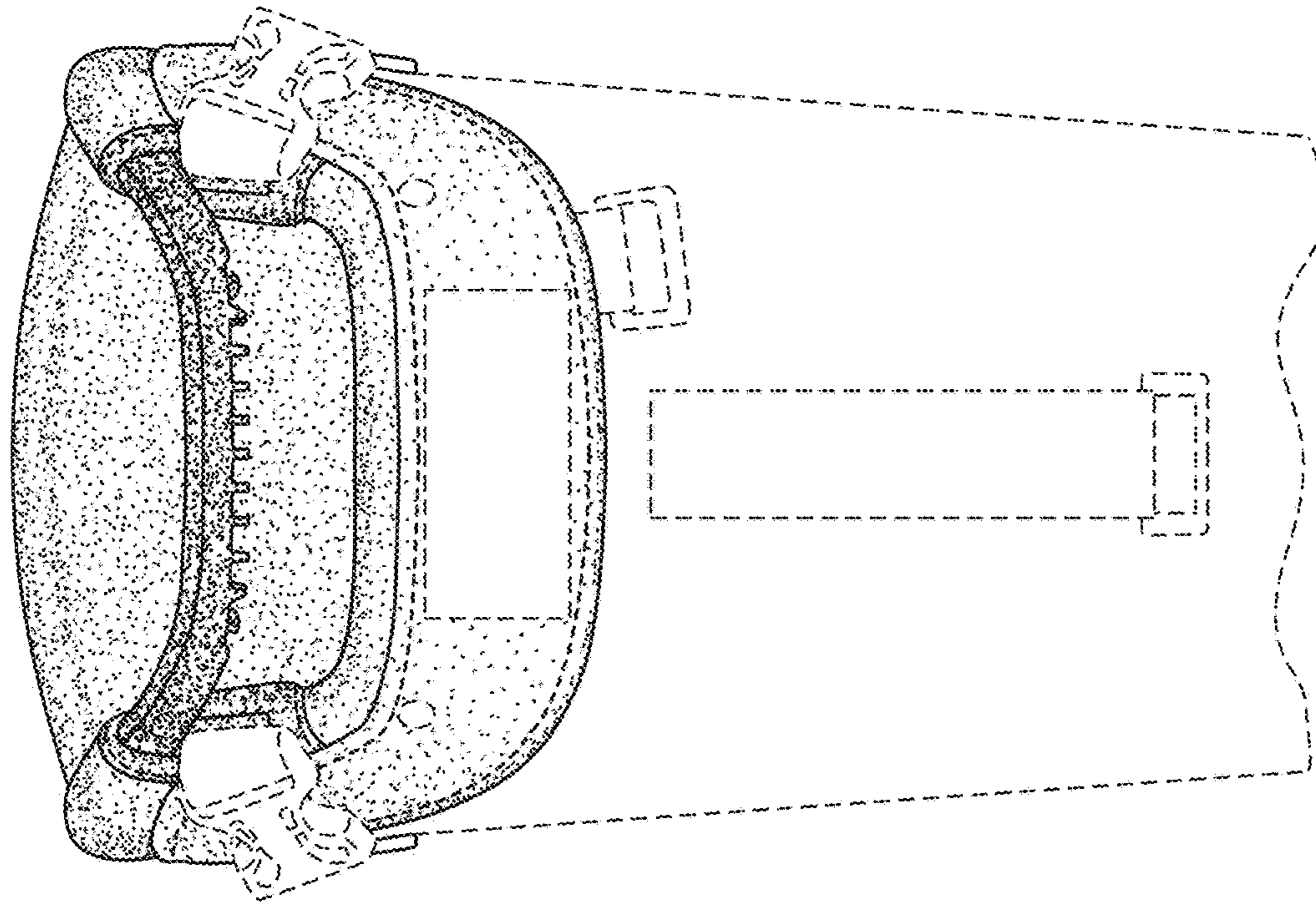


FIG. 3

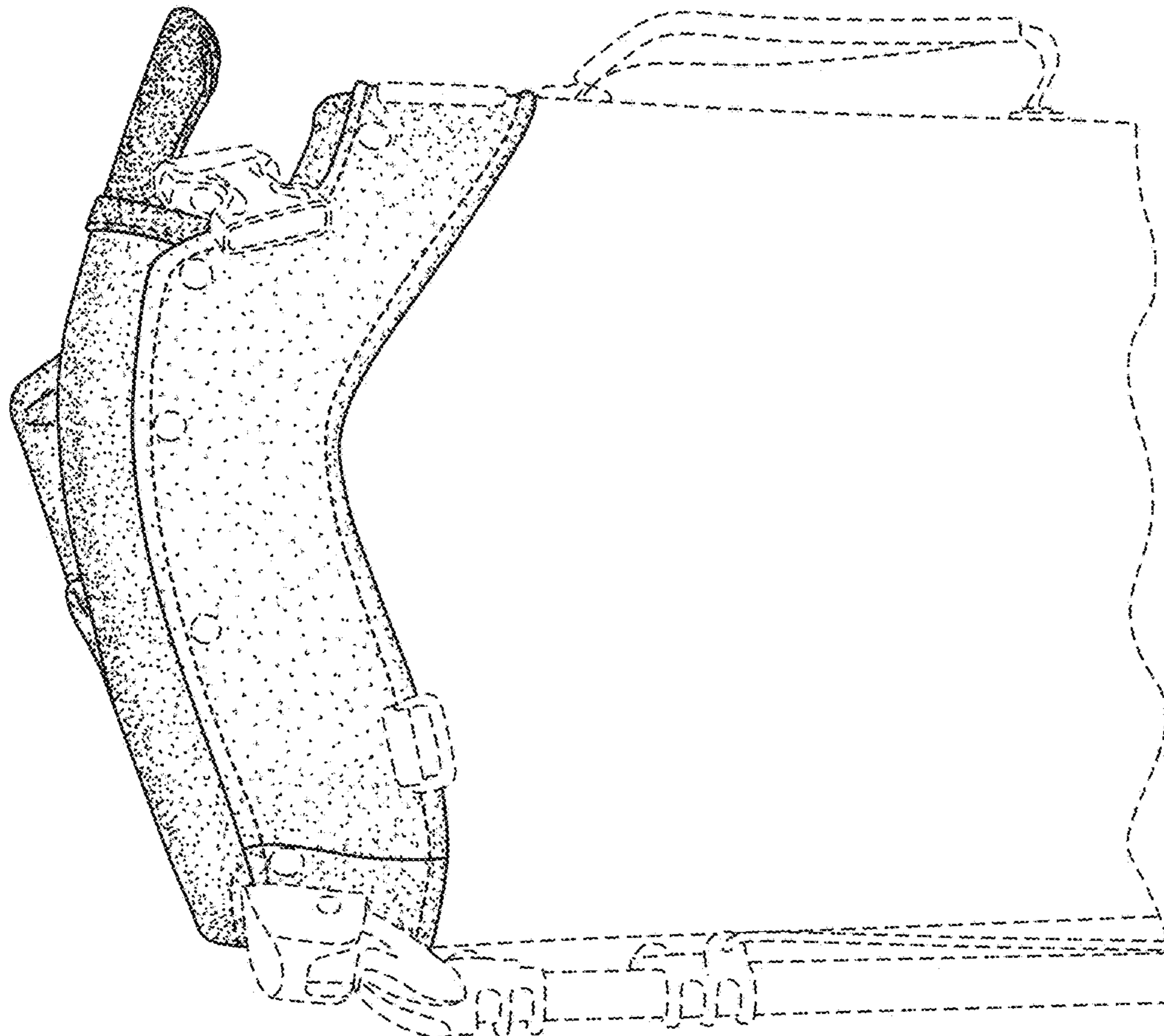


FIG. 2

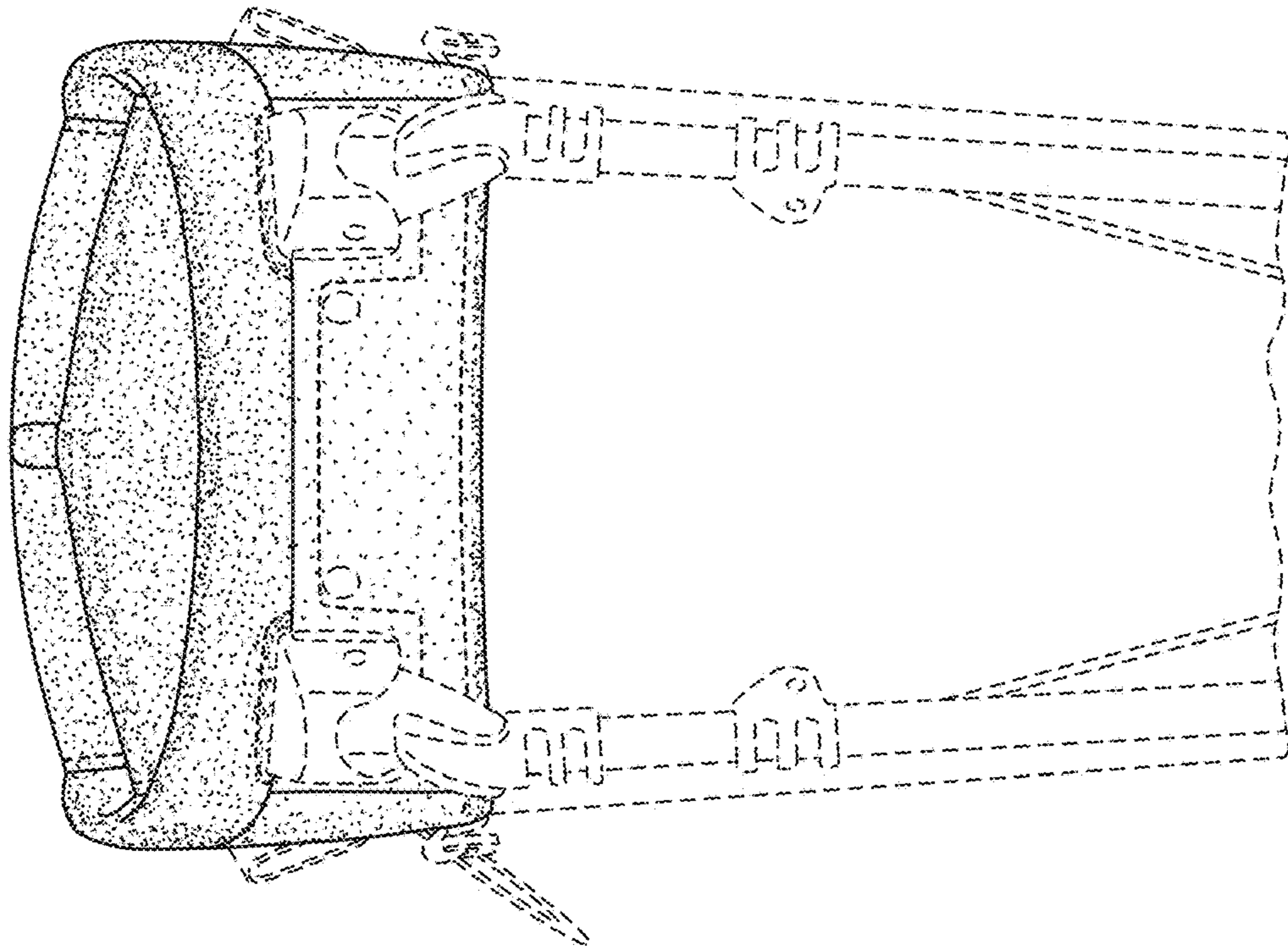


FIG. 5

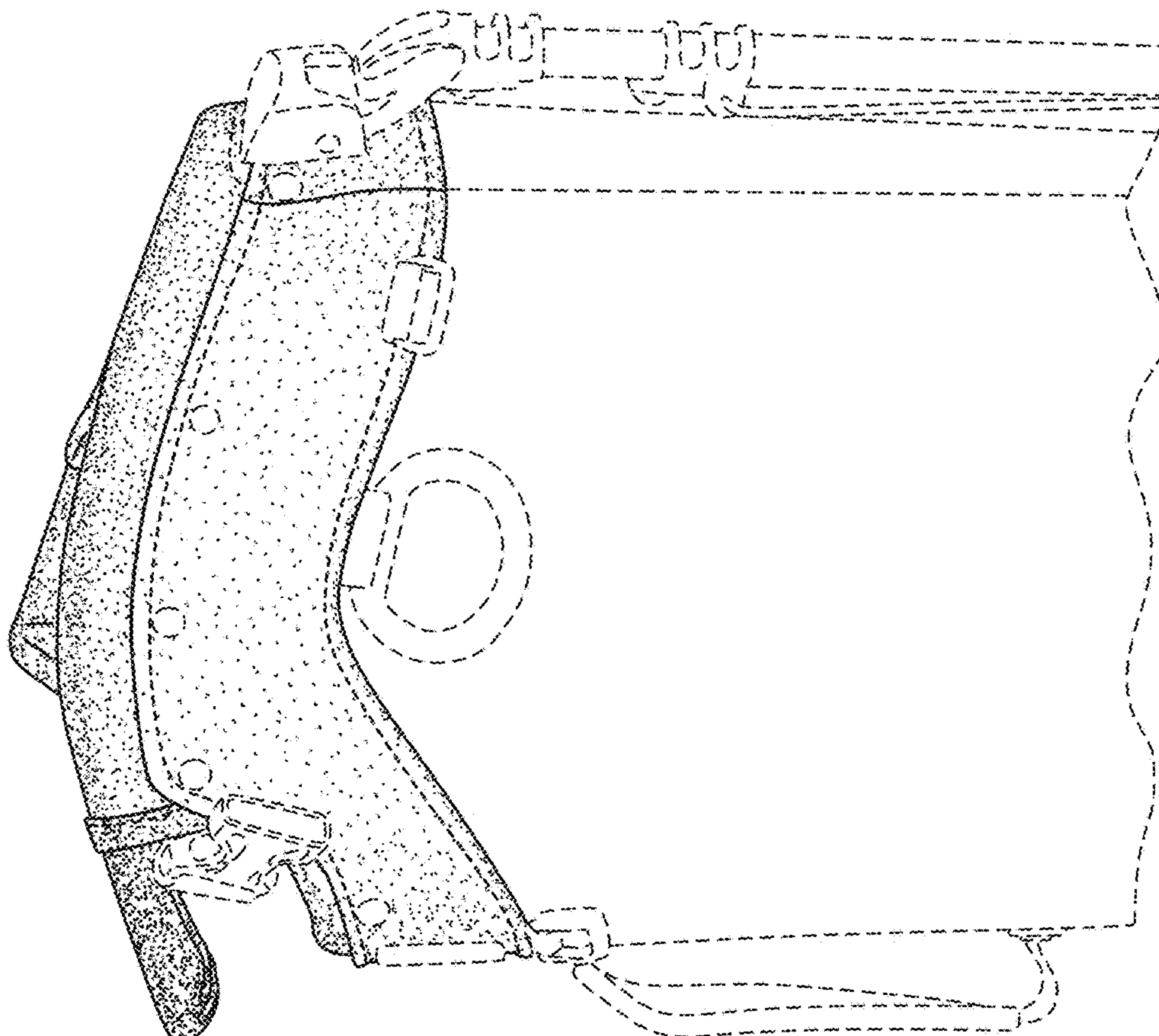


FIG. 4

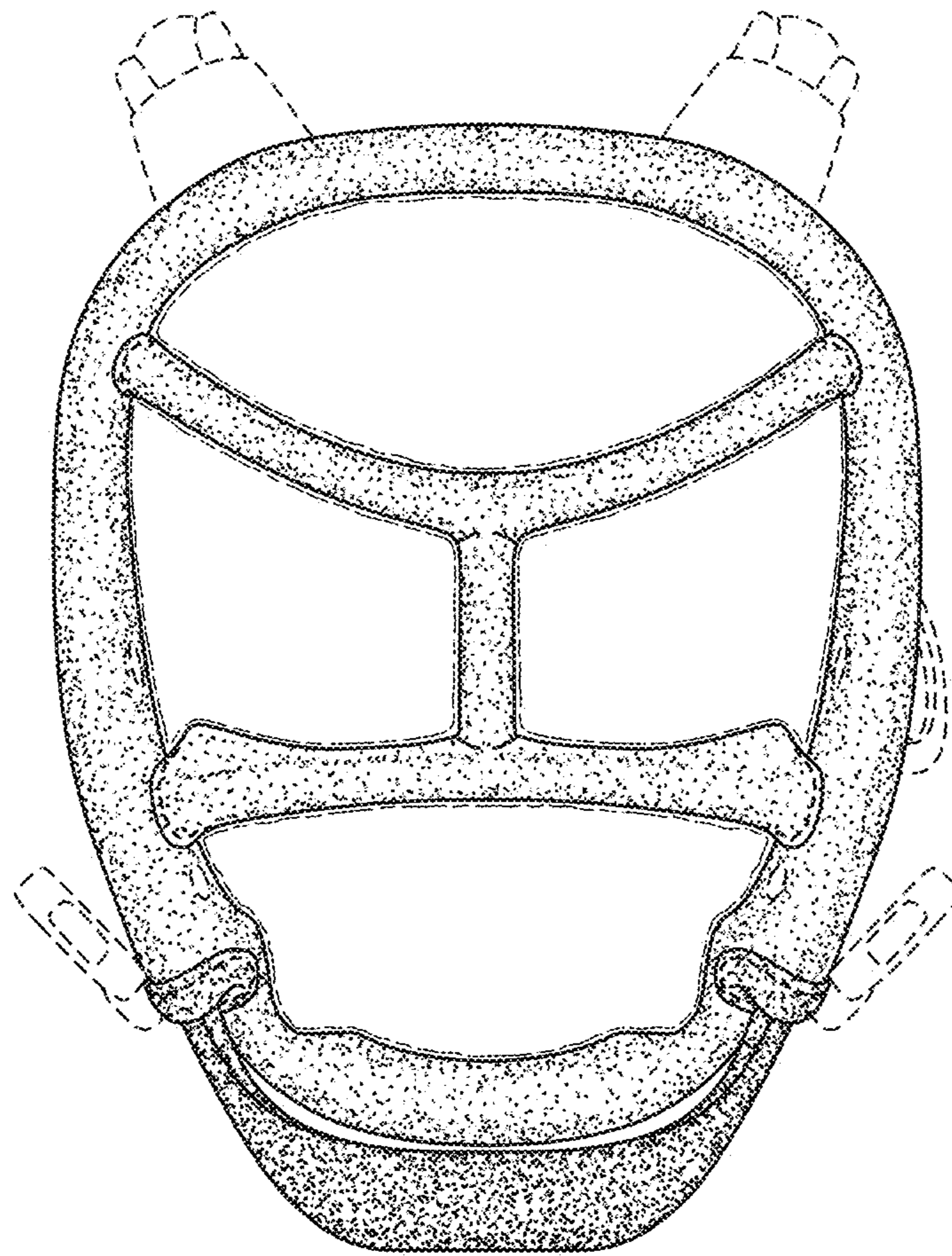


FIG. 6