



US00D874828S

(12) **United States Design Patent**  
**Feyereisen et al.**

(10) **Patent No.:** **US D874,828 S**  
(45) **Date of Patent:** **\*\* Feb. 11, 2020**

- (54) **PAINT SPRAYER STORAGE DEVICE**
- (71) Applicant: **Feyer Finishing Products LLC**,  
Woodbury, MN (US)
- (72) Inventors: **Bradley Thomas Feyereisen**,  
Woodbury, MN (US); **Robert Donald**  
**Feyereisen**, Minneapolis, MN (US)
- (73) Assignee: **Feyer Finishing Products LLC**,  
Woodbury, MN (US)
- (\*\*) Term: **15 Years**
- (21) Appl. No.: **29/623,735**
- (22) Filed: **Oct. 26, 2017**
- (51) **LOC (12) Cl.** ..... **03-03**
- (52) **U.S. Cl.**  
USPC ..... **D3/315**
- (58) **Field of Classification Search**  
USPC ..... D3/313, 315  
CPC . B25H 3/00; B25H 3/02; B25H 3/003; B25H  
3/023; B25H 3/028; B25H 3/06; B25H  
3/021; B25H 1/04; B25H 1/12  
See application file for complete search history.

|              |      |         |         |       |            |
|--------------|------|---------|---------|-------|------------|
| 5,390,944    | A *  | 2/1995  | Sherwin | ..... | B62B 3/00  |
|              |      |         |         |       | 211/70.6   |
| 5,924,568    | A *  | 7/1999  | Zajonc  | ..... | B25H 3/026 |
|              |      |         |         |       | 206/372    |
| 6,105,768    | A *  | 8/2000  | Brown   | ..... | B25H 3/04  |
|              |      |         |         |       | 206/373    |
| D472,712     | S *  | 4/2003  | Sagen   | ..... | D3/313     |
| D628,386     | S *  | 12/2010 | Kohn    | ..... | D3/313     |
| D663,207     | S *  | 7/2012  | Nelson  | ..... | D9/456     |
| D687,225     | S *  | 8/2013  | Baker   | ..... | D3/313     |
| 2008/0179215 | A1 * | 7/2008  | Arvin   | ..... | A45D 33/00 |
|              |      |         |         |       | 206/581    |

\* cited by examiner

*Primary Examiner* — Charles D Hanson

(74) *Attorney, Agent, or Firm* — Schwegman Lundberg & Woessner, P.A.

(57) **CLAIM**

The ornamental design for a paint sprayer storage device, as shown and described.

**DESCRIPTION**

FIG. 1 is a front view of the paint sprayer storage device, showing the new design.

FIG. 2 is a back view of the paint sprayer storage device of FIG. 1.

FIG. 3 is a first side view of the paint sprayer storage device of FIG. 1.

FIG. 4 is a top view of the paint sprayer storage device of FIG. 1.

FIG. 5 is a bottom view of the paint sprayer storage device of FIG. 1; and,

FIG. 6 is a perspective of the paint sprayer storage device of FIG. 1.

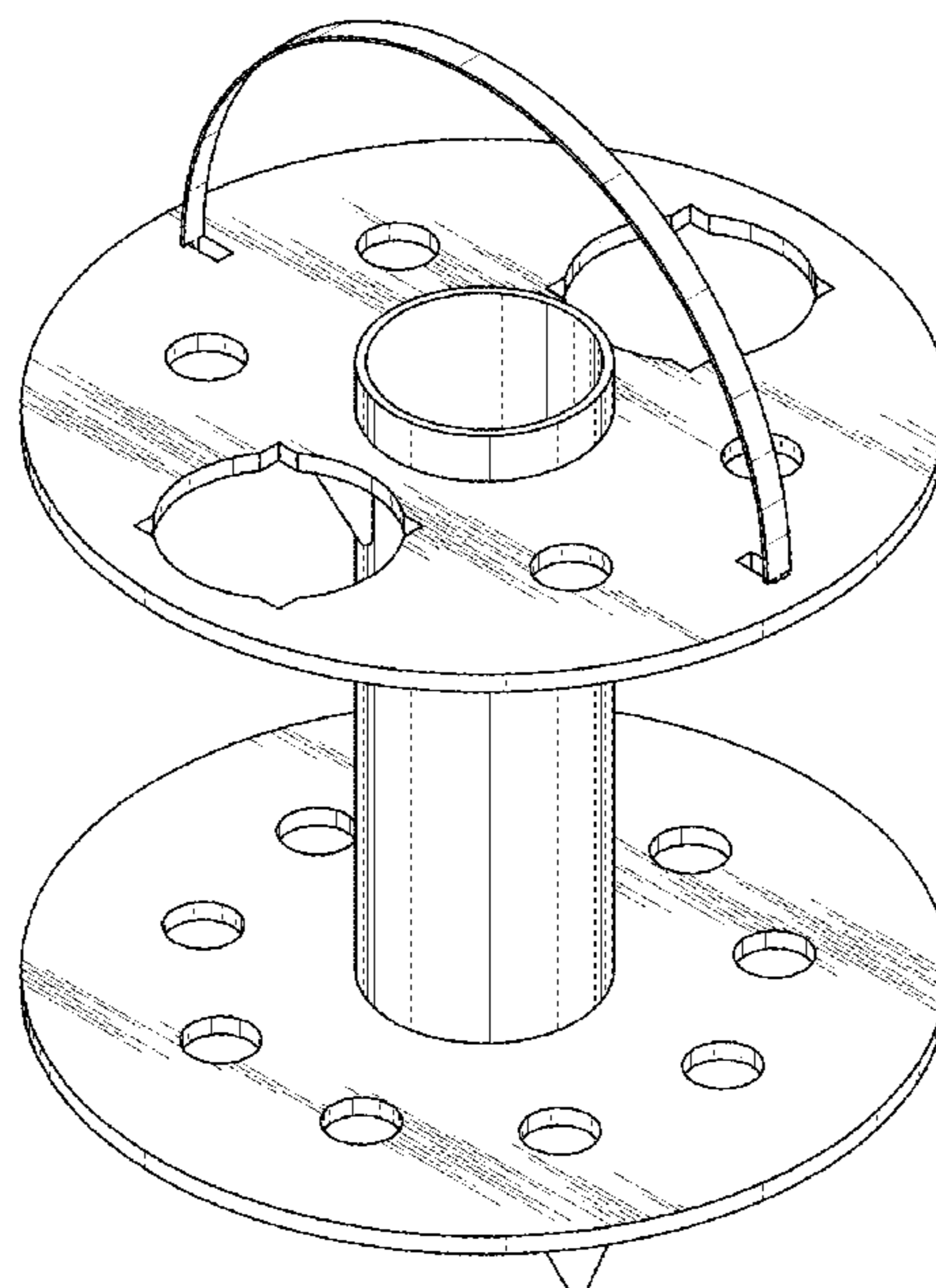
The broken line showing of included for the purpose of illustrating unclaimed subject matter and forms no part of the claimed design.

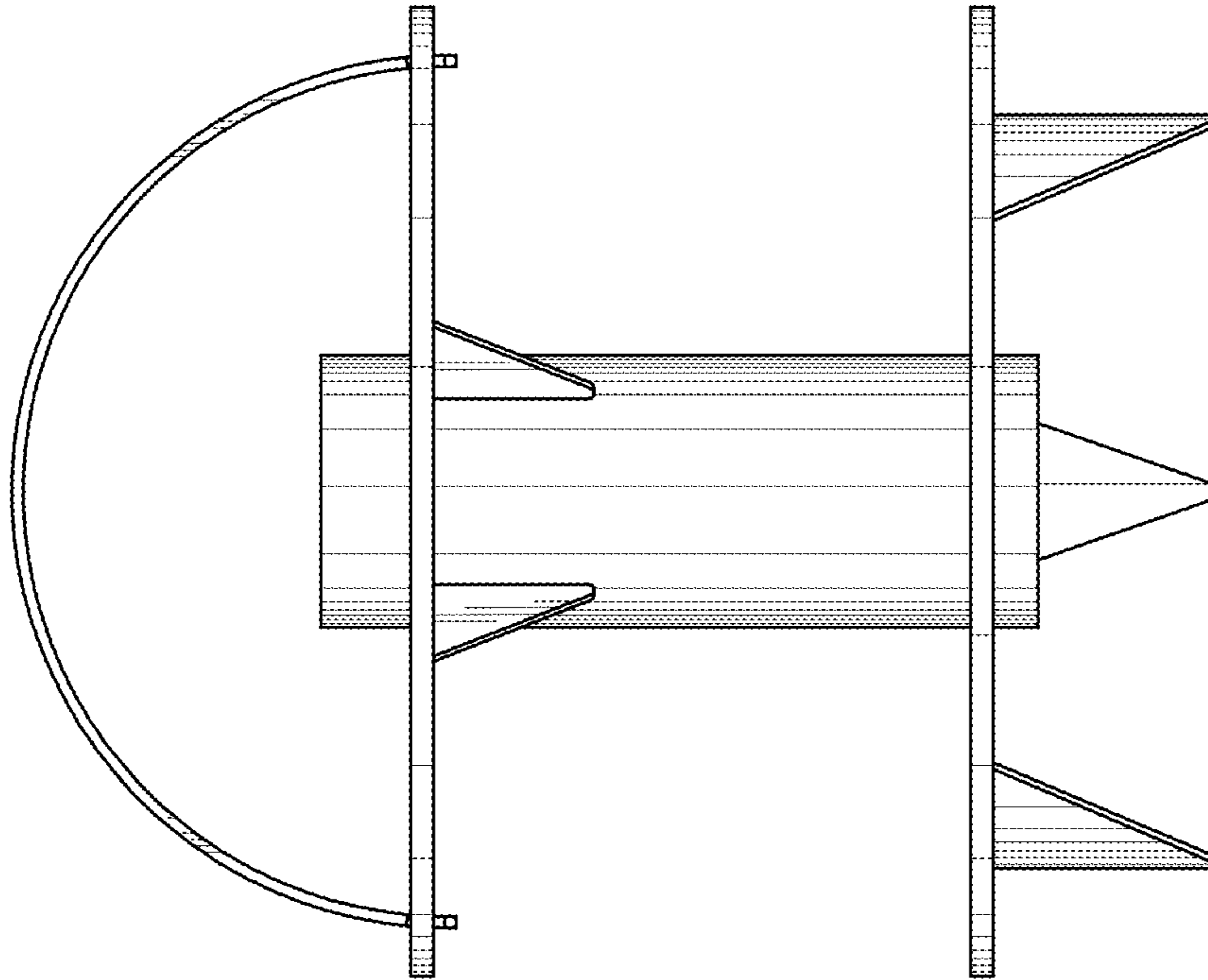
(56) **References Cited**

U.S. PATENT DOCUMENTS

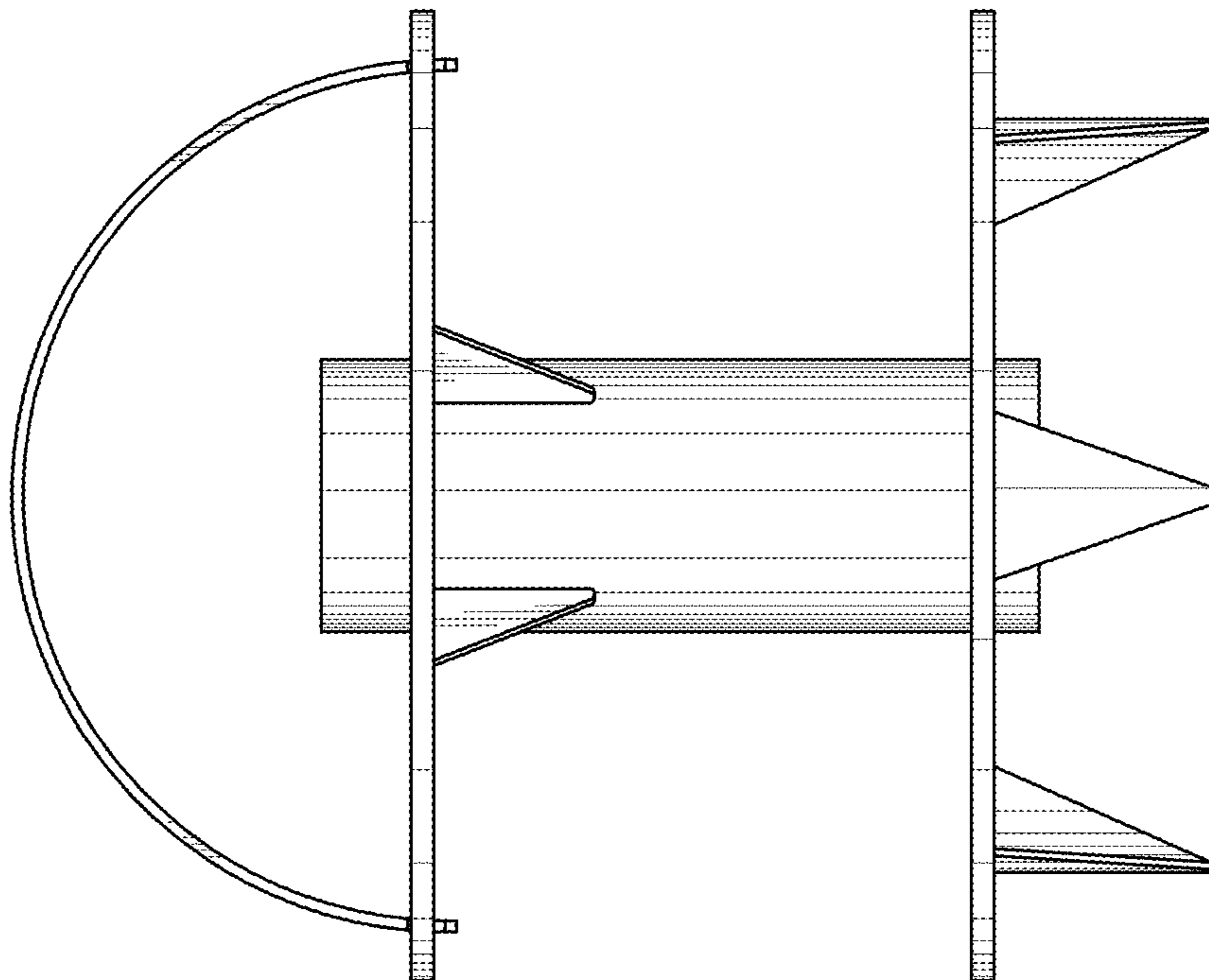
|           |     |        |         |       |            |
|-----------|-----|--------|---------|-------|------------|
| 3,298,532 | A * | 1/1967 | Wilcke  | ..... | A01G 20/30 |
|           |     |        |         |       | 211/70.6   |
| 4,947,998 | A * | 8/1990 | Smeller | ..... | A47G 25/12 |
|           |     |        |         |       | 206/373    |
| 5,092,463 | A * | 3/1992 | Dees    | ..... | B25H 3/00  |
|           |     |        |         |       | 206/373    |
| 5,350,065 | A * | 9/1994 | Darrey  | ..... | B25H 3/00  |
|           |     |        |         |       | 206/373    |
| 5,379,885 | A * | 1/1995 | Chen    | ..... | B25H 3/04  |
|           |     |        |         |       | 206/216    |

**1 Claim, 4 Drawing Sheets**

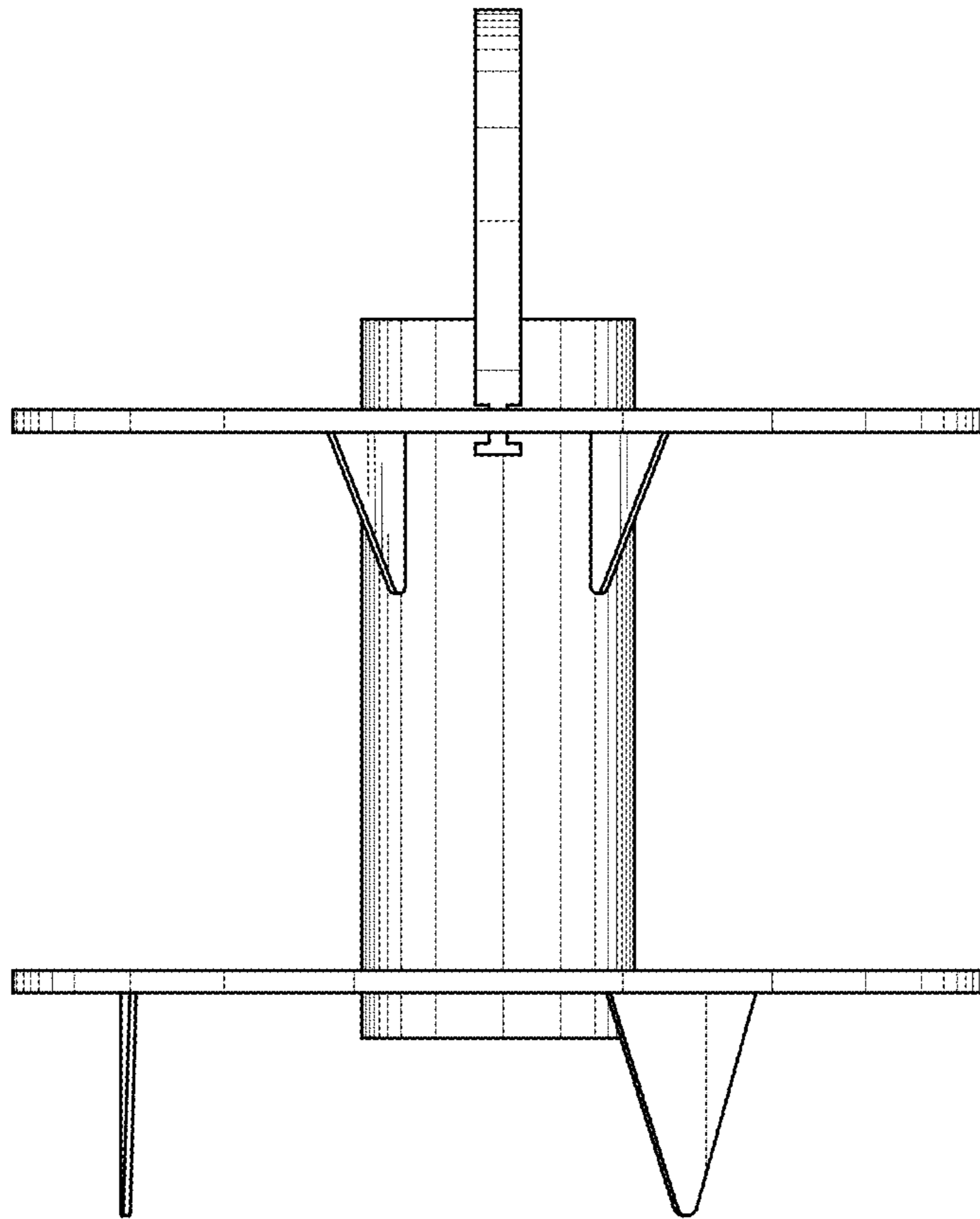




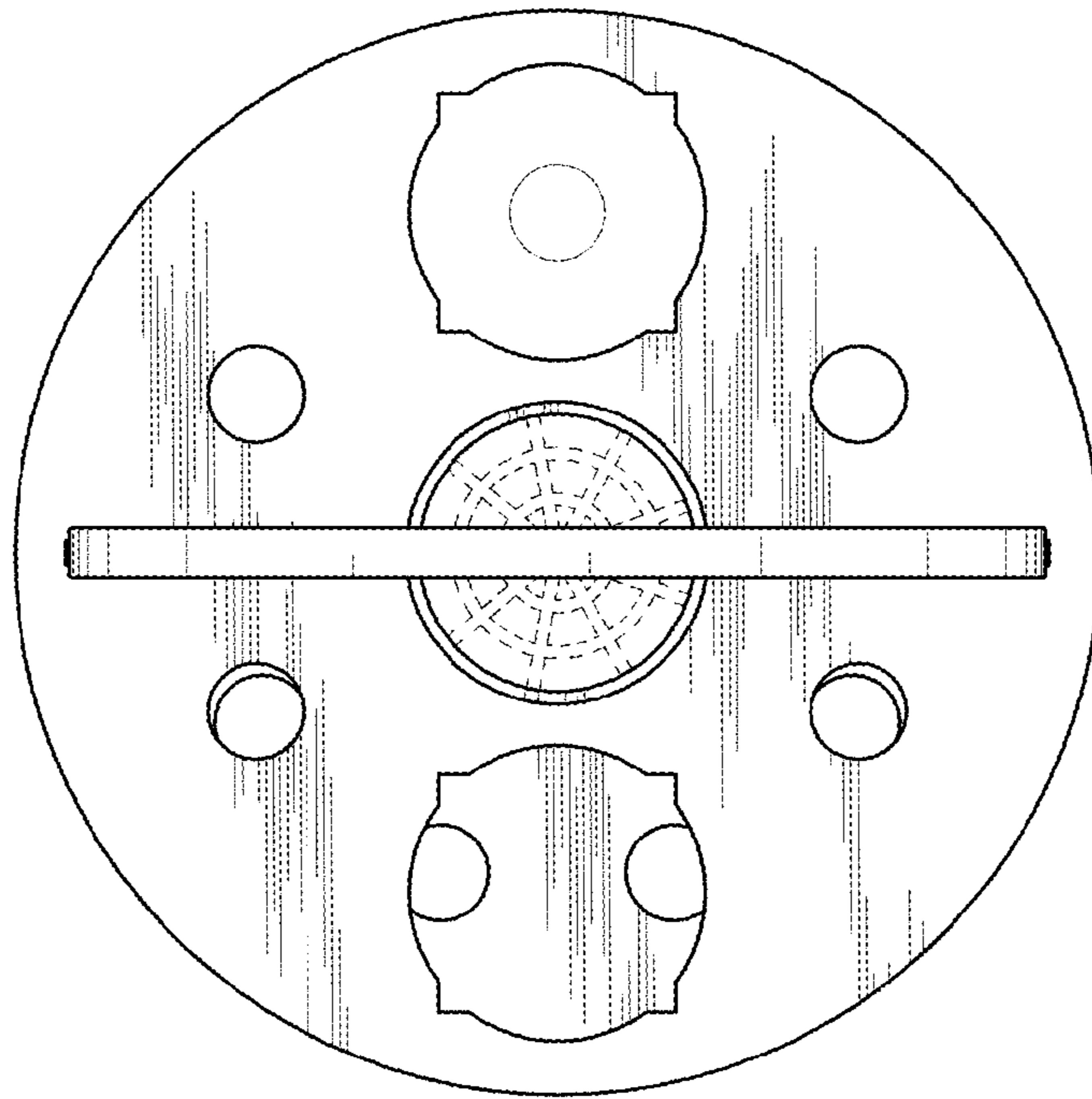
*Fig. 2*



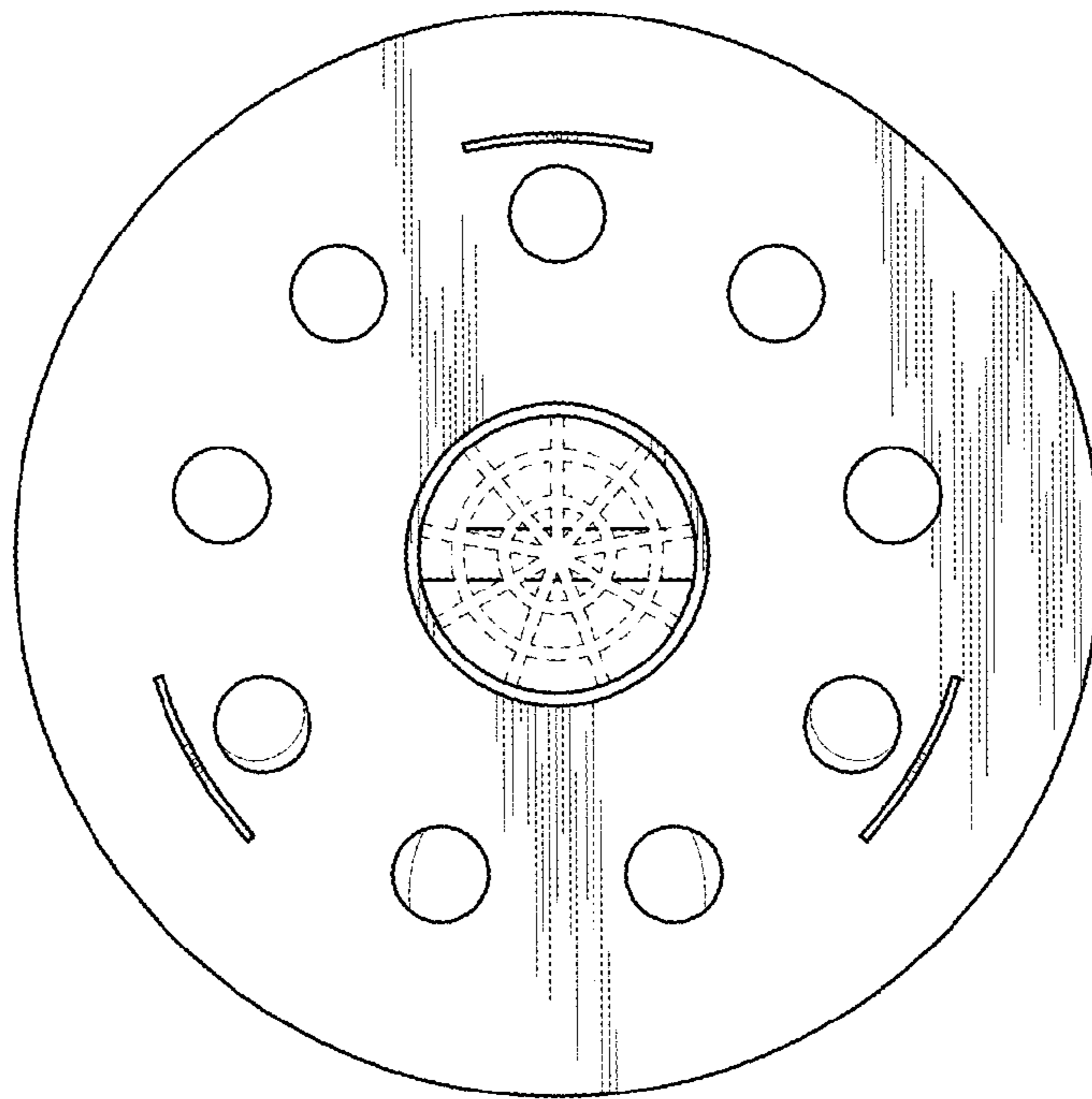
*Fig. 1*



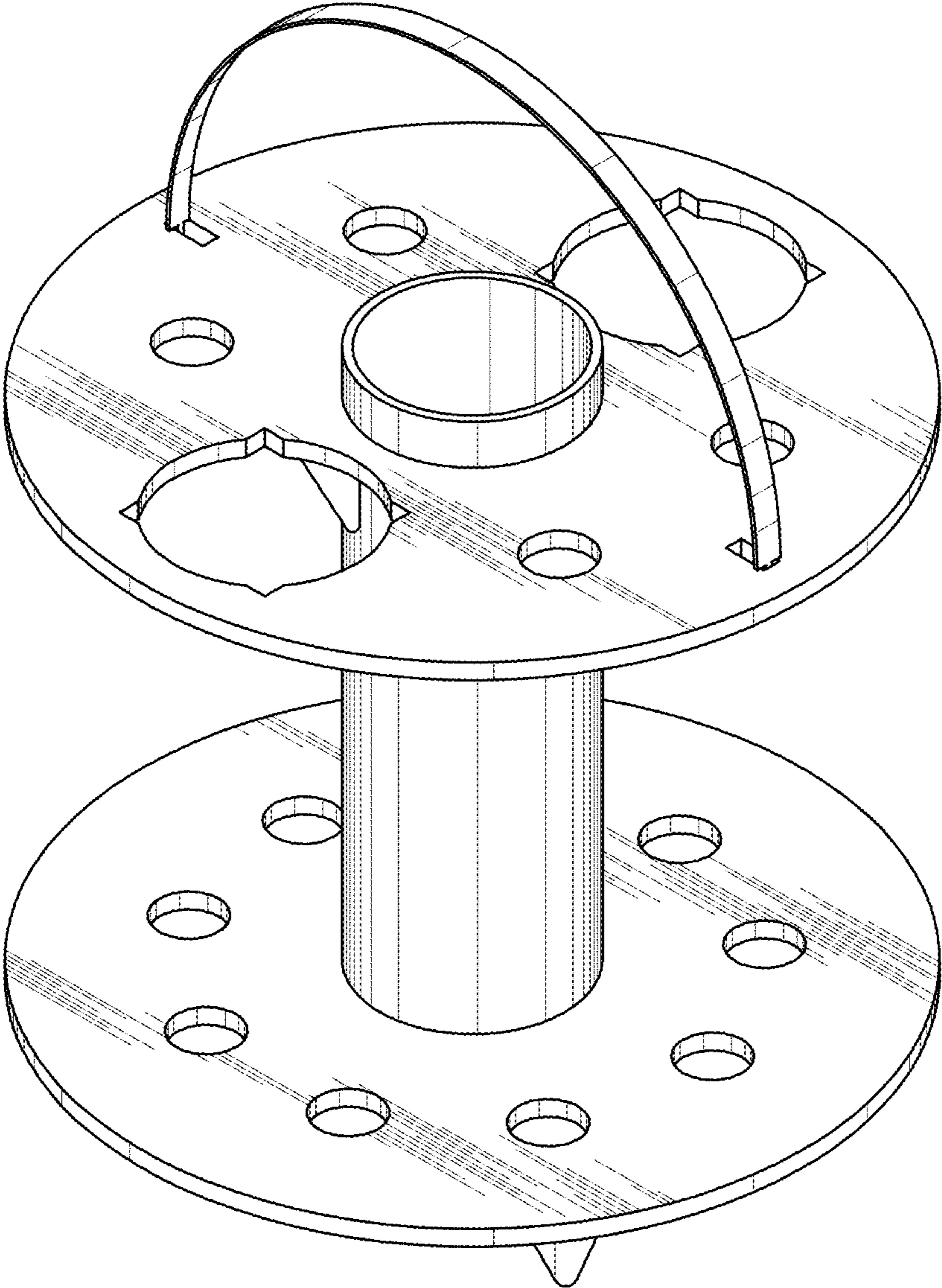
*Fig. 3*



*Fig. 4*



*Fig. 5*



*Fig. 6*