



US00D874826S

(12) **United States Design Patent**
Zhang

(10) **Patent No.:** **US D874,826 S**

(45) **Date of Patent:** **** Feb. 11, 2020**

(54) **TREAT POUCH FOR PET**

FOREIGN PATENT DOCUMENTS

(71) Applicant: **Jun Zhang**, Shenzhen (CN)

EM 000747256-0001 6/2007

(72) Inventor: **Jun Zhang**, Shenzhen (CN)

OTHER PUBLICATIONS

(**) Term: **15 Years**

AUDWUD—Silicone Dog Treat Pouch—Clip on Portable Training Container—Convenient Magnetic Buckle Closing and Waist Clip 100% FDA Certied Food Grade Silicone & BPA Free. Amazon.com (Year: 2019).*

(21) Appl. No.: **29/708,829**

(22) Filed: **Oct. 9, 2019**

(51) **LOC (12) Cl.** **03-01**

* cited by examiner

(52) **U.S. Cl.**

USPC **D3/303**; D3/226

Primary Examiner — Catherine R Oliver-Garcia

(58) **Field of Classification Search**

USPC D3/201, 215, 226, 232, 303; 294/1.3;
119/795, 797; 383/12; 221/45;
224/148.4, 240–241, 666, 668, 679;
D30/161–162

CPC ... A45C 11/321; A45C 2009/007; A45C 9/00;
A01K 27/004; A45F 3/02; A45F 5/02;
A45F 5/021; A45F 4/02; A45F
2200/0516; A45F 2005/006; A45F
2200/0558; E01H 1/1206

See application file for complete search history.

(57) **CLAIM**

The ornamental design for a treat pouch for pet, as shown and described.

DESCRIPTION

FIG. 1 is a perspective view of a treat pouch for pet showing my new design;

FIG. 2 is another perspective view thereof;

FIG. 3 is a front elevational view thereof;

FIG. 4 is a rear elevational view thereof;

FIG. 5 is a left side elevational view thereof;

FIG. 6 is a right side elevational view thereof;

FIG. 7 is a top plan view thereof; and,

FIG. 8 is a bottom plan view thereof.

The broken lines in the drawings depict portions of the treat pouch for pet that form no part of the claimed design.

(56) **References Cited**

U.S. PATENT DOCUMENTS

D436,435 S *	1/2001	Weinstock	D3/215
D485,677 S	1/2004	Harris et al.		
D664,352 S *	7/2012	Shamoon	D3/226
2006/0118587 A1 *	6/2006	Rees	A45F 5/02 224/666
2010/0269763 A1 *	10/2010	Kraft	A01K 27/006 119/795
2016/0000198 A1 *	1/2016	Labadini	A45F 5/00 119/797
2016/0052712 A1 *	2/2016	Jackson-Tyree	E01H 1/1206 294/1.3

1 Claim, 8 Drawing Sheets





FIG. 1

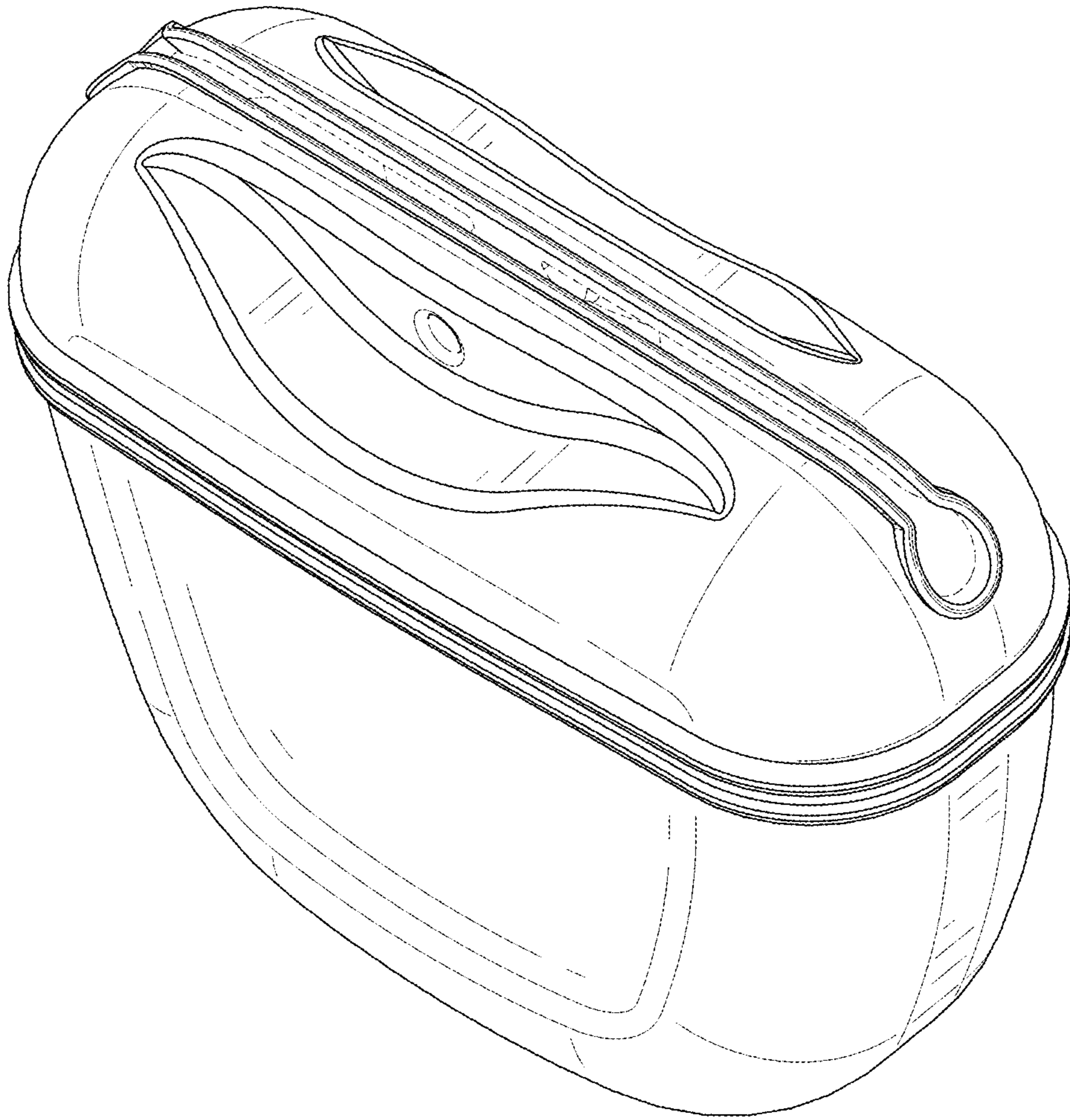


FIG. 2

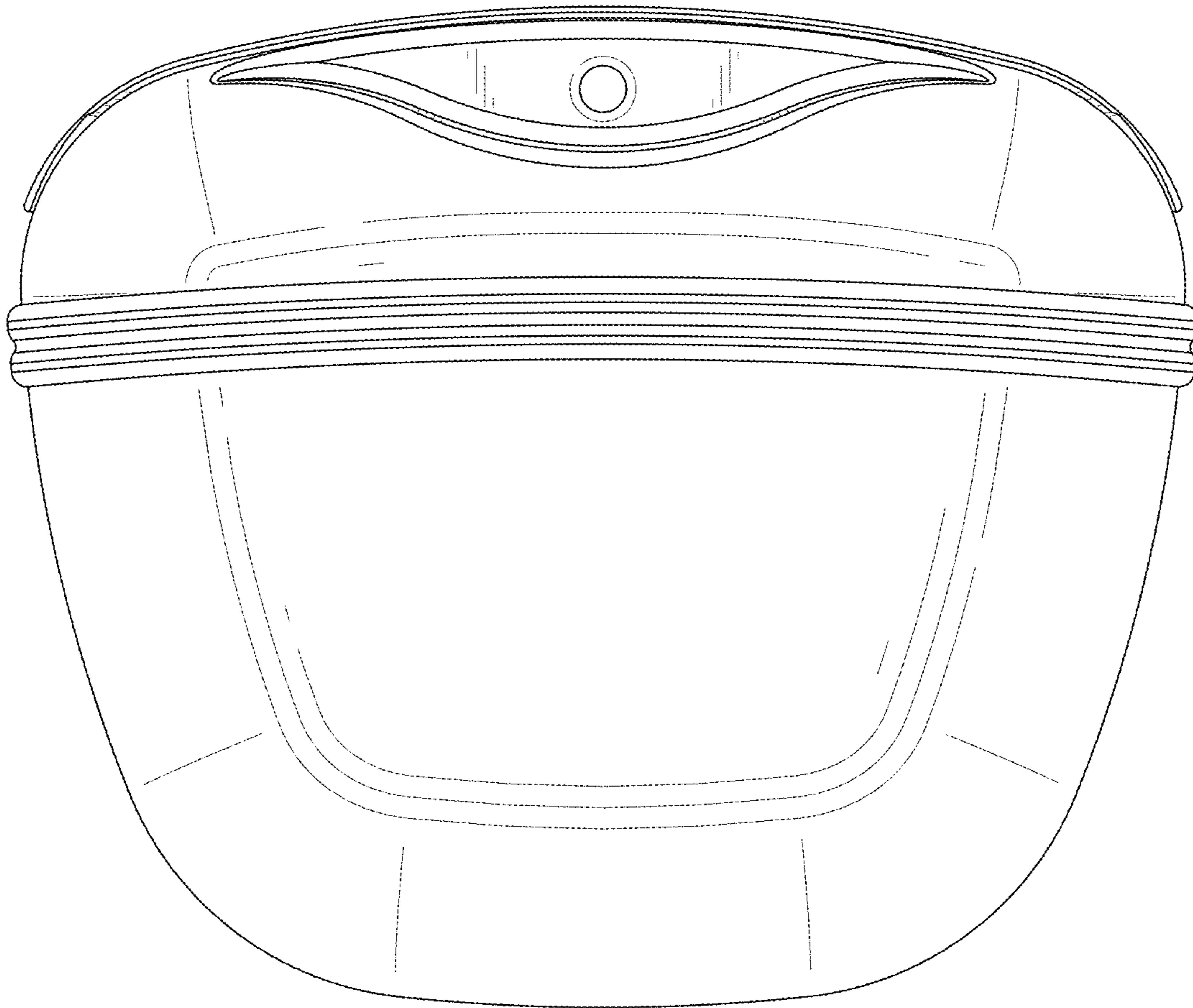


FIG. 3

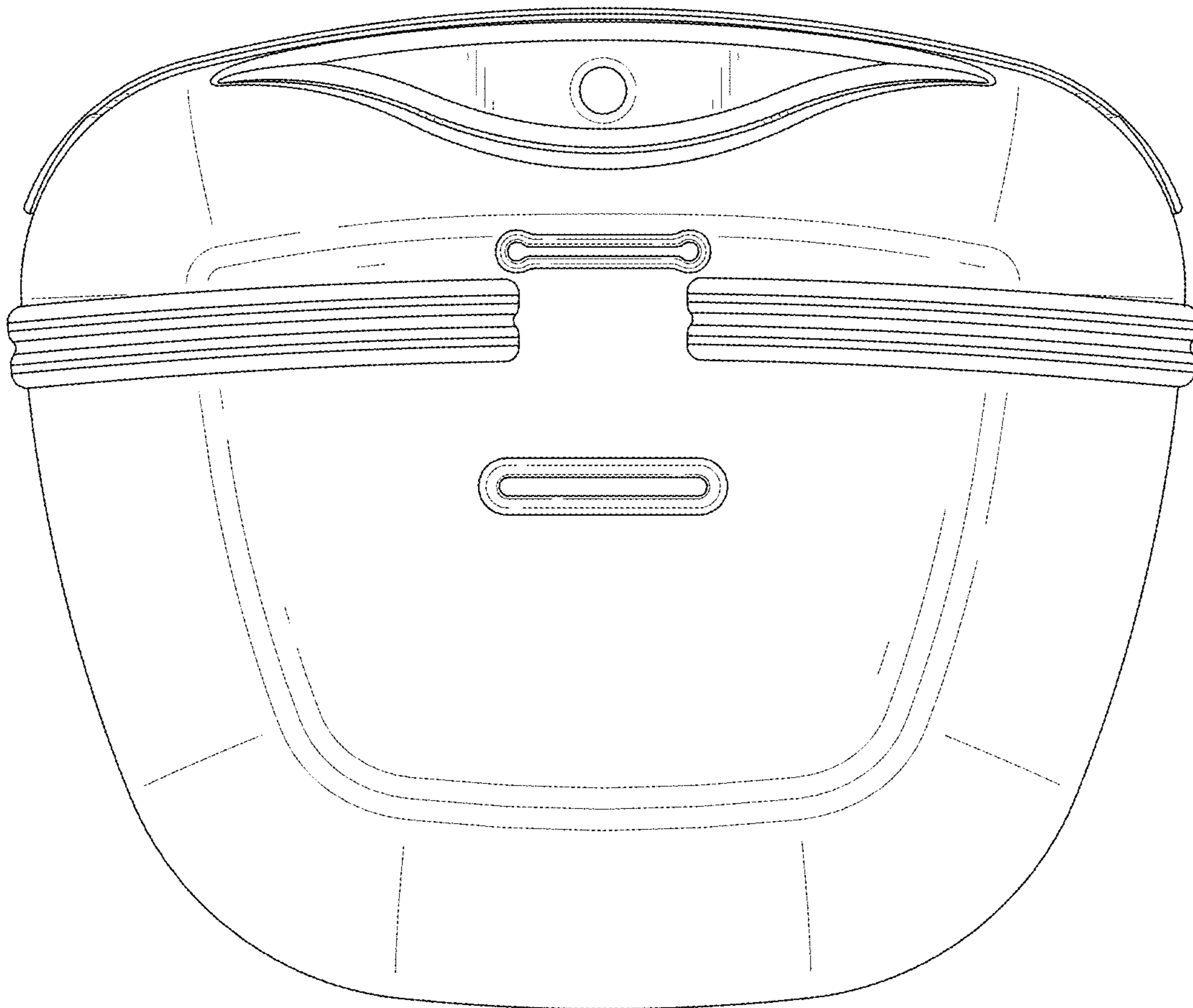


FIG. 4

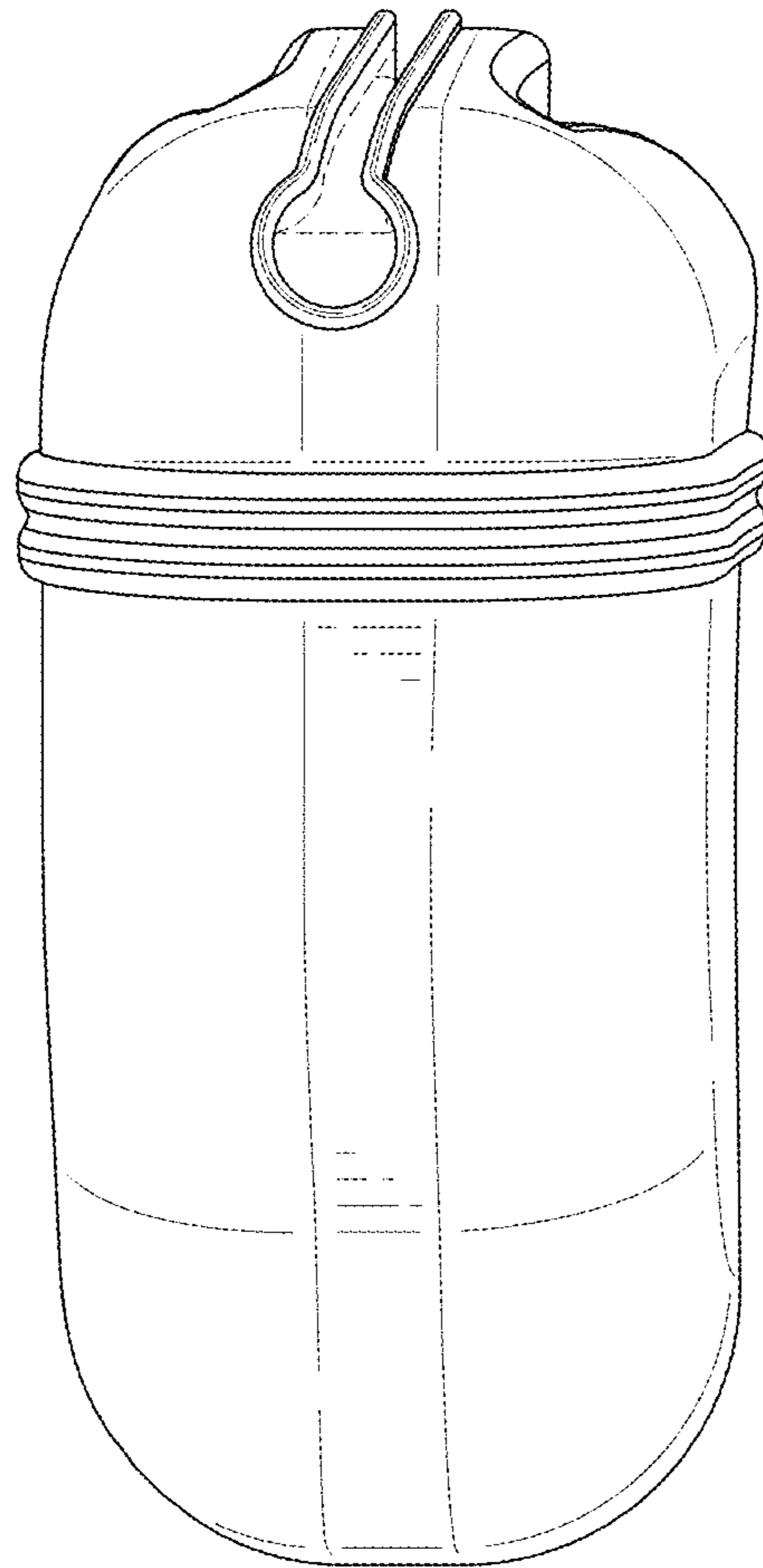


FIG. 5

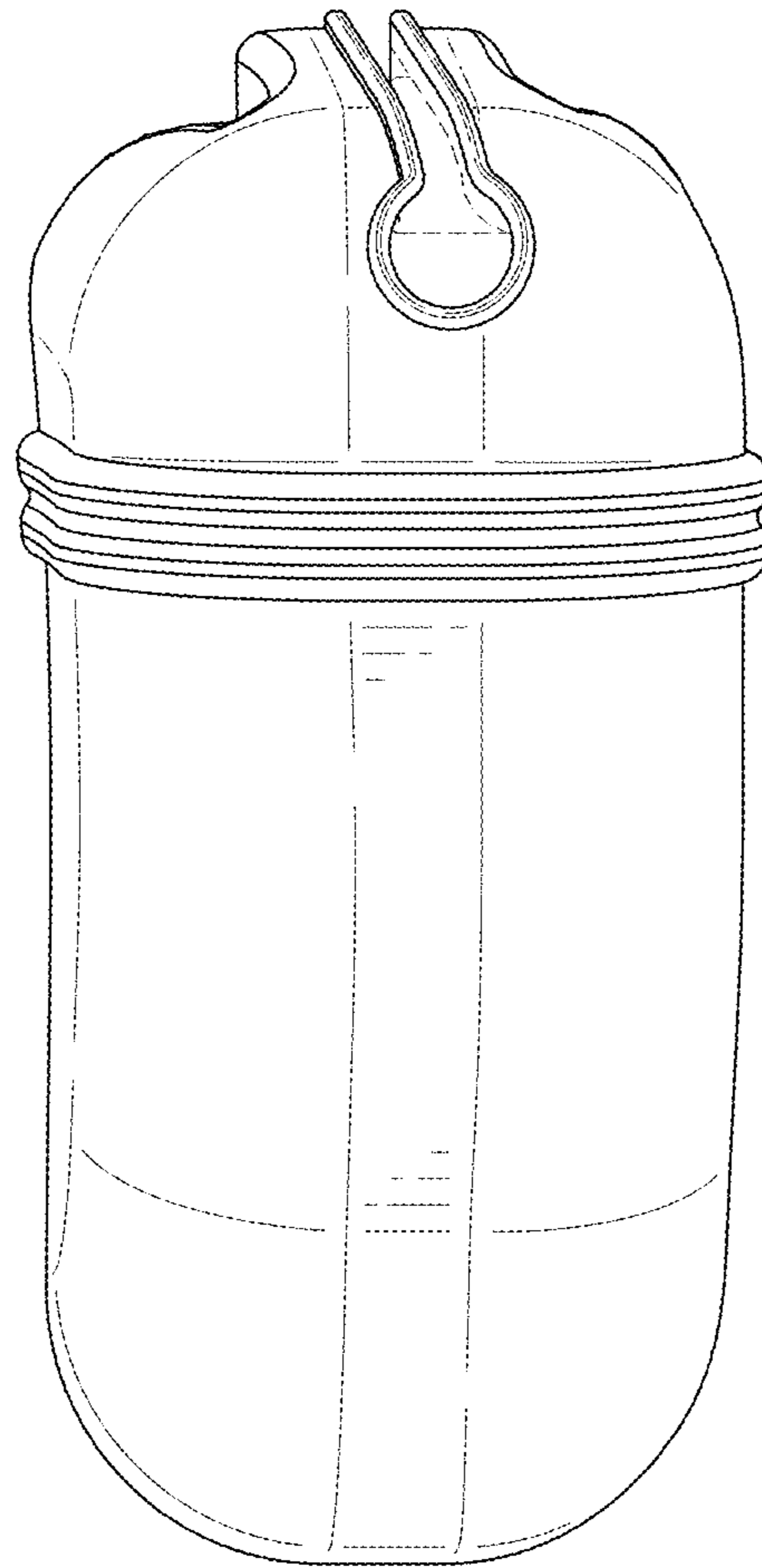


FIG. 6

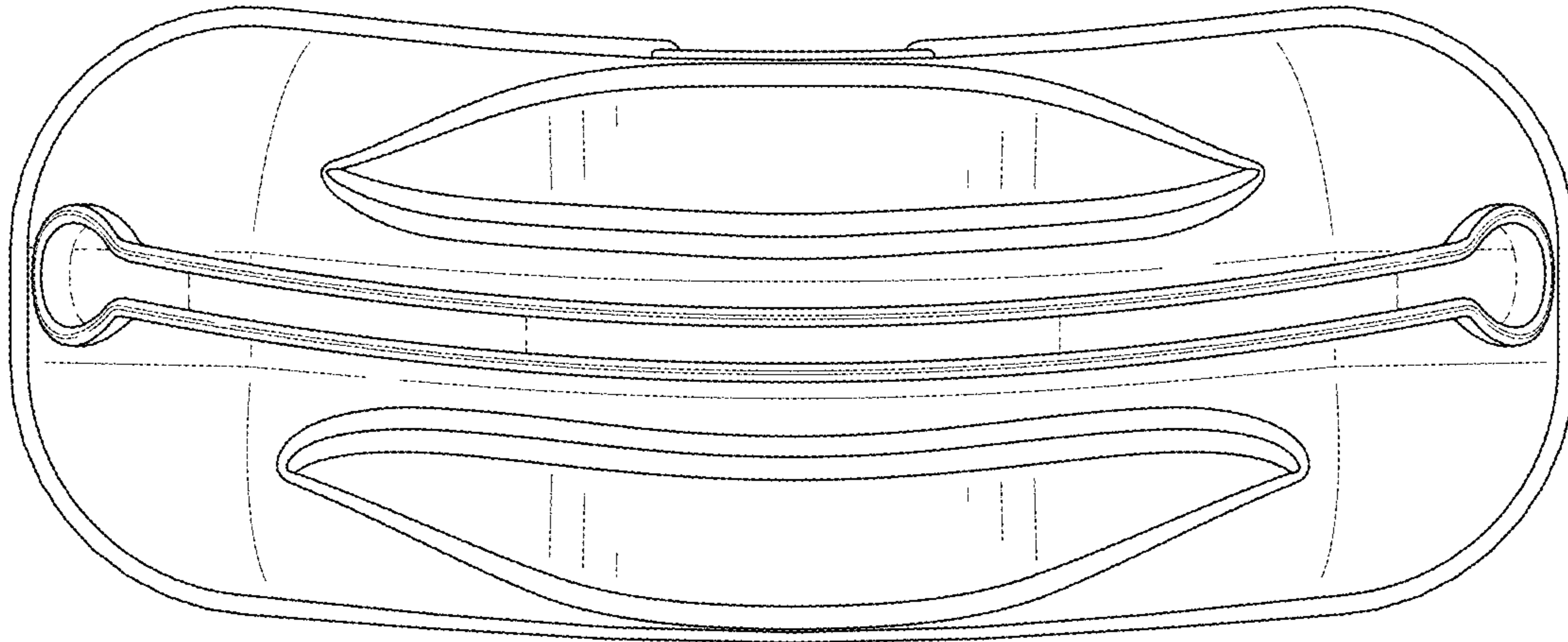


FIG. 7

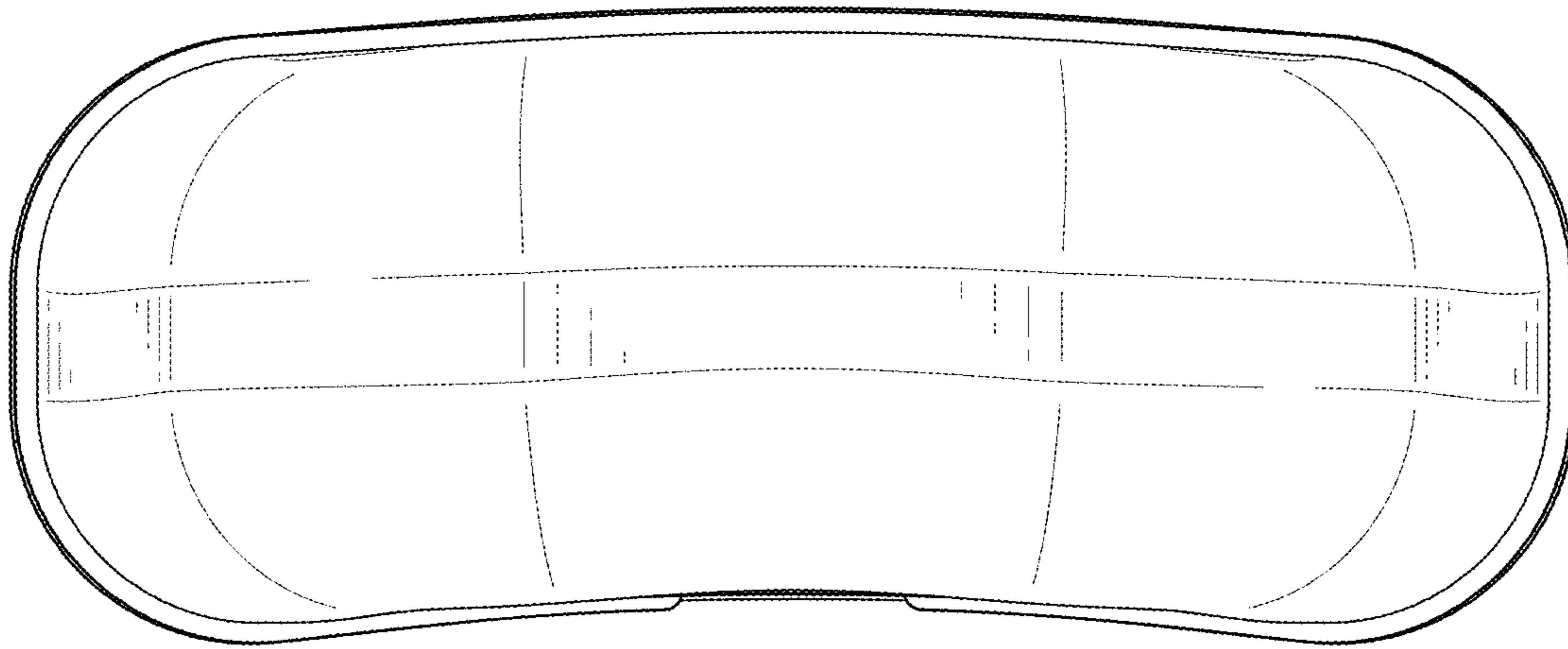


FIG. 8