



US00D874825S

(12) **United States Design Patent**  
**Liang**

(10) **Patent No.:** **US D874,825 S**

(45) **Date of Patent:** **\*\* Feb. 11, 2020**

(54) **TELEVISION COVER**

(71) Applicant: **Enquan Liang**, Guangdong (CN)

(72) Inventor: **Enquan Liang**, Guangdong (CN)

(\*\*) Term: **15 Years**

(21) Appl. No.: **29/604,842**

(22) Filed: **May 22, 2017**

(51) **LOC (12) Cl.** ..... **03-01**

(52) **U.S. Cl.**  
USPC ..... **D3/301**

(58) **Field of Classification Search**  
USPC ..... D3/269, 299-302, 321, 902; D6/610;  
D14/250, 440, 448, 439; 206/320, 473;  
348/E5.128, 836; 150/154, 158, 165,  
150/901, 900; 383/11, 27, 31, 38-40;  
190/109, 111  
CPC ..... H04N 5/64; A45C 11/00; A45C 13/103;  
A45C 2011/003; A45C 2013/025; A45C  
5/06

See application file for complete search history.

(56) **References Cited**

**U.S. PATENT DOCUMENTS**

- 6,631,529 B1 \* 10/2003 Erickson ..... A47G 9/0246  
5/484
- D481,887 S \* 11/2003 Ellwanger ..... D6/610
- D577,532 S \* 9/2008 Deeble ..... D6/610
- D664,129 S \* 7/2012 Mora ..... D14/239
- 8,910,680 B1 \* 12/2014 Jacobs ..... G06F 1/1601  
150/165
- 8,937,688 B1 \* 1/2015 Tuccillo ..... H04N 5/64  
348/836
- D744,042 S \* 11/2015 Kreindel ..... D20/99

- D806,086 S \* 12/2017 Garside ..... D14/448
- D812,046 S \* 3/2018 Miller ..... D14/239
- D856,035 S \* 8/2019 Fu ..... D6/610
- 2016/0166026 A1 \* 6/2016 Webster ..... A45C 5/03  
206/320

**FOREIGN PATENT DOCUMENTS**

CN 304788507 \* 8/2018

**OTHER PUBLICATIONS**

Outdoor TV Cover, available Nov. 17, 2015, [online], [site visited Sep. 24, 2019]. Available from internet, URL: [https://www.amazon.com/dp/B018326GRM/ref=sspa\\_dk\\_detail\\_2?psc=1&pd\\_rd\\_i=B018326GRM&pd\\_rd\\_w=BhcbA&pf\\_rd\\_p=45a72588-80f7-4414-9851-](https://www.amazon.com/dp/B018326GRM/ref=sspa_dk_detail_2?psc=1&pd_rd_i=B018326GRM&pd_rd_w=BhcbA&pf_rd_p=45a72588-80f7-4414-9851-) (Year: 2015).\*

\* cited by examiner

*Primary Examiner* — Cathron C Brooks  
*Assistant Examiner* — W. A. Teddy Falloway  
(74) *Attorney, Agent, or Firm* — Justin Lampel

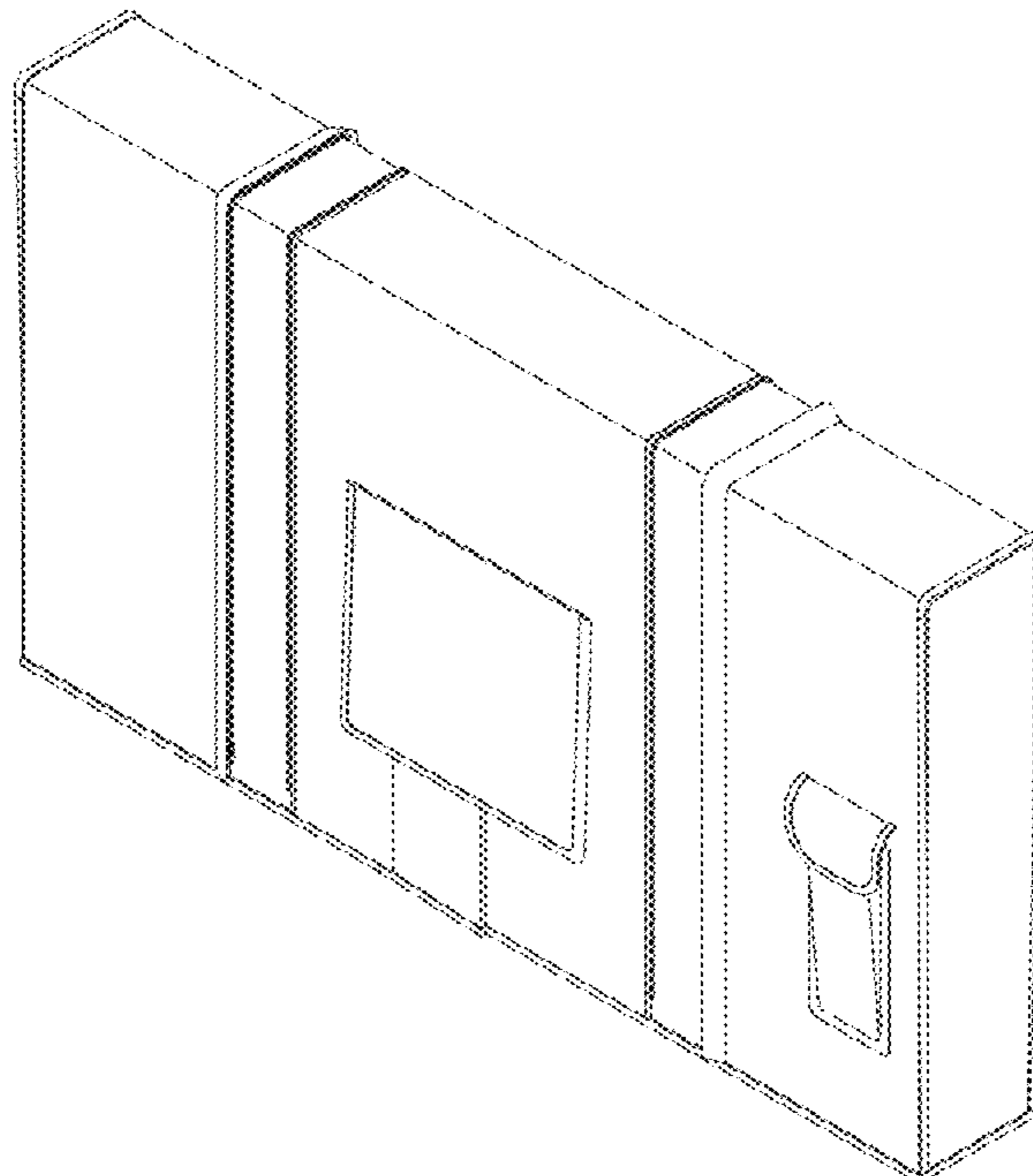
(57) **CLAIM**

The ornamental design for a television cover, as shown and described.

**DESCRIPTION**

FIG. 1 is a perspective view of a television cover showing my new design;  
FIG. 2 is a front elevational view thereof;  
FIG. 3 is a rear elevational view thereof;  
FIG. 4 is a right side view thereof;  
FIG. 5 is a left side view thereof;  
FIG. 6 is a bottom plan view thereof; and,  
FIG. 7 is a top plan view thereof.

**1 Claim, 7 Drawing Sheets**



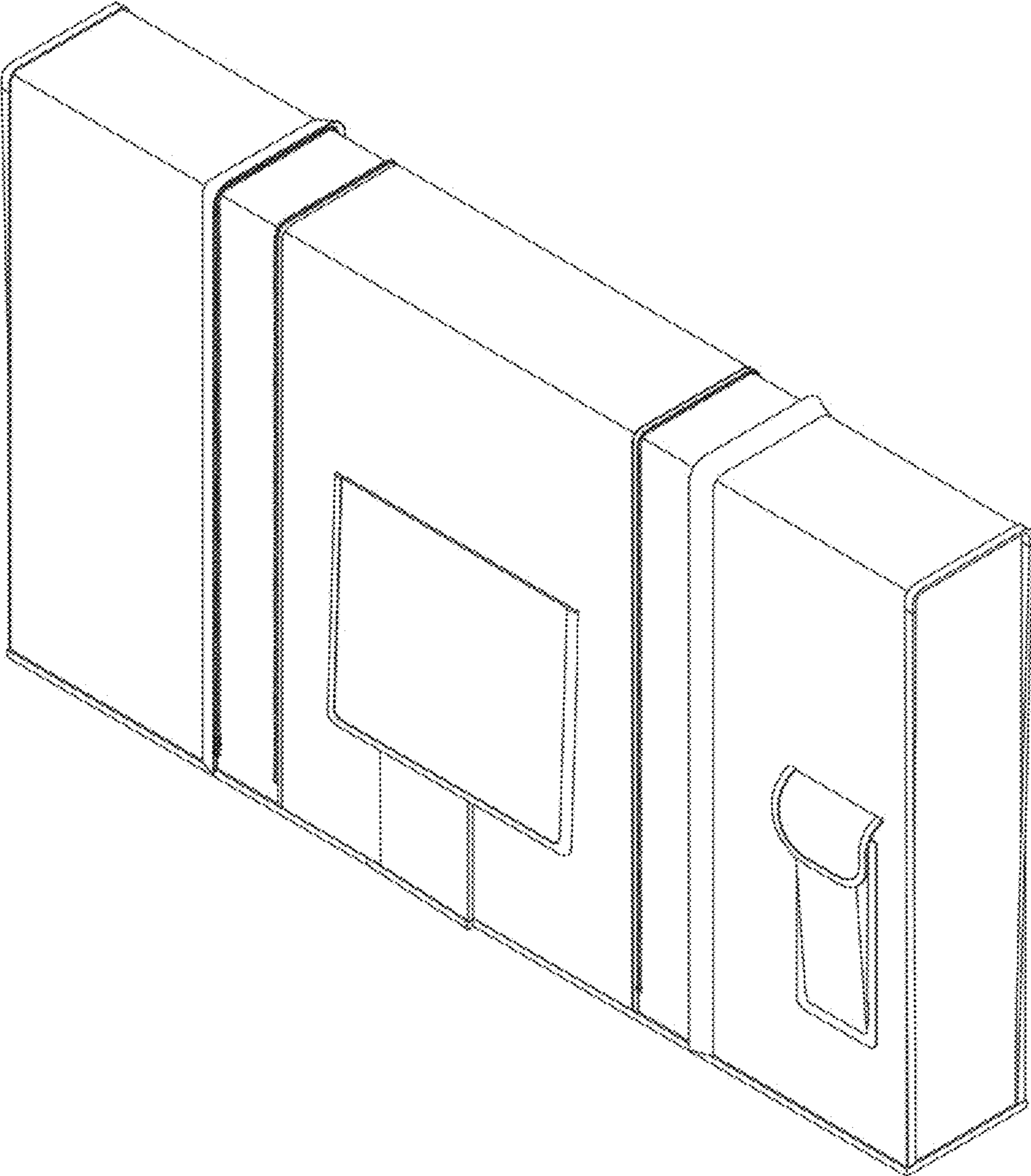


FIG. 1

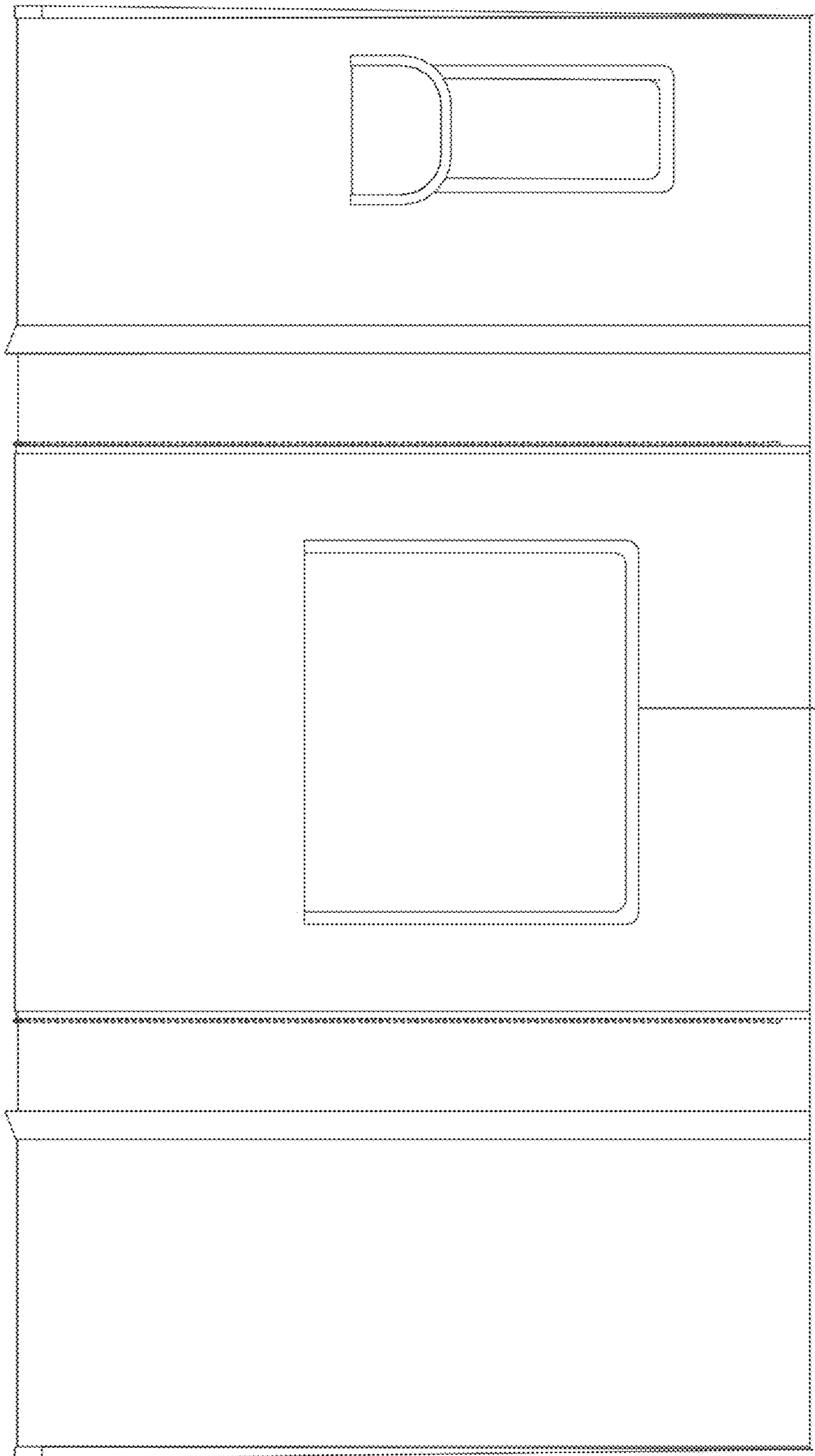


FIG. 2

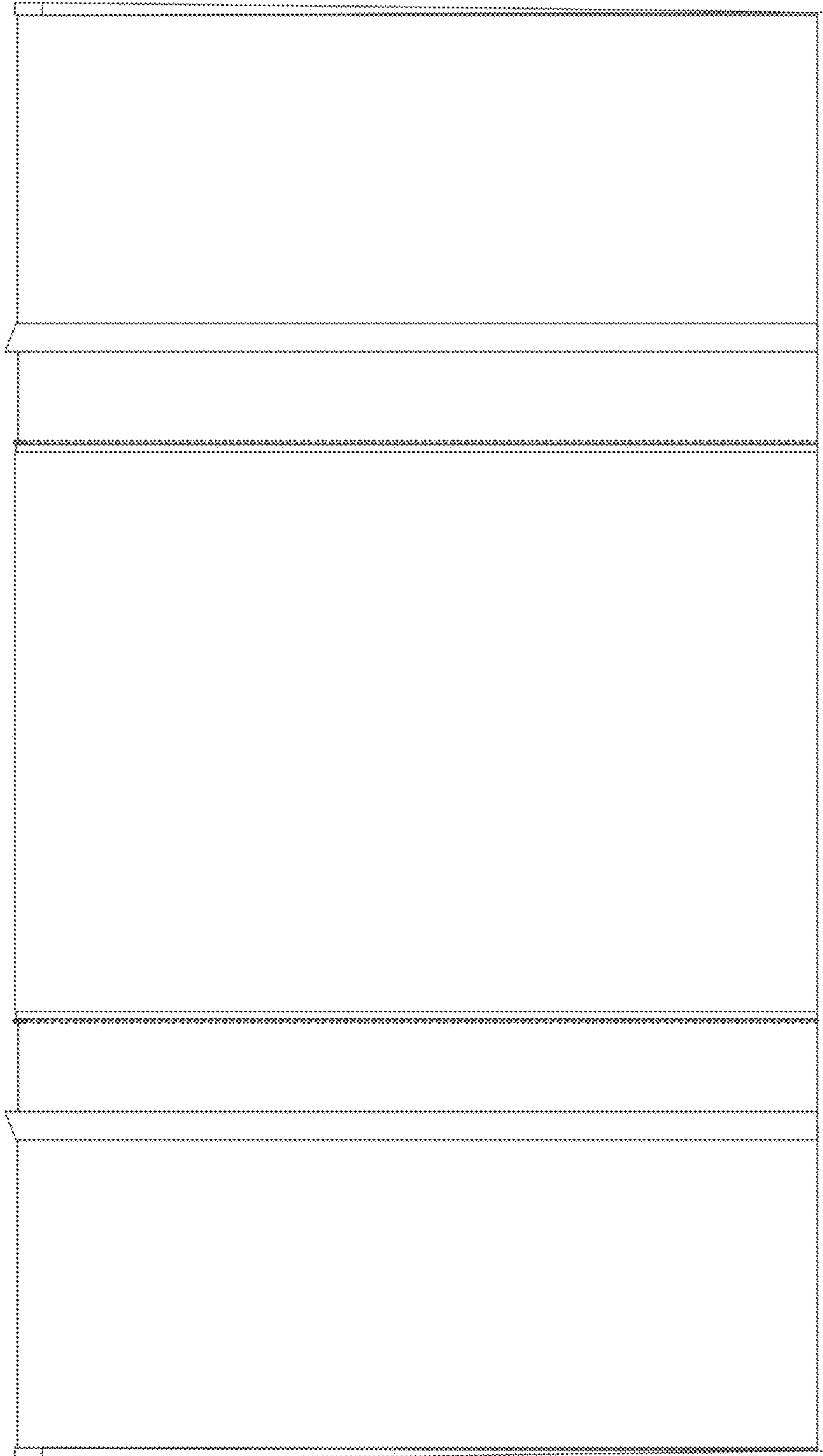


FIG. 3

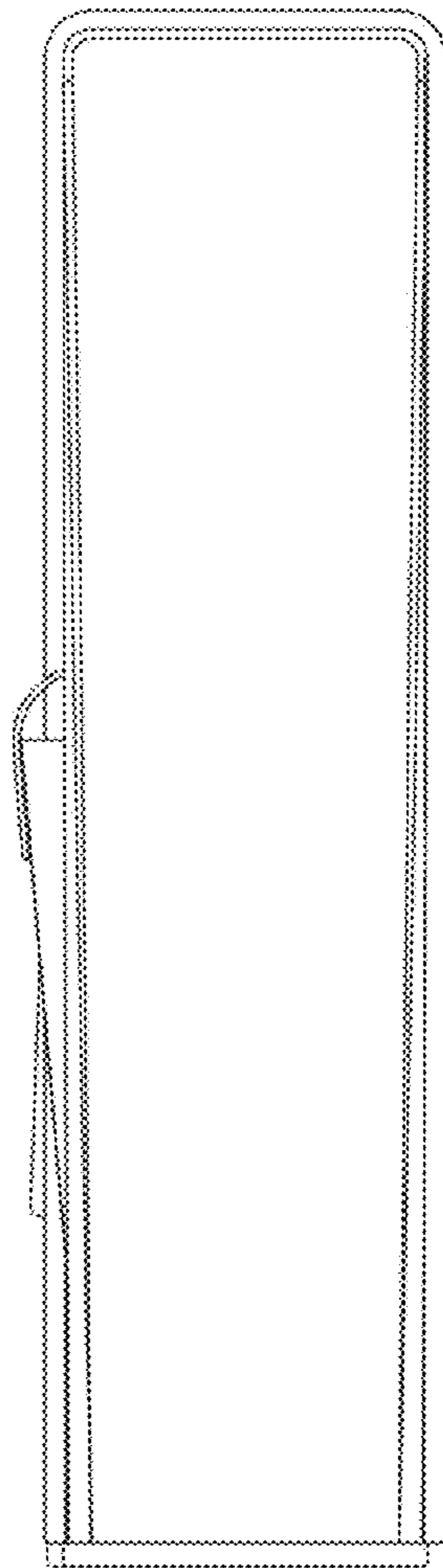


FIG. 4



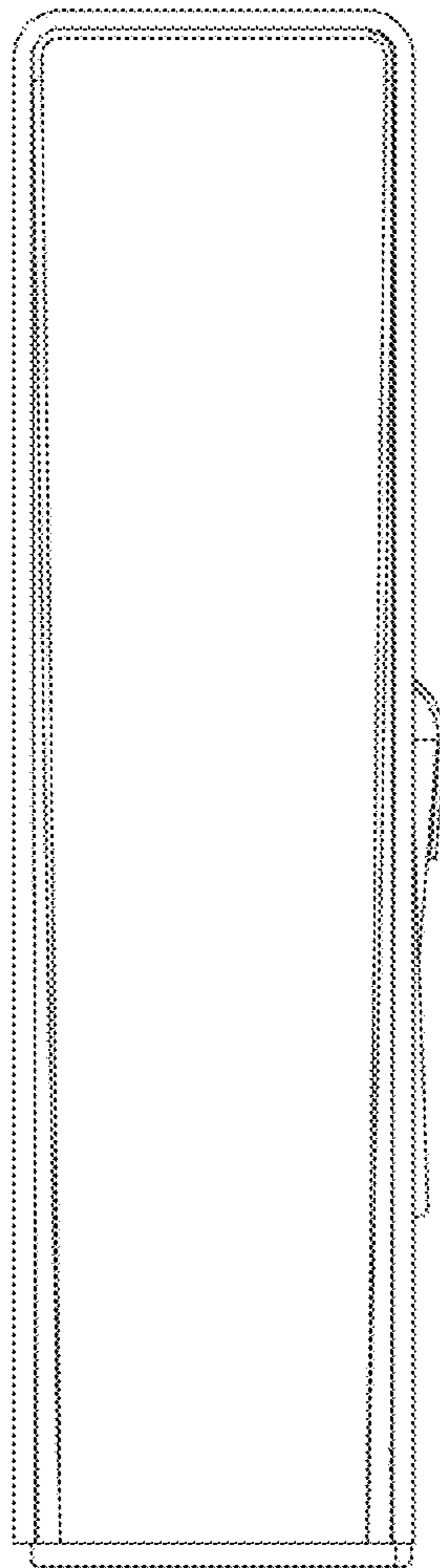


FIG. 5

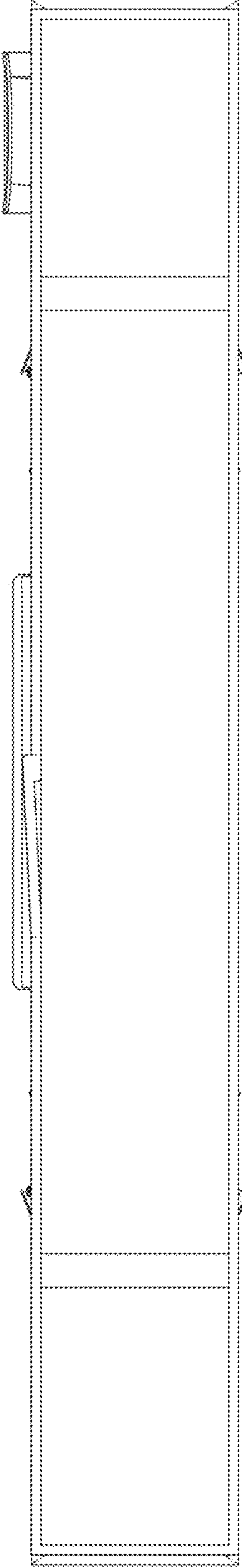


FIG. 6

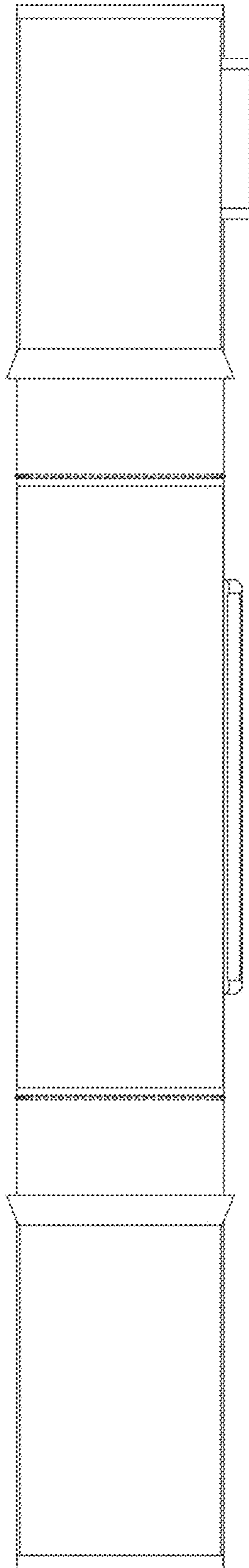


FIG. 7