



US00D874818S

(12) **United States Design Patent**
Schlang

(10) **Patent No.:** **US D874,818 S**

(45) **Date of Patent:** **** Feb. 11, 2020**

(54) **CONCEALABLE FIREARM MAGAZINE
HOLDER**

(71) Applicant: **Richard Jay Schlang**, Battle Ground,
WA (US)

(72) Inventor: **Richard Jay Schlang**, Battle Ground,
WA (US)

(**) Term: **15 Years**

(21) Appl. No.: **29/677,353**

(22) Filed: **Jan. 18, 2019**

(51) **LOC (12) Cl.** **03-01**

(52) **U.S. Cl.**

USPC **D3/226**; D3/222; D3/225; D3/230

(58) **Field of Classification Search**

USPC D3/222-223, 224, 225, 228, 230;
224/191-193, 238-239, 243-245, 587,
224/672, 911, 912, 901.4, 931, 219, 222,
224/267, 269, 914, 483, 666-668, 671,
224/674, 544; 42/90, 106; D27/103,
D27/172, 186-188

CPC .. A45F 5/02; A45F 5/021; A45F 5/022; A45F
2003/003; A45F 2200/0591; A45F
2200/105; F41C 33/02; F41C 33/0209;
F41C 33/0227; F41C 33/0236; F41C
33/041; F41C 33/0263; F41C 33/048;
F42B 39/02; F41A 9/65

See application file for complete search history.

(56) **References Cited**

U.S. PATENT DOCUMENTS

2,566,569 A * 9/1951 Jensen F42B 39/02
224/239
D237,611 S * 11/1975 Minneman D3/225
D240,823 S * 8/1976 Burke D3/224
D286,315 S * 10/1986 Gregory D3/225

5,174,482 A * 12/1992 Rogers F42B 39/02
224/245
D410,331 S * 6/1999 Hamilton D3/221
6,154,997 A * 12/2000 Aluotto F41C 33/02
224/239
6,202,908 B1 * 3/2001 Groover F42B 39/02
224/236
D716,544 S * 11/2014 Fahnholz D3/225
9,927,218 B1 * 3/2018 Schlang F42B 39/02
D853,109 S * 7/2019 Wilson D3/222
2008/0277436 A1 * 11/2008 Wilson F42B 39/02
224/239

* cited by examiner

Primary Examiner — Catherine R Oliver-Garcia

(74) *Attorney, Agent, or Firm* — Underwood &
Associates, LLC

(57) **CLAIM**

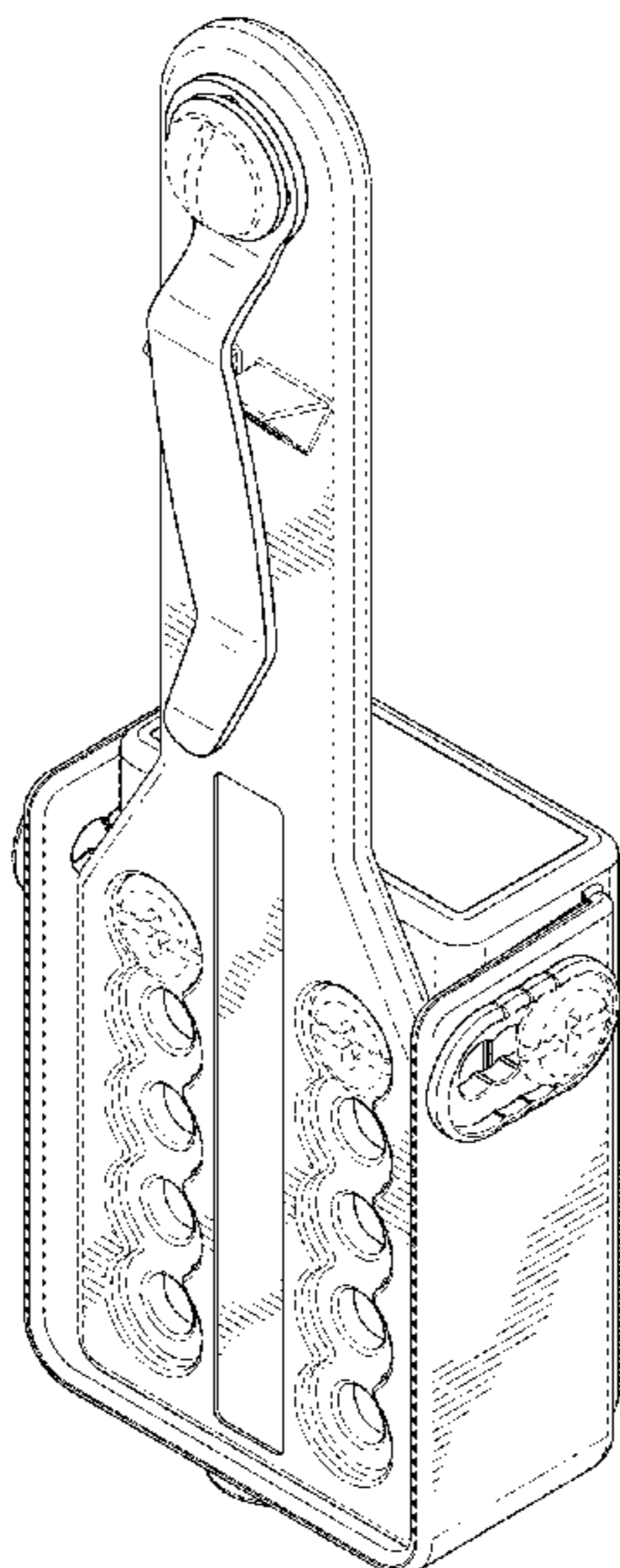
The ornamental design for a concealable firearm magazine
holder, as shown and described.

DESCRIPTION

FIG. 1 is a front perspective view of a concealable firearm
magazine holder showing my new design;
FIG. 2 is a front elevation view thereof;
FIG. 3 is a rear elevation view thereof;
FIG. 4 is a left-side elevation view thereof;
FIG. 5 is a right-side elevation view thereof;
FIG. 6 is a top plan view thereof; and,
FIG. 7 is a bottom plan view thereof.

The following features shown in dashed lines are illustrative
only and form no part of the claimed design:
screw heads in all figures shown on the front, bottom and
side portions of the concealable firearm magazine;
a latch member on the interior portion of the holder visible
in FIG. 6; and
a threaded aperture on the bottom of the container for
receiving a screw, as shown in FIG. 6.

1 Claim, 7 Drawing Sheets



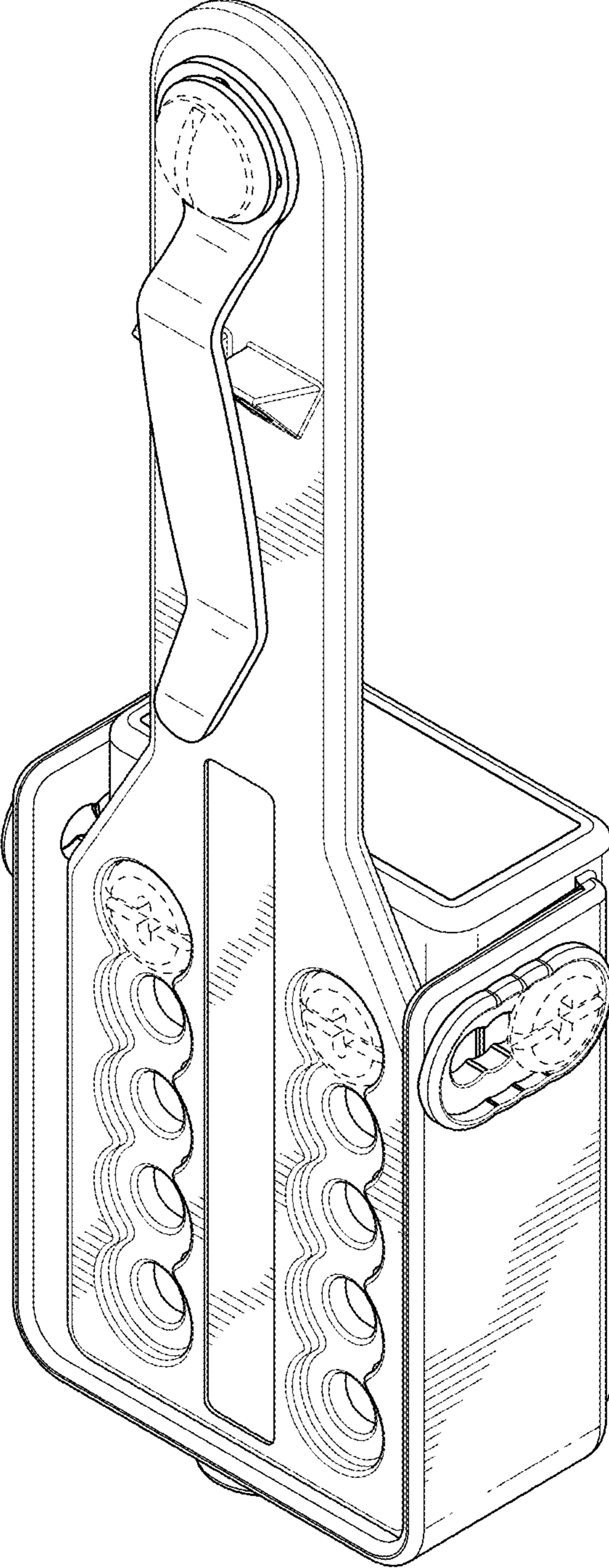


FIG. 1

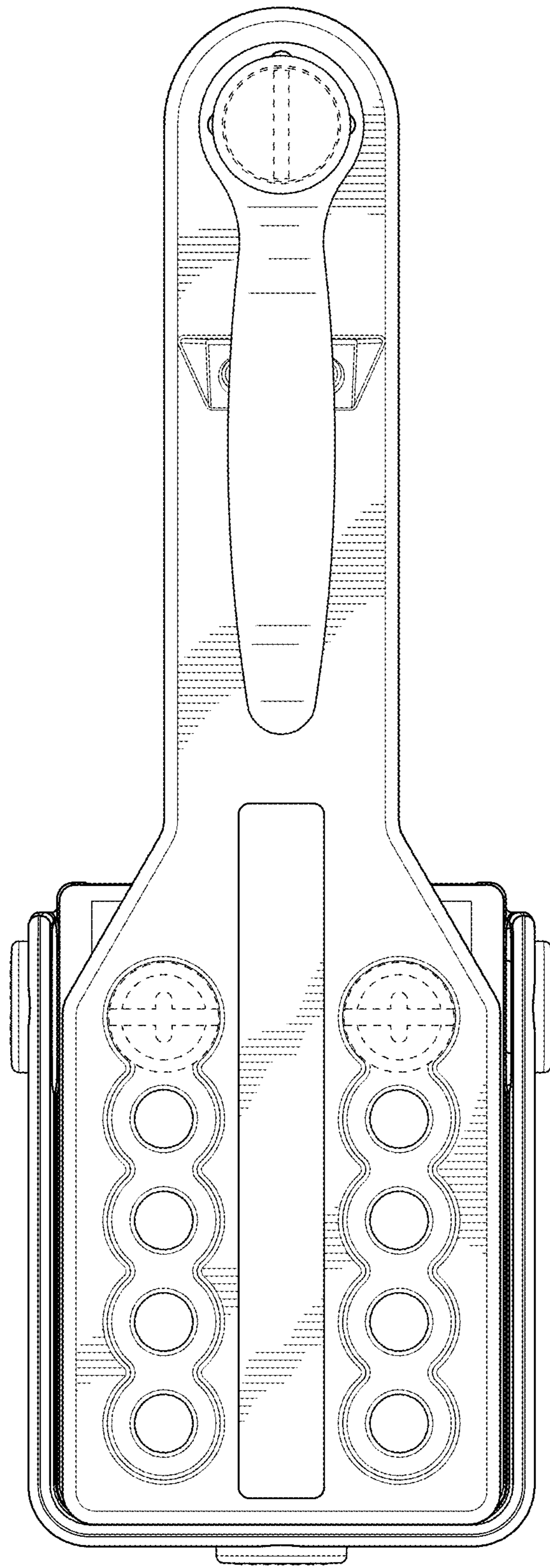


FIG. 2

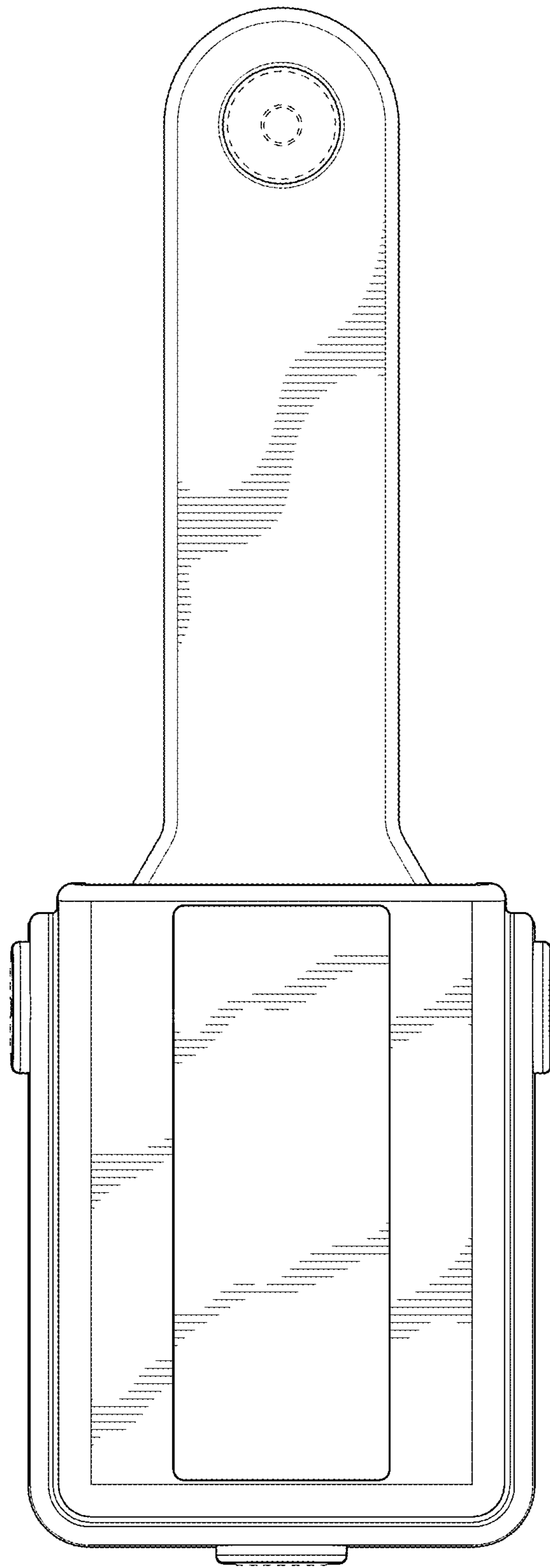


FIG. 3

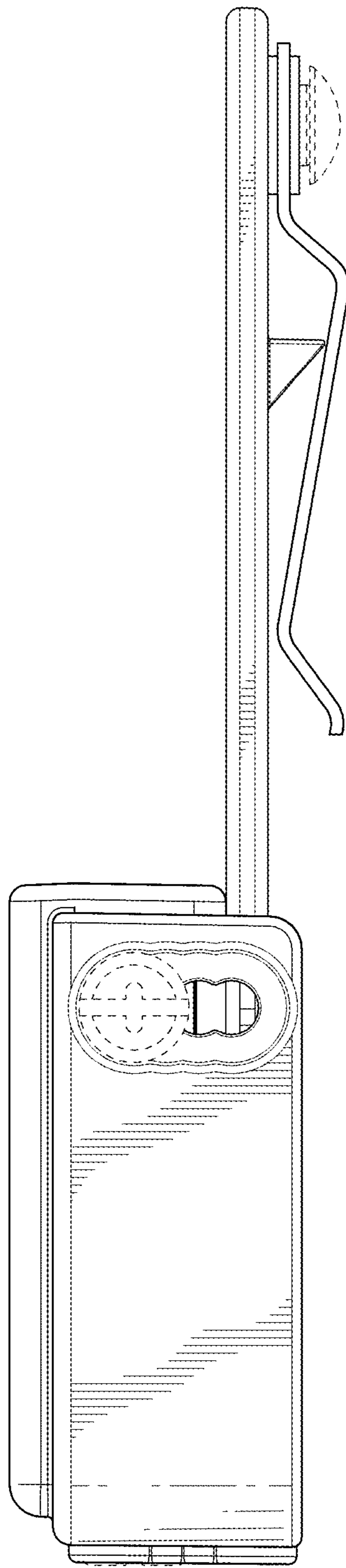


FIG.4

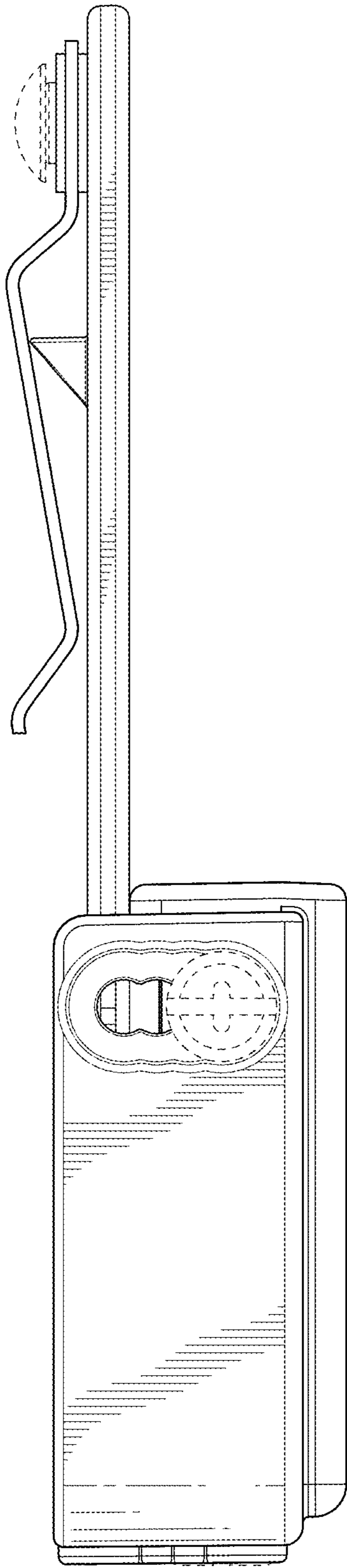


FIG. 5

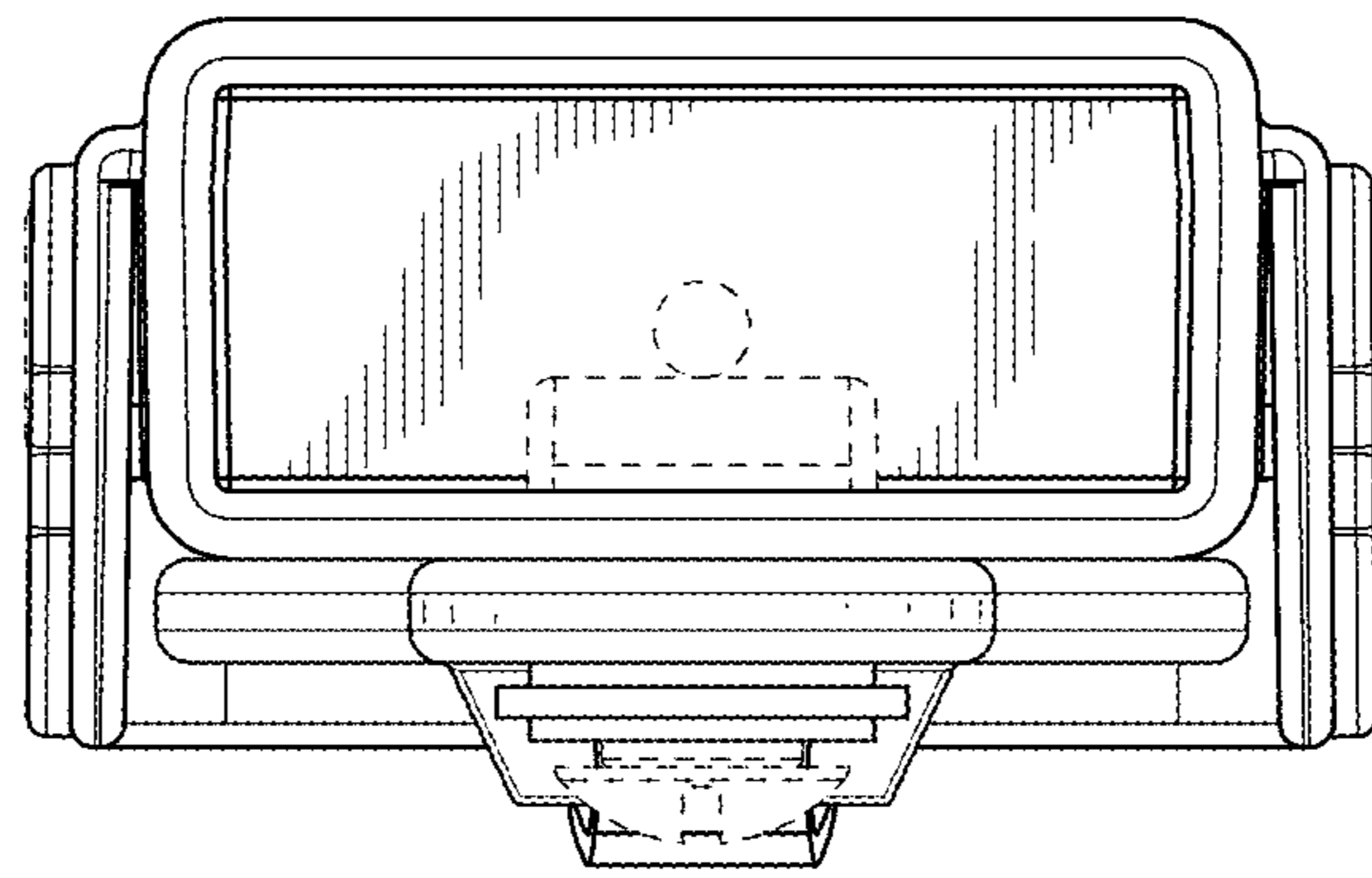


FIG. 6

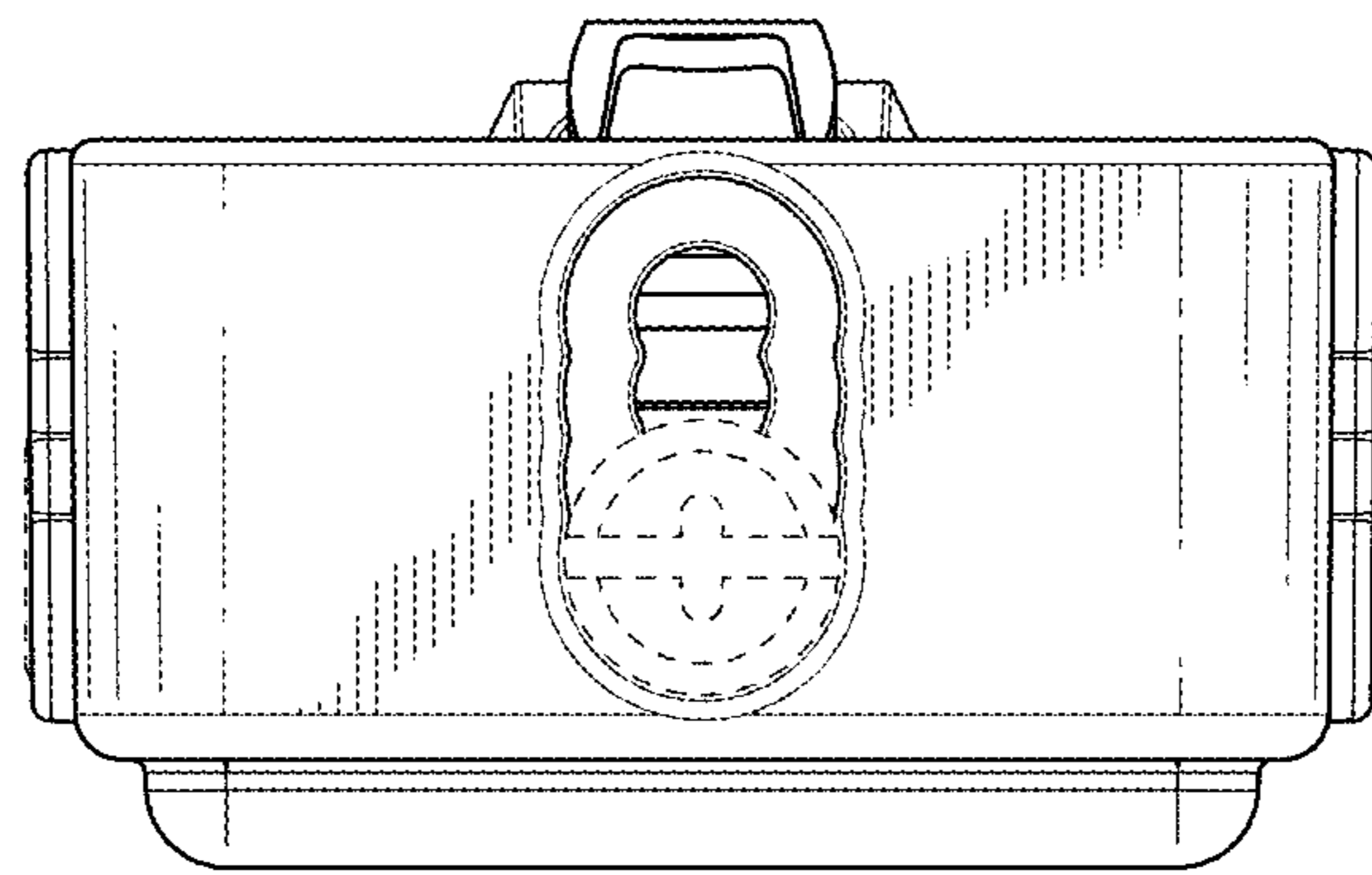


FIG. 7