



US00D874817S

(12) **United States Design Patent** (10) **Patent No.:** **US D874,817 S**
Margossian (45) **Date of Patent:** **** Feb. 11, 2020**

(54) **SUIT BACKPACK**

(71) Applicant: **Hovig Margossian**, Sherman Oaks, CA (US)

(72) Inventor: **Hovig Margossian**, Sherman Oaks, CA (US)

(**) Term: **15 Years**

(21) Appl. No.: **29/647,120**

(22) Filed: **May 9, 2018**

(51) **LOC (12) Cl.** **03-01**

(52) **U.S. Cl.**
USPC **D3/217**

(58) **Field of Classification Search**
USPC D3/215-217, 273, 289, 290, 318, 321, D3/322, 323, 243, 244, 246, 232, 211, D3/223, 234, 238, 248, 270, 271.2, 325; 383/72
CPC A45F 4/02; A45F 4/08; A45F 2200/05; A45F 2200/0525; A45F 3/04; A45F 3/042; A45F 3/047; A45F 3/08; A45F 3/10; A45F 3/14; A45C 13/08; A45C 13/083; A45C 13/1046; A45C 2003/007; A45C 3/10

See application file for complete search history.

(56) **References Cited**

U.S. PATENT DOCUMENTS

3,995,802 A	12/1976	Johnston	
5,165,111 A	11/1992	Lieberman	
5,259,539 A	11/1993	Brotman	
D441,190 S *	5/2001	Eskandry	D3/216
D446,009 S	8/2001	Mandell	
D455,897 S *	4/2002	Jones	D3/217
D660,585 S *	5/2012	McDonald	D3/217
D683,537 S *	6/2013	Bandru	D3/217
D690,502 S	10/2013	Bergquist	
D699,032 S *	2/2014	BenDavid	D3/216
8,820,596 B1 *	9/2014	Bergquist	A45F 4/02 224/153

(Continued)

OTHER PUBLICATIONS

Professional Weekender, posted at ebags.com, no posting date, online, URL:https://www.ebags.com/product/ebags/tls-professional-weekender/272275?productid=10362791&cat=travel-backpacks&country=US¤cy=(Year: 2019).*

Primary Examiner — Barbara Fox

Assistant Examiner — Mary Shannon Malley

(74) *Attorney, Agent, or Firm* — Foundation Law Group; Sevag Demirjian

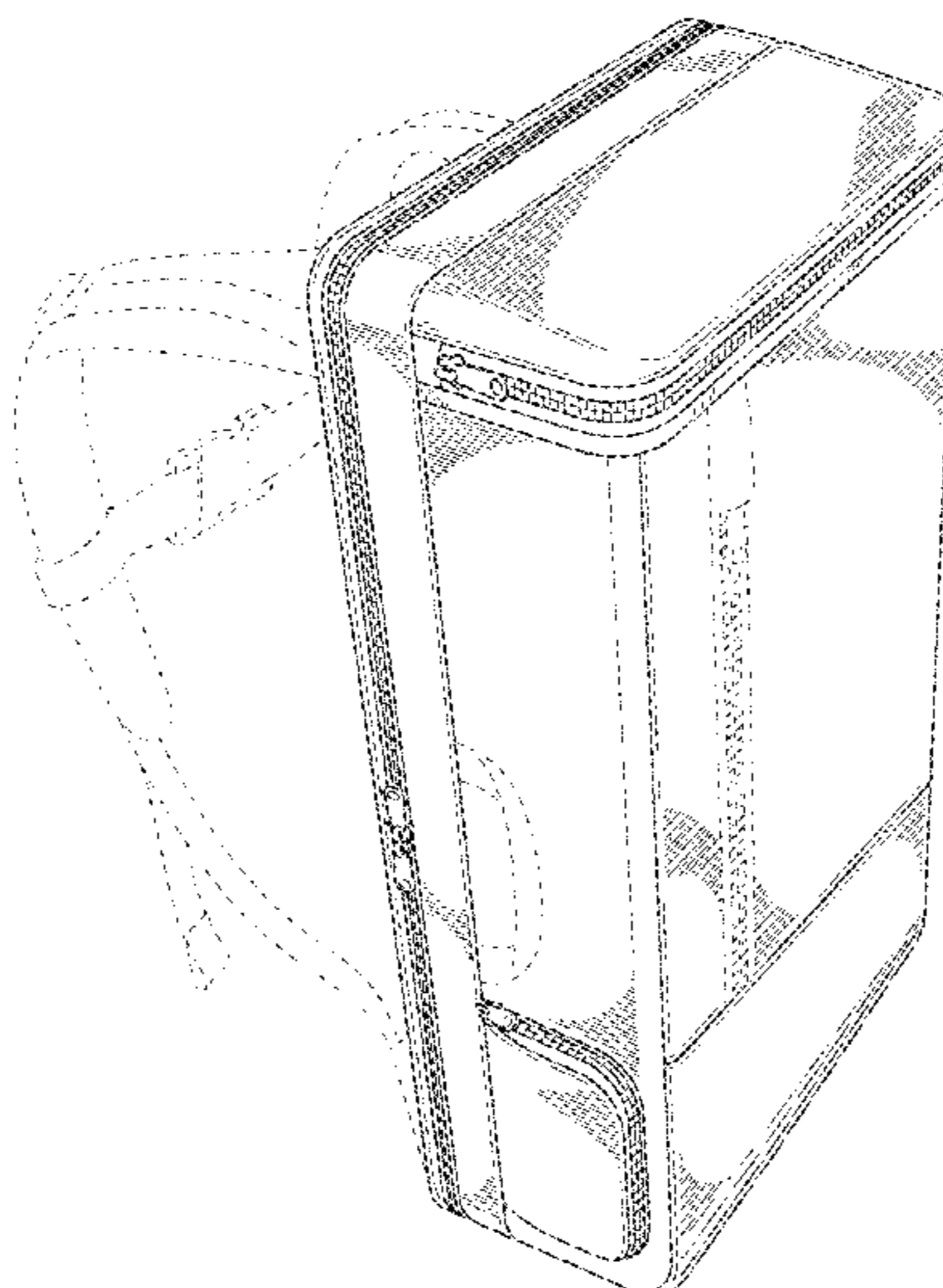
(57) **CLAIM**

The ornamental design for a suit backpack, as shown and described.

DESCRIPTION

FIG. 1 is a top front left side perspective view of a suit backpack shown in a closed configuration; FIG. 2 is a front elevation view thereof; FIG. 3 is a rear elevation view thereof; FIG. 4 is a left side elevation view thereof; FIG. 5 is a right side elevation view thereof; FIG. 6 is a top plan view thereof; FIG. 7 is a bottom plan view thereof; FIG. 8 is a top, rear, left side perspective view of the suit backpack shown in an open configuration; FIG. 9 is a front elevation view thereof, shown at a reduced scale; FIG. 10 is a rear elevation view thereof, shown at a reduced scale; FIG. 11 is a left side elevation view thereof; FIG. 12 is a right side elevation view thereof; FIG. 13 is a top plan view thereof, shown at a reduced scale; and, FIG. 14 is a bottom plan view thereof, shown at a reduced scale. The broken lines in the figures illustrate the portions of the design that form no part of the claimed design.

1 Claim, 13 Drawing Sheets



(56)

References Cited

U.S. PATENT DOCUMENTS

D721,482	S *	1/2015	Simmons	D3/216
D731,796	S *	6/2015	Tong	D3/279
D812,898	S *	3/2018	Lai	D3/217
D829,436	S *	10/2018	Benzon	D3/217
D849,398	S *	5/2019	Tan	D3/217
2009/0260940	A1 *	10/2009	Gracer	A45C 13/02
					190/110
2011/0174583	A1 *	7/2011	Yoneno	A45C 5/14
					190/103

* cited by examiner

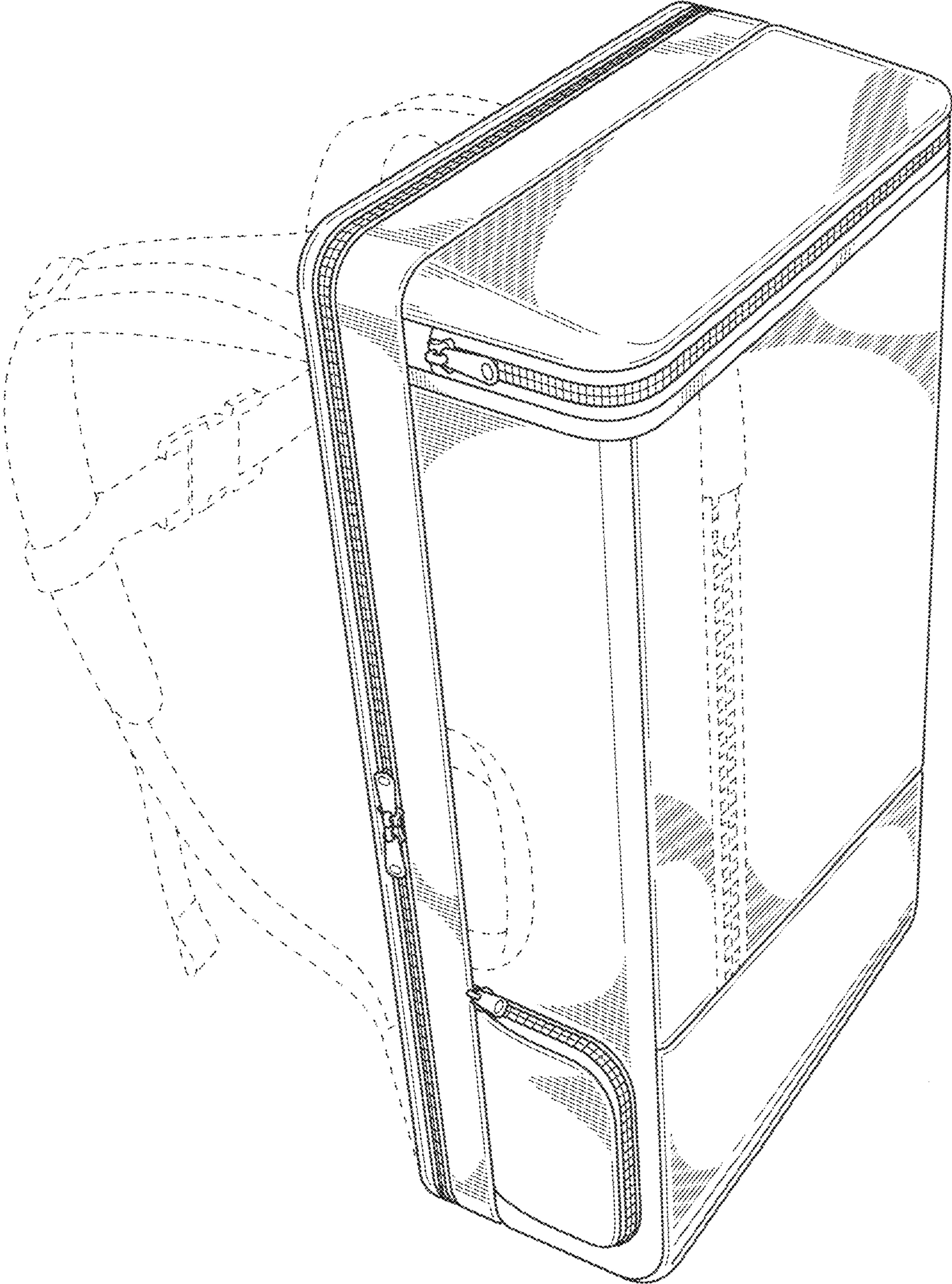


FIG. 1

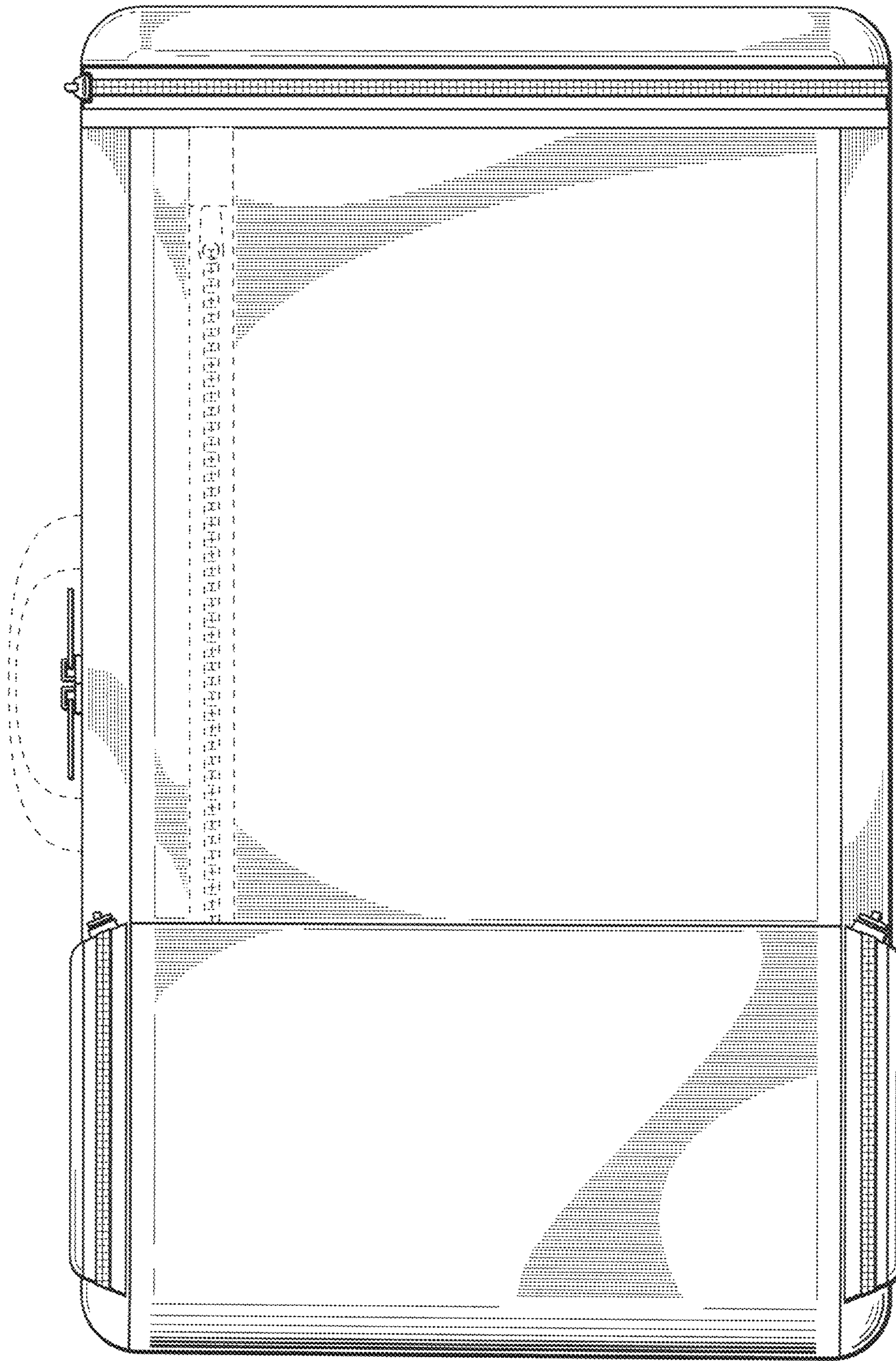


FIG. 2

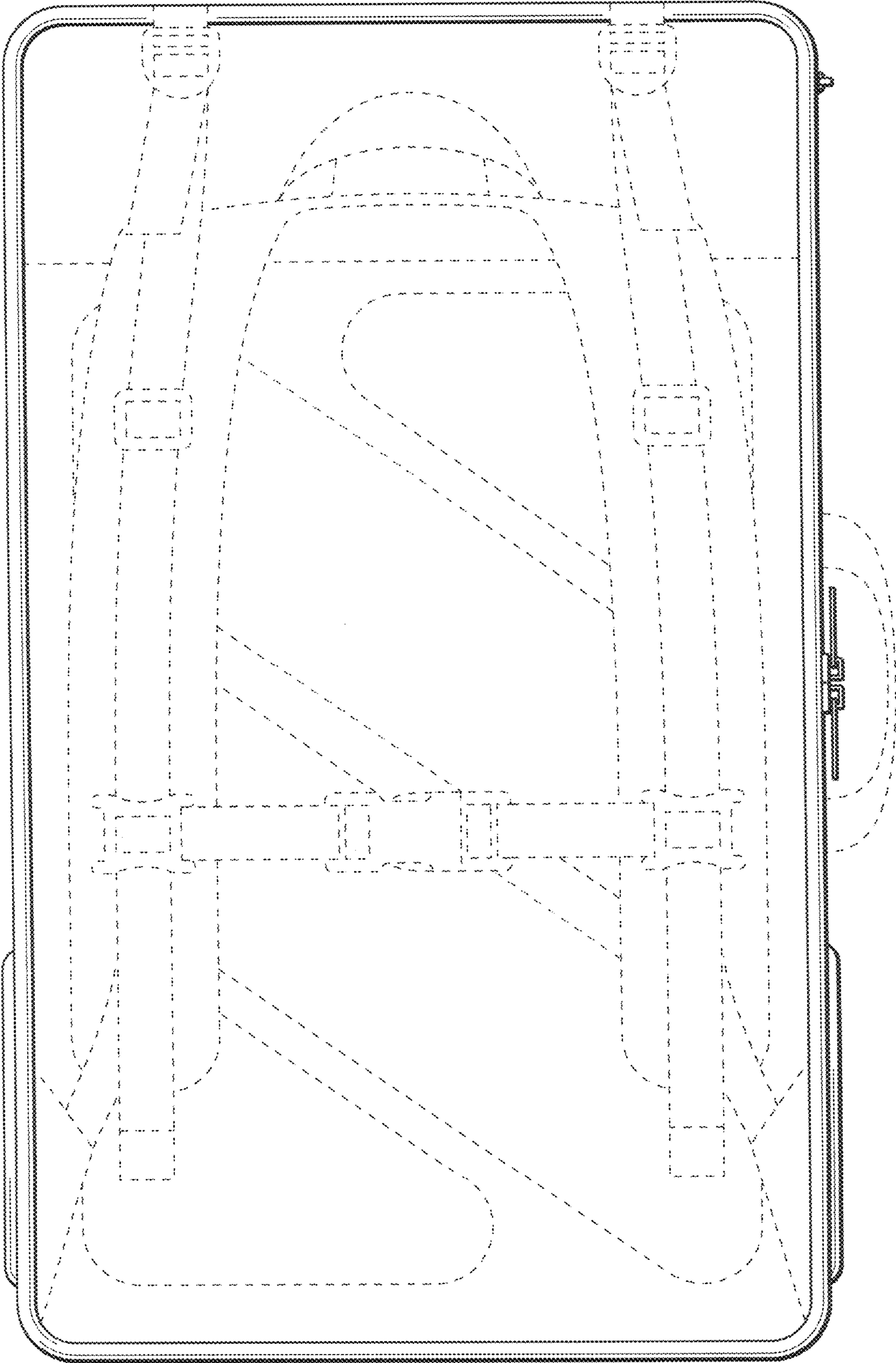


FIG. 3

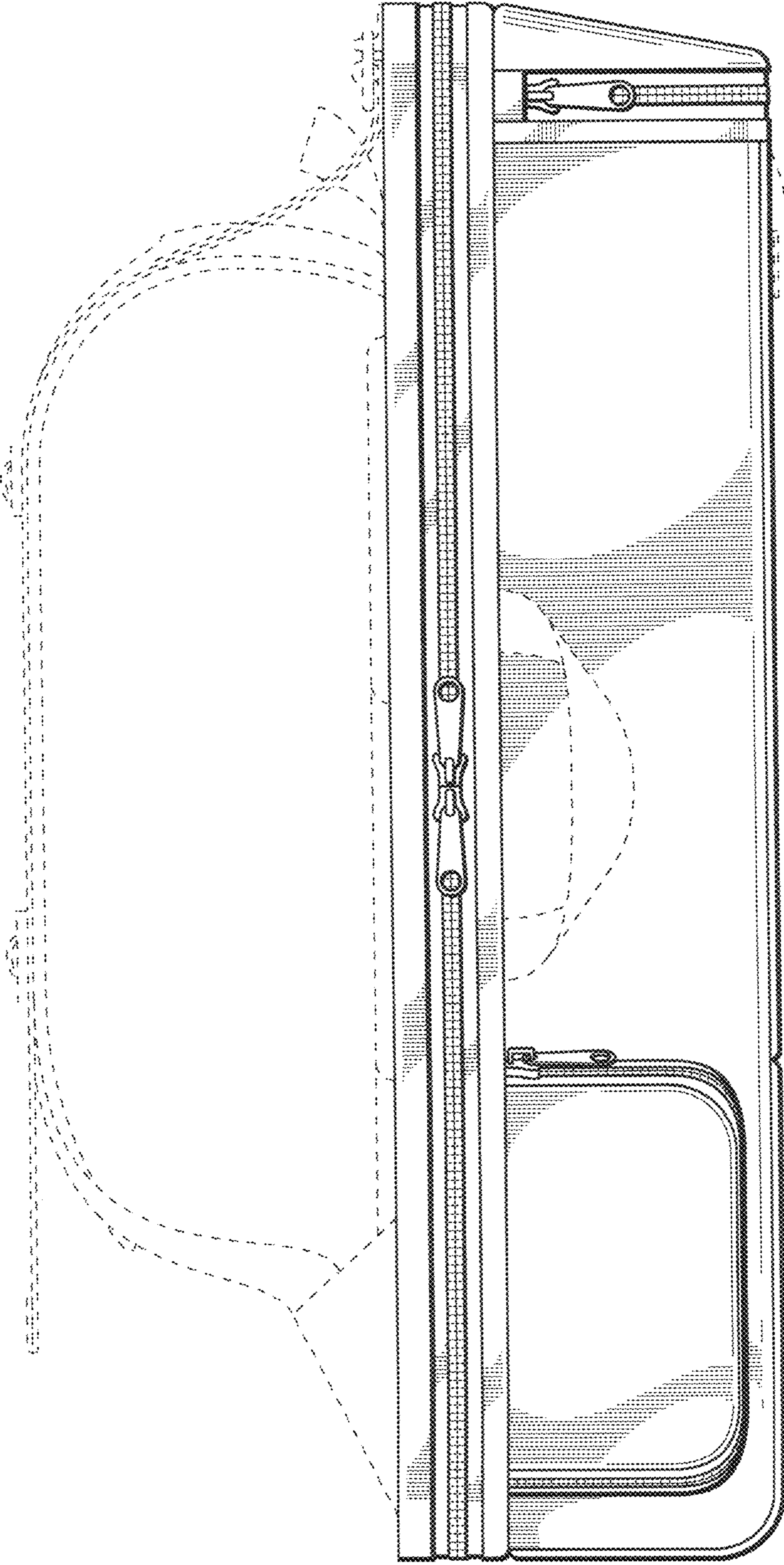


FIG. 4

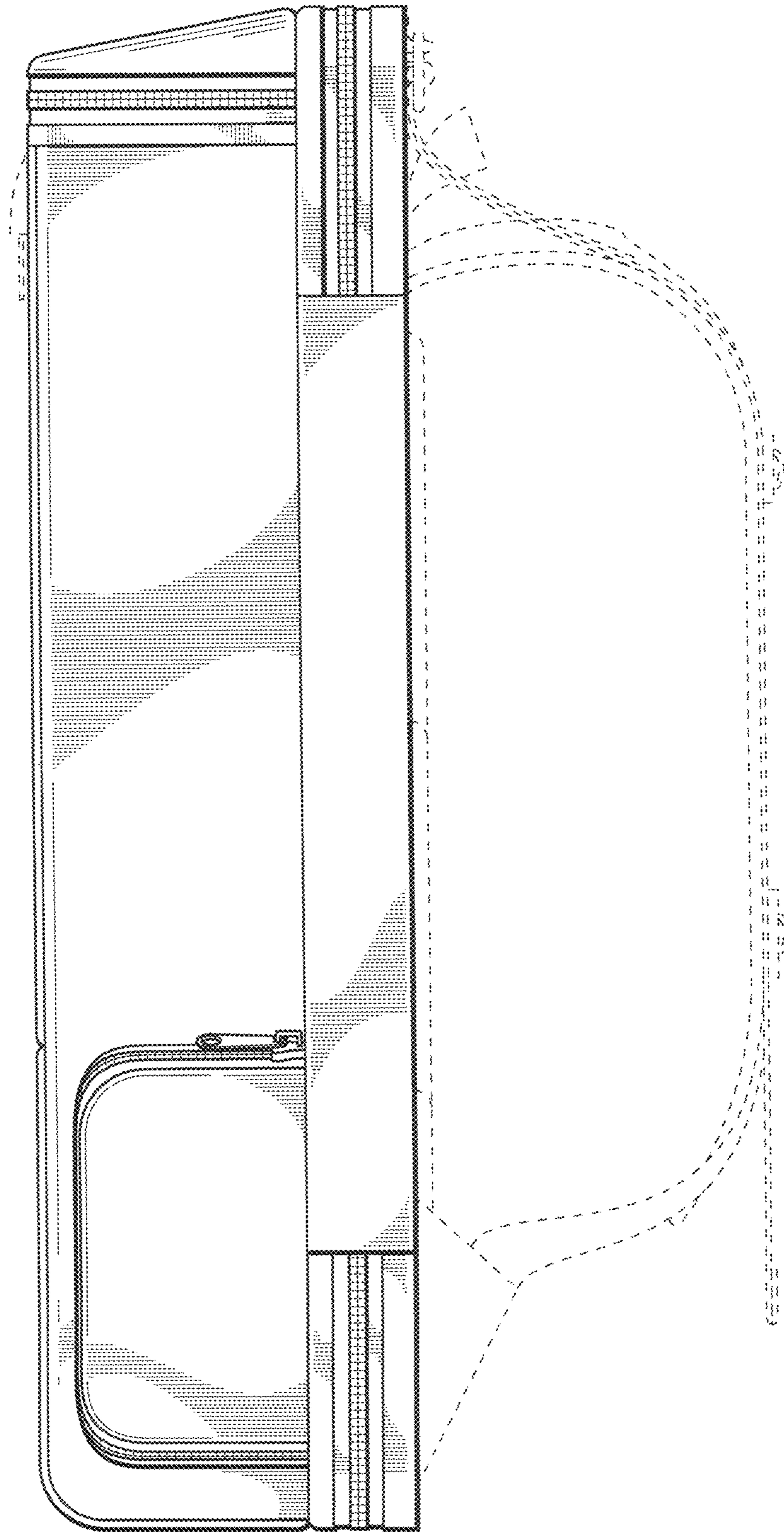


FIG. 5

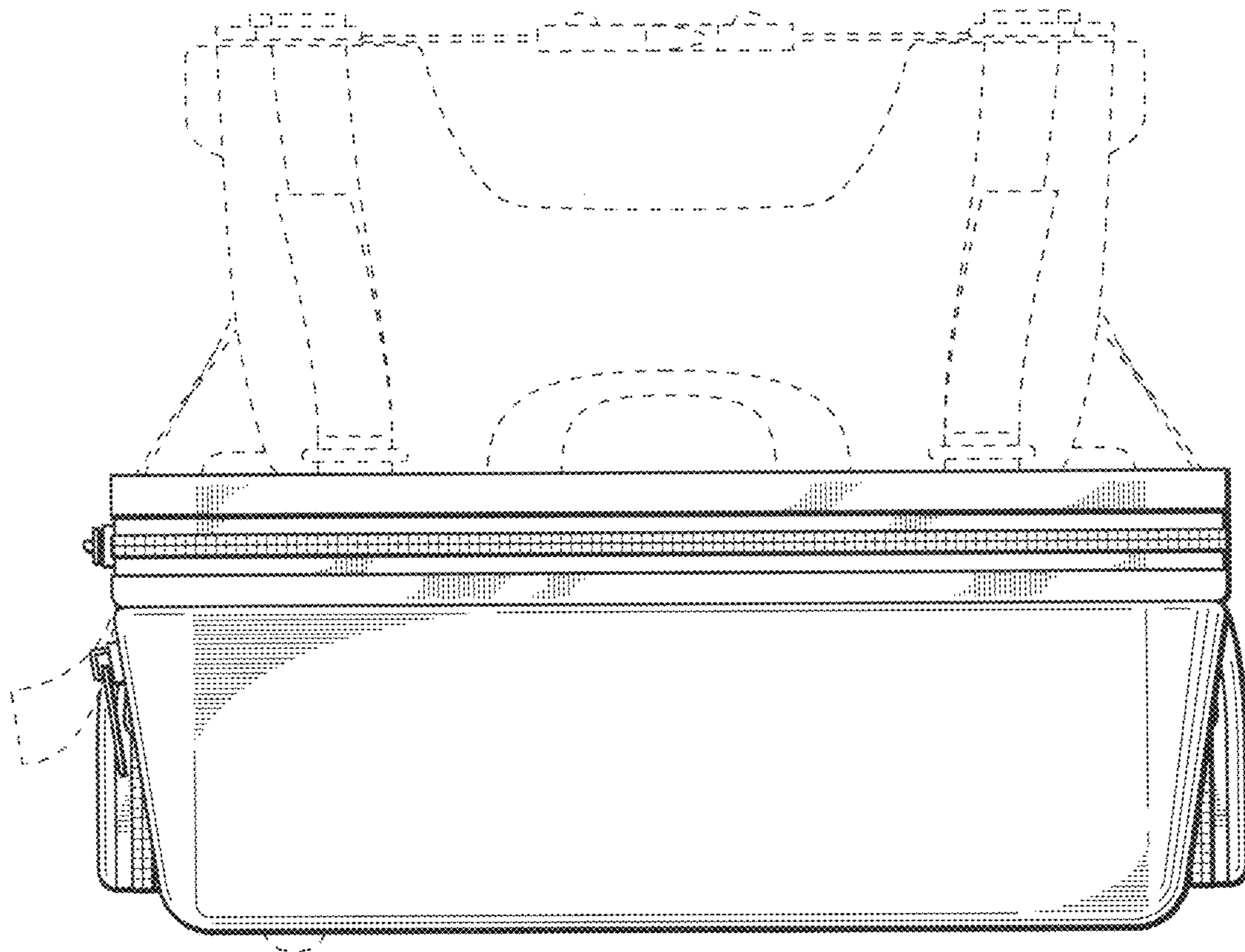


FIG. 6

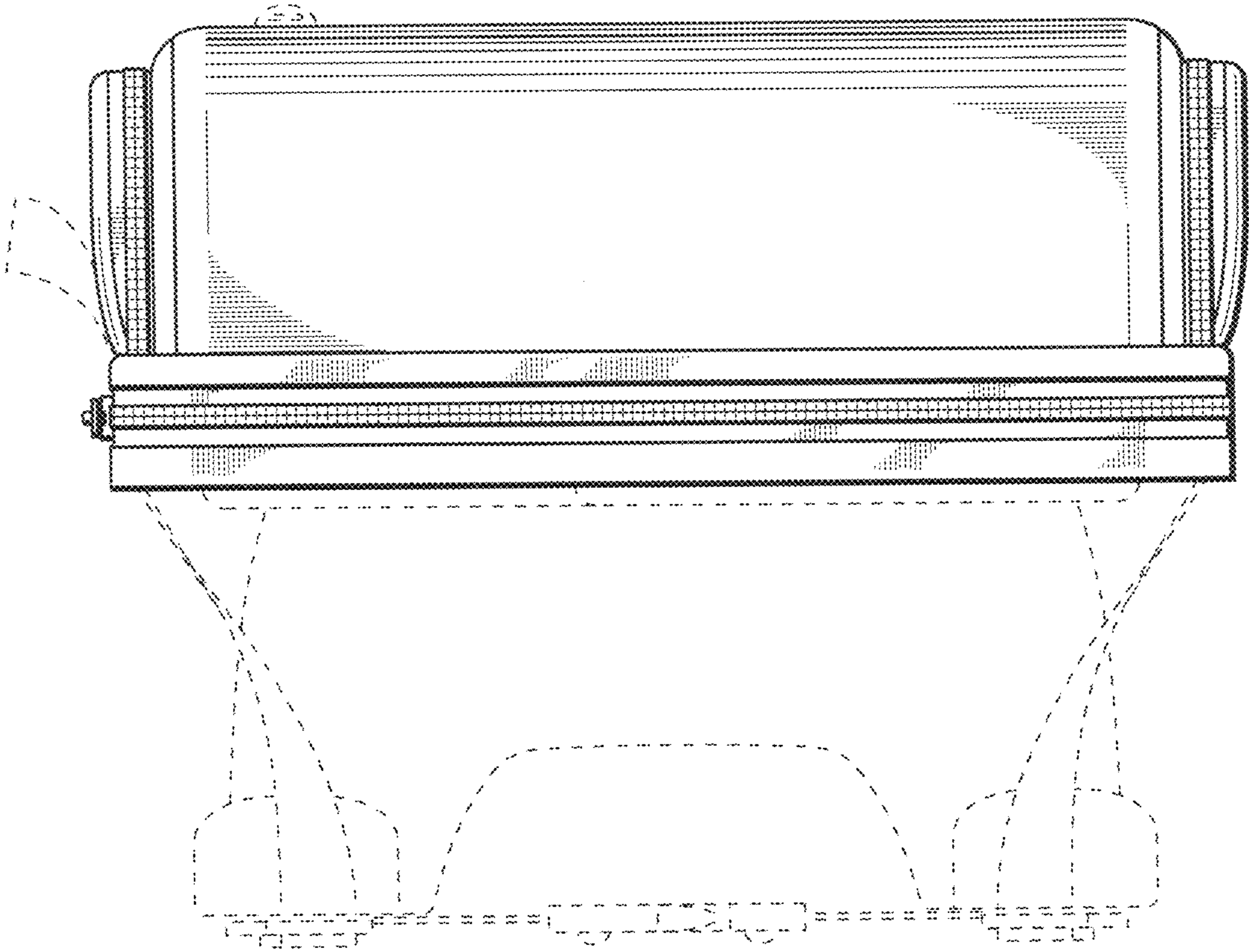


FIG. 7

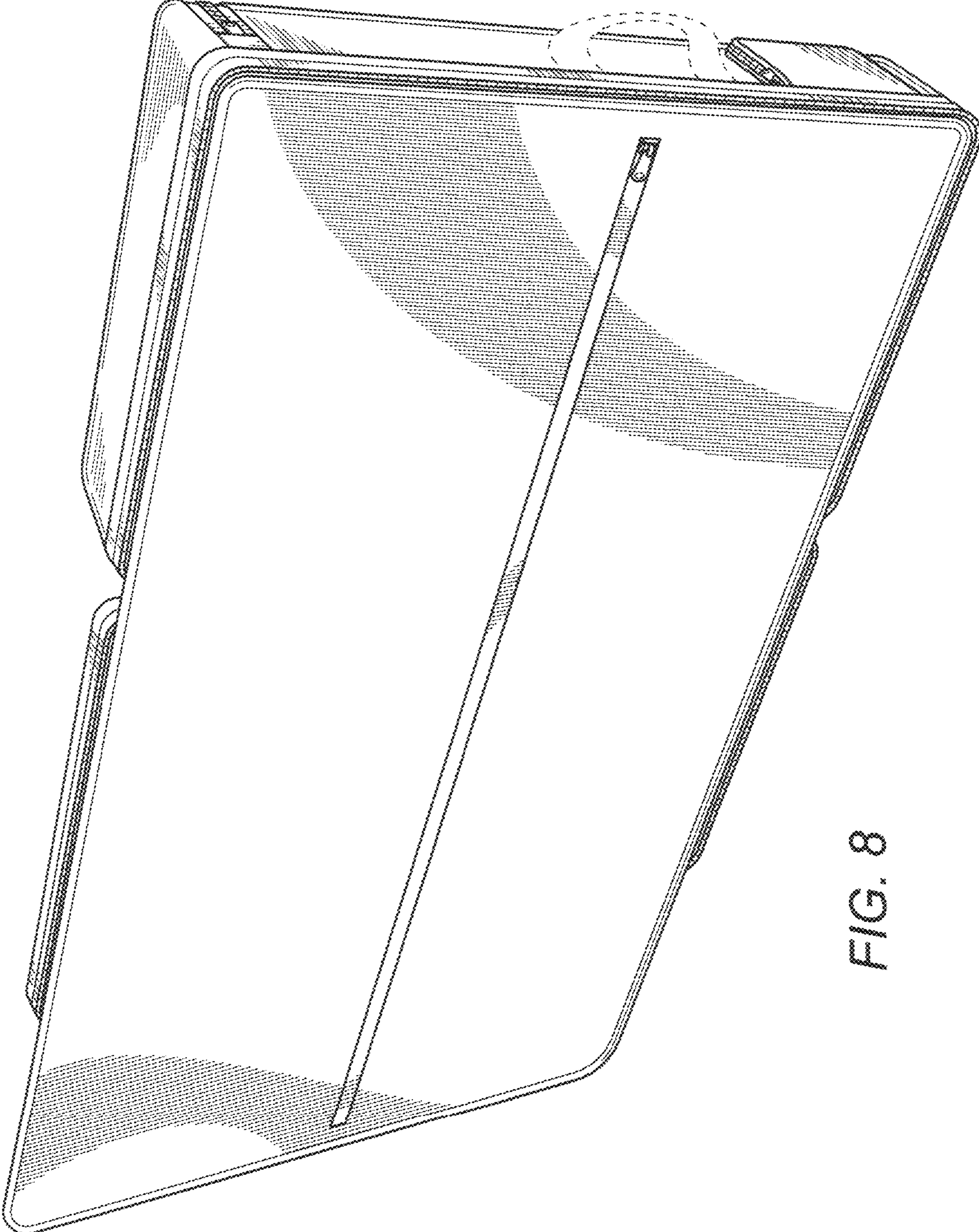


FIG. 8

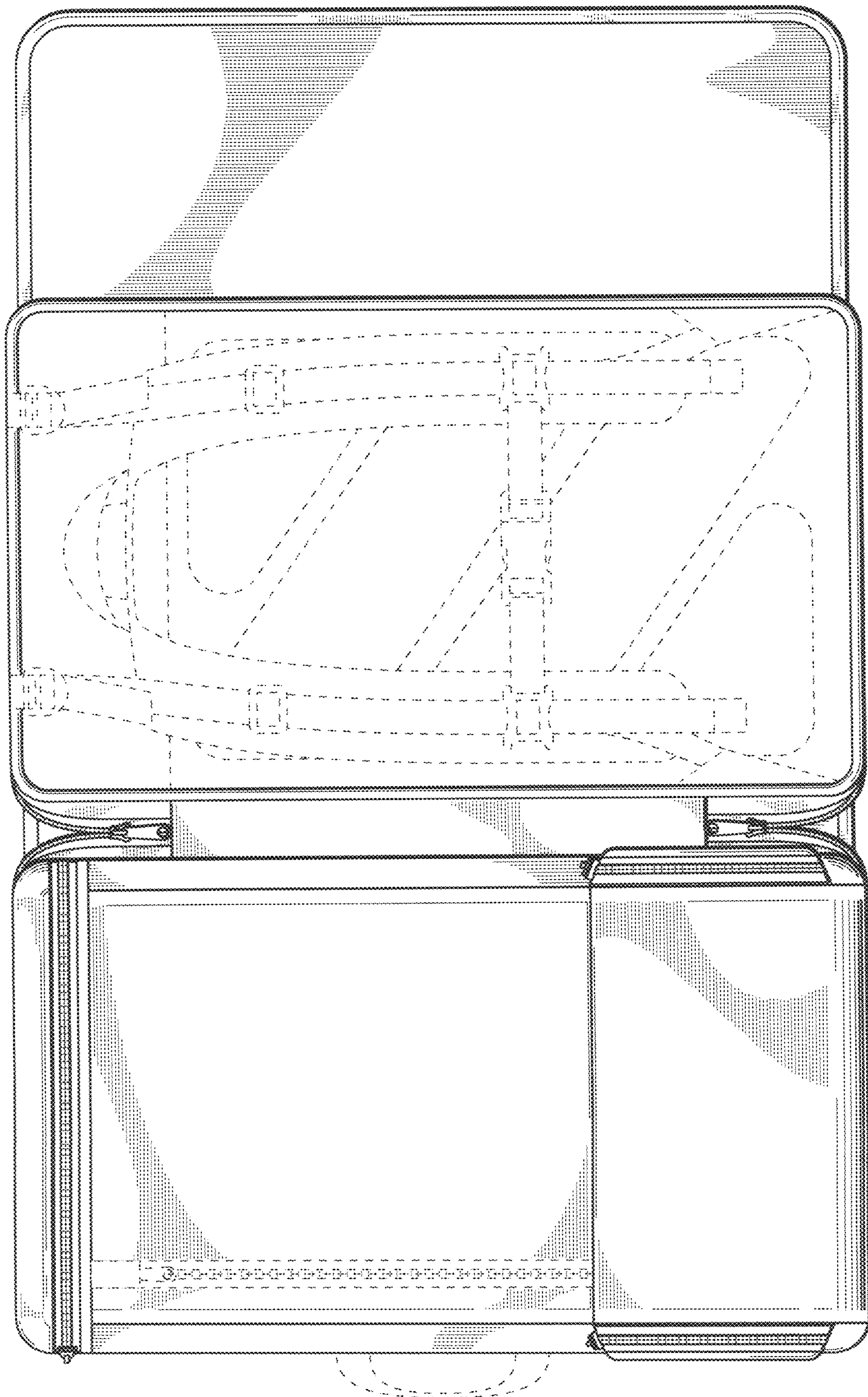


FIG. 9

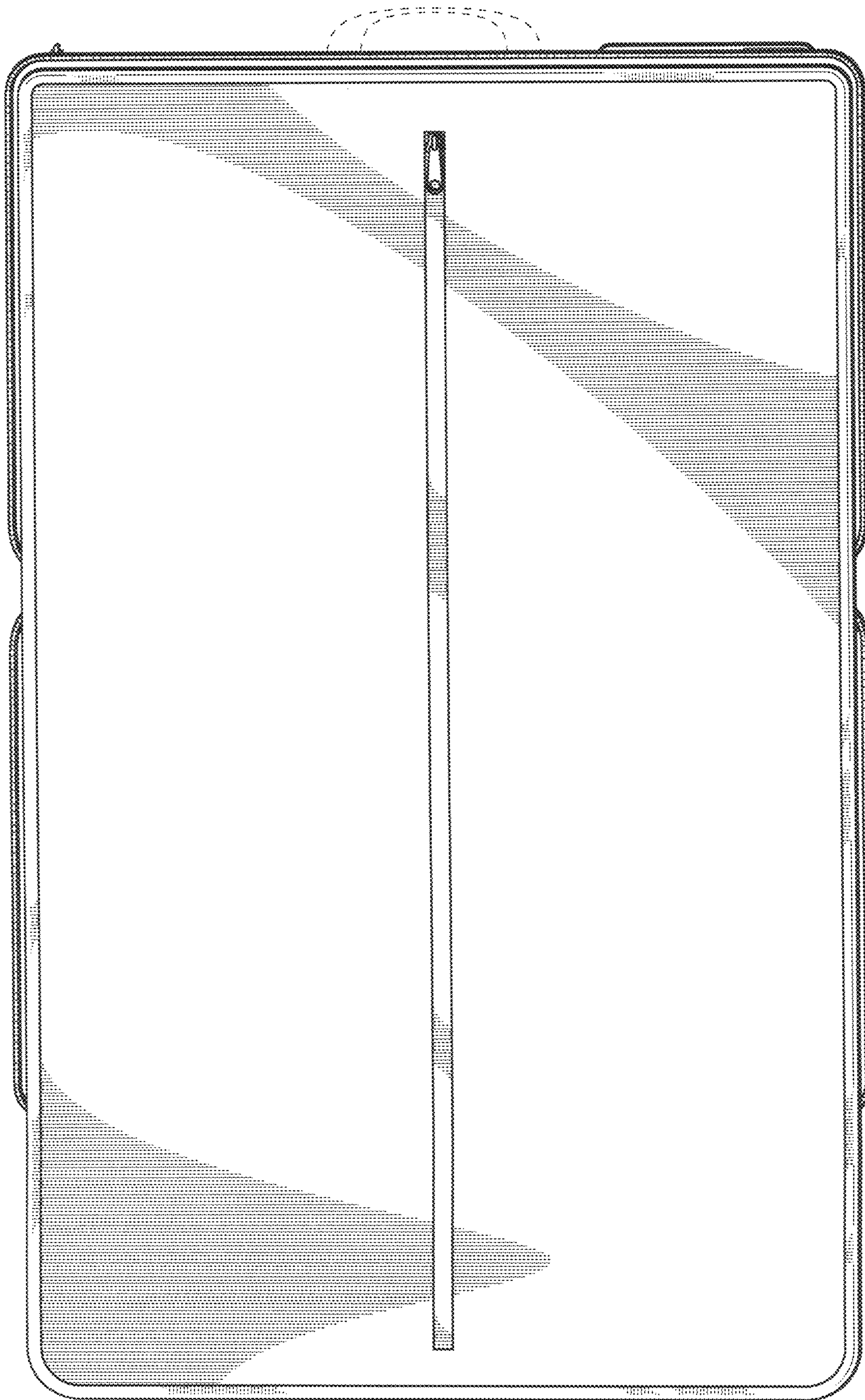


FIG. 10

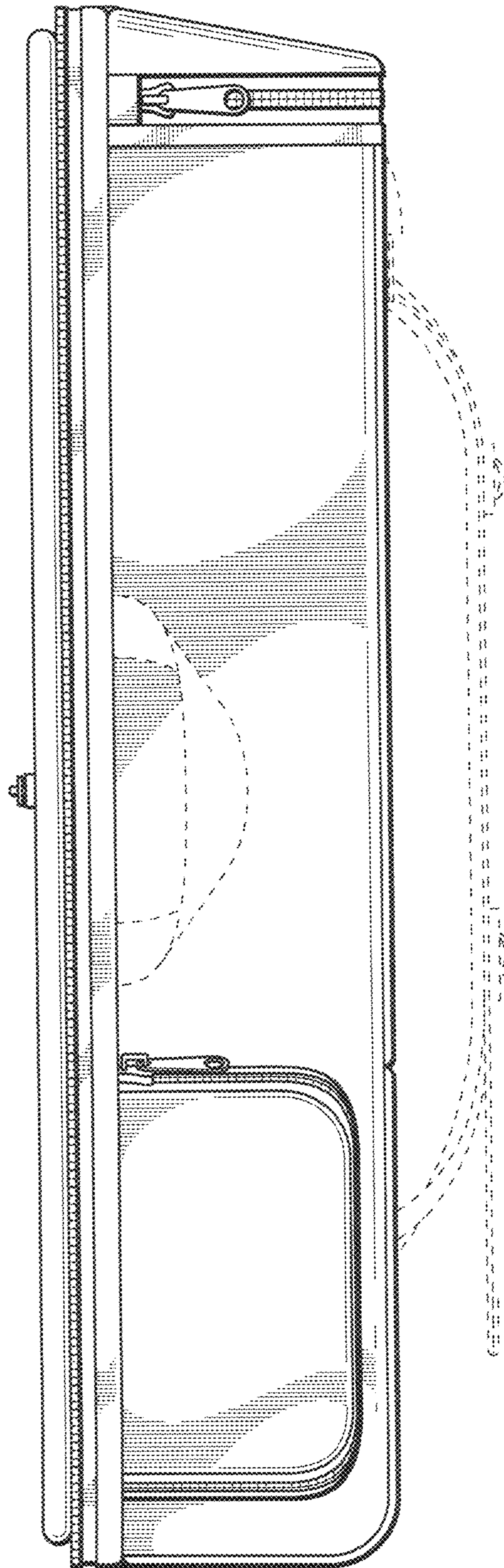


FIG. 11

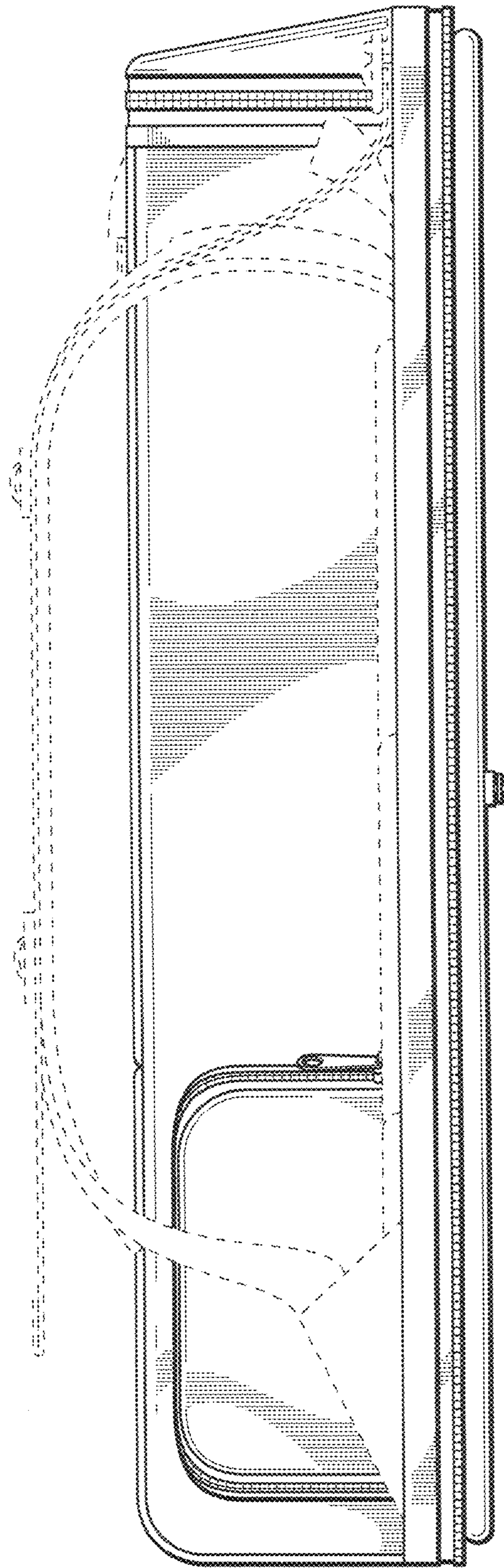


FIG. 12

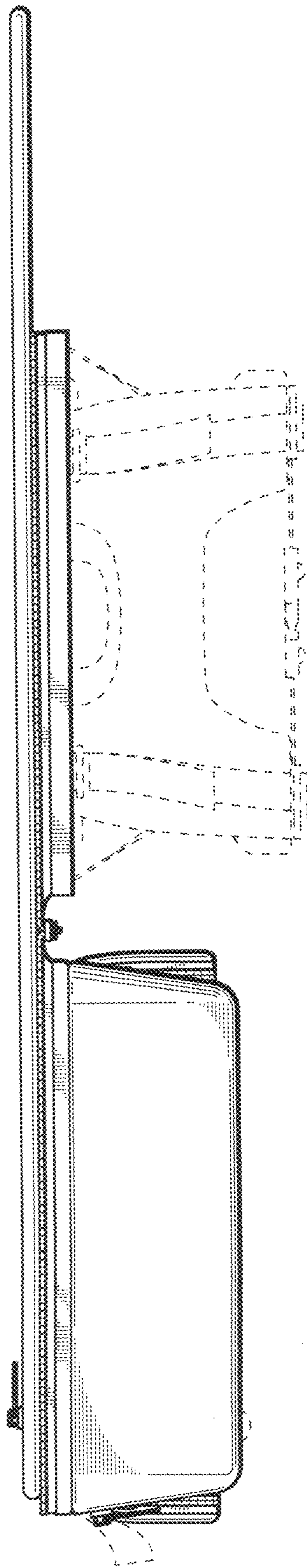


FIG. 13

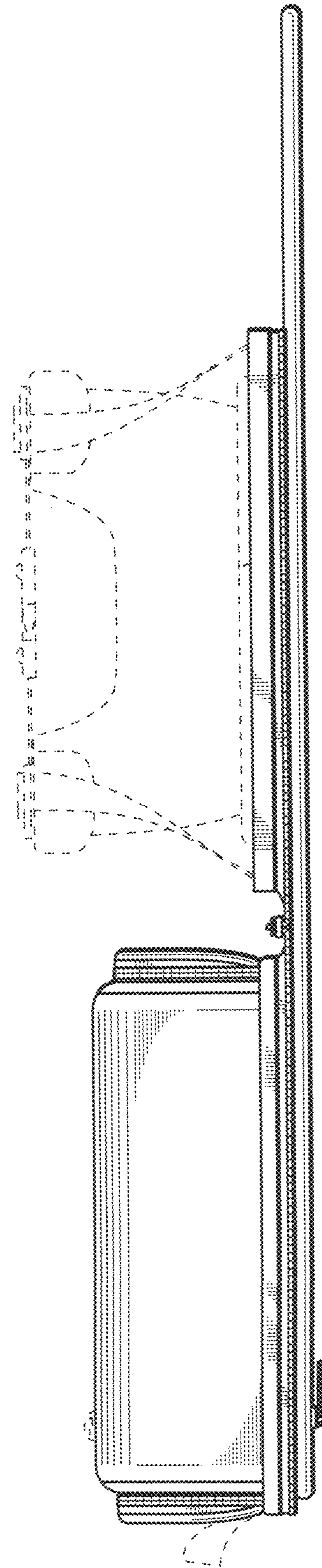


FIG. 14