



US00D874816S

(12) **United States Design Patent**
Higuchi

(10) **Patent No.:** **US D874,816 S**

(45) **Date of Patent:** **** Feb. 11, 2020**

(54) **PEN CASE**

(71) Applicant: **OSAKA CLIP co., LTD.**, Osaka (JP)

(72) Inventor: **Tomoyuki Higuchi**, Osaka (JP)

(73) Assignee: **OSAKA CLIP co., LTD.**, Osaka (JP)

(**) Term: **15 Years**

(21) Appl. No.: **29/650,250**

(22) Filed: **Jun. 5, 2018**

(51) **LOC (12) Cl.** **03-03**

(52) **U.S. Cl.**
USPC **D3/206**

(58) **Field of Classification Search**
USPC D3/205, 206
CPC A45C 11/34; A45C 11/36
See application file for complete search history.

URL: <http://d.isot.jp/ja/Expo/2765836/Products/1206170/> - [retrieval date Jun. 9, 2017] and its English translation.

URL: <http://www.sonic-s.co.jp/news/6244> [retrieval date Jun. 15, 2017] and its English translation.

Sonic New & Promotion 2017 brochure [published Jun. 27, 2017].

* cited by examiner

Primary Examiner — Charles D Hanson

(74) *Attorney, Agent, or Firm* — Rankin, Hill & Clark LLP

(57) **CLAIM**

The ornamental design for a pen case, as shown and described.

(56) **References Cited**

U.S. PATENT DOCUMENTS

3,884,351	A *	5/1975	James	A45C 11/26
					206/225
D417,949	S *	12/1999	Fantinelli	D3/206
D451,674	S *	12/2001	Leins	D3/206
D535,470	S *	1/2007	Busam	D3/206
D592,046	S *	5/2009	Myers	D7/615
D811,723	S *	3/2018	Chen	D3/206
10,017,321	B2 *	7/2018	Empey	B65D 59/06

FOREIGN PATENT DOCUMENTS

CN	304389576	12/2017
CN	207322920	5/2018

OTHER PUBLICATIONS

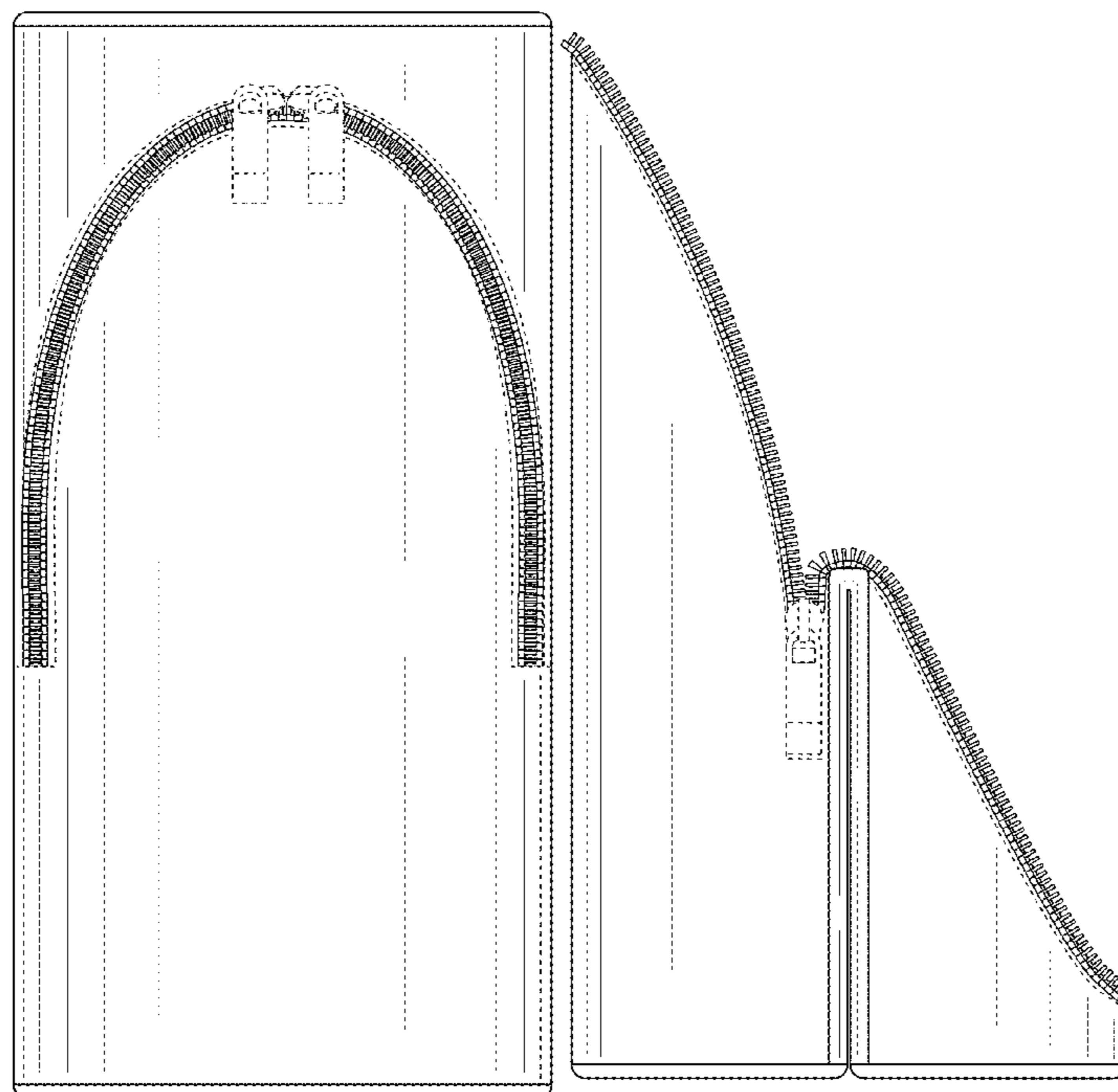
URL: http://www.sonic-s.co.jp/e-mail/2017_ISOT_A4_DM_SONIC [retrieval date Jun. 6, 2017 and mailed on Jun. 6 and 13, 2017].

DESCRIPTION

FIG. 1 is a front view of a pen case showing my new design; FIG. 2 is a rear view thereof; FIG. 3 is a left side view thereof; FIG. 4 is a right side view thereof; FIG. 5 is a plan view thereof; FIG. 6 is a bottom view thereof; FIG. 7 is a front view which is in the unfolded state of a pen case of FIG. 1; FIG. 8 is a rear view of a pen case of FIG. 7; FIG. 9 is a left view of a pen case of FIG. 7; FIG. 10 is a right view of a pen case of FIG. 7; FIG. 11 is a plan view of a pen case of FIG. 7; and, FIG. 12 is a bottom view of a pen case of FIG. 7.

The broken lines shown are included for the purpose of illustrating the unclaimed portions of and form no part of the claimed design.

1 Claim, 9 Drawing Sheets



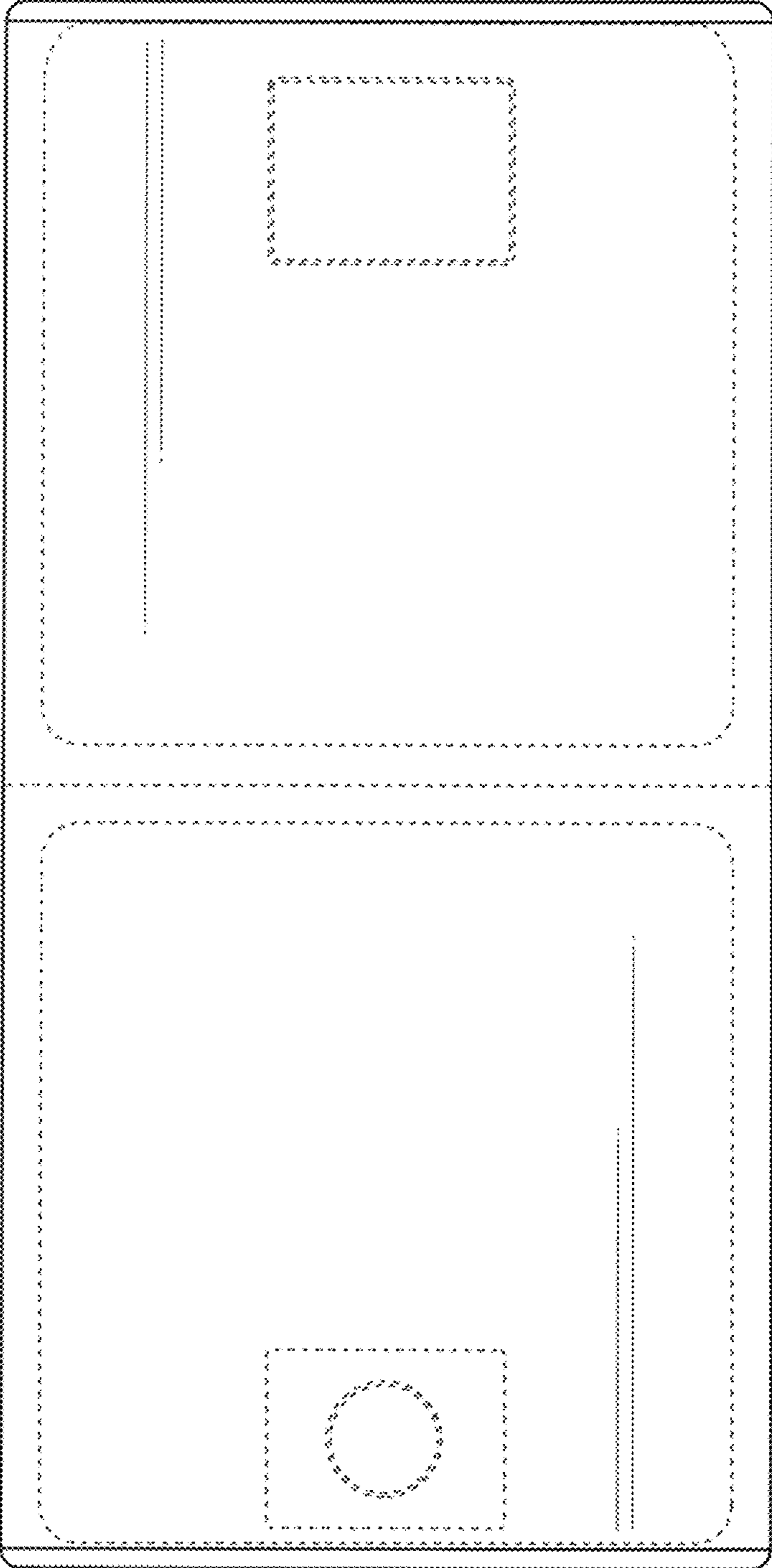


FIG. 1

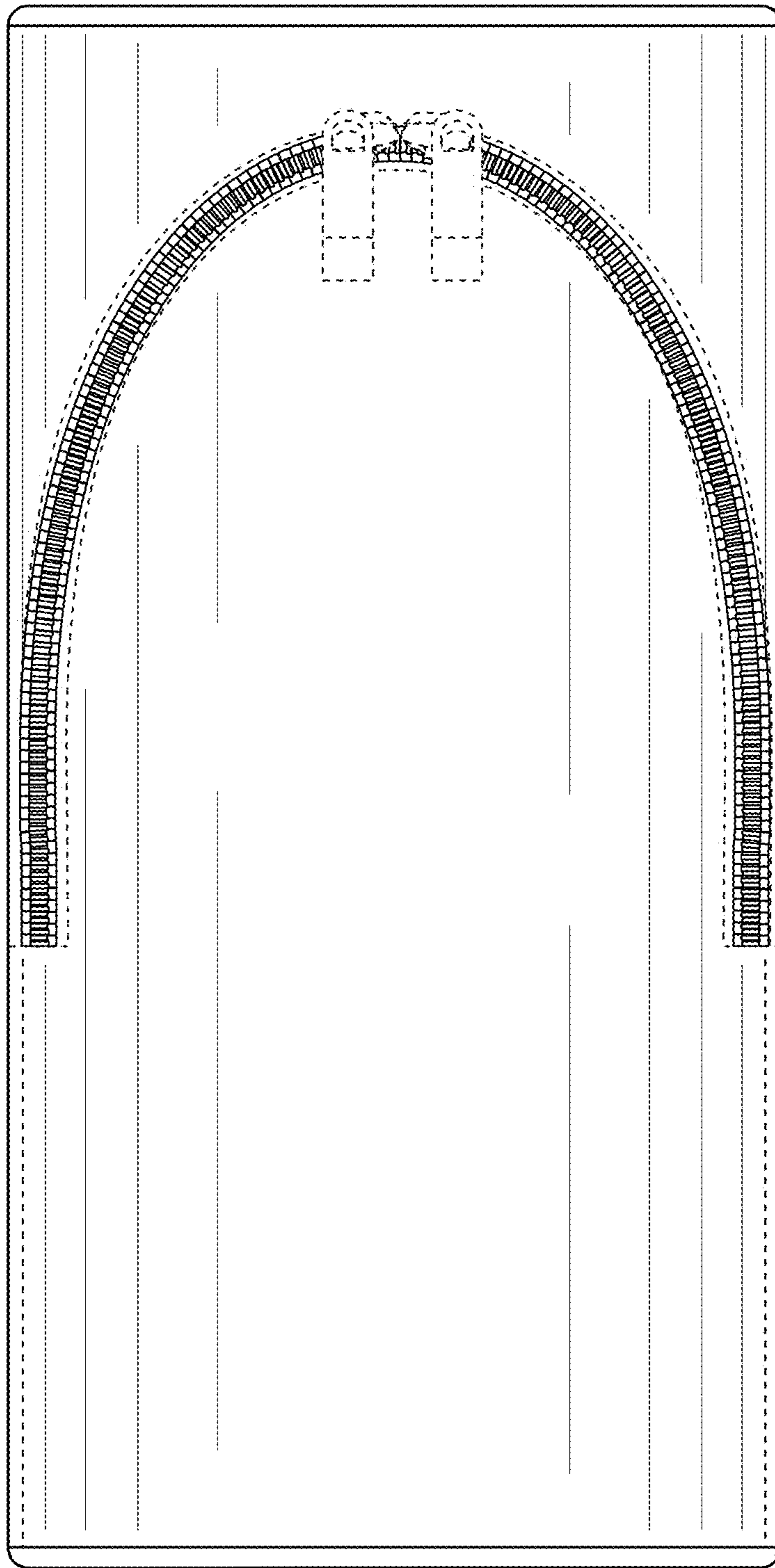


FIG. 2

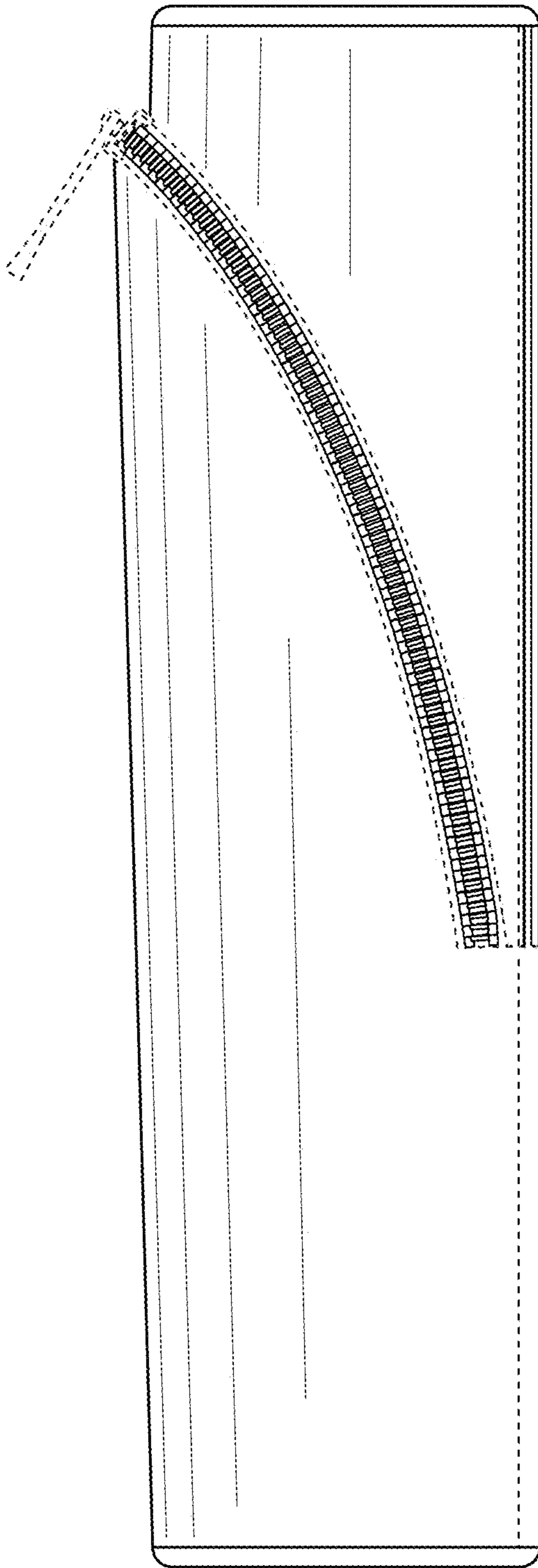


FIG. 3

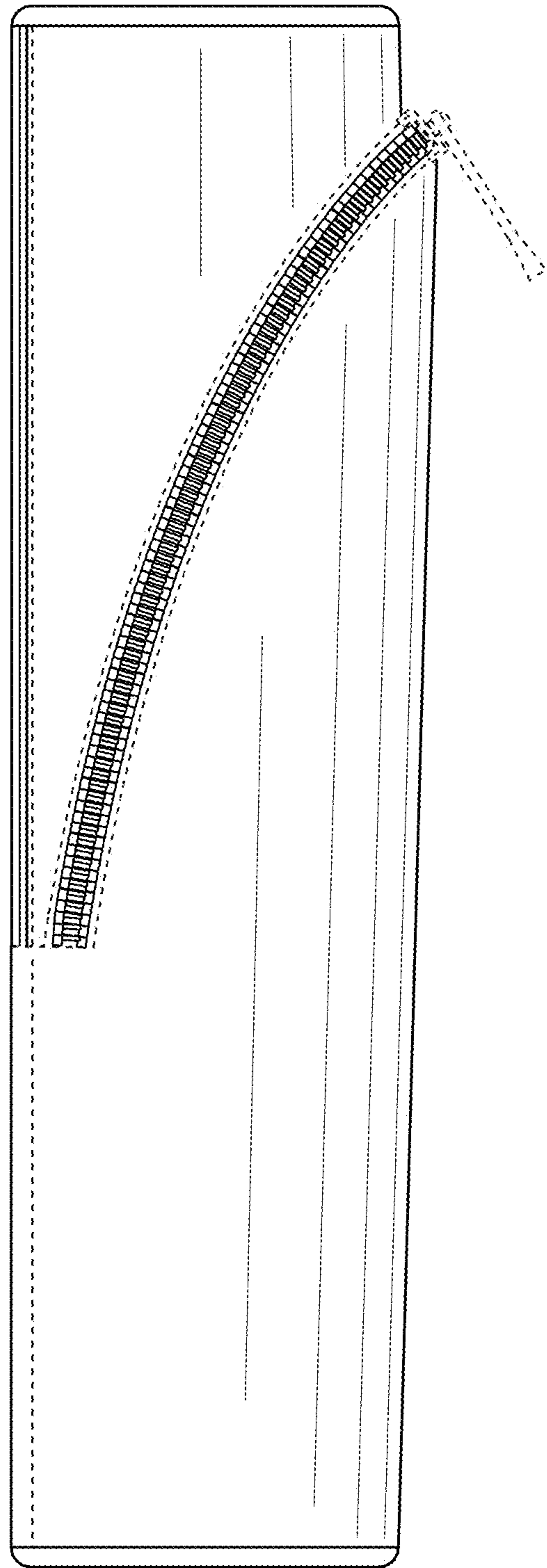


FIG. 4

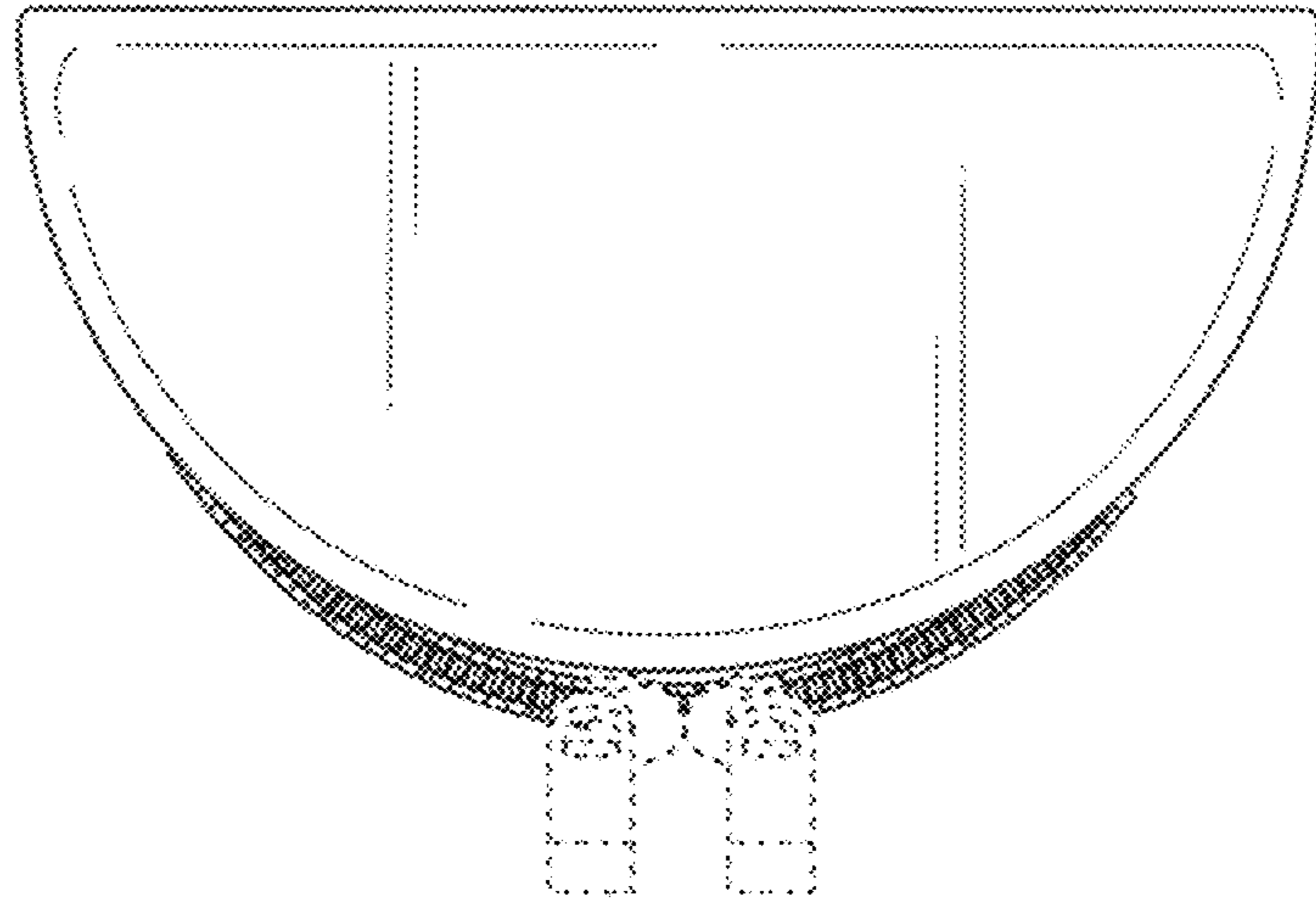


FIG. 5

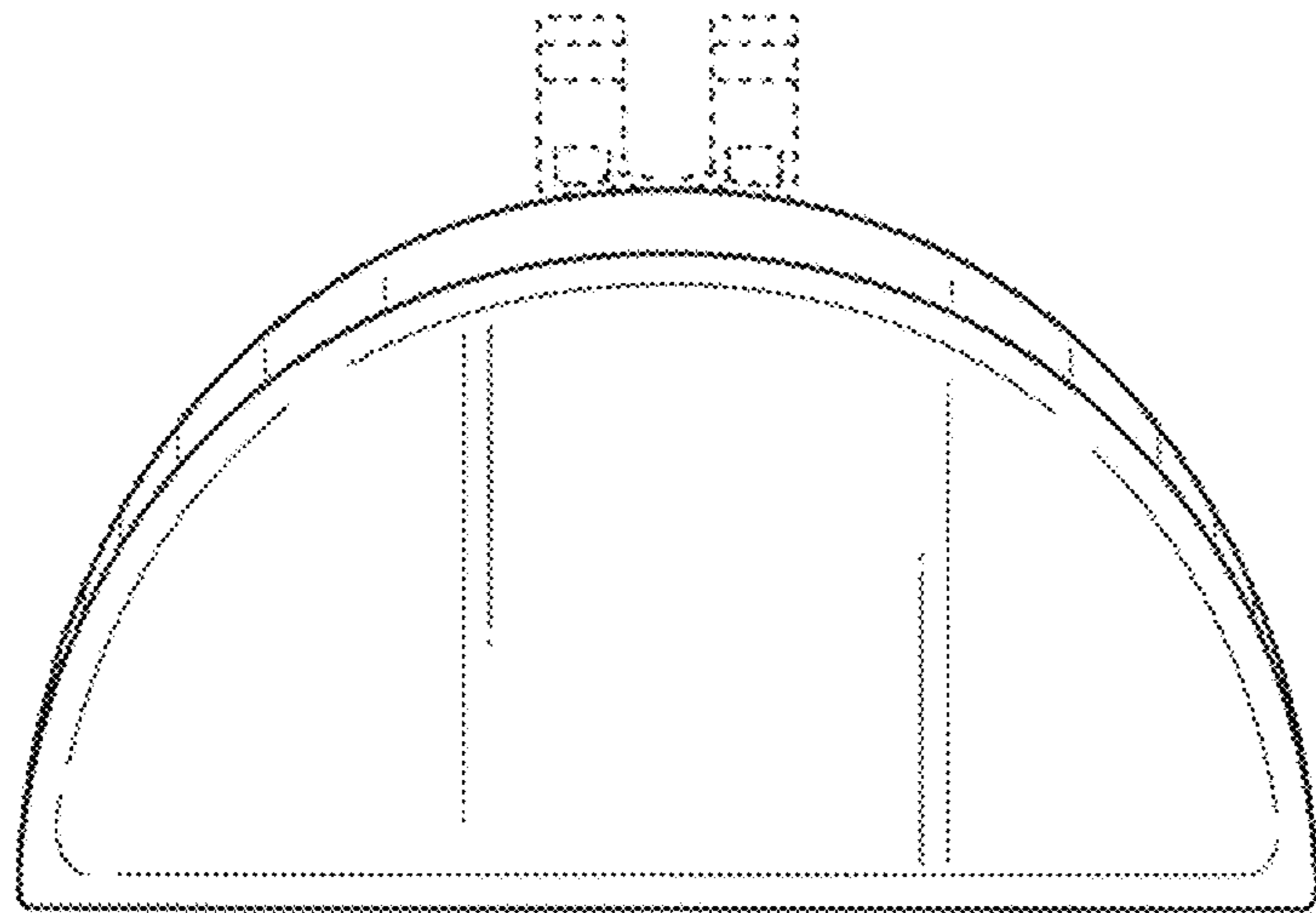


FIG. 6

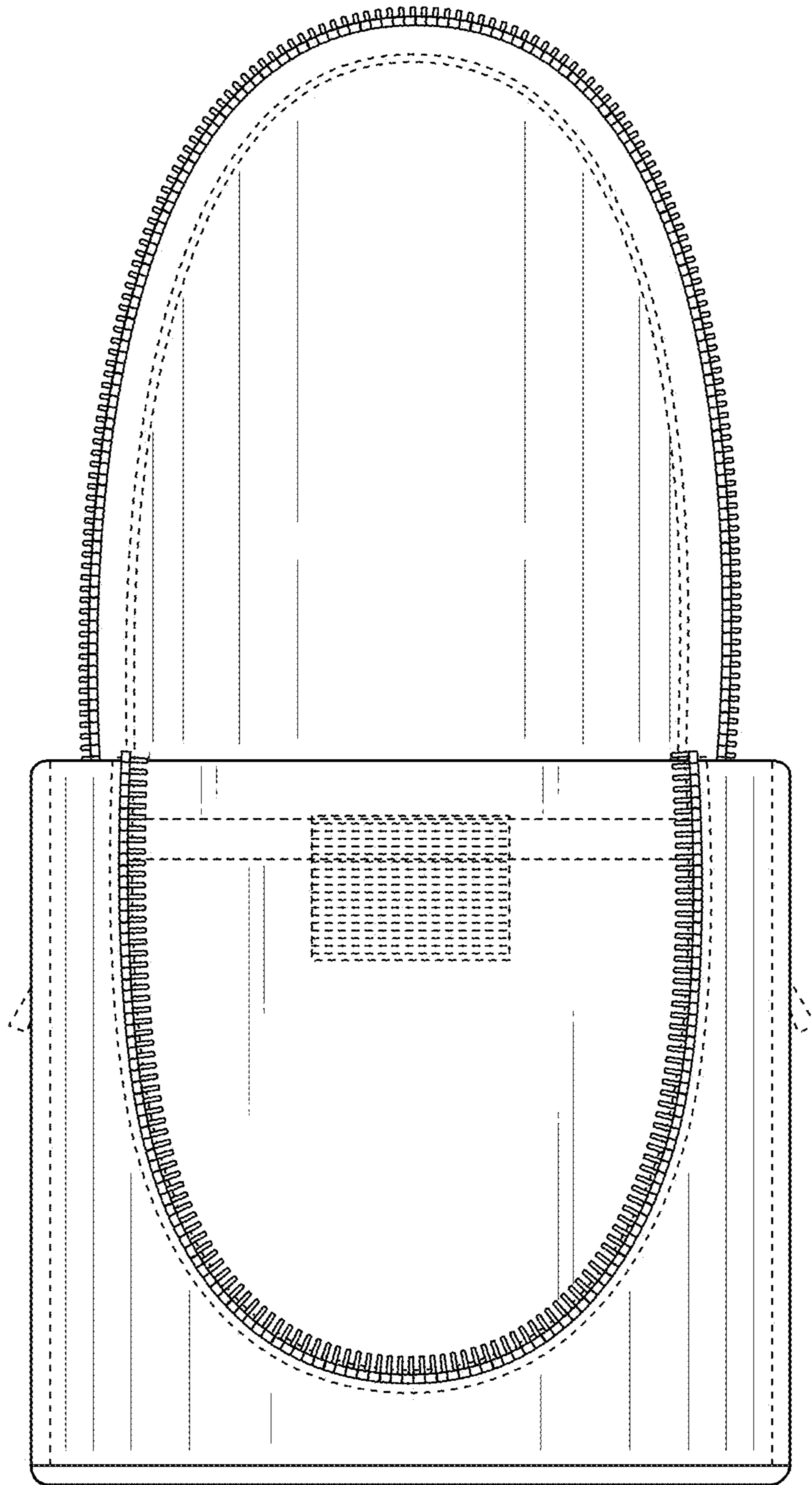


FIG. 7

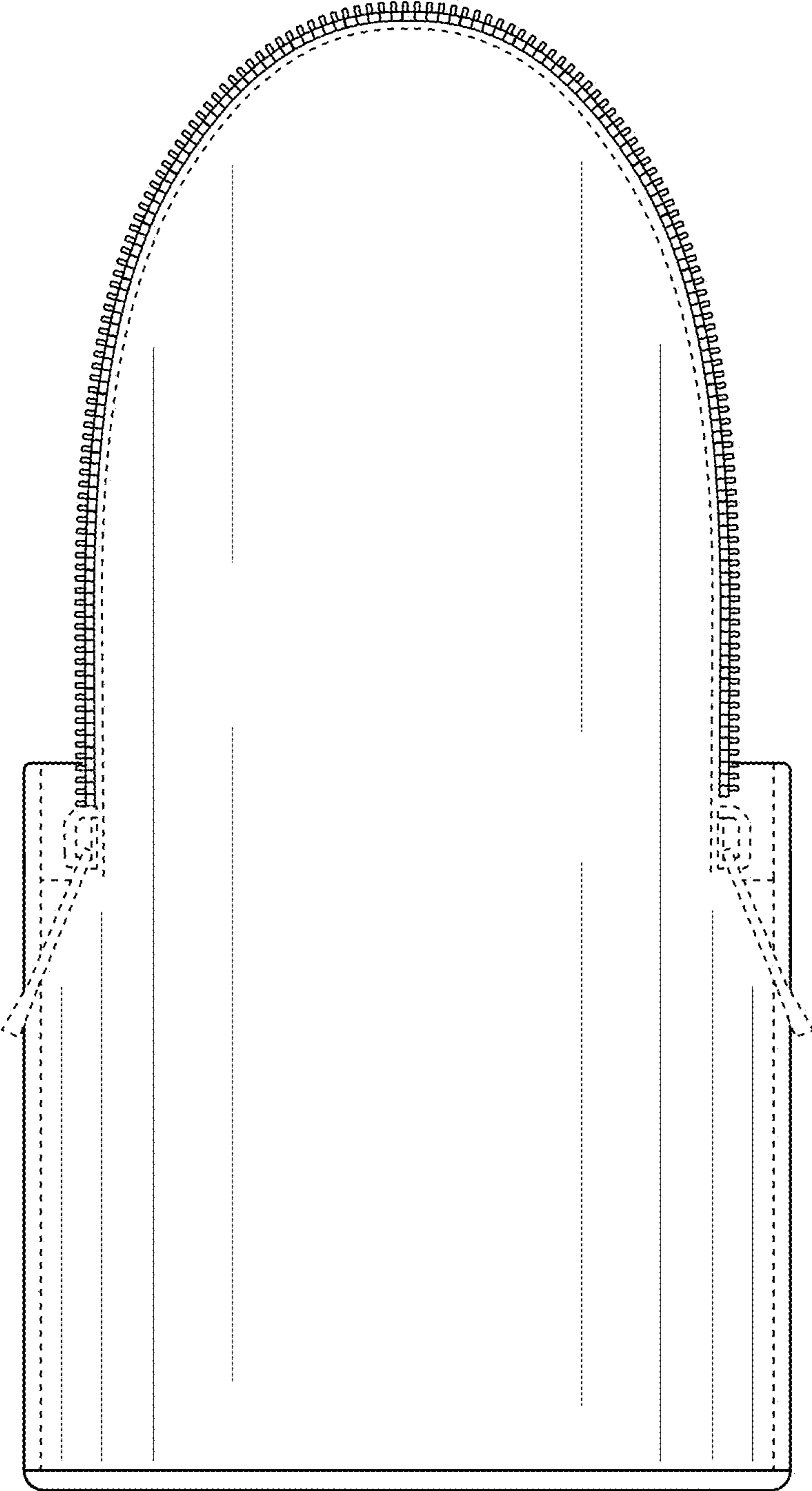


FIG. 8

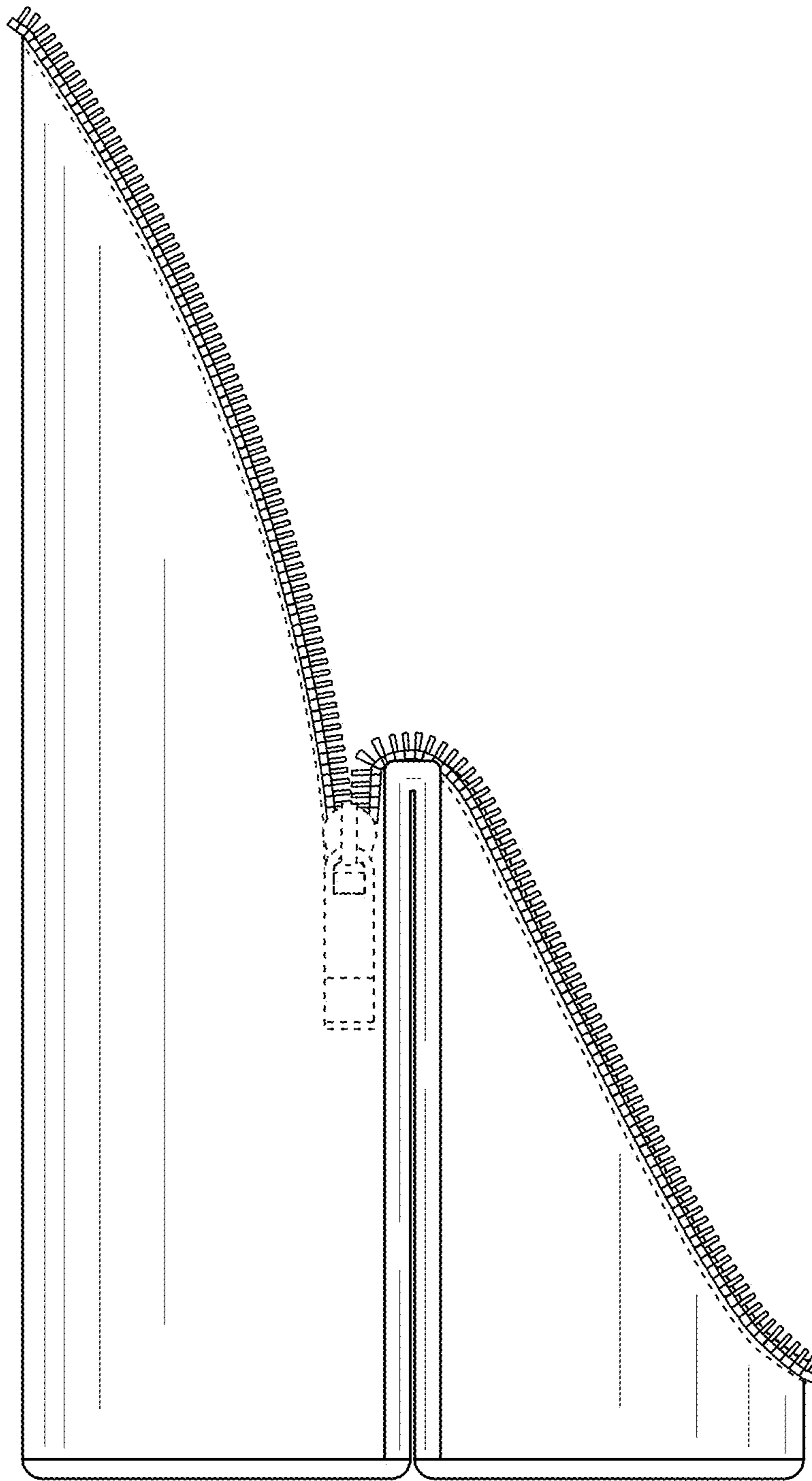


FIG. 9

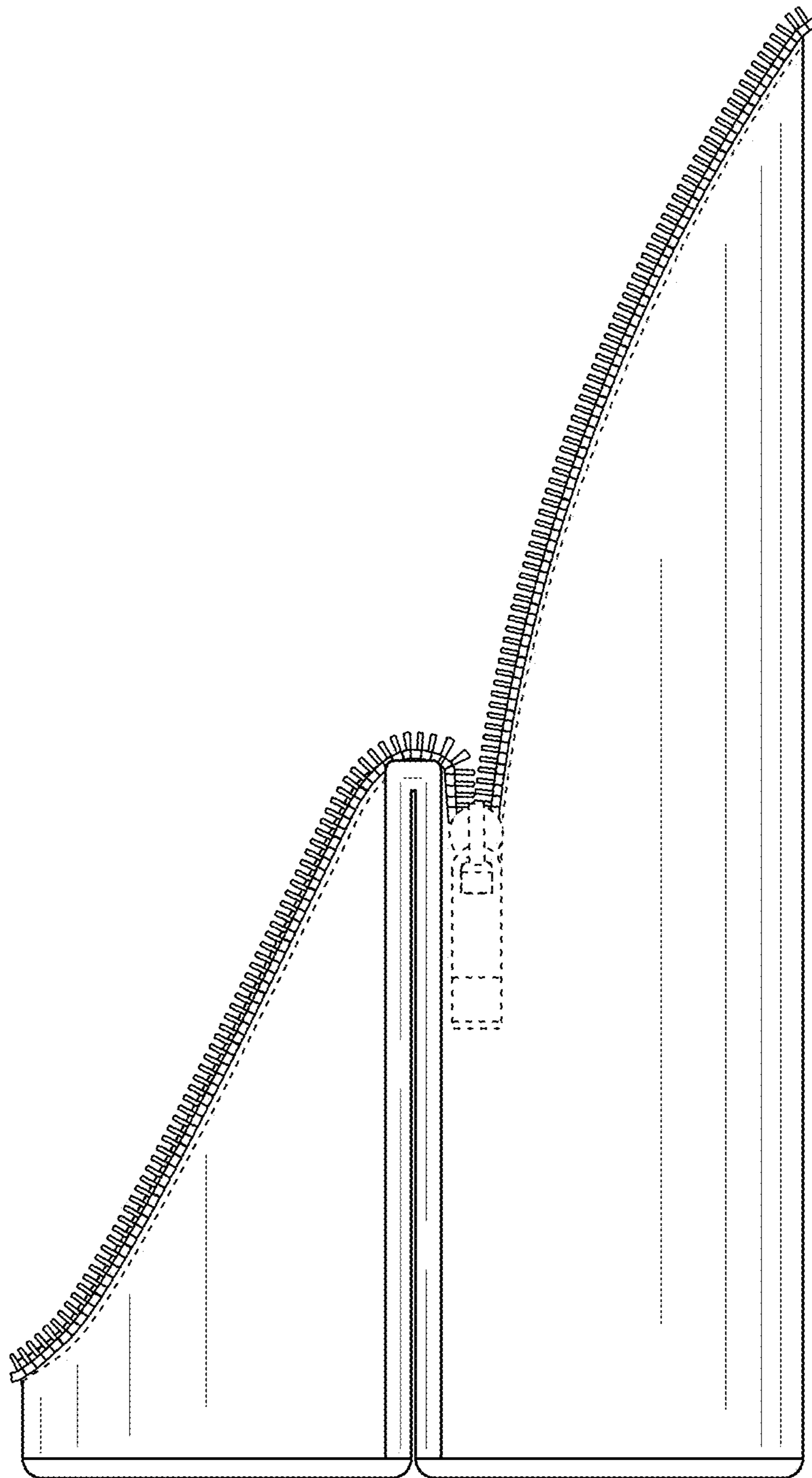


FIG. 10

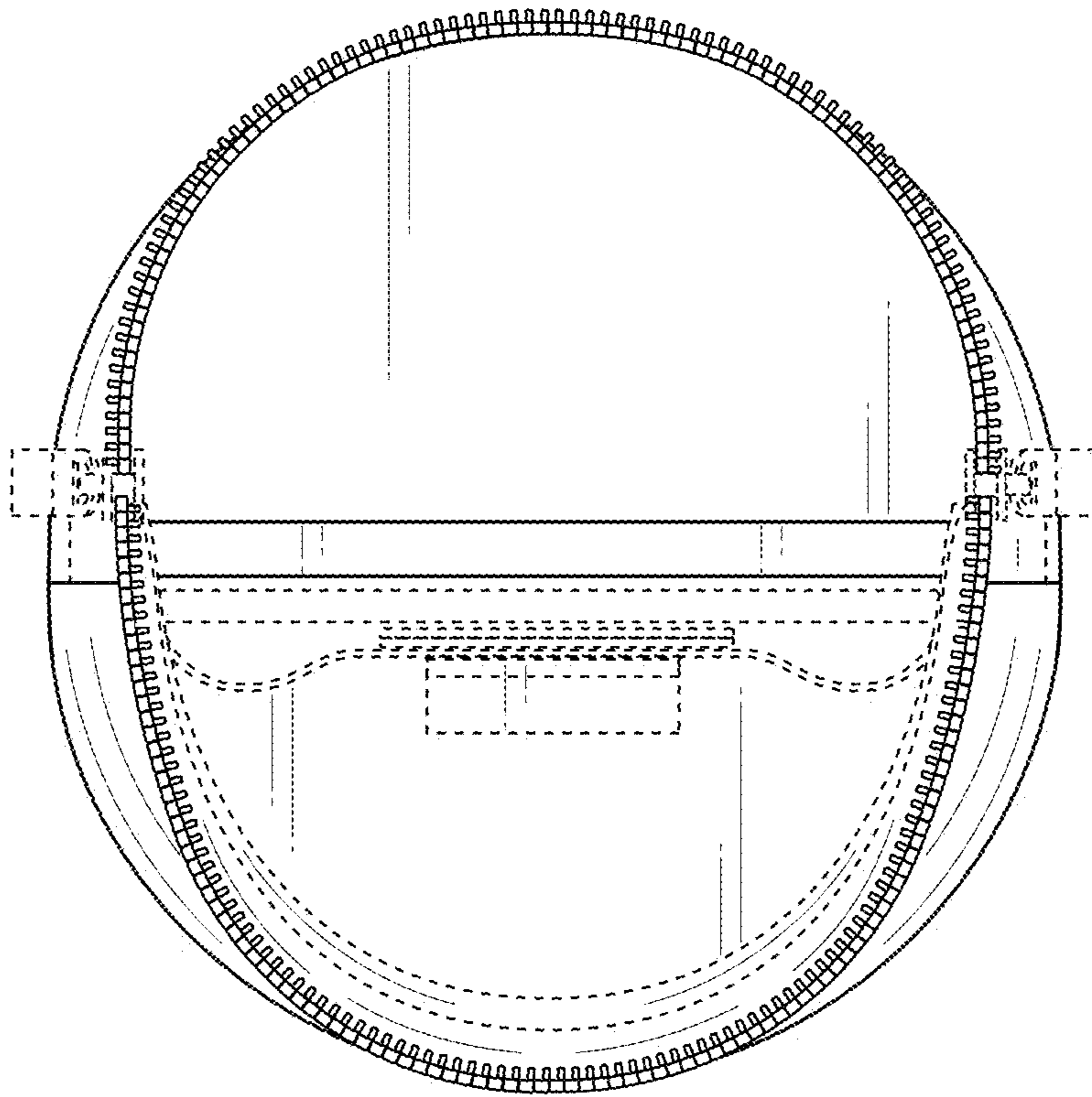


FIG. 11

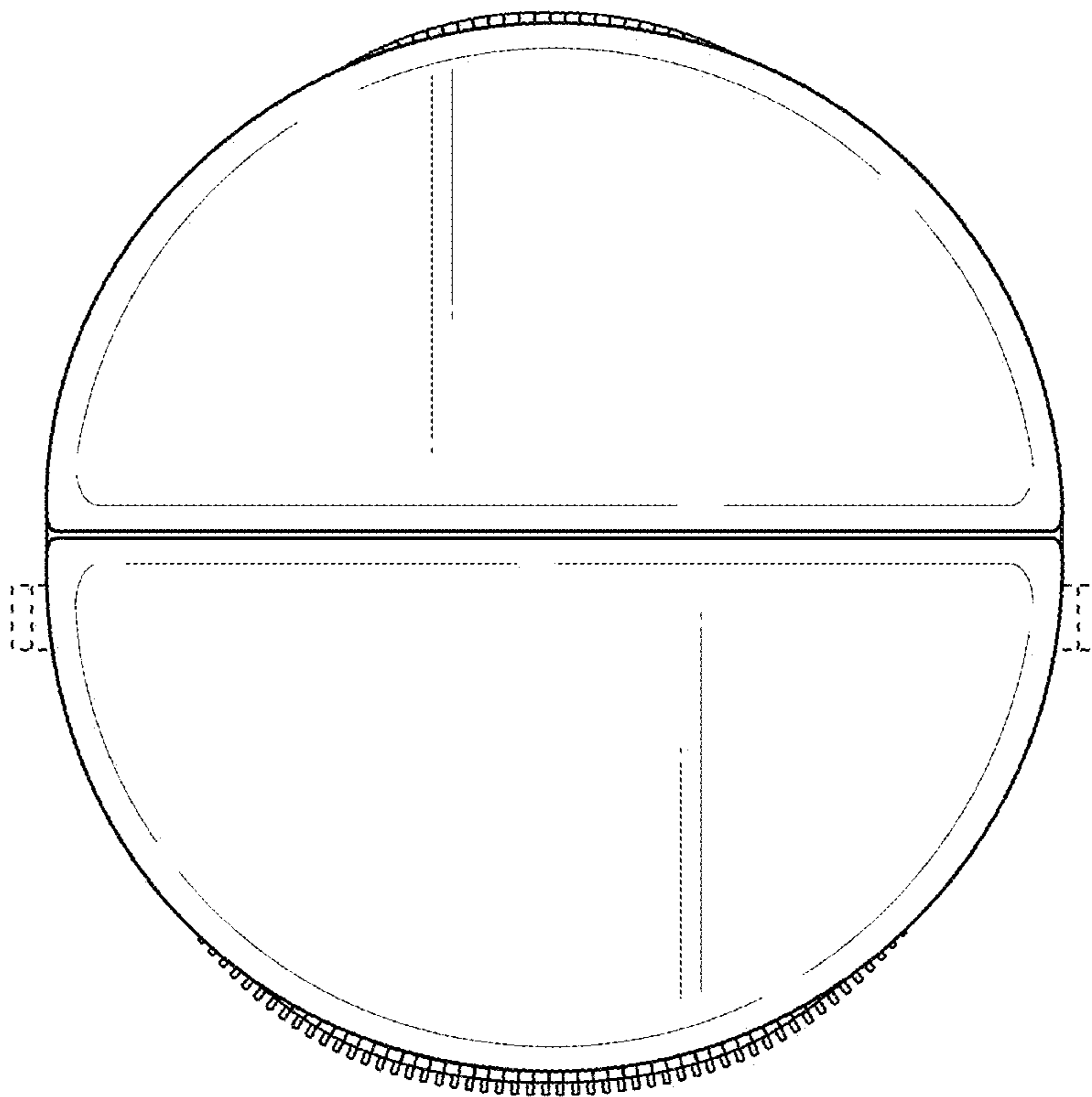


FIG. 12