



US00D874815S

(12) **United States Design Patent** (10) **Patent No.:** **US D874,815 S**
Wells (45) **Date of Patent:** **** Feb. 11, 2020**

(54) **BREAST PUMP BAG**
(71) Applicant: **Sarah Wells, LLC**, Fairfax, VA (US)
(72) Inventor: **Sarah Wells**, Fairfax, VA (US)
(73) Assignee: **Sarah Wells, LLC**, Fairfax, VA (US)
(**) Term: **15 Years**
(21) Appl. No.: **29/668,713**
(22) Filed: **Nov. 1, 2018**
(51) **LOC (12) Cl.** **03-01**
(52) **U.S. Cl.**
USPC **D3/203.1**
(58) **Field of Classification Search**
USPC D3/201, 203.1, 203.6, 216, 232, 233,
D3/239, 245, 246; D7/605, 607
CPC A47J 47/145; A45C 11/20; A45C 1/024;
A45C 3/06; A45C 3/04; A45C 13/06;
A45C 13/08; A45C 13/26; A45C 13/30;
B65D 81/389; B65D 25/18; B65D 25/205
See application file for complete search history.

D759,370 S * 6/2016 Godzich D3/216
D782,817 S * 4/2017 Graves D3/232
D785,325 S * 5/2017 Samrelius D3/246
D800,443 S * 10/2017 Burton D3/203.1
D800,444 S * 10/2017 Burton D3/203.1
9,796,517 B2 * 10/2017 Seiders A45C 11/20
D818,265 S * 5/2018 Hawkes D3/232
D819,966 S * 6/2018 Yu D3/232
D819,967 S * 6/2018 Carter D3/246
D822,985 S * 7/2018 Pos D3/232
D822,987 S * 7/2018 Seiders D3/246
D826,545 S * 8/2018 Brothers D3/201
D826,546 S * 8/2018 Brothers D3/201
D828,112 S * 9/2018 Furneaux D7/607
D830,048 S * 10/2018 McQueeny D3/201
D834,816 S * 12/2018 Spaziani D3/246
D835,949 S * 12/2018 Triska D7/607
D836,334 S * 12/2018 Chung A45C 3/06
D3/243
D840,675 S * 2/2019 Peris D3/203.1

(Continued)

Primary Examiner — Steven J Czyz
(74) Attorney, Agent, or Firm — Seyfarth Shaw LLP

(57) **CLAIM**

The ornamental design for a breast pump bag, as shown and described.

(56) **References Cited**

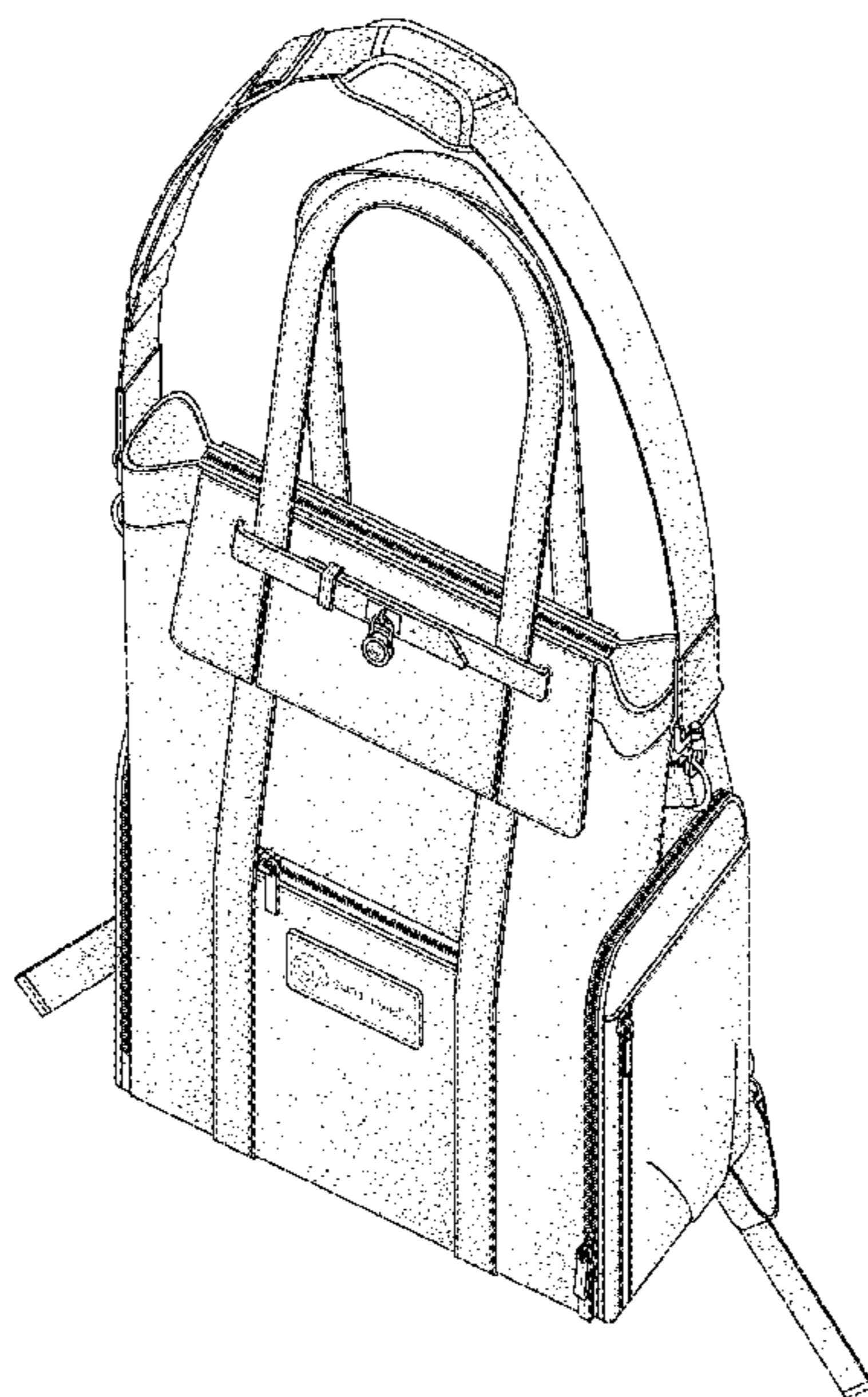
U.S. PATENT DOCUMENTS

D340,840 S * 11/1993 Melk D3/283
D457,307 S * 5/2002 Pukall D3/216
D478,782 S * 8/2003 Li D7/607
D517,800 S * 3/2006 de Baschmakoff D3/216
D535,820 S * 1/2007 Kamiya D3/246
D549,400 S * 8/2007 Gold D3/201
D588,353 S * 3/2009 Khubani D3/201
D695,568 S * 12/2013 Hayes D3/233
D715,544 S * 10/2014 Levine D3/246
D725,900 S * 4/2015 McCue D3/232
D732,348 S * 6/2015 Seiders D3/246
D732,349 S * 6/2015 Seiders D3/246
D732,350 S * 6/2015 Seiders D3/246
D732,899 S * 6/2015 Seiders D3/246

DESCRIPTION

FIG. 1 is a front perspective view of a breast pump bag showing my design;
FIG. 2 is a front view thereof;
FIG. 3 is a rear view thereof;
FIG. 4 is a left-side view thereof;
FIG. 5 is a right-side view thereof;
FIG. 6 is a top view thereof;
FIG. 7 is a bottom view thereof; and,
FIG. 8 is a rear perspective view thereof.
The broken lines depict portions of the article that form no part of the claimed design.

1 Claim, 7 Drawing Sheets



(56)

References Cited

U.S. PATENT DOCUMENTS

D842,048	S	*	3/2019	Wells	D7/607
D845,613	S	*	4/2019	Decker	D3/203.1
D845,614	S	*	4/2019	Decker	D3/203.1
D859,811	S	*	9/2019	Hughes	D3/201
D859,812	S	*	9/2019	Seiders	D3/201
D859,813	S	*	9/2019	Seiders	D3/201
D859,814	S	*	9/2019	Seiders	D3/201
D859,815	S	*	9/2019	Seiders	D3/201
D860,634	S	*	9/2019	Seiders	D3/201
D861,338	S	*	10/2019	Seiders	D3/246
D862,065	S	*	10/2019	Boys	D3/201

* cited by examiner

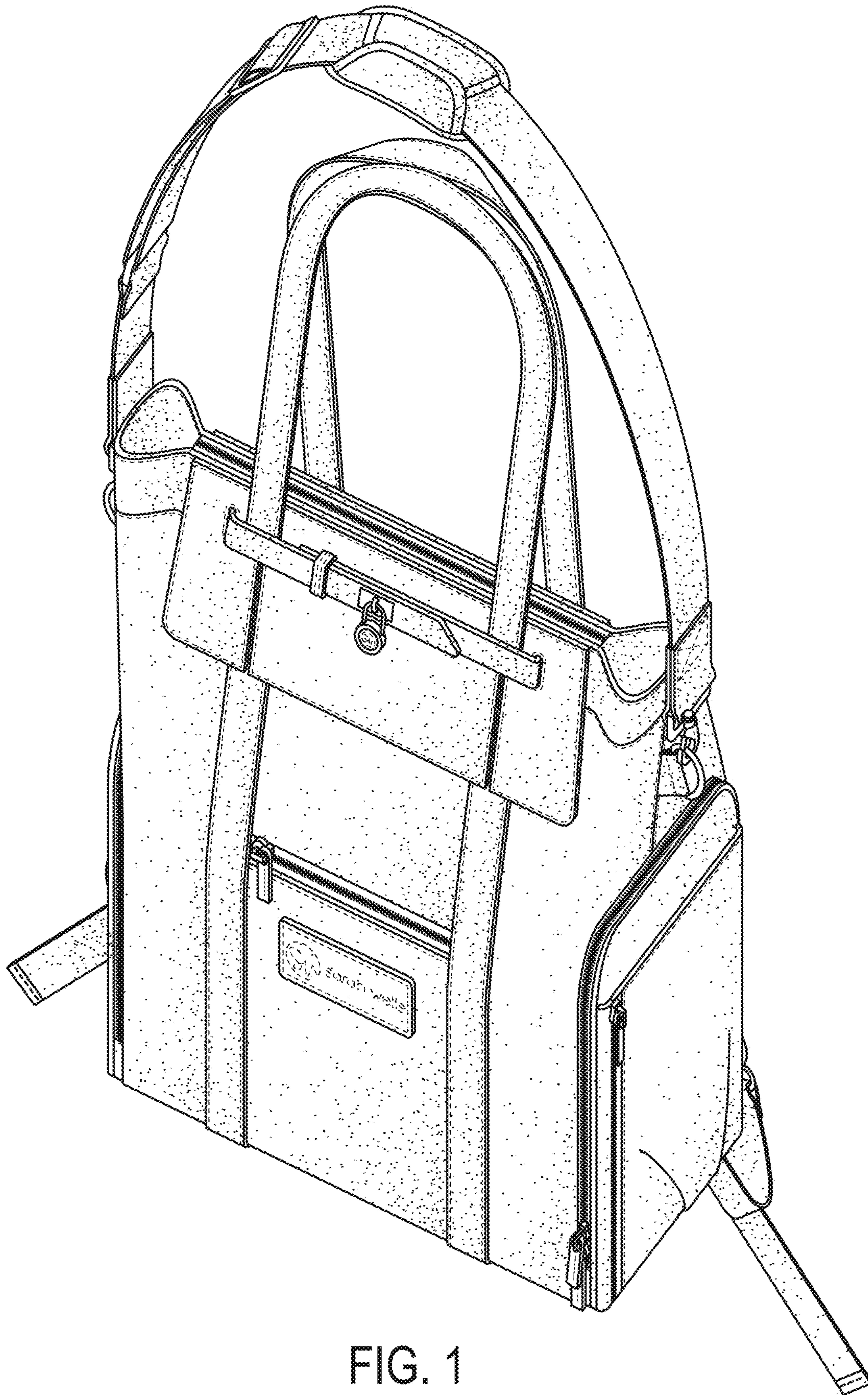


FIG. 1

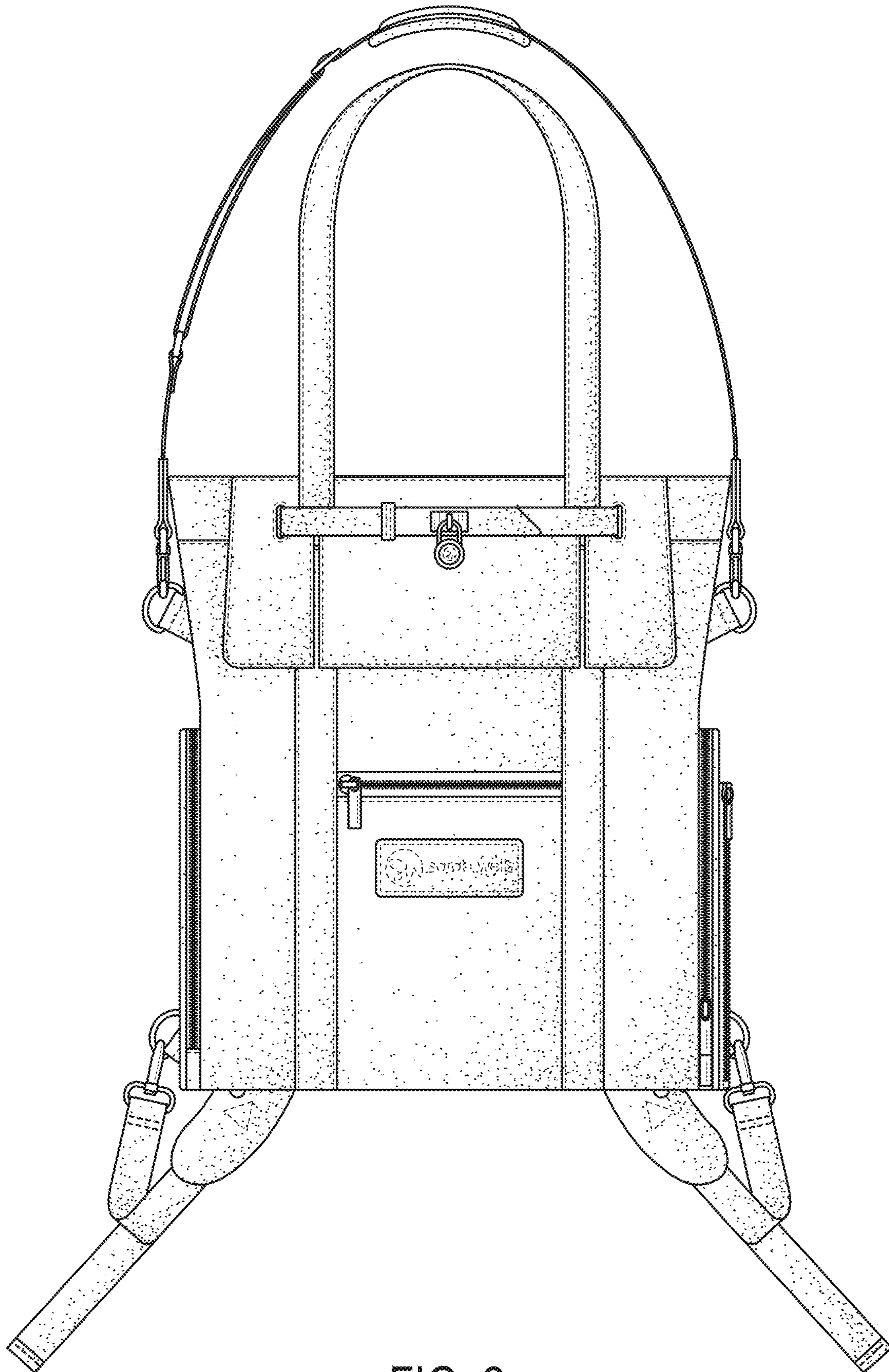


FIG. 2

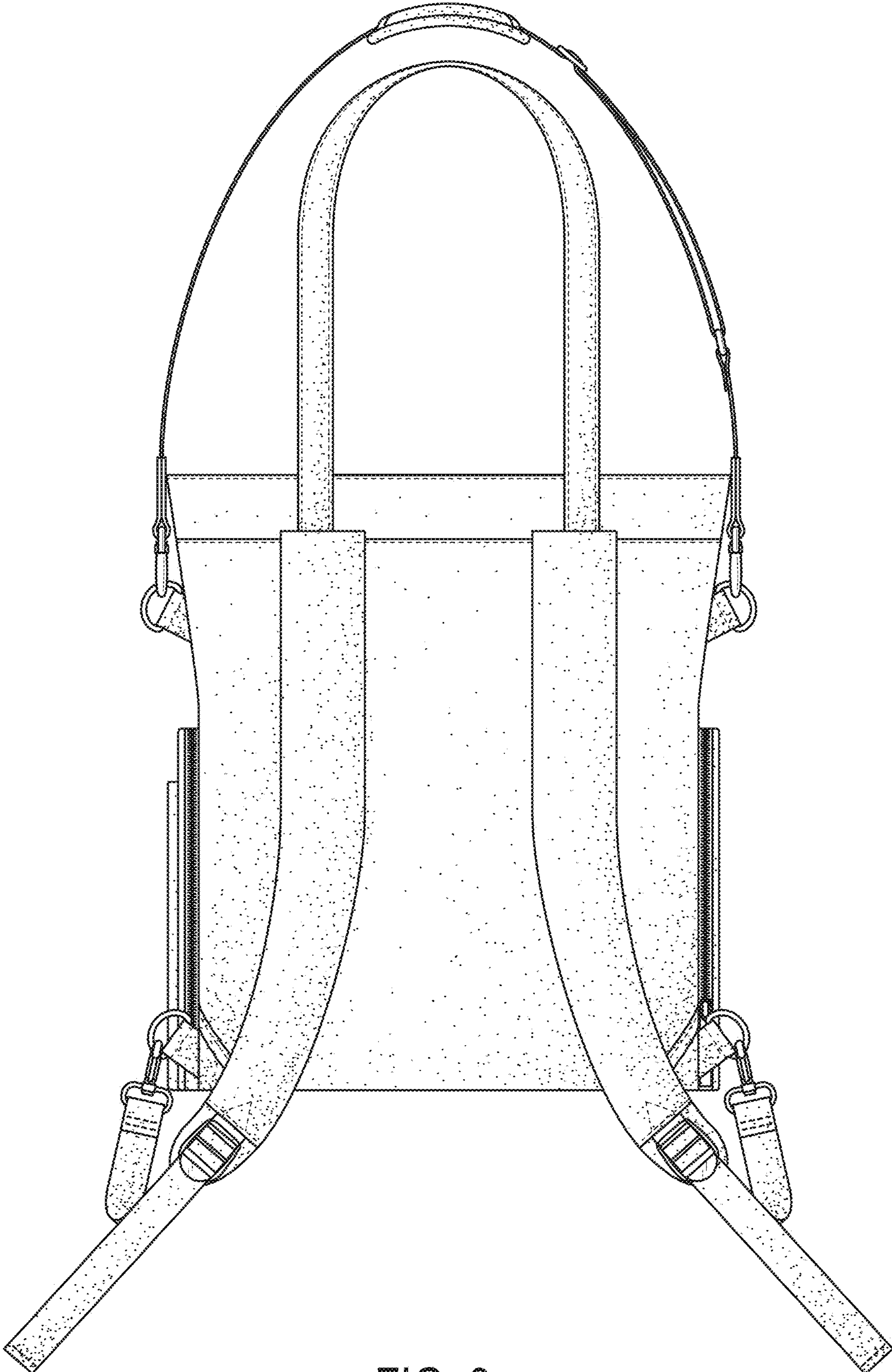


FIG. 3

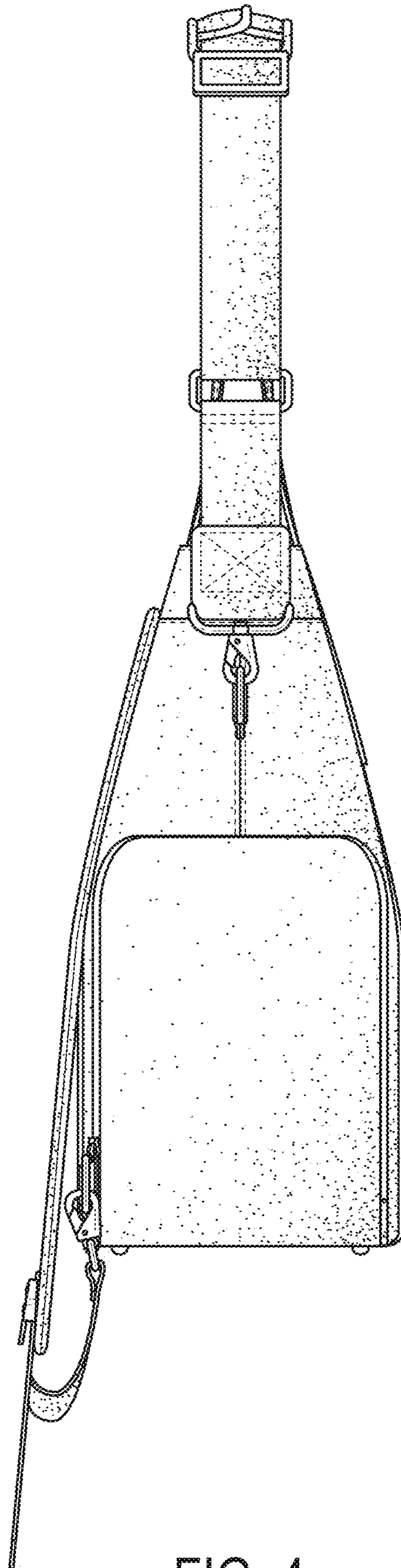


FIG. 4

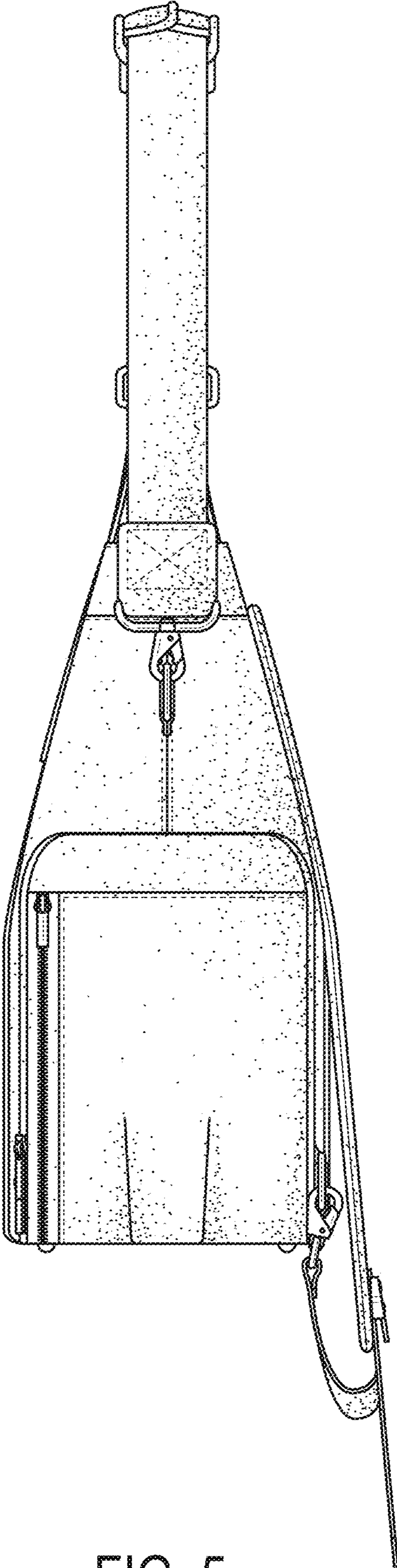


FIG. 5

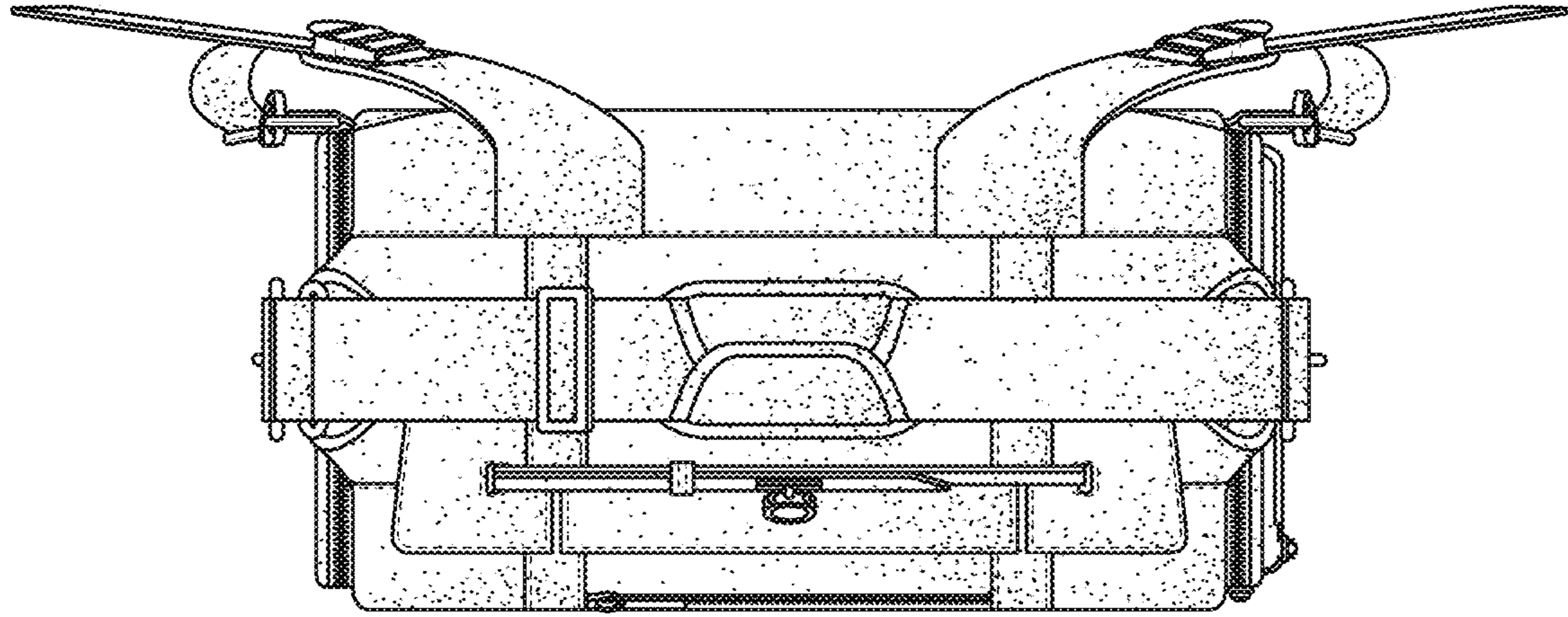


FIG. 6

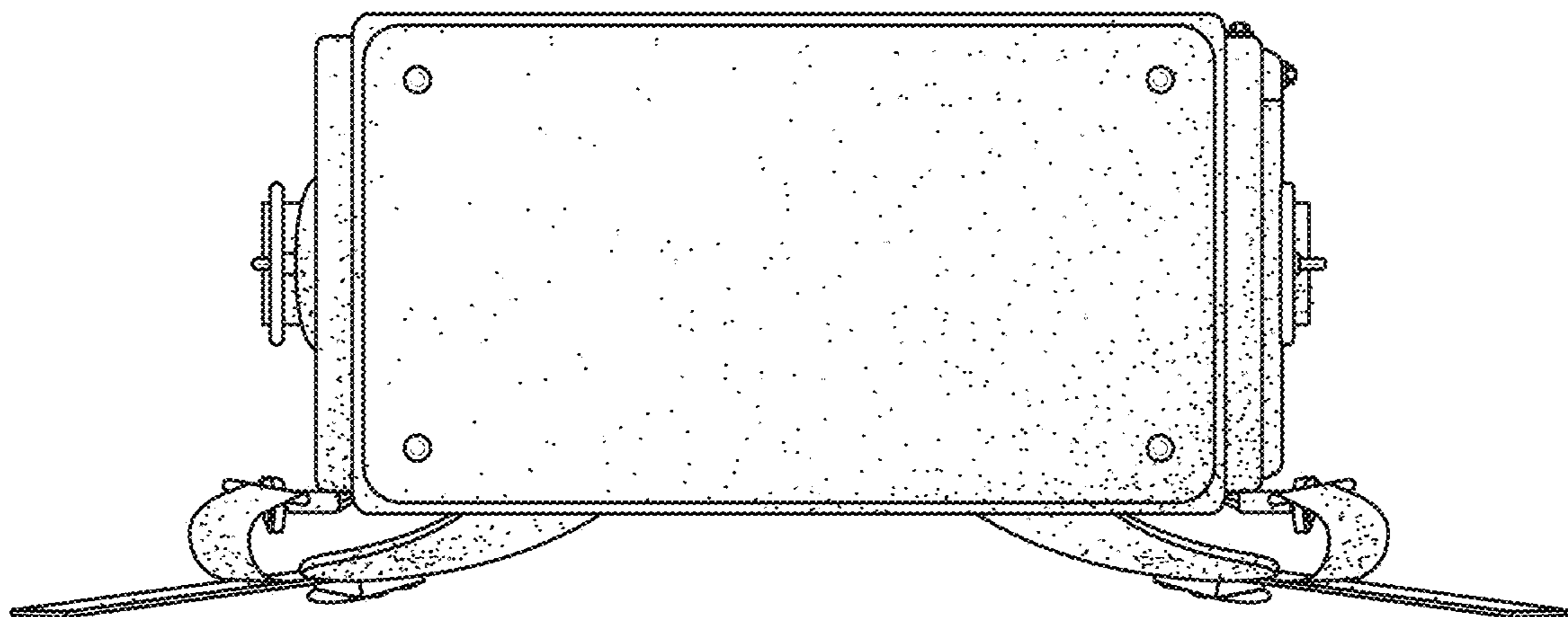


FIG. 7

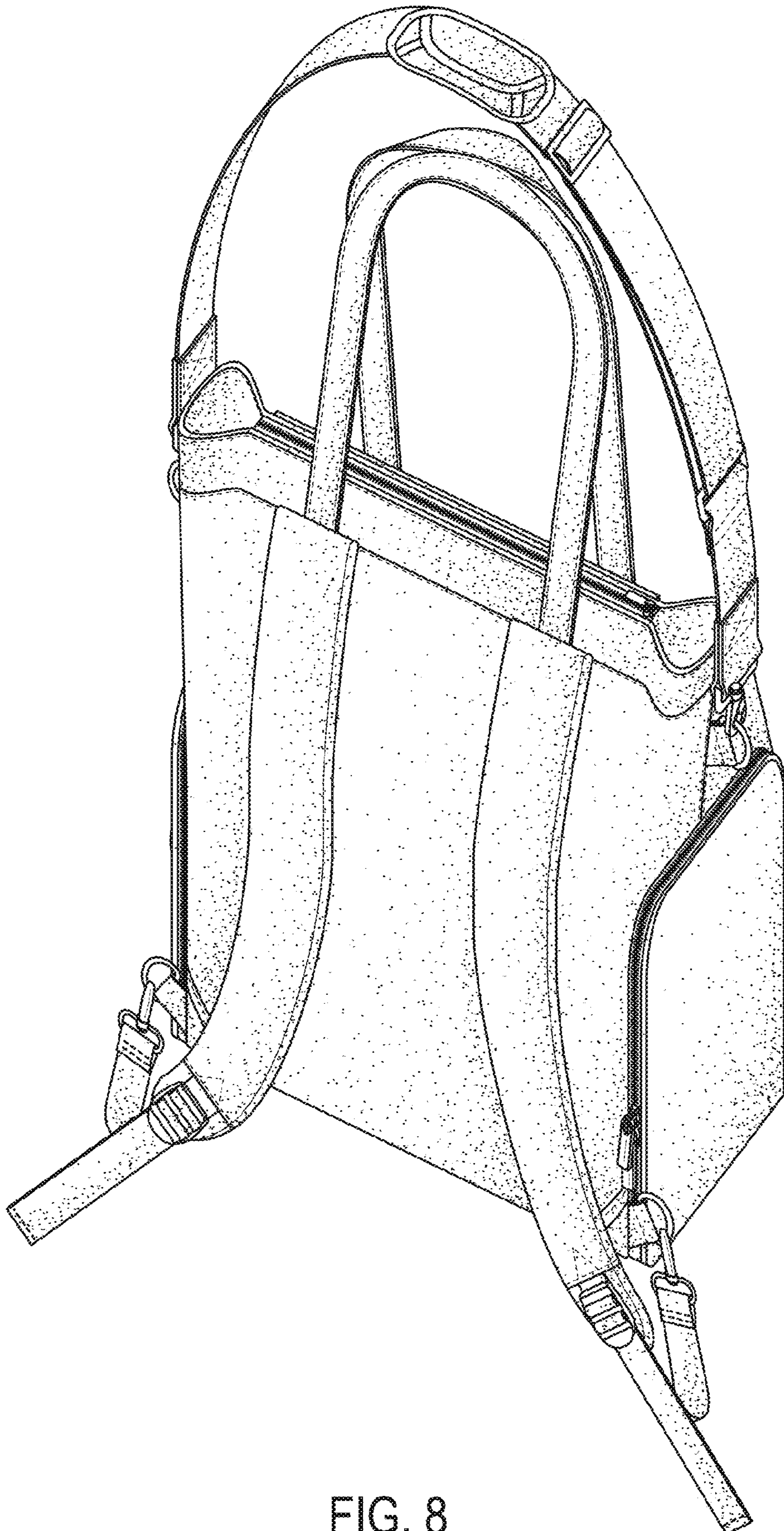


FIG. 8