



US00D874797S

(12) **United States Design Patent** (10) **Patent No.:** **US D874,797 S**
Fongher et al. (45) **Date of Patent:** **** Feb. 11, 2020**

(54) **FOOTWEAR**

(71) Applicant: **CROCS, INC.**, Niwot, CO (US)

(72) Inventors: **Federico Fongher**, Villatora di Saonara (IT); **Stefano Del Biondi**, Noventa Padovana (IT)

(73) Assignee: **CROCS, INC.**, Niwot, CO (US)

(**) Term: **15 Years**

(21) Appl. No.: **29/631,272**

(22) Filed: **Dec. 28, 2017**

(51) **LOC (12) Cl.** **02-04**

(52) **U.S. Cl.**
USPC **D2/923**

(58) **Field of Classification Search**
USPC D2/896, 900, 916, 917, 923, 943, 946,
D2/969, 972, 976; 36/45, 8, 100, 88,
36/102, 112, 113, 3 A, 3 R, 7.4, 11.5, 4,
36/87, 7.5, 25 R
CPC A43B 1/0081; A43B 1/14; A43B 3/0042;
A43B 7/06; A43B 7/08
See application file for complete search history.

(56) **References Cited**

U.S. PATENT DOCUMENTS

6,993,858 B2	2/2006	Seamans	
D517,789 S	3/2006	Seamans	
D525,419 S	7/2006	Seamans	
D529,263 S *	10/2006	Wolf	D2/923
7,146,751 B2	12/2006	Seamans	
D535,088 S	1/2007	Seamans	
D543,341 S	5/2007	Seamans	
D545,032 S *	6/2007	Wolf	D2/923
D564,205 S	3/2008	Seamans	
D564,207 S	3/2008	Seamans	
D567,481 S *	4/2008	Hoyt	D2/896
D567,482 S *	4/2008	Hoyt	D2/896
D567,483 S *	4/2008	Liow	D2/896

D610,784 S	3/2010	Del Biondi	
D632,465 S	2/2011	del Biondi et al.	
D637,382 S *	5/2011	Bathum	D2/923
D642,773 S *	8/2011	Liow	D2/896
D645,235 S *	9/2011	Carroll	D2/923
D648,105 S *	11/2011	Schlageter	D2/923
D648,512 S *	11/2011	Schlageter	D2/896
D650,157 S *	12/2011	Liow	D2/923
D667,612 S	9/2012	Del Biondi et al.	
D689,677 S	9/2013	Bathum et al.	
D691,351 S	10/2013	Pugazhenth	
D698,131 S	1/2014	Del Biondi et al.	

(Continued)

OTHER PUBLICATIONS

U.S. Appl. No. 29/590,023, filed Jan. 6, 2017.
U.S. Appl. No. 29/621,537, filed Oct. 9, 2017.

Primary Examiner — Elizabeth J Oswecki

(74) *Attorney, Agent, or Firm* — Wilmer Cutler Pickering Hale and Dorr LLP

(57) **CLAIM**

The ornamental design for footwear, as shown and described.

DESCRIPTION

FIG. 1 is a front perspective view of footwear showing our new design;

FIG. 2 is a front view thereof;

FIG. 3 is a back view thereof;

FIG. 4 is an outer side view thereof;

FIG. 5 is an inner side view thereof;

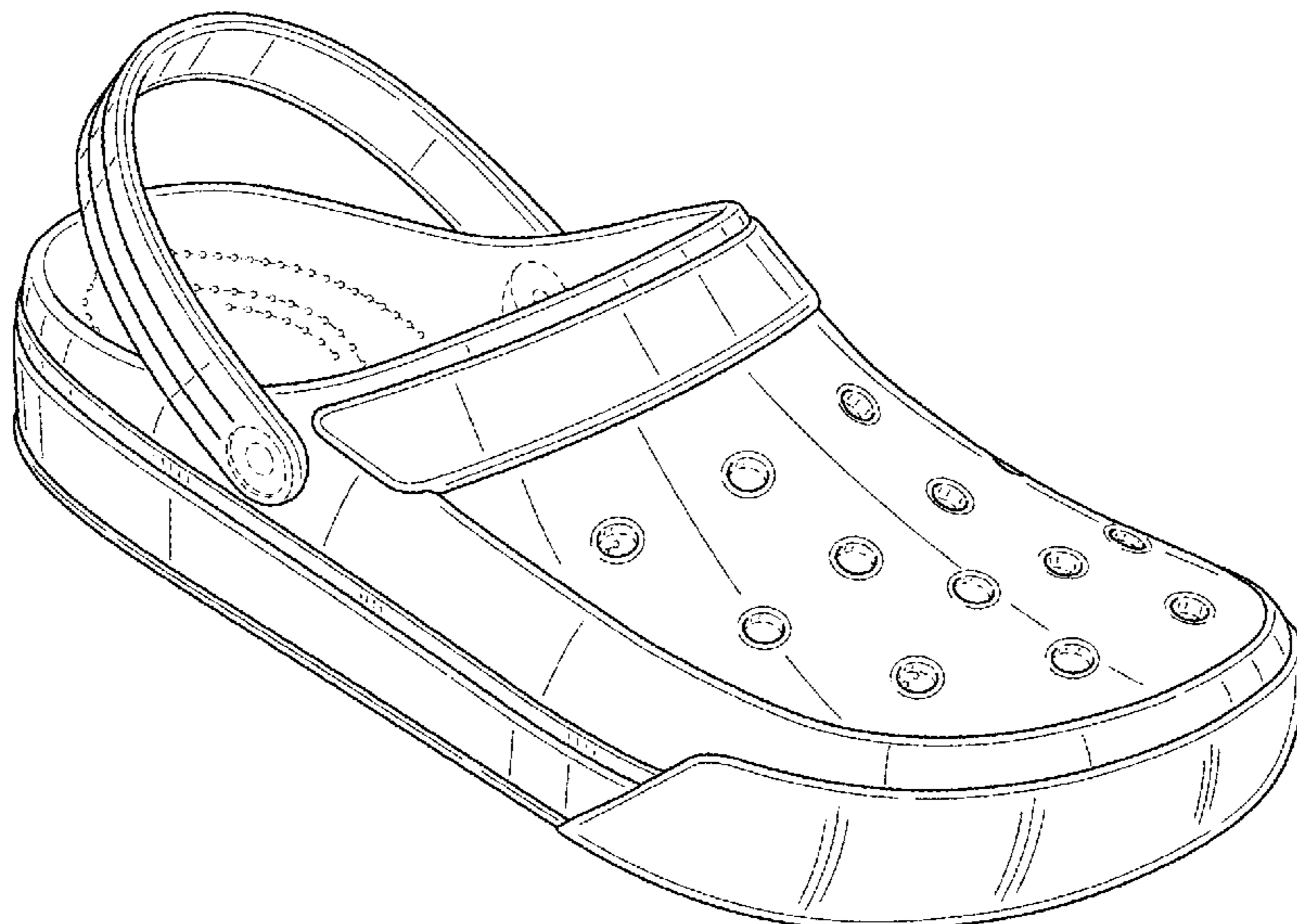
FIG. 6 is a top view thereof; and,

FIG. 7 is a bottom view thereof.

The portions shown in dashed lines form no part of the claimed design.

The five circles shown in the top view of FIG. 6 appear as solid circles because horizon lines converge in the center of the circle to appear solid from the top view.

1 Claim, 7 Drawing Sheets



(56)

References Cited

U.S. PATENT DOCUMENTS

D698,133	S *	1/2014	Callegarini	D2/896
D698,531	S	2/2014	Lock et al.	
D708,826	S	7/2014	Fongher et al.	
D709,677	S *	7/2014	del Biondi	D2/923
D726,397	S	4/2015	Del Biondi et al.	
D732,808	S	6/2015	Del Biondi et al.	
D739,125	S	9/2015	Chanthavong	
D747,079	S *	1/2016	Carroll	D2/923
D762,953	S	8/2016	Del Biondi et al.	
D764,153	S	8/2016	Engerman	
D768,364	S *	10/2016	Chanthavong	D2/923
D771,917	S	11/2016	Del Biondi et al.	
D772,543	S *	11/2016	Laska	D2/923
D787,789	S	5/2017	Del Biondi et al.	
D801,011	S	10/2017	Del Biondi et al.	
D809,753	S *	2/2018	Carroll	D2/923
D833,124	S *	11/2018	Laska	D2/916
2004/0231189	A1 *	11/2004	Seamans	A43B 1/0081 36/3 A
2004/0231190	A1 *	11/2004	Seamans	A43B 1/0081 36/11.5
2008/0313929	A1 *	12/2008	Hoyt	A43B 1/10 36/105

* cited by examiner

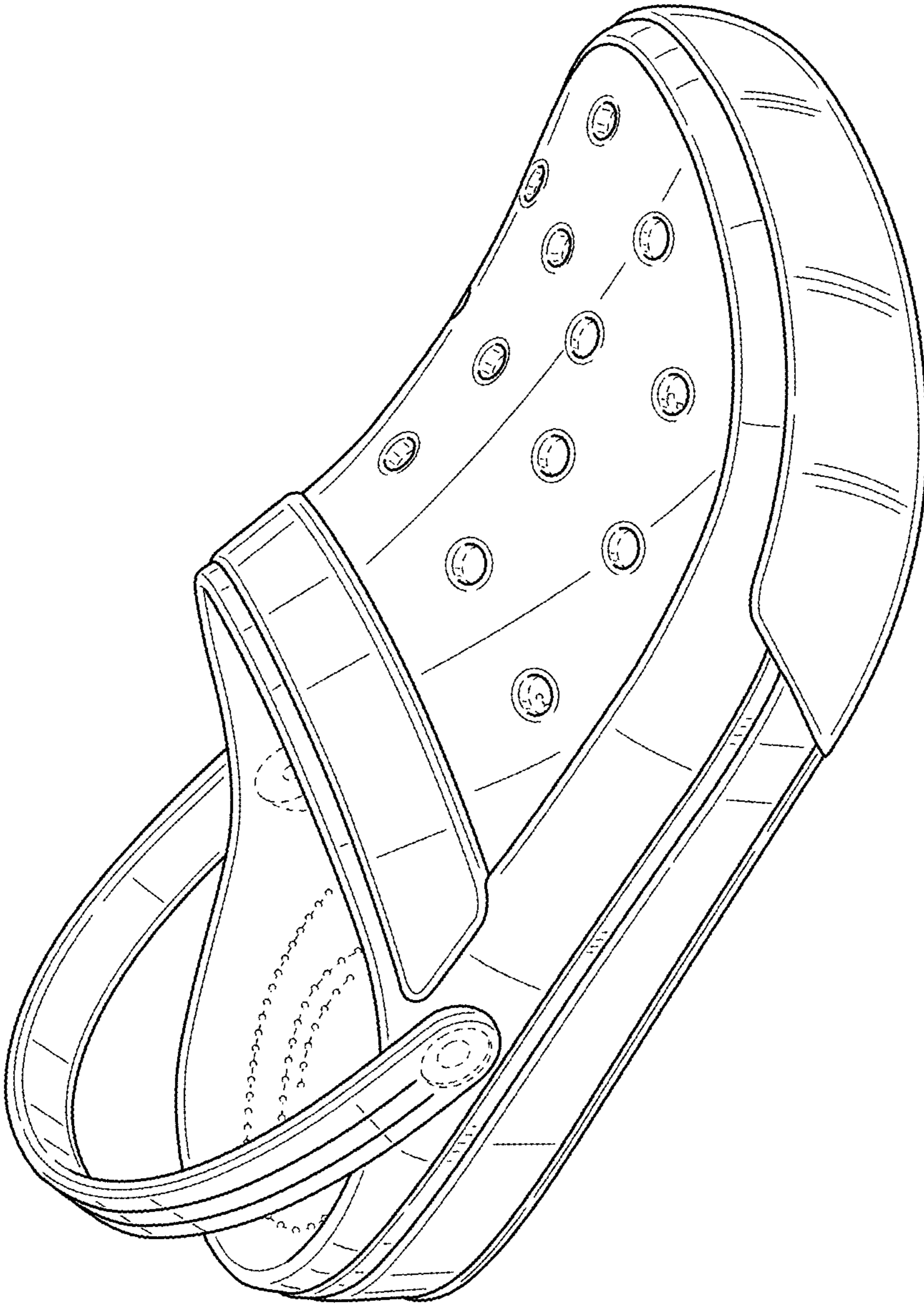


FIG.1

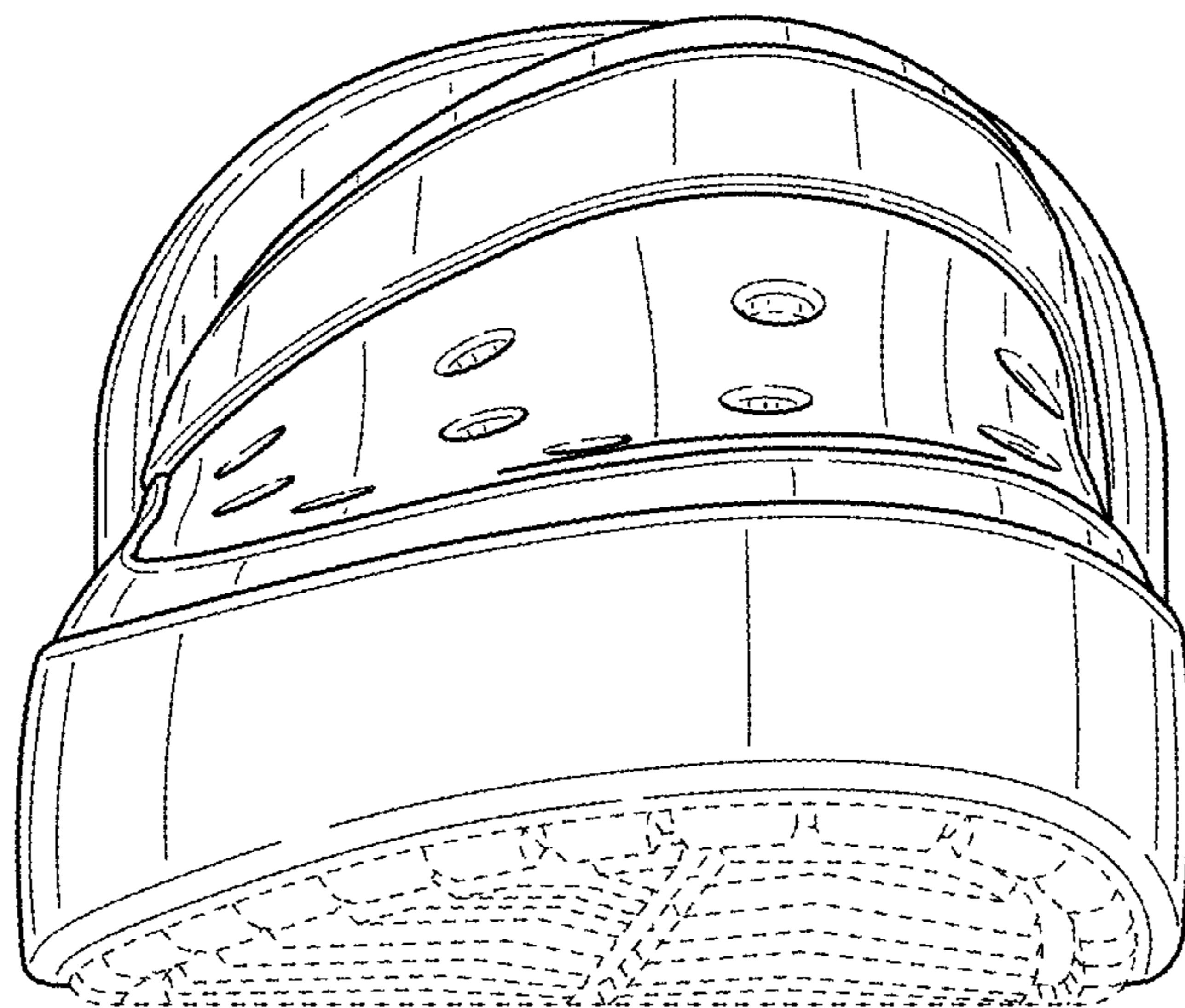


FIG.2

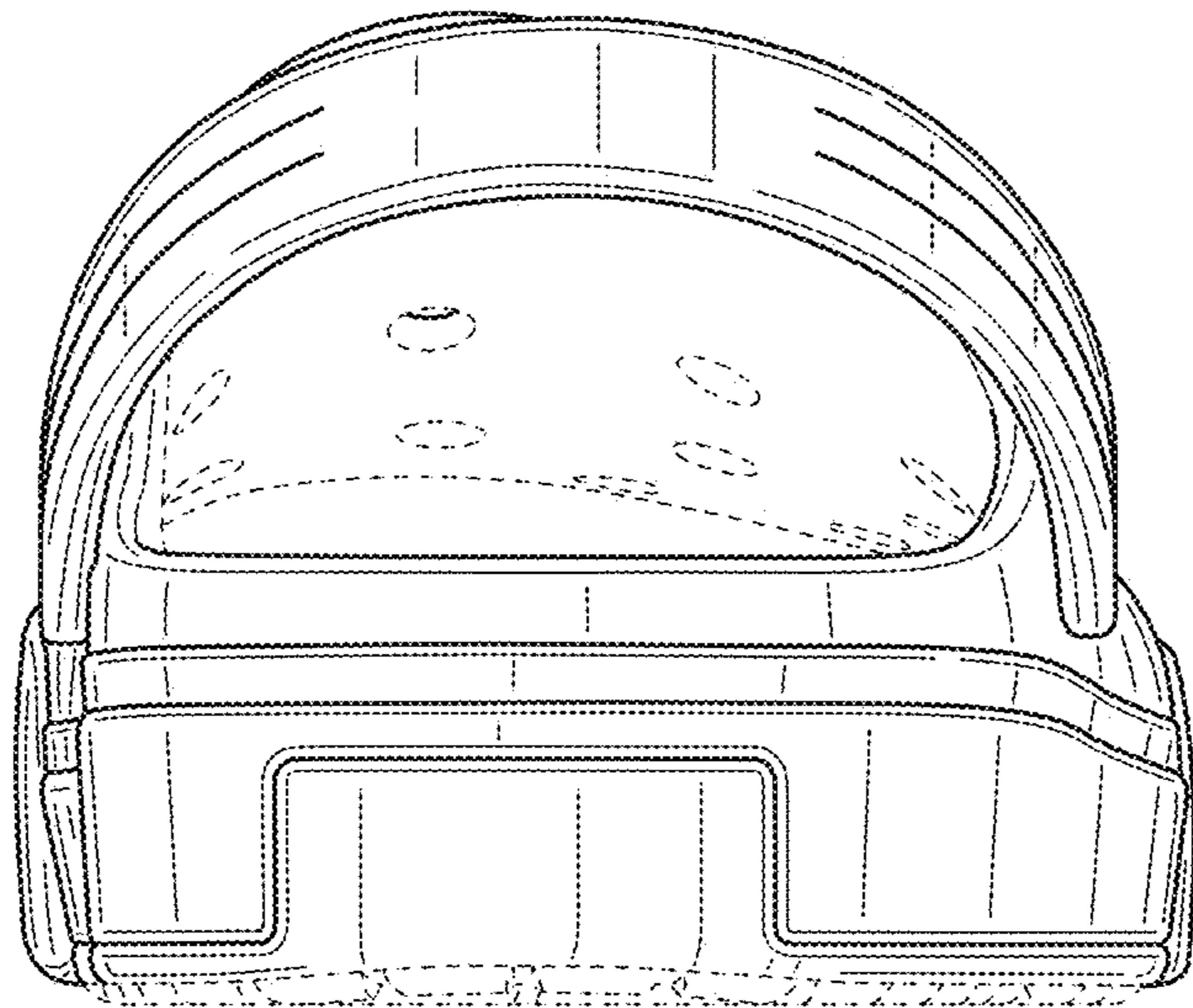


FIG.3

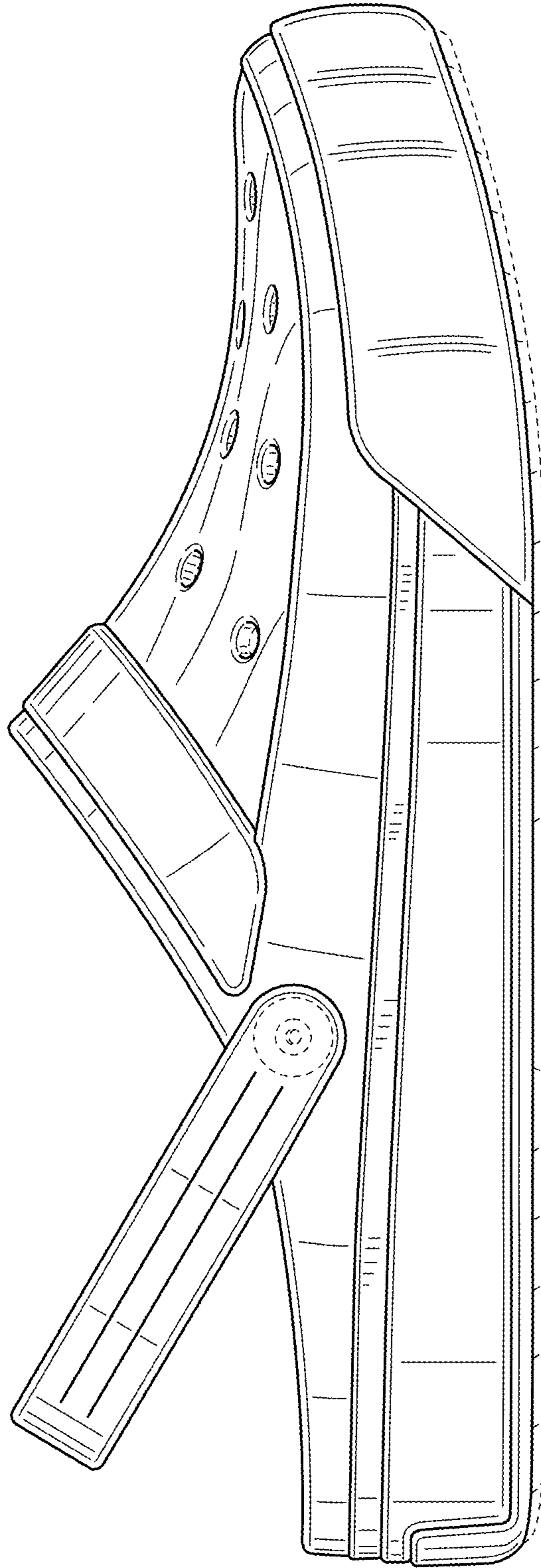


FIG.4

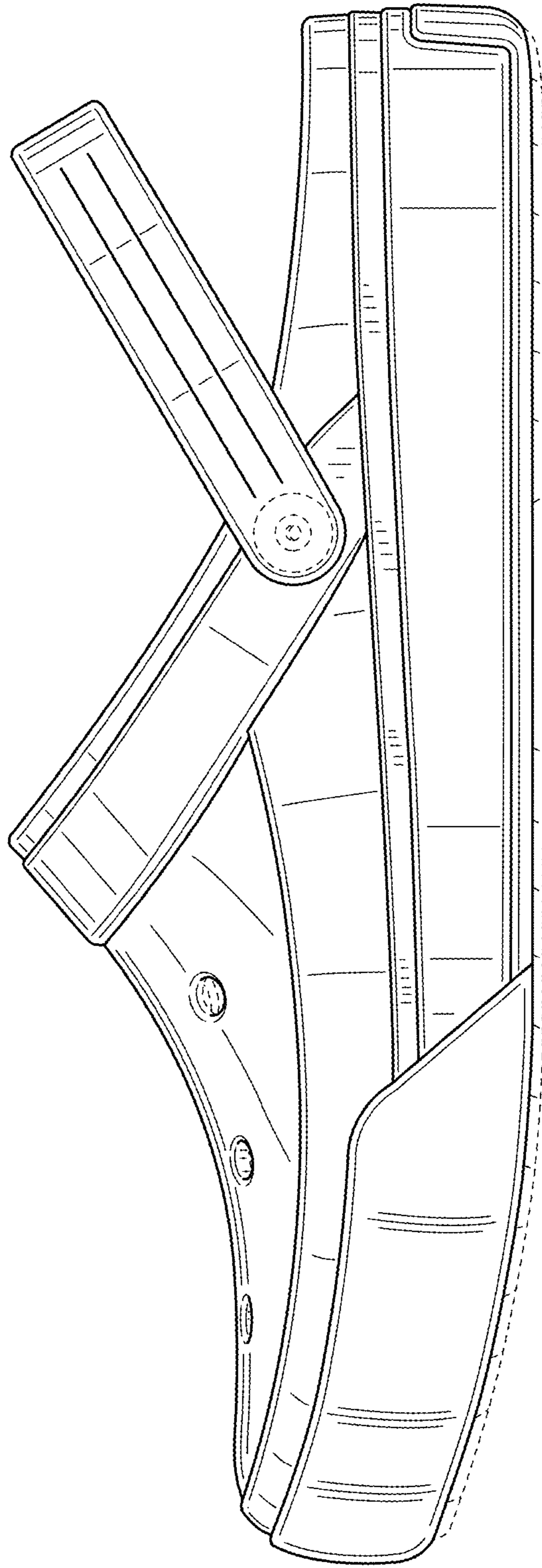


FIG.5

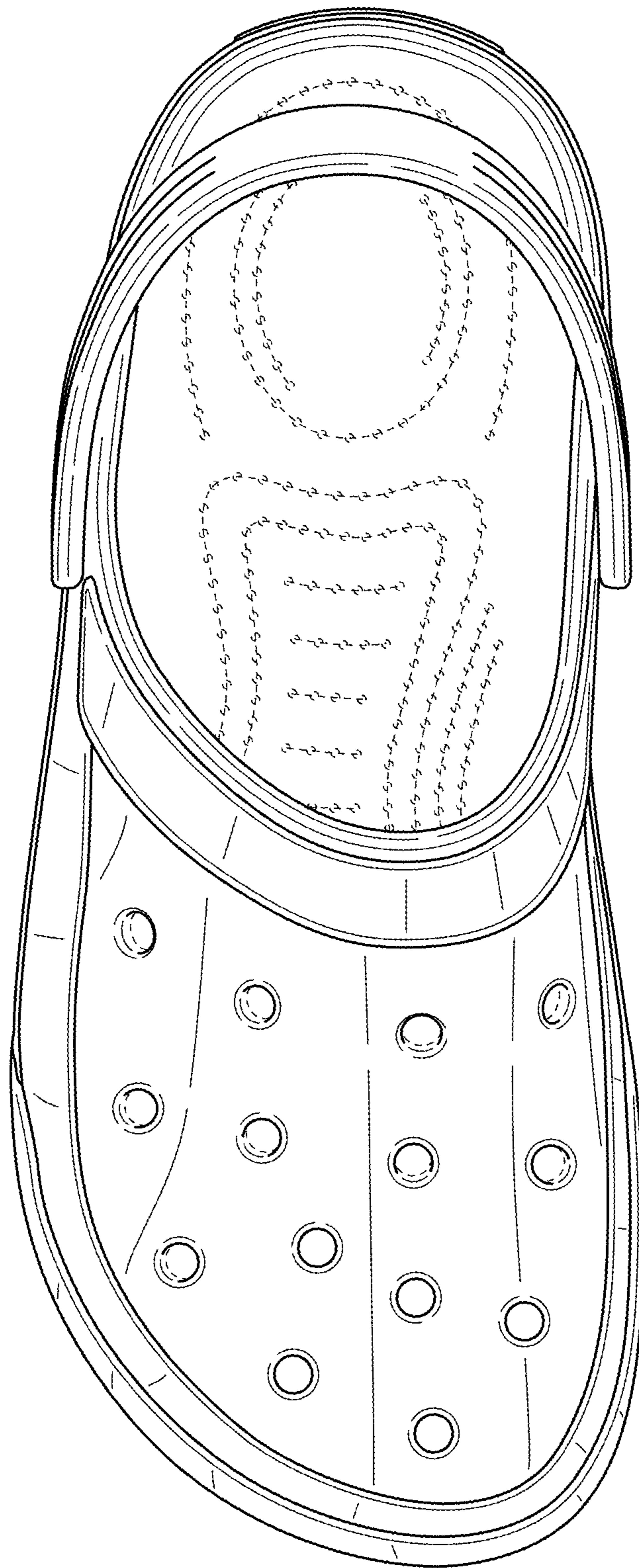


FIG.6

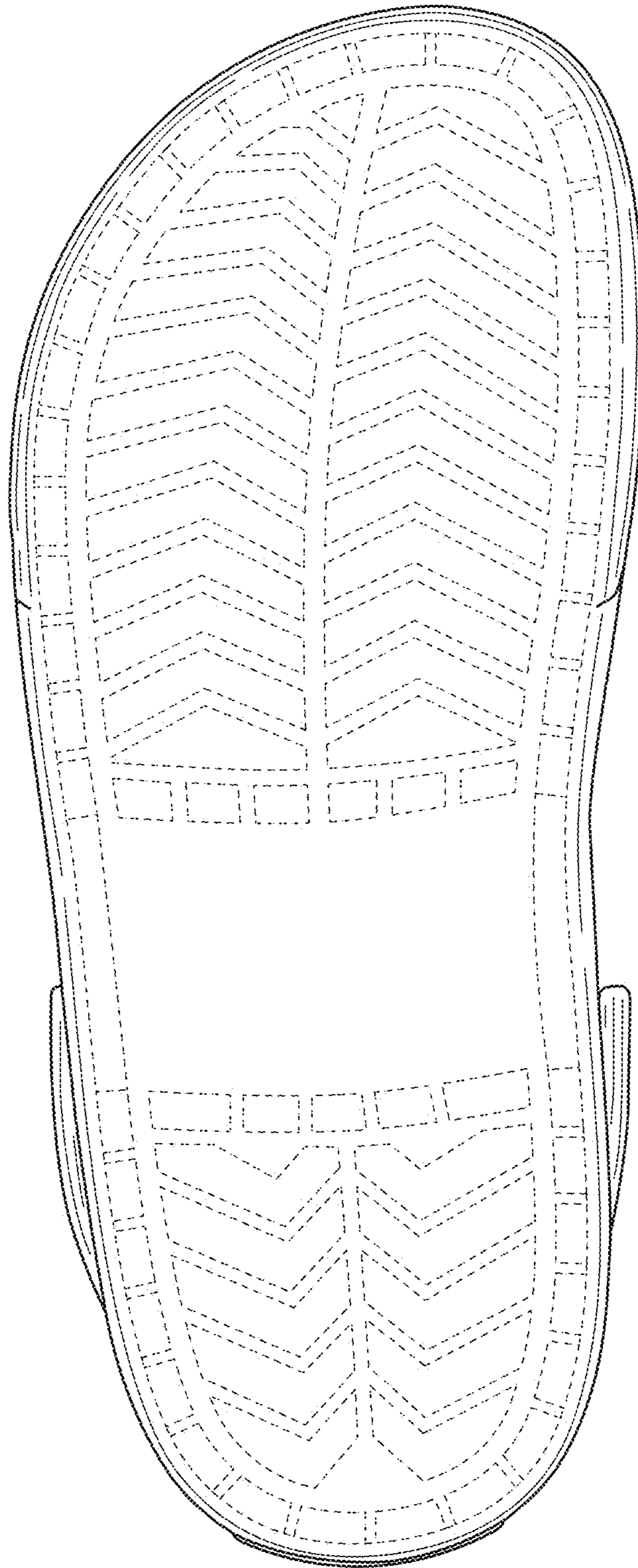


FIG. 7