



US00D874794S

(12) **United States Design Patent** (10) **Patent No.:** **US D874,794 S**  
**Patel** (45) **Date of Patent:** **\*\* Feb. 11, 2020**

(54) **STRAP OVERLAY FOR ARTICLE OF HEADWEAR**

(71) Applicant: **Nimesh Patel**, Franklin Park, NJ (US)

(72) Inventor: **Nimesh Patel**, Franklin Park, NJ (US)

(\*\*) Term: **15 Years**

(21) Appl. No.: **29/689,867**

(22) Filed: **May 2, 2019**

**Related U.S. Application Data**

(62) Division of application No. 29/596,012, filed on Mar. 3, 2017, now Pat. No. Des. 852,467.

(51) **LOC (12) Cl.** ..... **02-03**

(52) **U.S. Cl.**  
USPC ..... **D2/891**

(58) **Field of Classification Search**  
USPC ..... D2/865, 866, 869, 872, 874, 877, 880,  
D2/881, 895, 999

CPC ..... A42B 1/00; A42B 1/002; A42B 1/004;  
A42B 1/006; A42B 1/02; A42B 1/062;  
A42B 1/064; A42B 1/205; A42B 1/22;  
A42B 1/24; A42B 7/00; A42C 5/00

See application file for complete search history.

(56) **References Cited**

**U.S. PATENT DOCUMENTS**

- D103,889 S \* 3/1937 Issy ..... D2/894
- D372,100 S \* 7/1996 Slater ..... D24/191
- D375,827 S \* 11/1996 Will ..... D2/891
- 5,652,959 A \* 8/1997 Proctor ..... A42B 1/004  
132/319
- D396,938 S \* 8/1998 Bugatti ..... D2/639

- D605,381 S \* 12/2009 Mastrantonio ..... D2/891
- D675,812 S \* 2/2013 Richards ..... D2/882
- D757,402 S \* 5/2016 White ..... D2/891
- D770,733 S \* 11/2016 Hwang ..... D2/891
- D771,914 S \* 11/2016 Cho ..... D2/891
- D852,467 S \* 7/2019 Patel ..... D2/891
- D852,468 S \* 7/2019 Patel ..... D2/891

\* cited by examiner

*Primary Examiner* — Karen S Acker

*Assistant Examiner* — Jasmine Mlinarcik

(74) *Attorney, Agent, or Firm* — Gearhart Law, LLC

(57) **CLAIM**

The ornamental design for a strap overlay for an article of headwear, as shown and described.

**DESCRIPTION**

FIG. 1 is a perspective view of a strap overlay for an article of headwear.

FIG. 2 is a front view thereof.

FIG. 3 is a back view thereof, with a fabric adhered thereto.

FIG. 4 is a right side view thereof.

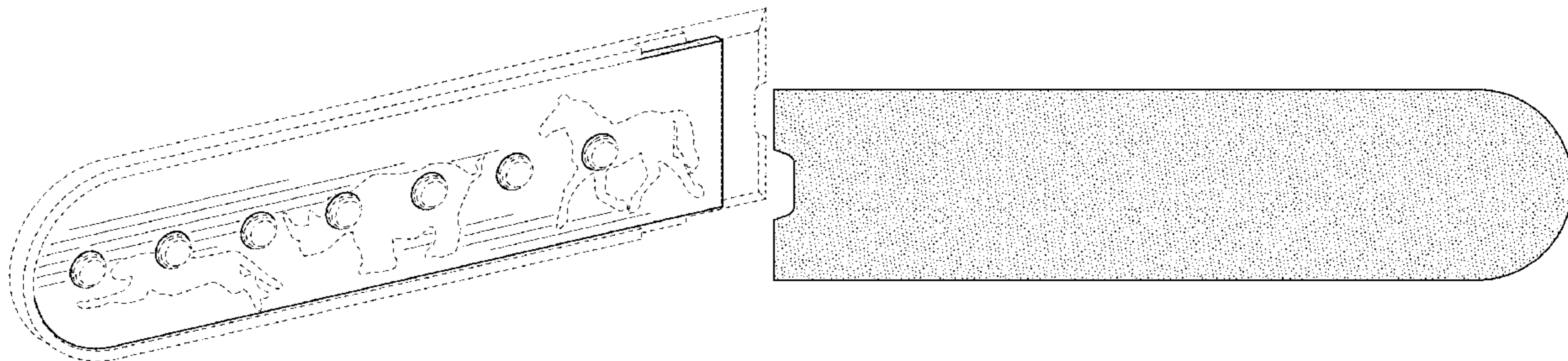
FIG. 5 is a left side view thereof.

FIG. 6 is a top plan view thereof; and,

FIG. 7 is a bottom plan view thereof.

The broken lines outside of the claimed boundary form the environmental structure of the strap overlay for article of headwear which forms no part of the claimed design. The broken lines shown inside of the claimed boundary illustrate an exemplary printed design on the strap overlay for article of headwear that forms no part of the claimed design.

**1 Claim, 2 Drawing Sheets**



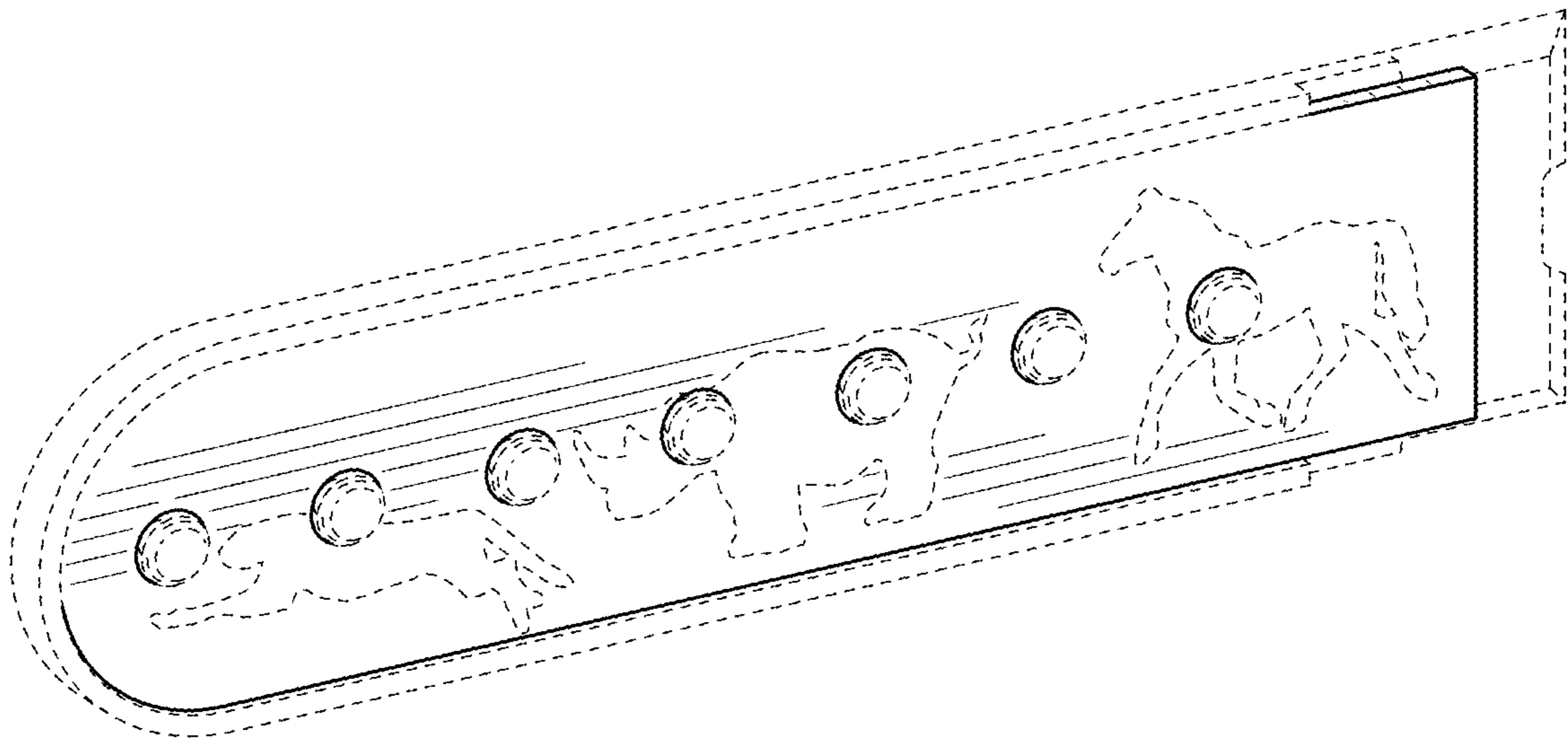


FIG. 1

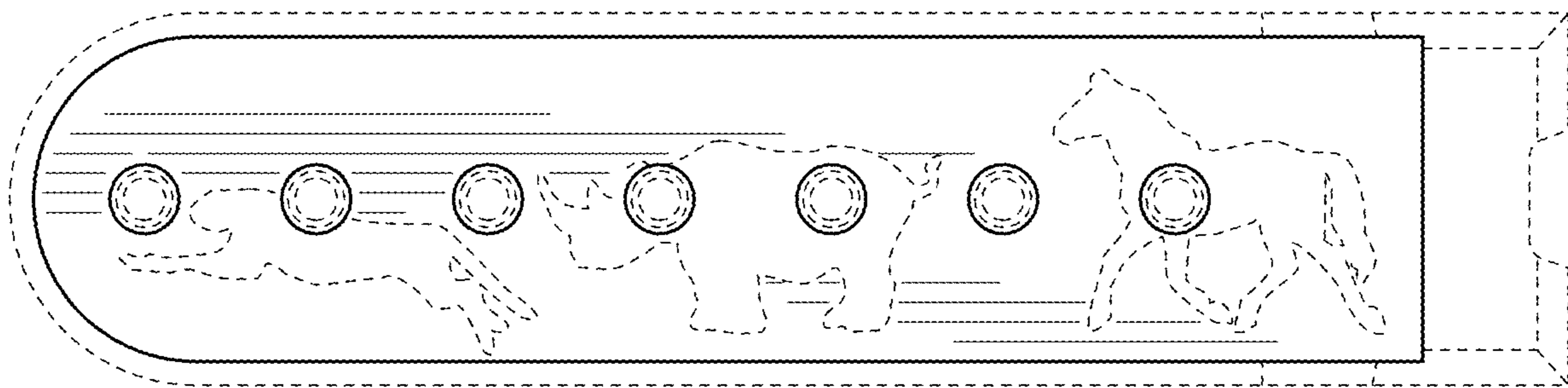


FIG. 2

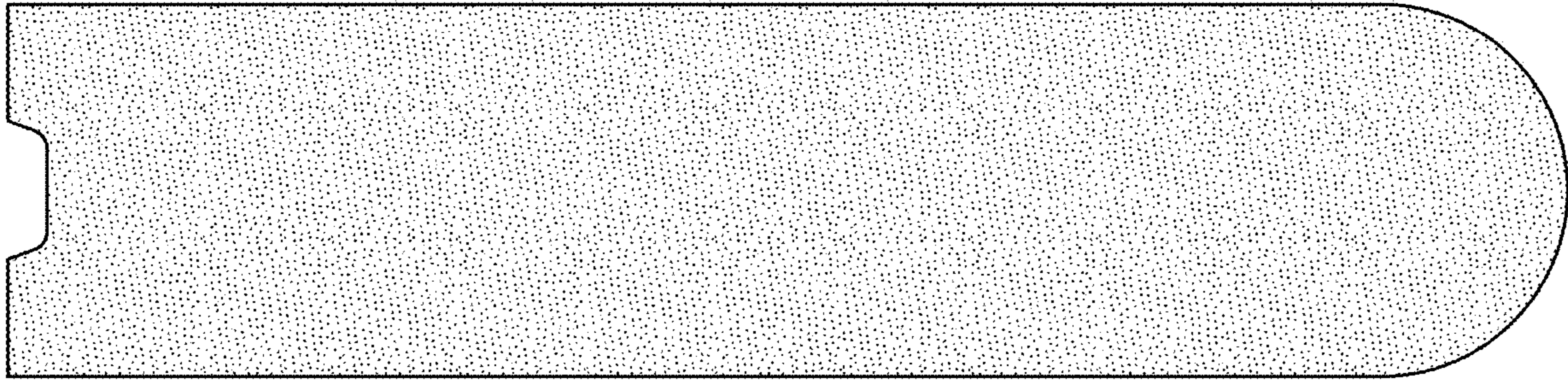


FIG. 3

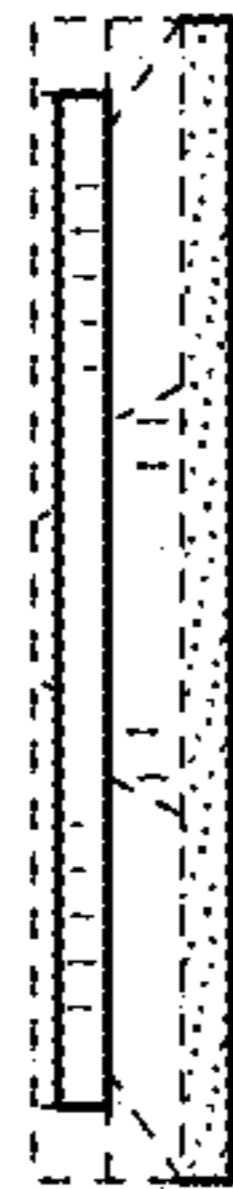


FIG. 4

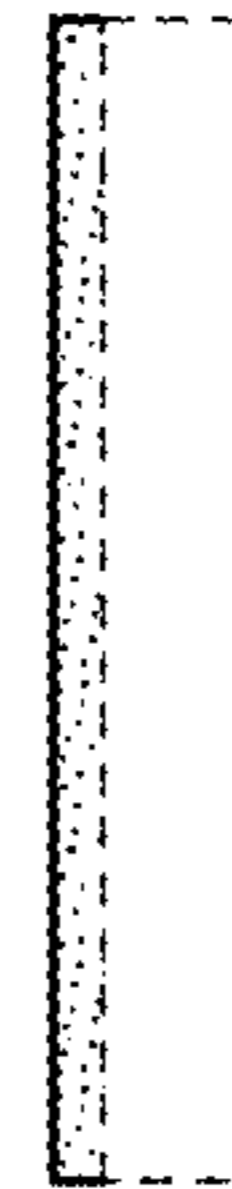


FIG. 5

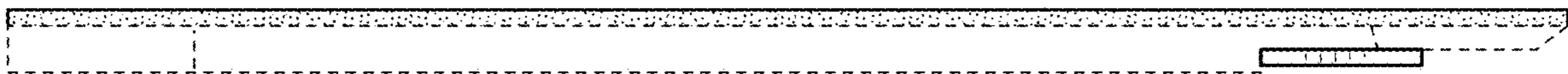


FIG. 6

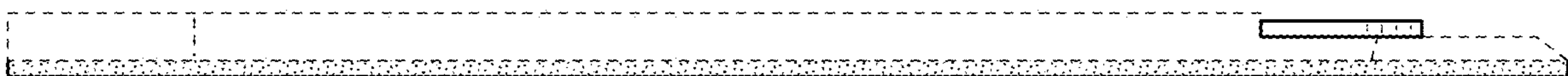


FIG. 7