



US00D874793S

(12) **United States Design Patent**
Koriakin

(10) **Patent No.:** **US D874,793 S**

(45) **Date of Patent:** **** *Feb. 11, 2020**

(54) **GOAL POST HAT**

(71) Applicant: **Nicholas Koriakin**, Lake Worth, FL
(US)

(72) Inventor: **Nicholas Koriakin**, Lake Worth, FL
(US)

(*) Notice: This patent is subject to a terminal disclaimer.

(**) Term: **15 Years**

(21) Appl. No.: **29/644,330**

(22) Filed: **Apr. 17, 2018**

(51) **LOC (12) Cl.** **02-03**

(52) **U.S. Cl.**
USPC **D2/873**

(58) **Field of Classification Search**
USPC D2/865, 866, 875, 876, 877, 878, 879,
D2/880, 881, 882, 883, 884, 885, 886,
D2/887, 888, 891, 893
CPC A42B 1/00; A42B 1/002; A42B 1/004;
A42B 1/006; A42B 1/02; A42B 1/062;
A42B 1/063; A42B 1/201; A42B 1/225
See application file for complete search history.

(56) **References Cited**

U.S. PATENT DOCUMENTS

D153,538 S * 4/1949 Moore D2/887
2,594,906 A * 4/1952 Gardner A42B 1/208
2/171.01
4,747,164 A 5/1988 Foulke
D336,357 S 6/1993 Gravante
D350,427 S * 9/1994 Vig 2/175.1
D353,036 S 12/1994 Lackey
D359,383 S * 6/1995 Hutchinson D2/866

D366,751 S * 2/1996 Gravante D2/872
D386,586 S * 11/1997 Jensen D2/866
5,682,615 A * 11/1997 Wahl A42B 1/004
2/175.3
5,781,934 A 7/1998 Pauley, Jr.
D399,337 S * 10/1998 Saunders D2/873
6,000,063 A 12/1999 Sullivan
6,279,167 B1 8/2001 Johnson
D454,678 S 3/2002 Graves
D458,735 S 6/2002 Cook
7,743,471 B2 6/2010 Rogers
D637,378 S * 5/2011 Cornwell D2/887
D644,415 S 9/2011 Zwanzger

FOREIGN PATENT DOCUMENTS

WO 2004057989 8/2004

* cited by examiner

Primary Examiner — Karen S Acker
Assistant Examiner — Jasmine Mlinarcik

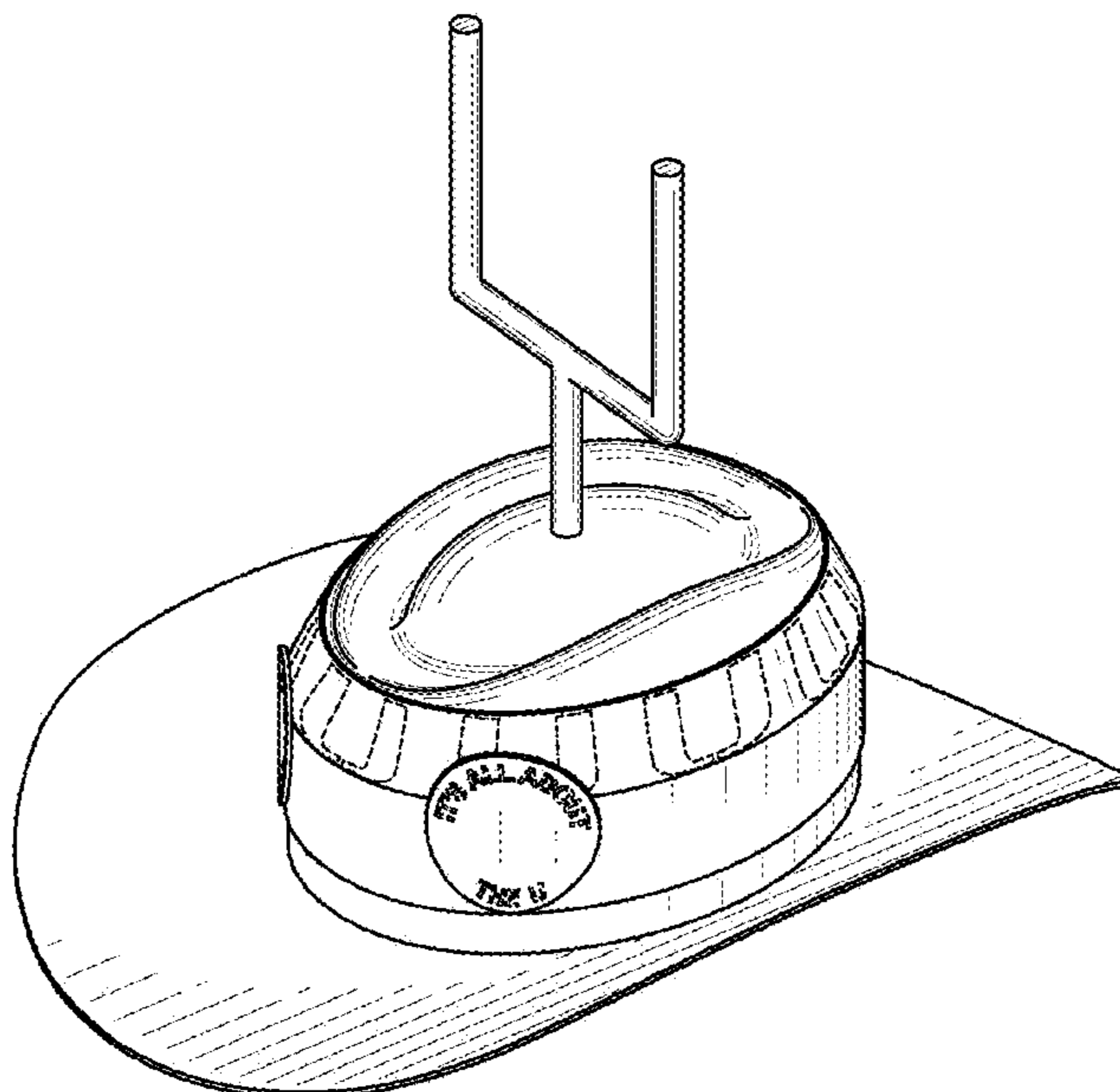
(57) **CLAIM**

I claim the ornamental design for a goal post hat, as shown and described.

DESCRIPTION

FIG. 1 is a front view of the goal post hat.
FIG. 2 is a rear view of the claimed design.
FIG. 3 is a right side view of the claimed design.
FIG. 4 is a left side view of the claimed design.
FIG. 5 is a top view of the claimed design.
FIG. 6 is a bottom view of the claimed design; and,
FIG. 7 is a perspective view of the claimed design.
The broken lines appearing on FIGS. 1-5 and FIG. 7 of the badge and the "U" are environmental matter and form no part of the claimed design.

1 Claim, 7 Drawing Sheets



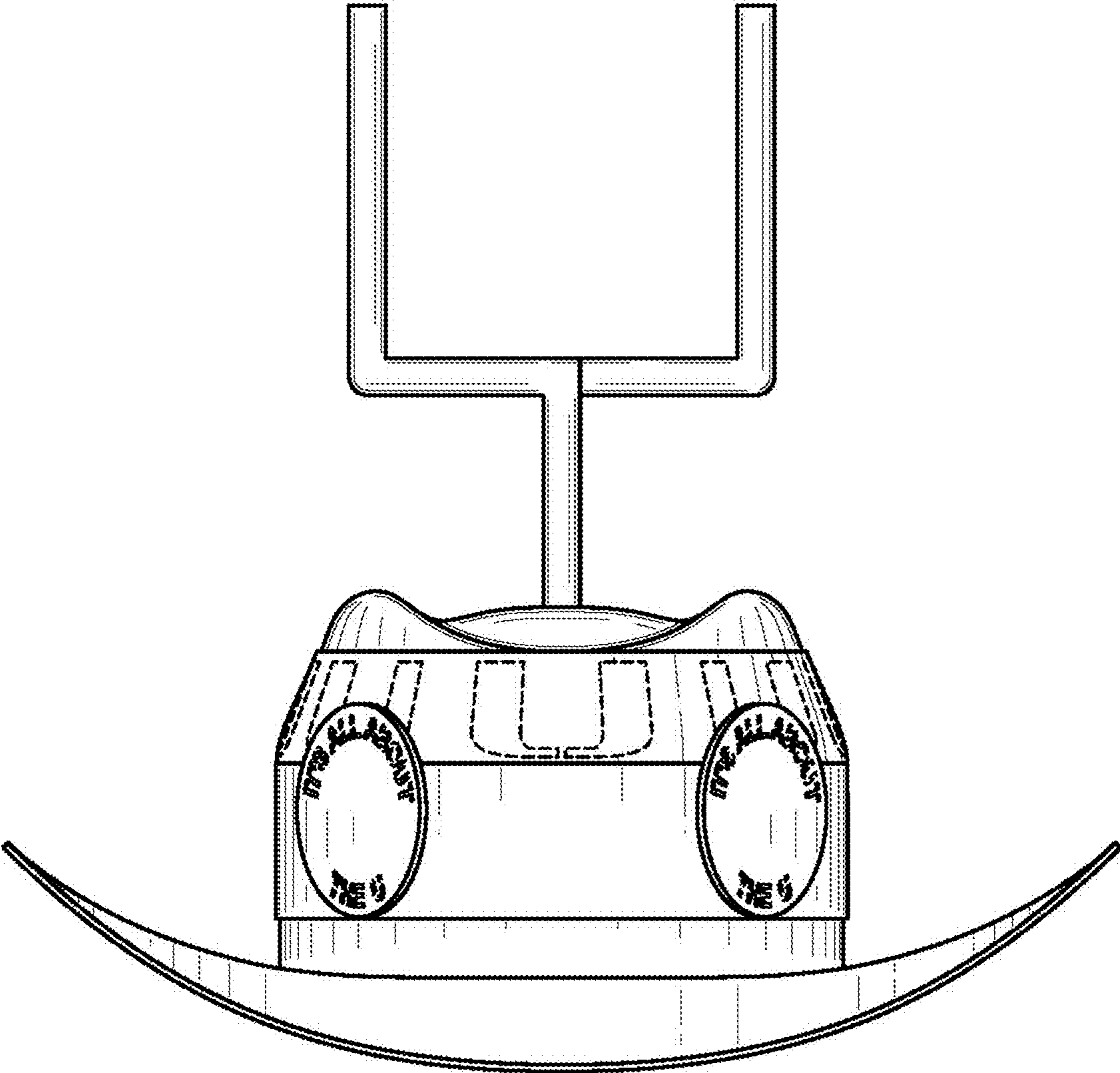


FIG. 1

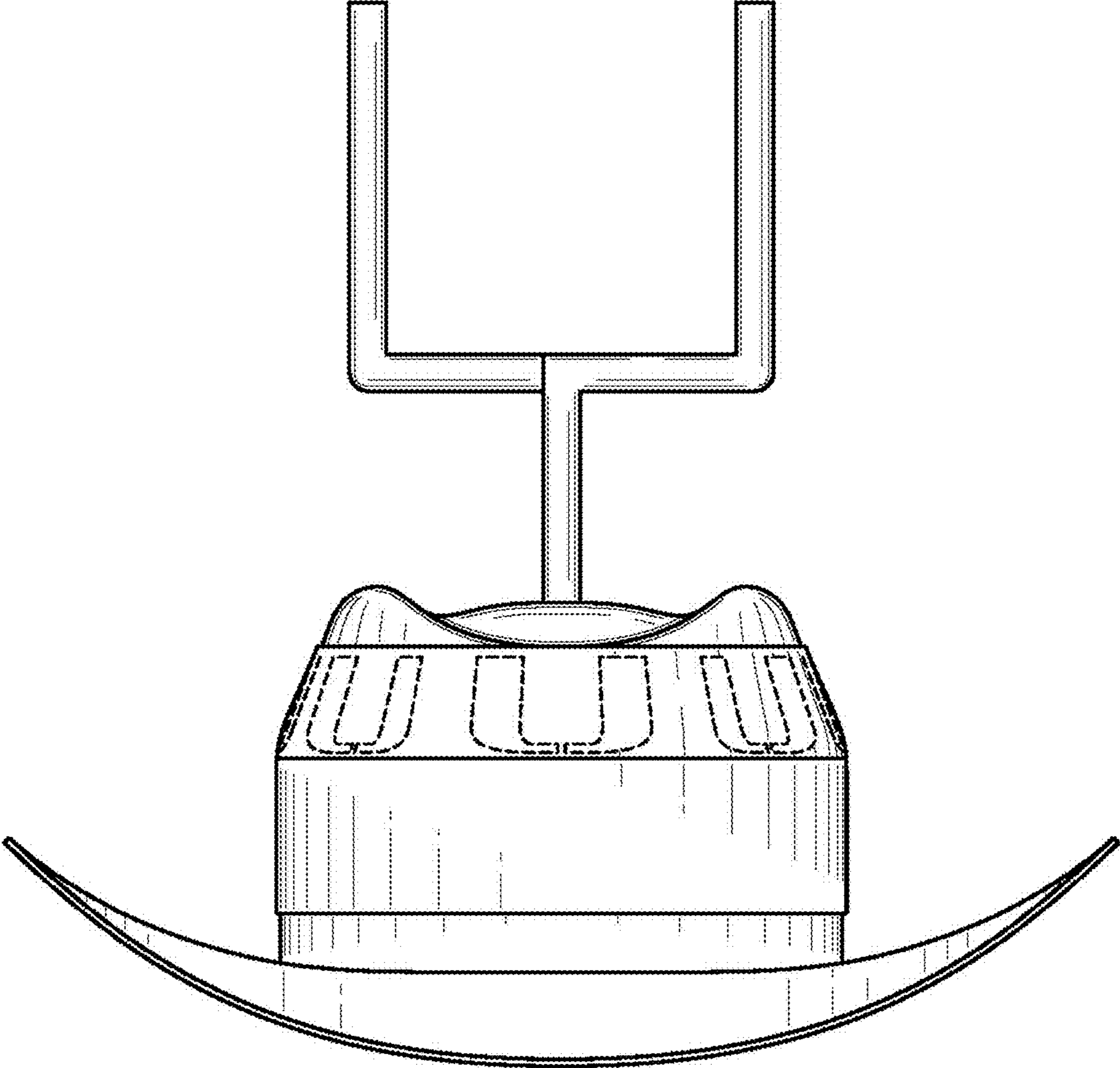


FIG. 2

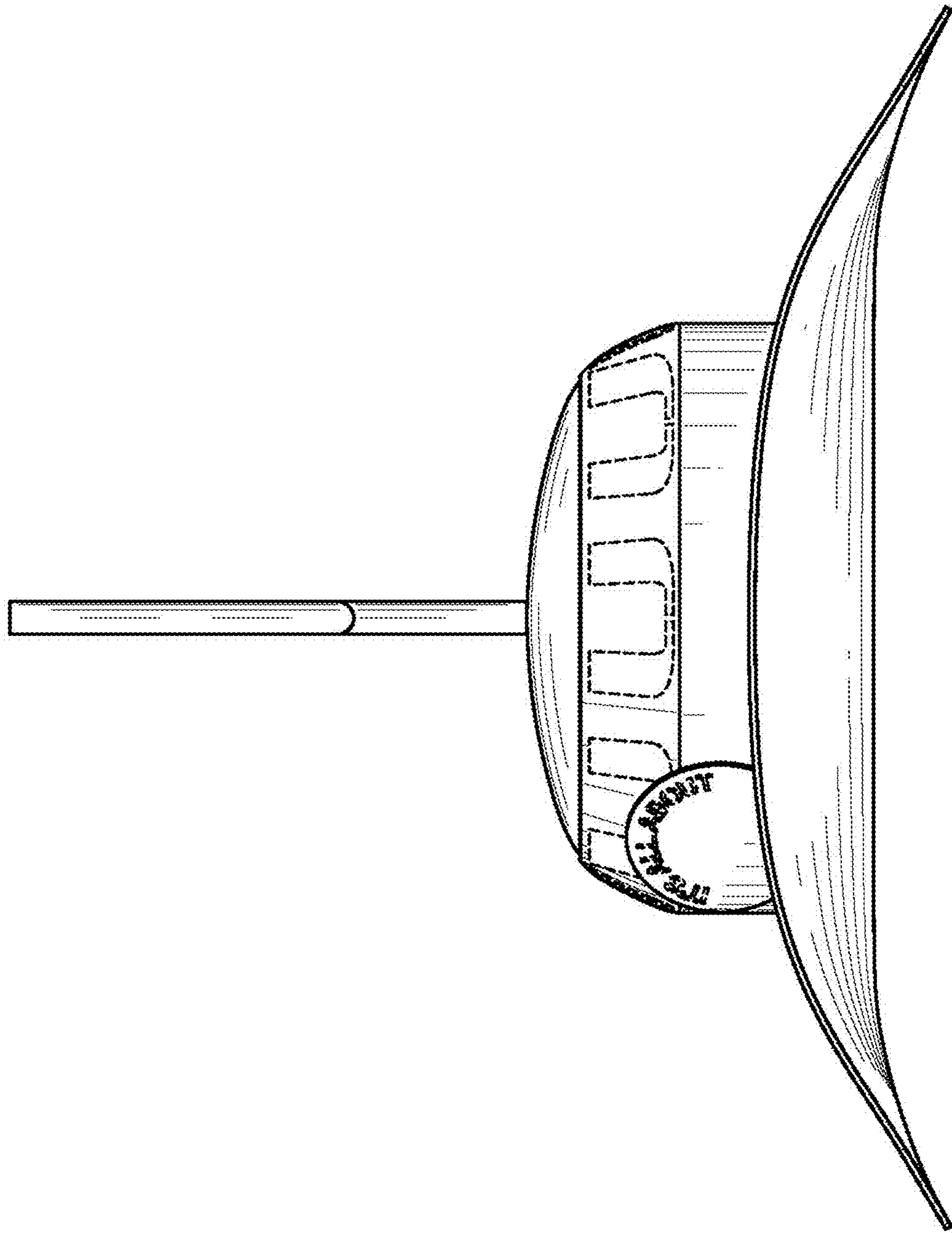


FIG. 3

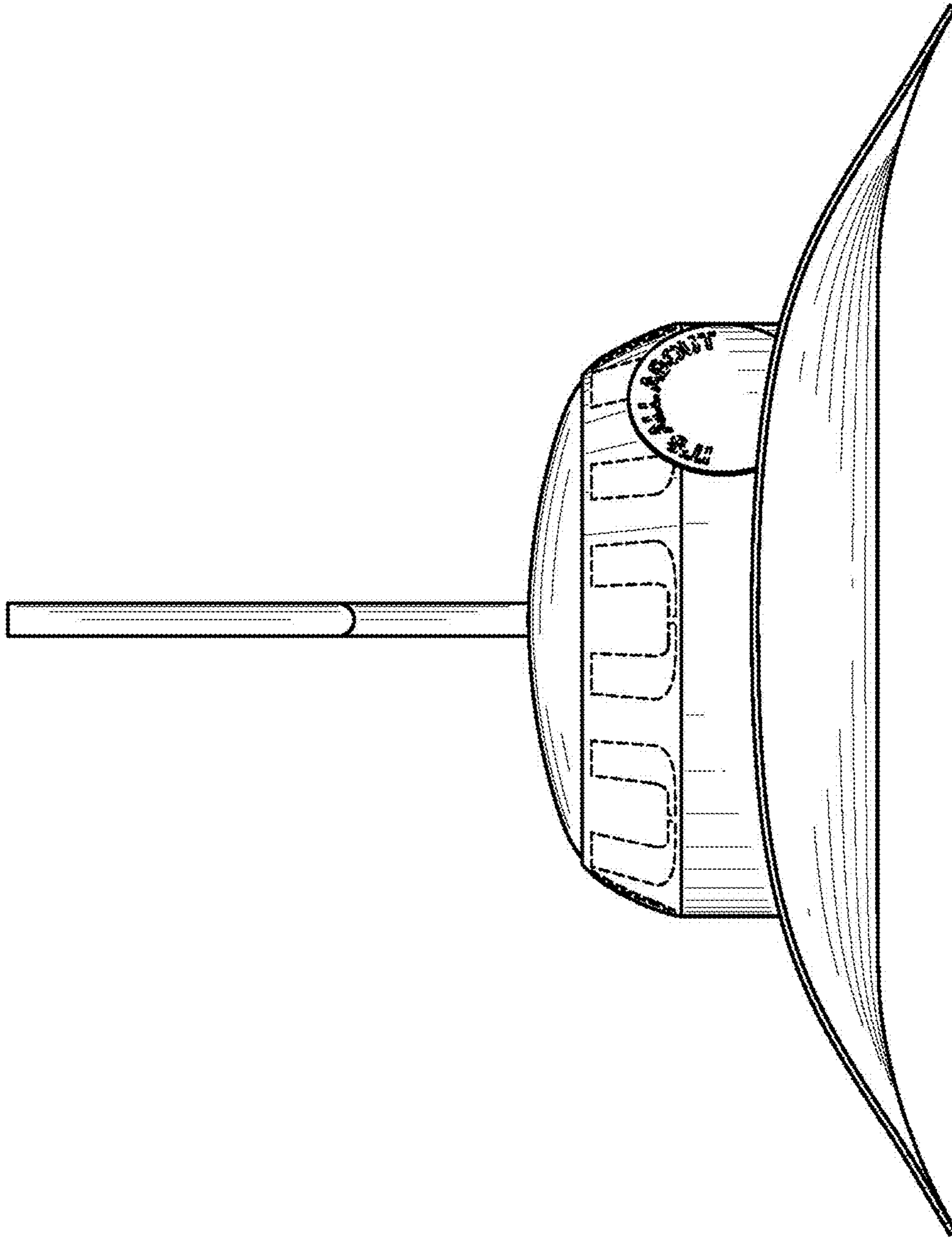


FIG. 4

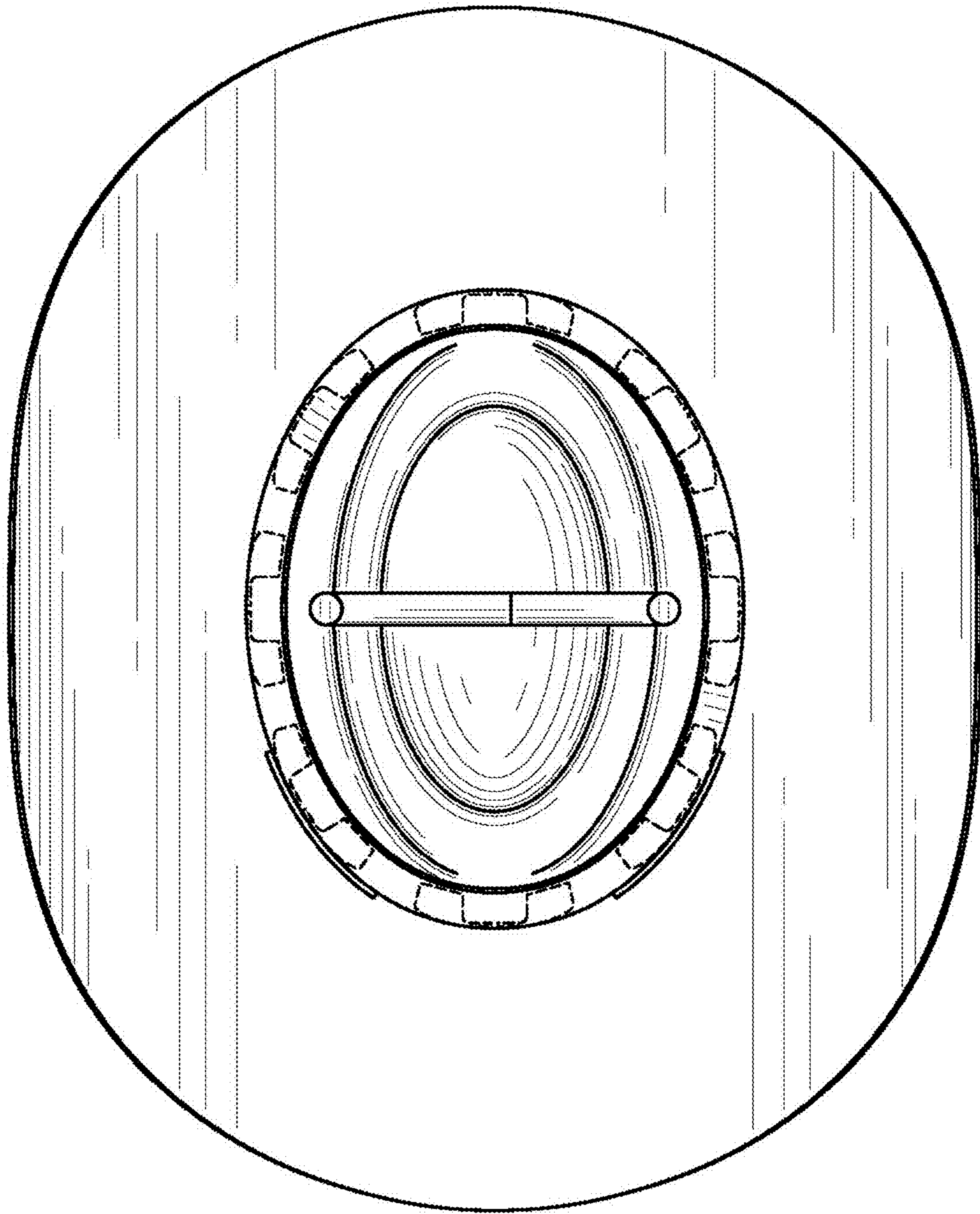


FIG. 5

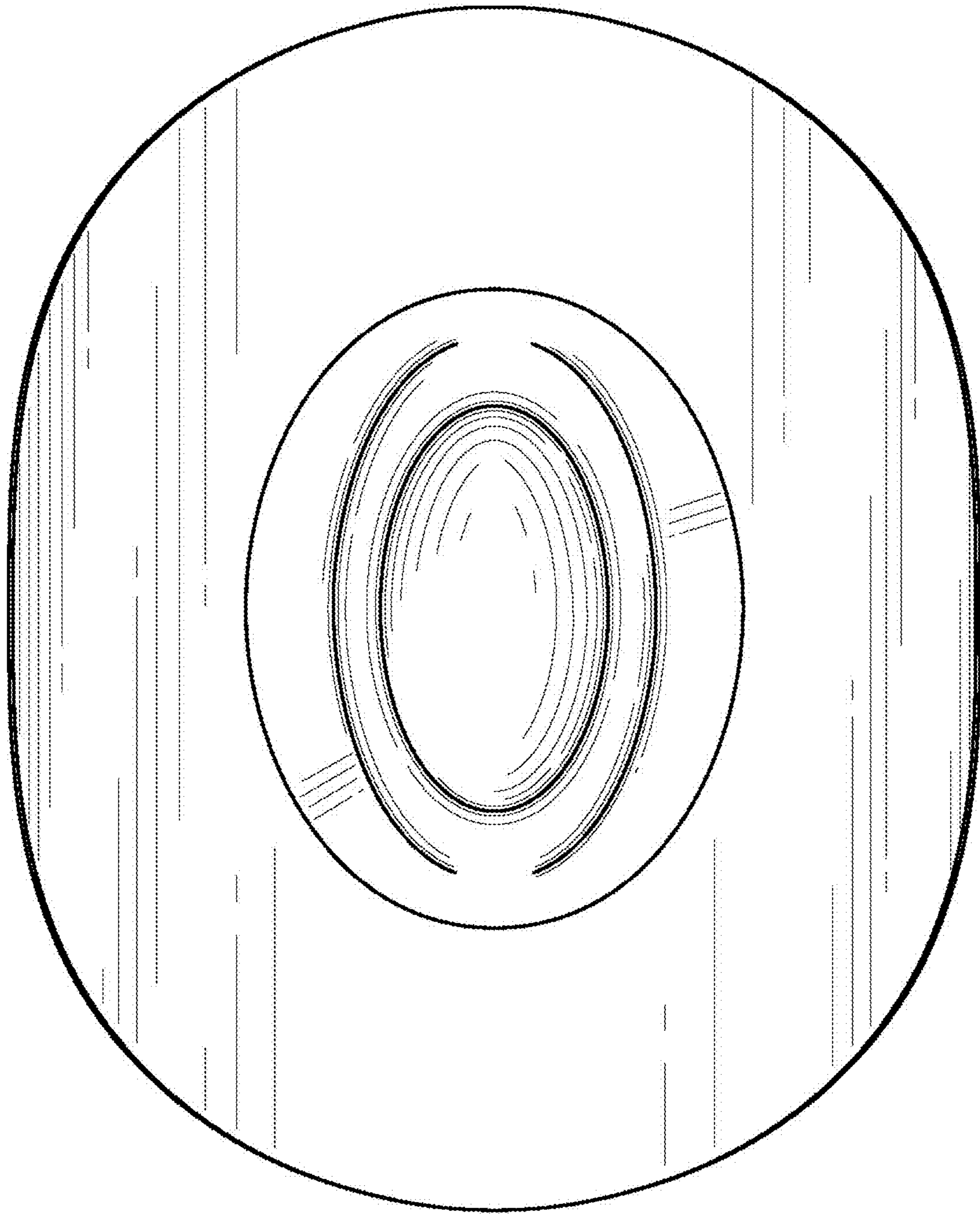


FIG. 6

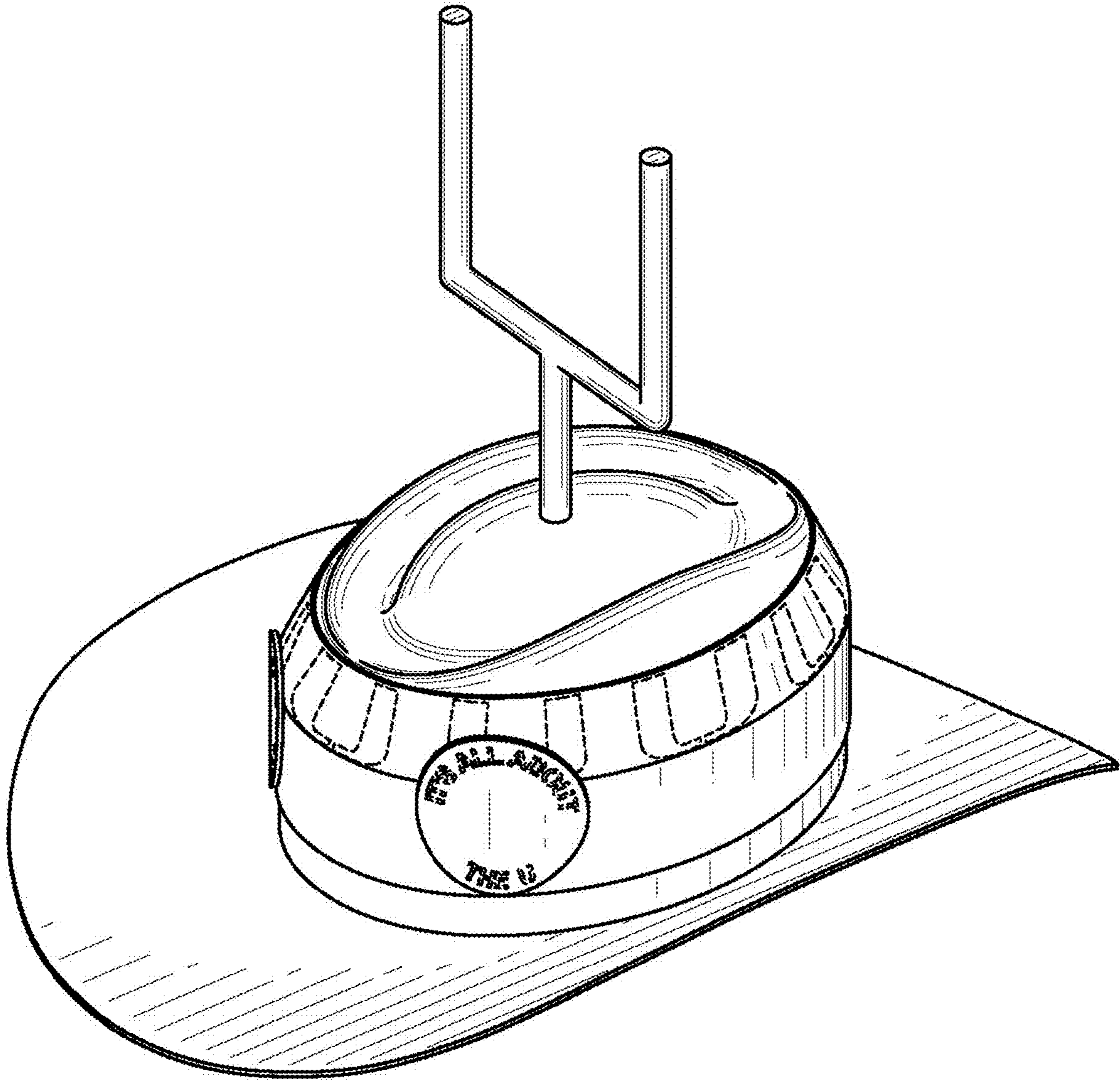


FIG. 7