



US00D874790S

(12) **United States Design Patent** (10) **Patent No.:** **US D874,790 S**
Hanna (45) **Date of Patent:** **** Feb. 11, 2020**

(54) **REFLECTIVE STRIPE**

(71) Applicant: **M. L. Kishigo Manufacturing Company, LLC**, Santa Ana, CA (US)

(72) Inventor: **Sandra Hanna**, Corona, CA (US)

(73) Assignee: **M. L. Kishigo Manufacturing Company, LLC**, Santa Ana, CA (US)

(**) Term: **15 Years**

(21) Appl. No.: **29/621,894**

(22) Filed: **Oct. 12, 2017**

(51) **LOC (12) Cl.** **02-02**

(52) **U.S. Cl.**
USPC **D2/829**

(58) **Field of Classification Search**
USPC D2/717, 829, 830, 739; D29/101.4
CPC A41D 13/01
See application file for complete search history.

(56) **References Cited**

U.S. PATENT DOCUMENTS

5,070,436	A *	12/1991	Alexander	A41D 13/01 340/321
5,570,945	A *	11/1996	Chien	A41D 13/01 362/103
6,859,941	B2 *	3/2005	Koppes	A41D 13/01 2/81
7,058,982	B2 *	6/2006	Atallah	A41D 1/04 2/102
7,156,528	B2 *	1/2007	Weiss	G02B 5/124 264/1.9
8,288,940	B2 *	10/2012	Hehenberger	A41D 13/01 313/1
D750,387	S *	3/2016	Rowbottom	D5/47
9,483,918	B2 *	11/2016	Uriarte	A41D 13/01
D797,378	S *	9/2017	Gill	D29/101.4
9,835,299	B2 *	12/2017	Villalobos	F21L 4/02
9,854,856	B1 *	1/2018	Baldonado	A41D 13/01
2002/0145805	A1 *	10/2002	Hall	A41D 13/01 359/516

(Continued)

OTHER PUBLICATIONS

Ergodyne Glowear 8240HL Two Tone Expandable Reflective Safety Vest posted to Amazon.com. Posted date Jun. 18, 2009 [site visited May 31, 2019] Available: < <https://www.amazon.com/Ergodyne-GloWear-8240HL-Expandable-Reflective/dp/B002BDTZ0K> > (Year: 2009).*

Primary Examiner — Kevin K Rudzinski

(74) *Attorney, Agent, or Firm* — Husch Blackwell LLP

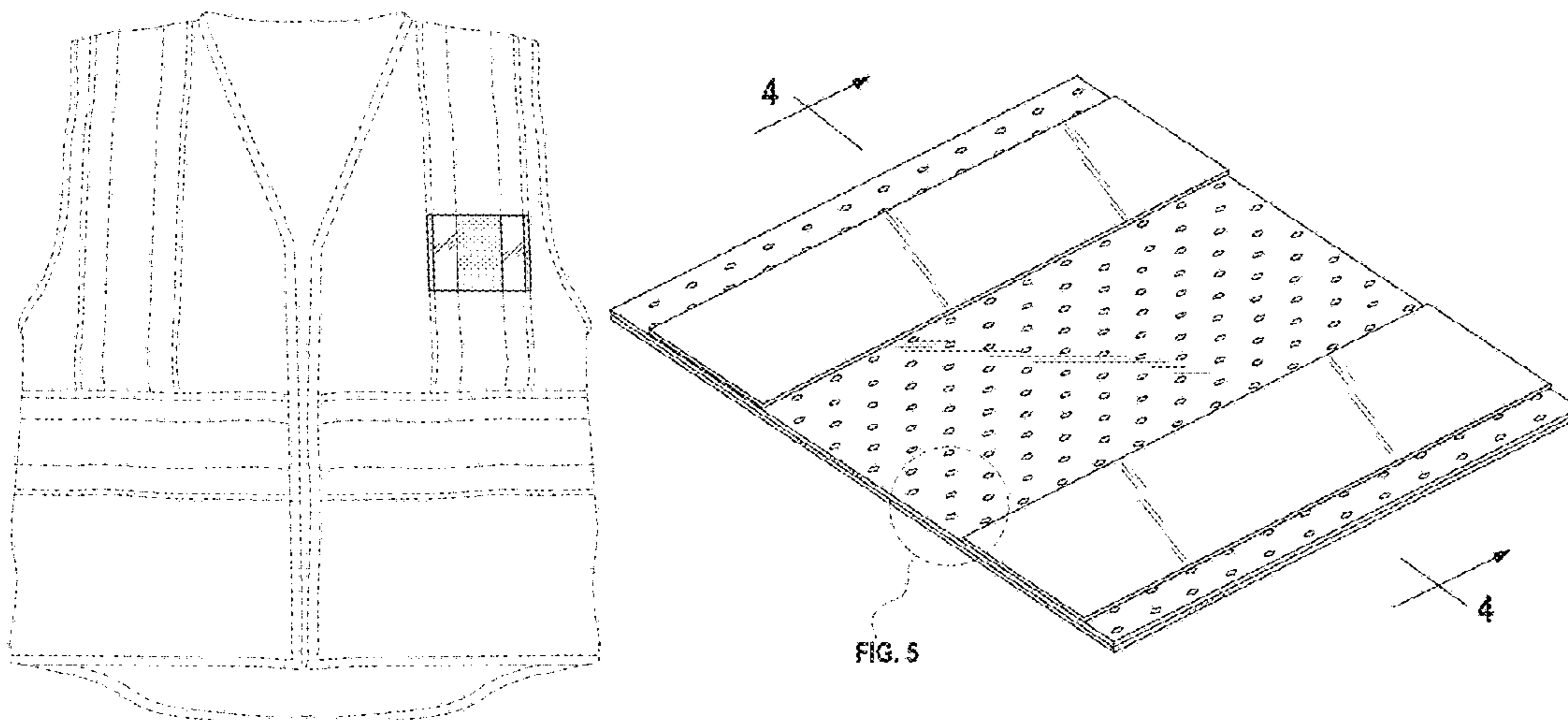
(57) **CLAIM**

I claim the ornamental design for a reflective stripe, as shown and described.

DESCRIPTION

FIG. 1 is a front elevation view of an embodiment of a reflective stripe showing the new design; FIG. 2 is an exploded perspective view thereof; FIG. 3 is a perspective view thereof; FIG. 4 is a cross-sectional view thereof, taken along line 4-4 in FIG. 3; and FIG. 5 is a detail view showing reflective surfaces visible through non-reflective mesh. FIG. 6 is a front elevation view of another embodiment of a reflective stripe showing the new design; FIG. 7 is an exploded perspective view thereof; FIG. 8 is a perspective view thereof; FIG. 9 is a cross-sectional view thereof, taken along line 9-9 in FIG. 8; and, FIG. 10 is a detail view showing reflective surfaces visible through non-reflective mesh. Broken lines and the area within the broken lines represent environmental subject matter that forms no part of the claimed design. The shading lines oblique to the normal orientation of the drawing sheets illustrate surfaces that are reflective.

1 Claim, 8 Drawing Sheets



(56)

References Cited

U.S. PATENT DOCUMENTS

2002/0152533 A1* 10/2002 Lesley A41D 13/01
2/102
2004/0117890 A1* 6/2004 Golle A41D 1/04
2/69
2014/0289929 A1* 10/2014 Stansberry A41D 13/0012
2/102

* cited by examiner

FIG. 1

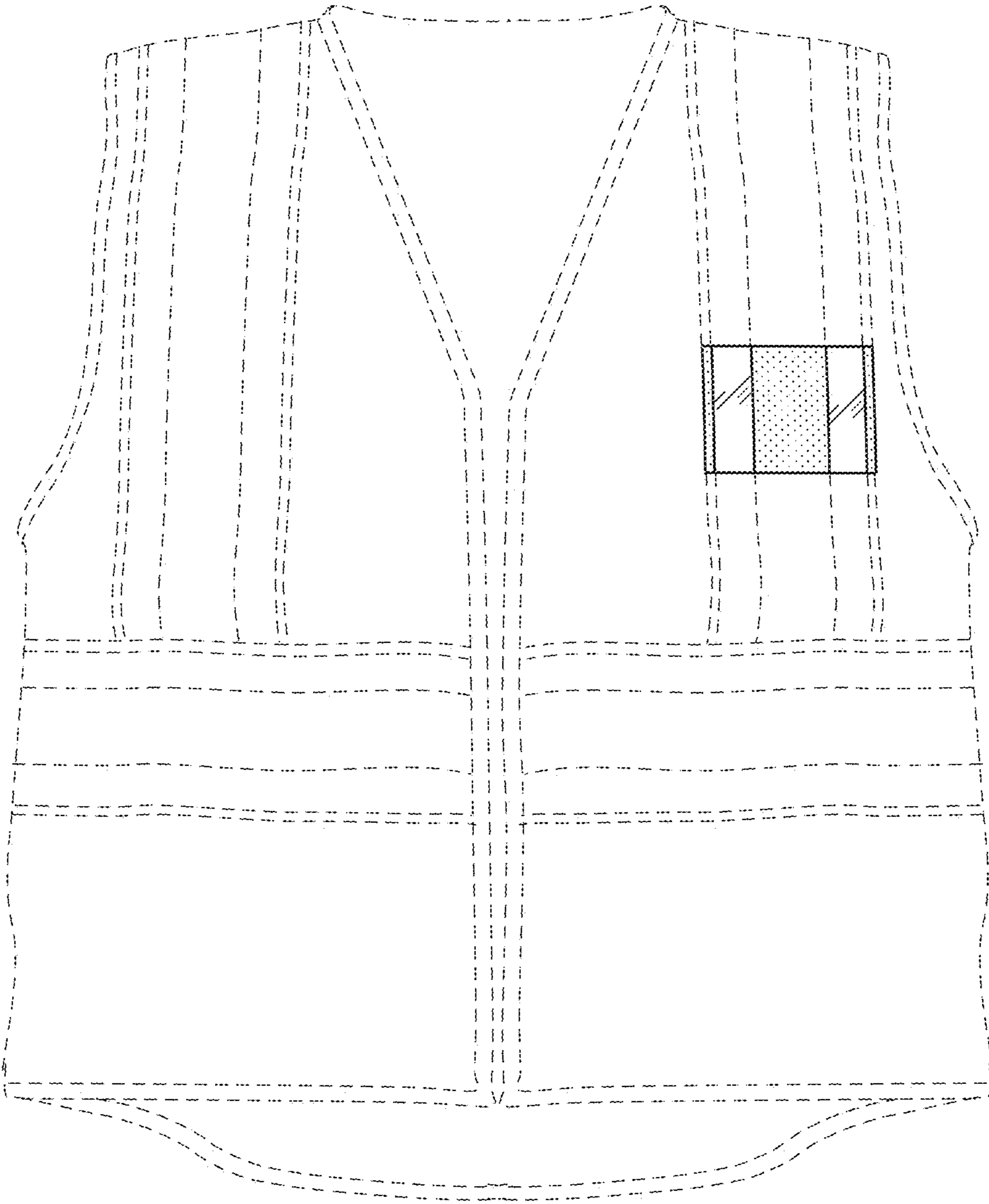
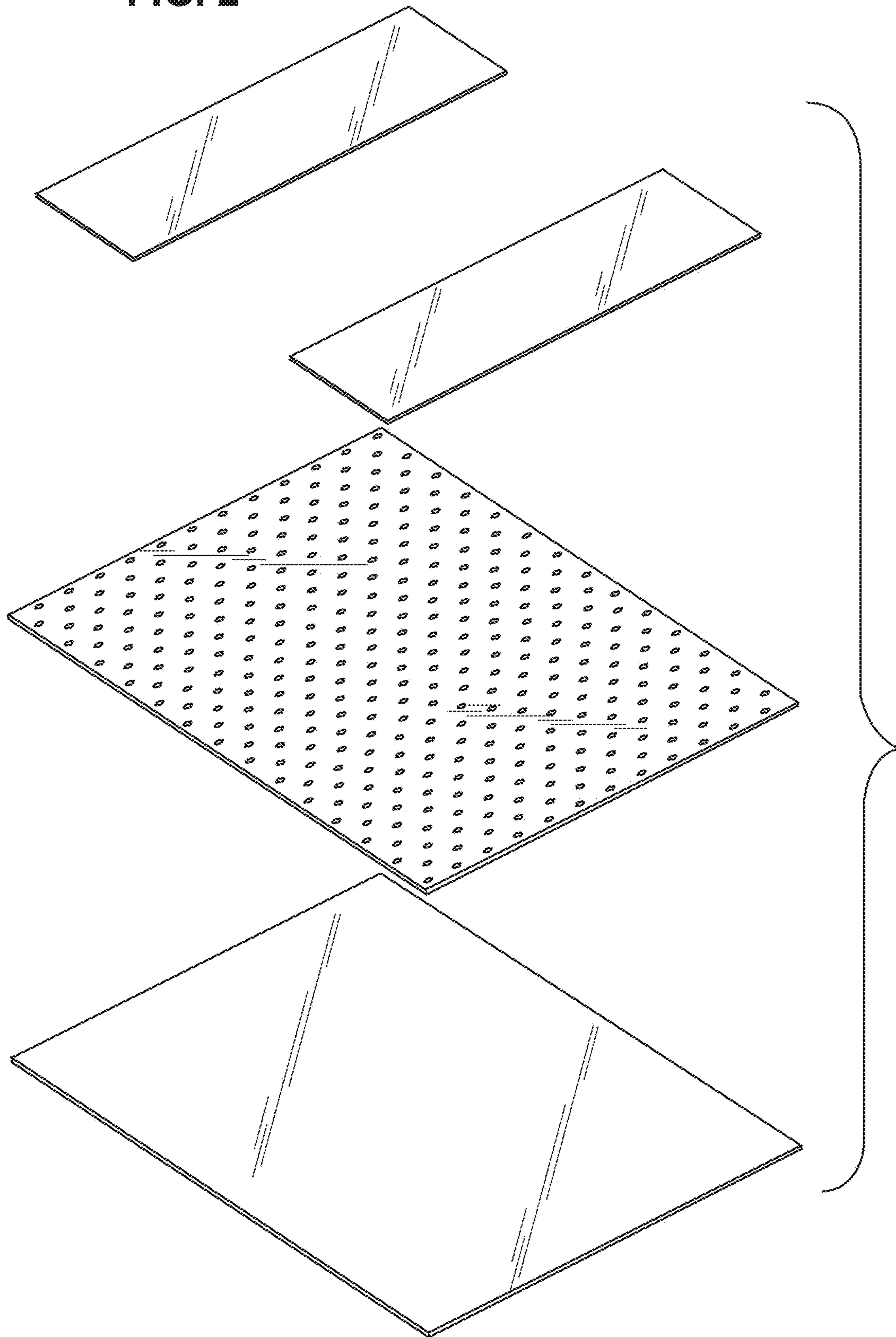


FIG. 2



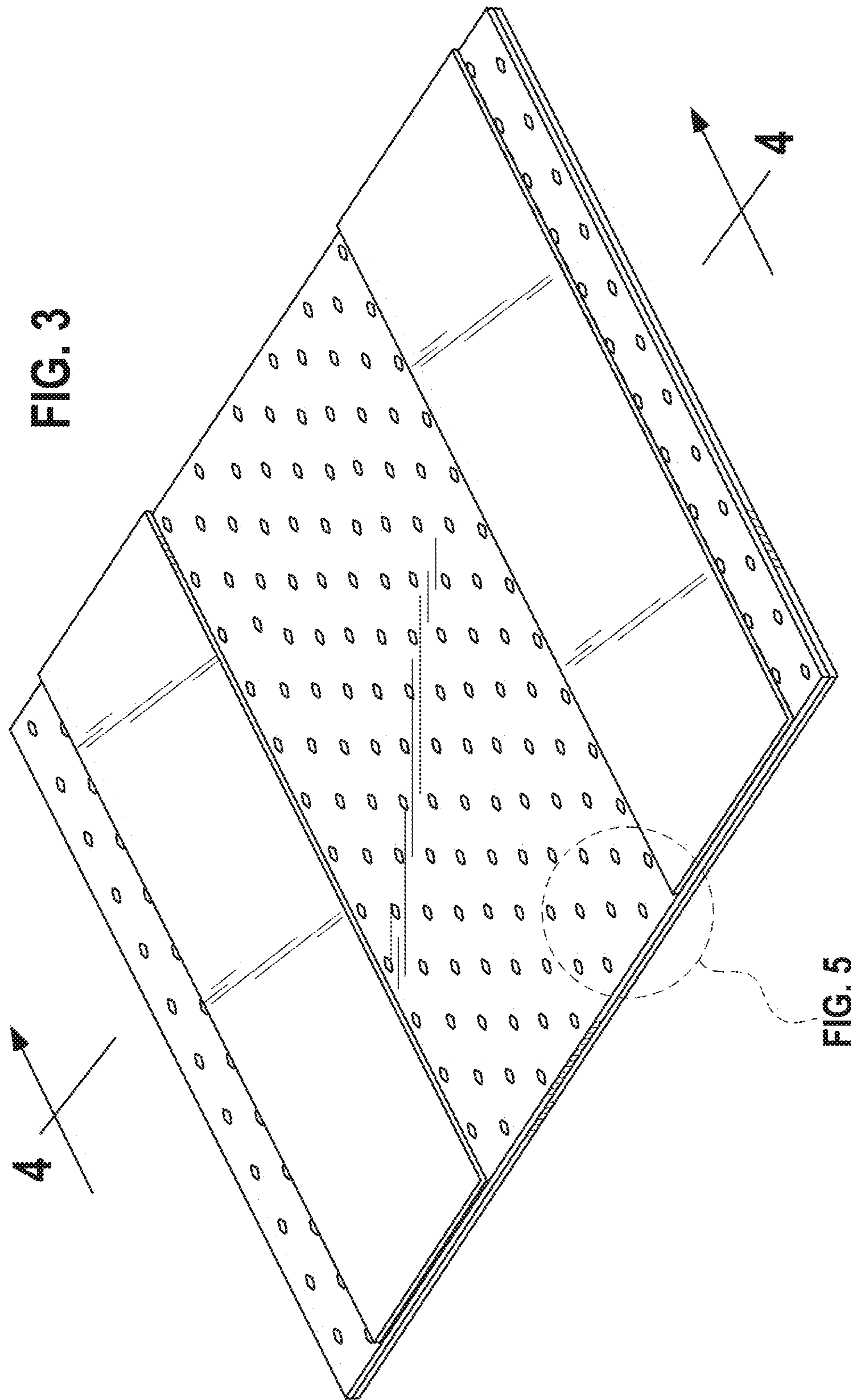


FIG. 4



FIG. 5

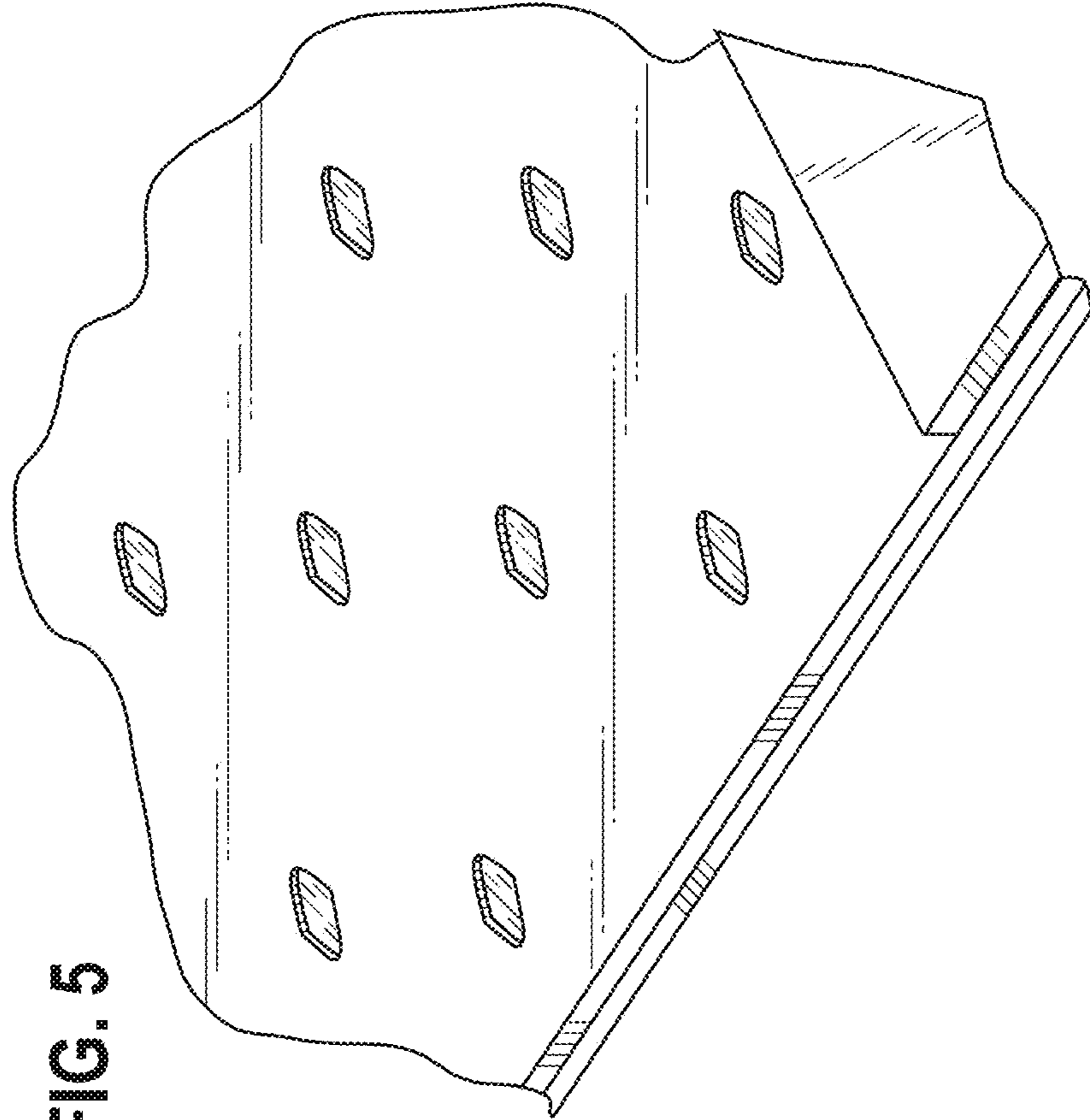


FIG. 6

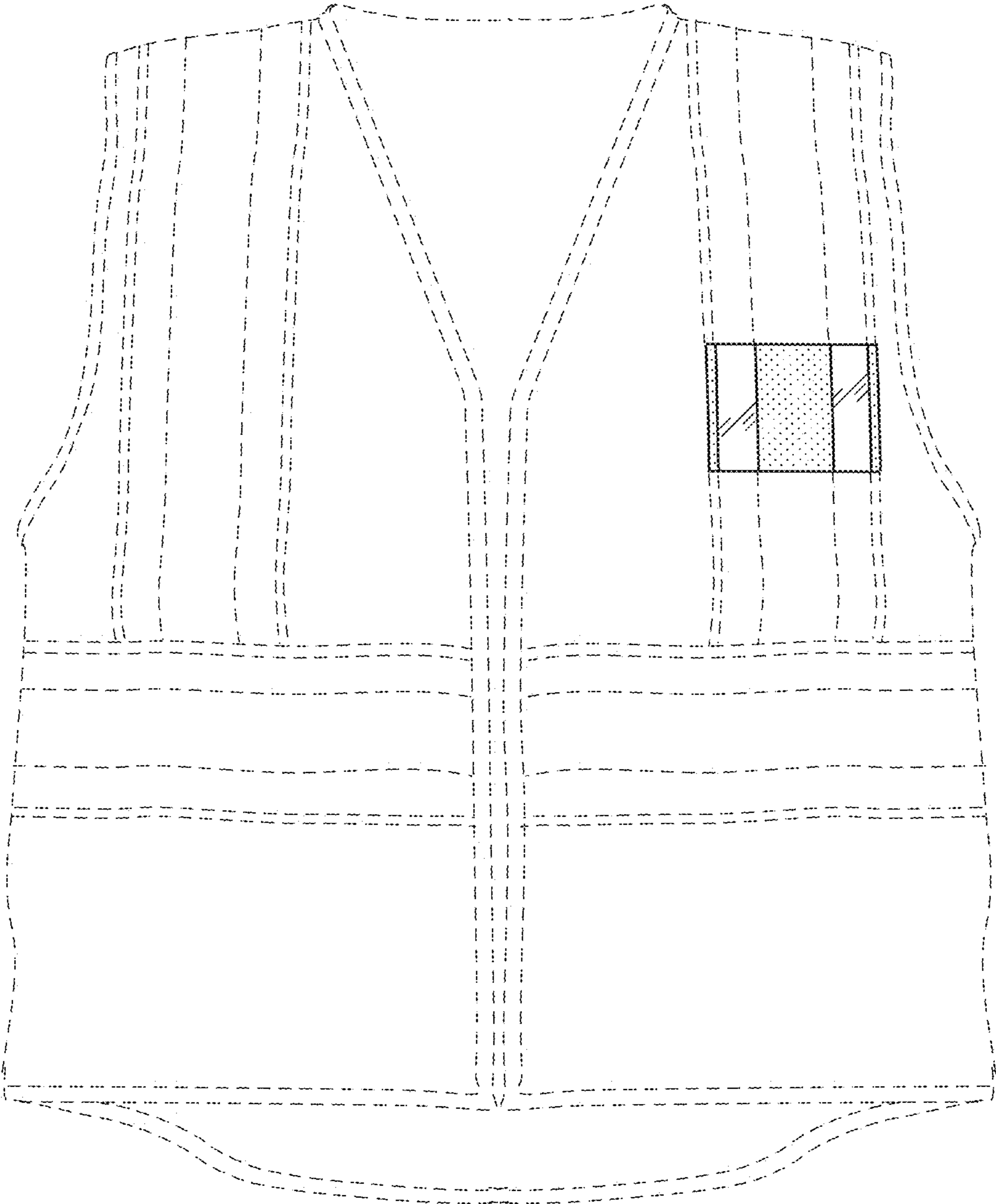
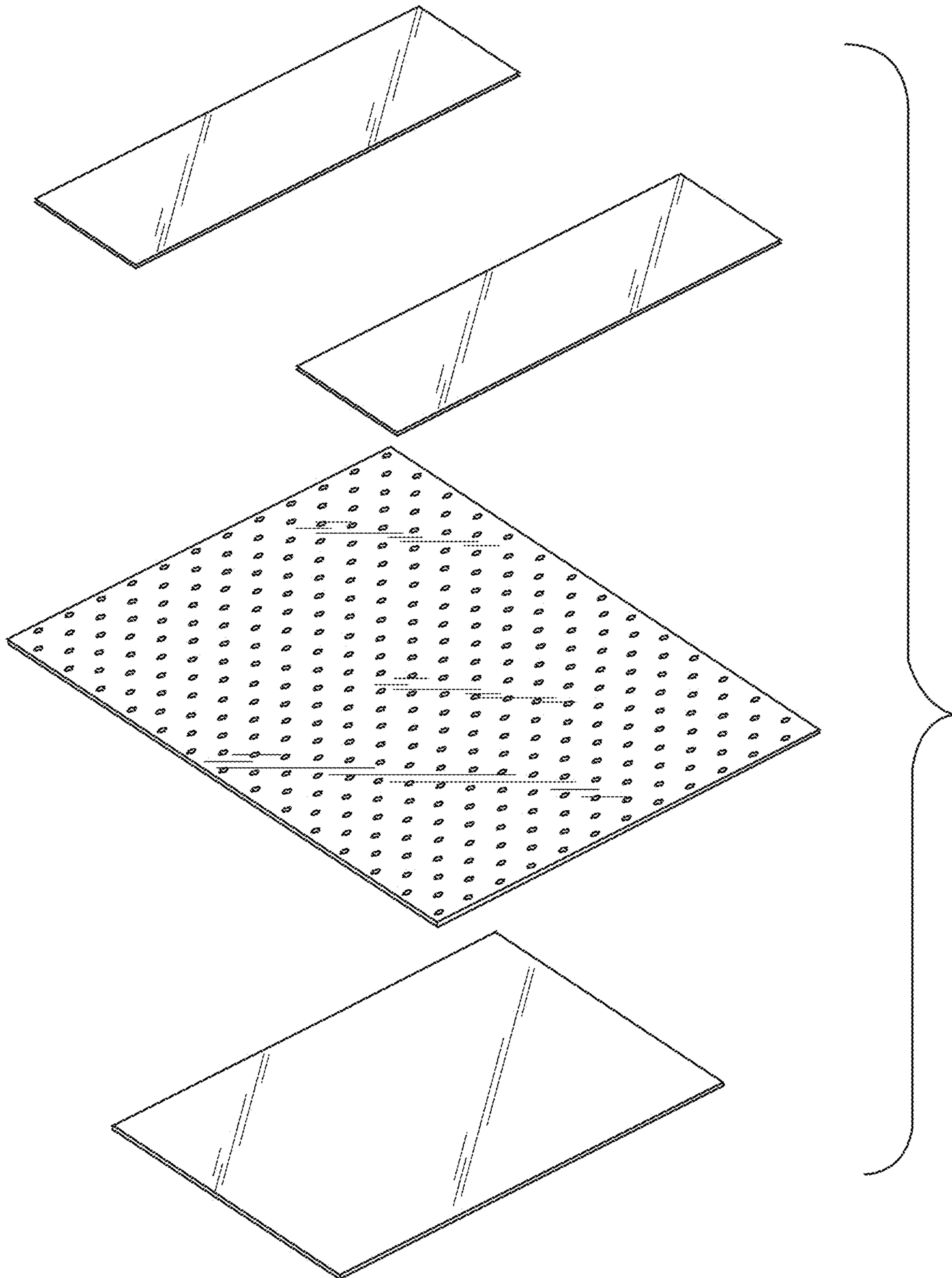


FIG. 7



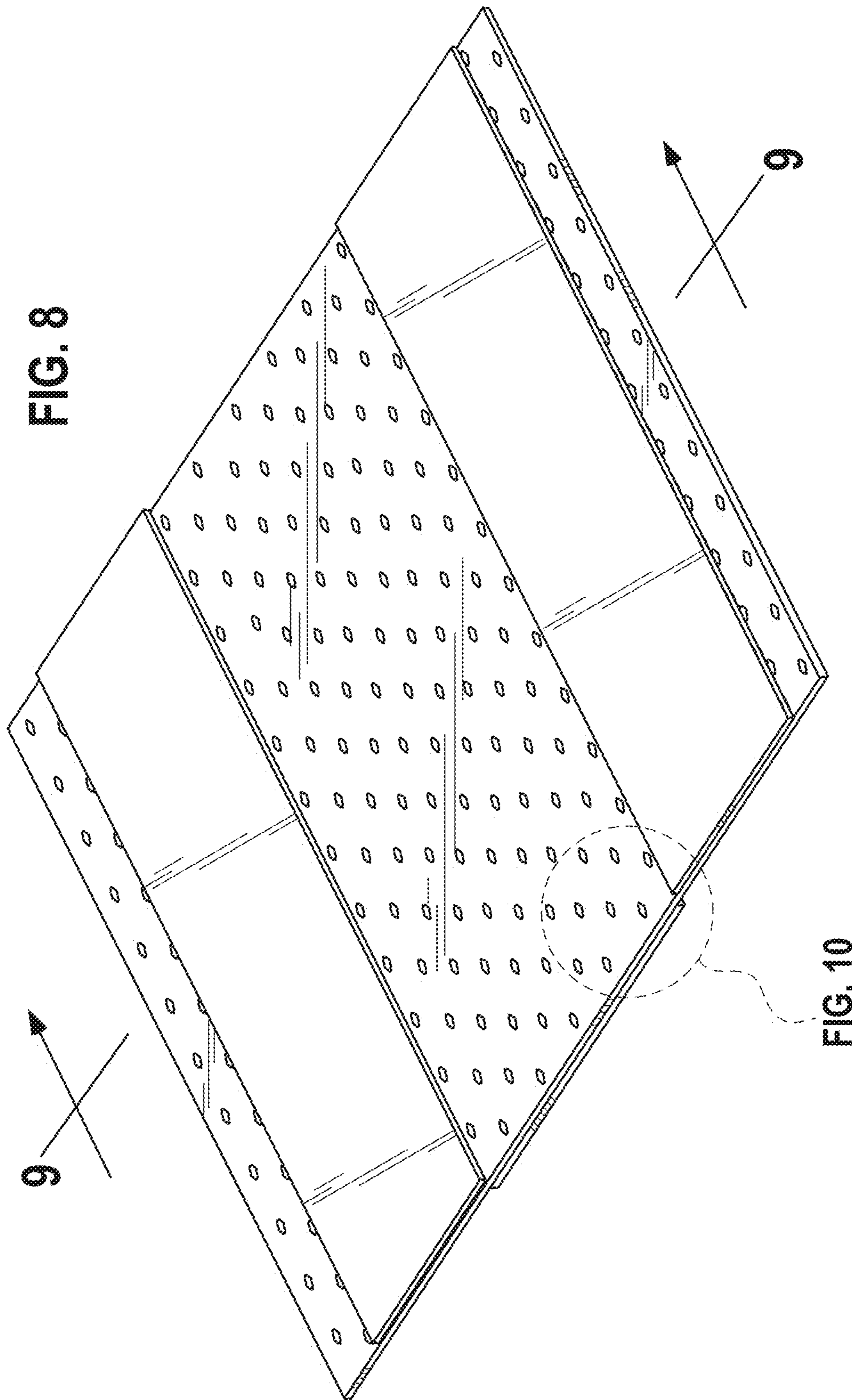


FIG. 9



FIG. 10

