



US00D874787S

(12) **United States Design Patent** (10) **Patent No.:** **US D874,787 S**  
**Blaney** (45) **Date of Patent:** **\*\* Feb. 11, 2020**

(54) **TEETHING MITTEN**  
(71) Applicant: **Michael P. Blaney**, Rotunda West, FL (US)  
(72) Inventor: **Michael P. Blaney**, Rotunda West, FL (US)  
(\*\*) Term: **15 Years**  
(21) Appl. No.: **29/642,642**  
(22) Filed: **Mar. 30, 2018**  
(51) **LOC (12) Cl.** ..... **02-06**  
(52) **U.S. Cl.**  
USPC ..... **D2/622**; D24/194; D29/118  
(58) **Field of Classification Search**  
USPC ..... D29/118, 113, 114, 116.2, 117.1, 117.2, D29/120.1, 123; D24/194, 195; D2/618, D2/619, 621, 622, 623  
CPC .. A41D 19/01; A41D 19/00; A41D 19/01547; A41D 19/01558  
See application file for complete search history.

(56) **References Cited**  
U.S. PATENT DOCUMENTS  
D509,628 S \* 9/2005 Gilbert, Jr. .... A41D 19/01 D29/118  
D713,968 S 9/2014 Hyslop  
D750,792 S 3/2016 Darnley et al.  
D825,862 S \* 8/2018 de Martrin-Donos ..... D29/118  
D840,634 S \* 2/2019 Steward ..... D2/622  
2005/0177923 A1\* 8/2005 Simic ..... A41D 19/0058 2/161.6  
2005/0222621 A1\* 10/2005 Duwelius ..... A41D 19/01594 606/235  
2006/0004412 A1\* 1/2006 Gilbert, Jr. .... A41D 19/01 606/234  
2009/0118763 A1\* 5/2009 Abramson ..... A61J 17/02 606/235

2009/0143822 A1\* 6/2009 Perry ..... A61J 17/02 606/235  
2015/0209240 A1\* 7/2015 Steward ..... A61J 17/02 606/235  
2018/0055741 A1\* 3/2018 Hyslop ..... A61J 17/02

**OTHER PUBLICATIONS**

MonkeyTots Teething Mitten, posted at amazon.com, posting date by Jul. 23, 2019, [online], [site visited Aug. 1, 2019]. Available from Internet, URL: <https://www.amazon.com/MonkeyTots-Teething-Premium-Comforting-Quality/dp/B07DL4CNYS/> (Year: 2019).\*  
Munch Mitt Teething Mitten, posted at amazon.com, posting date by Mar. 2, 2019, [online], [site visited Aug. 1, 2019]. Available from Internet, URL: <https://www.amazon.com/Munch-Mitt-Collection-Teething-Original/dp/B078MPJRG4> (Year: 2019).\*

(Continued)

*Primary Examiner* — George D. Kirschbaum  
*Assistant Examiner* — Maria J Edwards  
(74) *Attorney, Agent, or Firm* — Sriplaw, P.A.

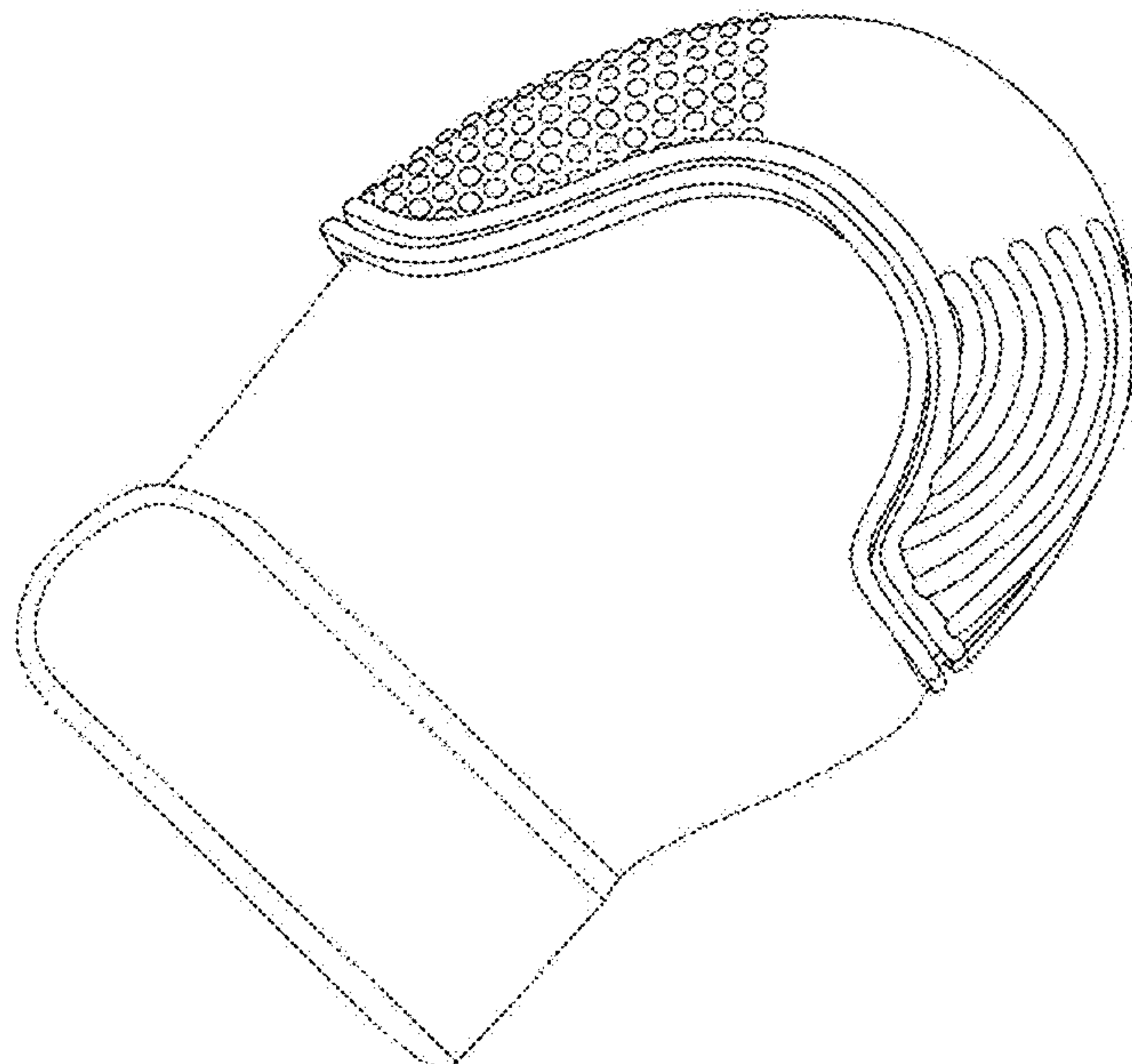
(57) **CLAIM**

The ornamental design for a teething mitten, as shown and described.

**DESCRIPTION**

FIG. 1 is a perspective view of my new design for a teething mitten;  
FIG. 2 is a front view thereof;  
FIG. 3 is a back view thereof;  
FIG. 4 is a right side view thereof;  
FIG. 5 is a left side view thereof;  
FIG. 6 is a top view thereof; and,  
FIG. 7 is a bottom view thereof.  
The broken lines in the drawings show portions of the teething mitten and form no part of the claimed design.

**1 Claim, 7 Drawing Sheets**



(56)

**References Cited**

## OTHER PUBLICATIONS

PBNJ baby Silicone Infant Teething Mitten, posted at amazon.com, posting date by Mar. 4, 2019, [online], [site visited Aug. 1, 2019]. Available from Internet, URL: <https://www.amazon.com/PBNJ-Silicone-Teething-Teether-Bag-Dinosaur/dp/B07MWG871X/> (Year: 2019).\*

Alibaba Listing: 2018 Latest Wholesale Baby Mittens Teething Gloves With BPA Free: [https://www.alibaba.com/product-detail/2018-Latest-Wholesale-Baby-Mittens-Teething\\_60698158915.html?spm=a2700.7724838.2017115.20.225121140ltkrD&s=p](https://www.alibaba.com/product-detail/2018-Latest-Wholesale-Baby-Mittens-Teething_60698158915.html?spm=a2700.7724838.2017115.20.225121140ltkrD&s=p).

Alibaba Listing: 2018 New Products BPA Free Customised Baby Teething Mitten for Kids: [https://www.alibaba.com/product-detail/2018-New-Products-BPA-Free-Customised\\_60729406843.html?spm=a2700.7724838.2017115.203.225121140ltkrD](https://www.alibaba.com/product-detail/2018-New-Products-BPA-Free-Customised_60729406843.html?spm=a2700.7724838.2017115.203.225121140ltkrD).

Alibaba Listing: Amazon Hot Sale Owl Silicone Baby Teething Mitten Candy Color Baby Mitten Teething: [https://www.alibaba.com/product-detail/Amazon-Hot-Sale-Owl-Silicone-Baby\\_60742212664.html?spm=a2700.7724838.2017115.170.225121140ltkrD](https://www.alibaba.com/product-detail/Amazon-Hot-Sale-Owl-Silicone-Baby_60742212664.html?spm=a2700.7724838.2017115.170.225121140ltkrD).

Alibaba listing: Baby Silicone Teether Toy Teething Glove Baby Silicone Teething Mitten for Baby: [https://www.alibaba.com/product-detail/Baby-Silicone-Teether-Toy-Teething-Glove\\_60729576963.html?spm=a2700.7724838.2017115.355.225121140ltkrD](https://www.alibaba.com/product-detail/Baby-Silicone-Teether-Toy-Teething-Glove_60729576963.html?spm=a2700.7724838.2017115.355.225121140ltkrD).

Alibaba Listing: Baby Teether Toys No-Toxic Chewable Silicone Organic Baby Teether Waterproof Baby Teething Mitten Teething Glove: [https://www.alibaba.com/product-detail/Baby-Teether-Toys-No-toxic-Chewable\\_60722669494.html?spm=a2700.7724838.2017115.93.225121140ltkrD](https://www.alibaba.com/product-detail/Baby-Teether-Toys-No-toxic-Chewable_60722669494.html?spm=a2700.7724838.2017115.93.225121140ltkrD).

Alibaba Listing: FDA approved teething mitten gloves for baby: <https://www.alibaba.com/product-detail/FDA-approved-teething->

[mitten-gloves-for\\_60770437623.html?spm=a2700.7724838.2017115.31.225121140ltkrD&s=p](https://www.alibaba.com/product-detail/mitten-gloves-for_60770437623.html?spm=a2700.7724838.2017115.31.225121140ltkrD&s=p).

Alibaba Listing: Free Sample ! Amazon hot sale safe Silicone Baby Teething Mitten: [https://www.alibaba.com/product-detail/Free-Sample-Amazon-hot-sale-safe\\_60727848245.html?spm=a2700.7724838.2017115.160.225121140ltkrD](https://www.alibaba.com/product-detail/Free-Sample-Amazon-hot-sale-safe_60727848245.html?spm=a2700.7724838.2017115.160.225121140ltkrD).

Alibaba Listing: Free Sample Chewable Baby Teething Glove Baby Mitt Baby Mitten: [https://www.alibaba.com/product-detail/Free-Sample-Chewable-Baby-Teething-Glove\\_60728058800.html?spm=a2700.7724838.2017115.72.225121140ltkrD](https://www.alibaba.com/product-detail/Free-Sample-Chewable-Baby-Teething-Glove_60728058800.html?spm=a2700.7724838.2017115.72.225121140ltkrD).

Alibaba Listing: FZS-AT6 Teether Mitt silicone soft teether toy baby teething mitten: [https://www.alibaba.com/product-detail/FZS-AT6-Teether-Mitt-silicone-soft\\_60734897113.html?spm=a2700.7724838.2017115.181.225121140ltkrD](https://www.alibaba.com/product-detail/FZS-AT6-Teether-Mitt-silicone-soft_60734897113.html?spm=a2700.7724838.2017115.181.225121140ltkrD).

Amazon Listing: Nuby: [https://www.amazon.com/Nuby%E2%80%90Soothing%E2%80%90Teething%E2%80%90Mitten%E2%80%90Hygienic/dp/B071S8PPKN/ref=sr\\_1\\_9\\_s\\_it?s=baby%E2%80%90products&ie=UTF8&qid=1522335276&sr=1%E2%80%9090&keywords=teething%2Bmitten&th=1](https://www.amazon.com/Nuby%E2%80%90Soothing%E2%80%90Teething%E2%80%90Mitten%E2%80%90Hygienic/dp/B071S8PPKN/ref=sr_1_9_s_it?s=baby%E2%80%90products&ie=UTF8&qid=1522335276&sr=1%E2%80%9090&keywords=teething%2Bmitten&th=1).

Teething Mitten by T.T.B. Amazon: [https://www.amazon.com/dp/B0779BF8ZM/ref=sxbs\\_sxwds-stppvp\\_2\\_s\\_it?pf\\_rd\\_m=ATVPDKIKX0DER&pf\\_rd\\_p=3467859002&pd\\_rd\\_wg=OWvsx&pf\\_rd\\_r=1NT4AVAC8N4WX3X32T5Y&pf\\_rd\\_s=desktop-sx-bottom-slot&pf\\_rd\\_t=301&pd\\_rd\\_i=B0779BF8ZM&pd\\_rd\\_w=ATaWY&pf\\_rd\\_i=teething+mitten&pd\\_rd\\_r=1fad3dcb-0d5a-43eb-a9f7-7a90c8640e0d&ie=UTF8&qid=1522075375&sr=2](https://www.amazon.com/dp/B0779BF8ZM/ref=sxbs_sxwds-stppvp_2_s_it?pf_rd_m=ATVPDKIKX0DER&pf_rd_p=3467859002&pd_rd_wg=OWvsx&pf_rd_r=1NT4AVAC8N4WX3X32T5Y&pf_rd_s=desktop-sx-bottom-slot&pf_rd_t=301&pd_rd_i=B0779BF8ZM&pd_rd_w=ATaWY&pf_rd_i=teething+mitten&pd_rd_r=1fad3dcb-0d5a-43eb-a9f7-7a90c8640e0d&ie=UTF8&qid=1522075375&sr=2). First Sales Date: Nov. 23, 2017.

Teething Mitten, Seller S-World Kee, Amazon website: [https://www.amazon.com/Silicone-S-World-Kee-Teething-Self-Soothing/dp/B07785JN16/ref=sr\\_1\\_29\\_s\\_it?s=baby-products&ie=UTF8&qid=1522075375&sr=1-29&keywords=teething+mitten](https://www.amazon.com/Silicone-S-World-Kee-Teething-Self-Soothing/dp/B07785JN16/ref=sr_1_29_s_it?s=baby-products&ie=UTF8&qid=1522075375&sr=1-29&keywords=teething+mitten). First Sales Date: Nov. 22, 2017.

\* cited by examiner



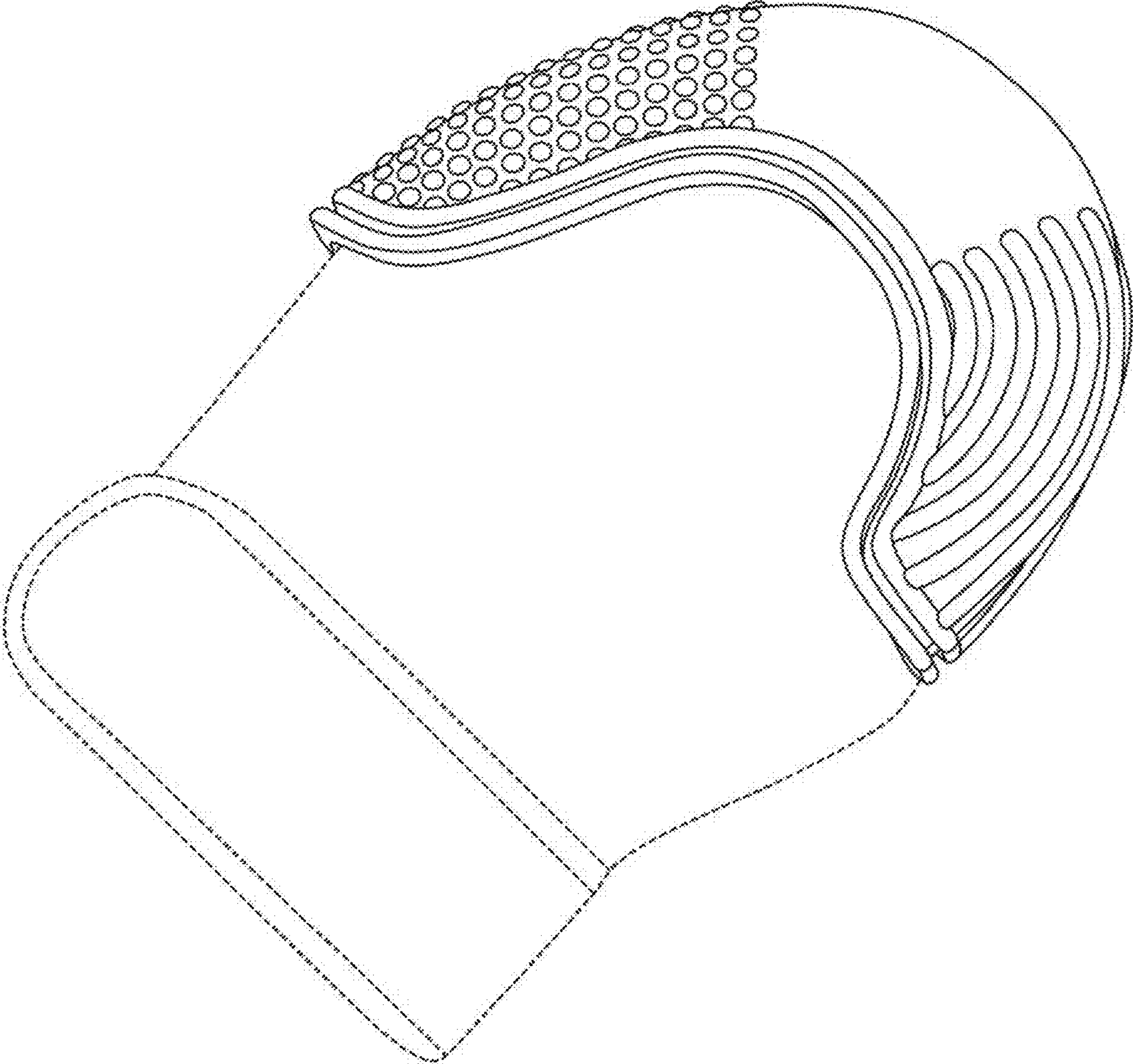


Fig. 1

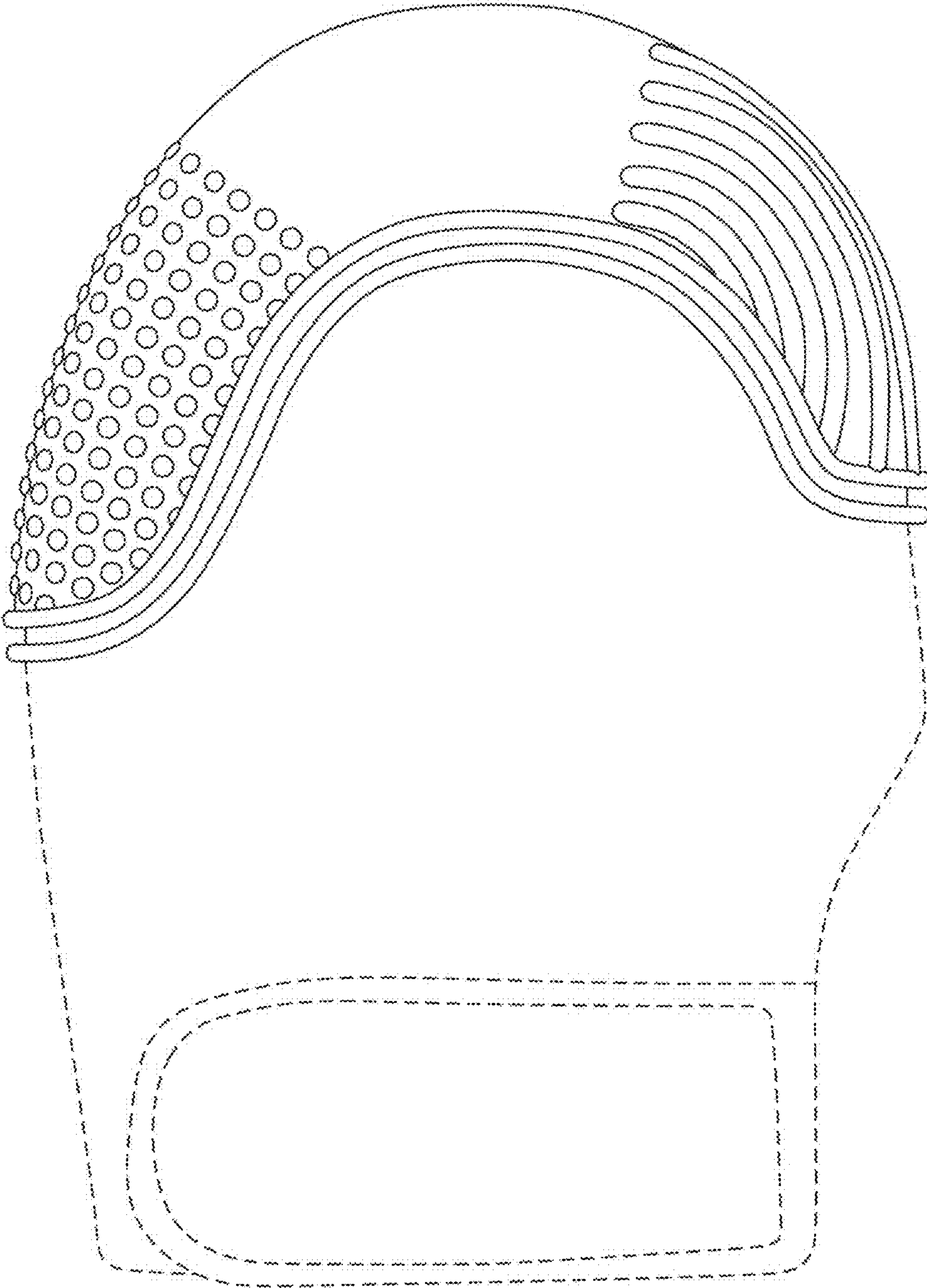


Fig. 2

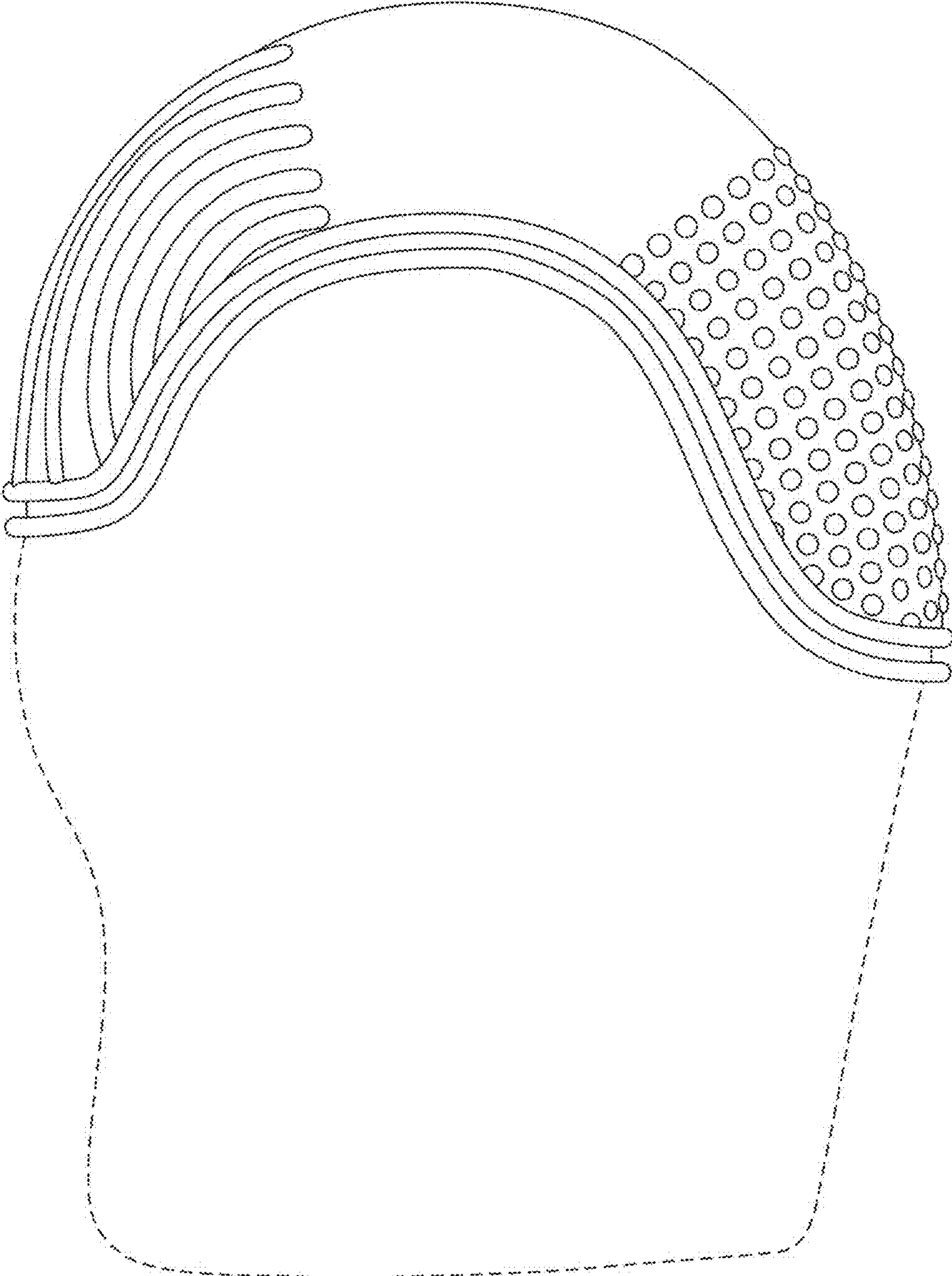


Fig. 3

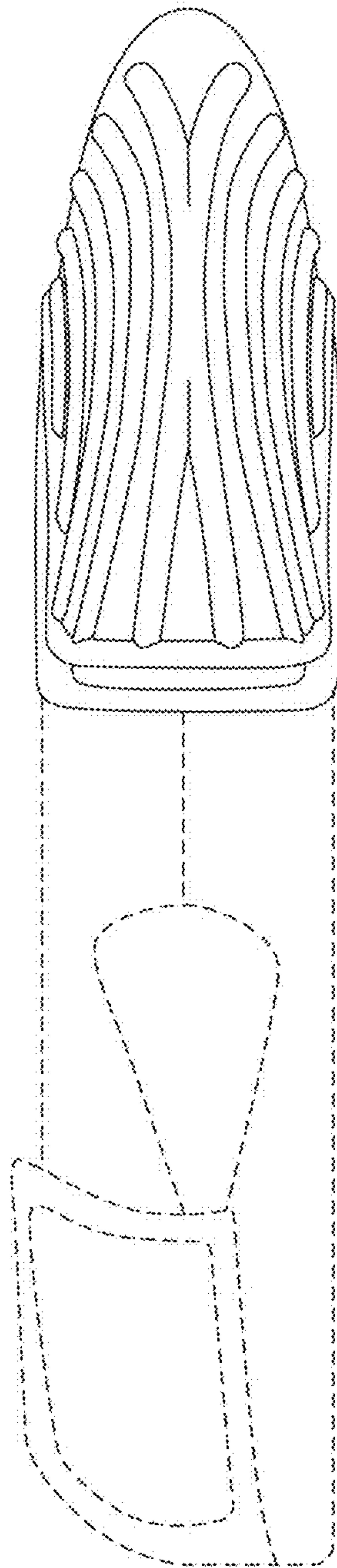


Fig. 4



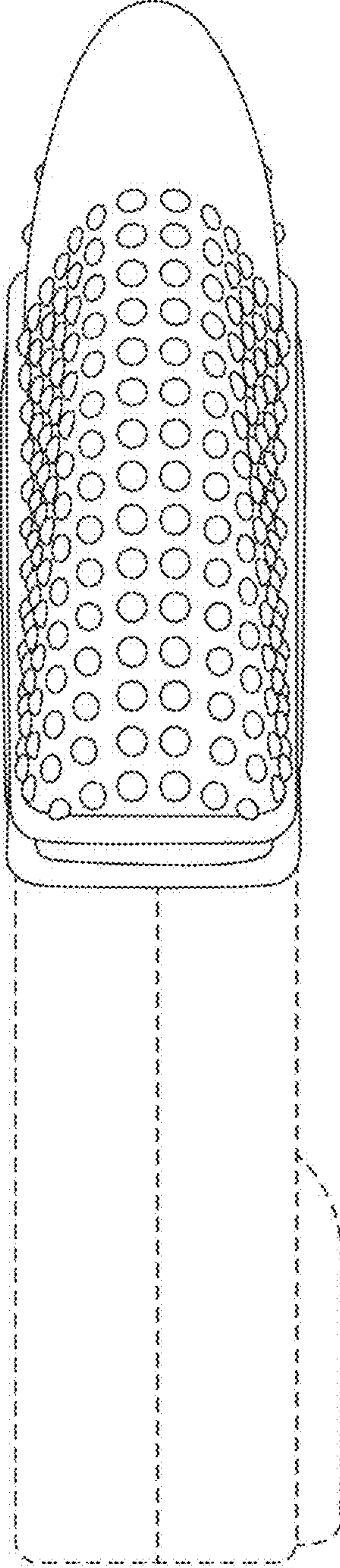


Fig. 5

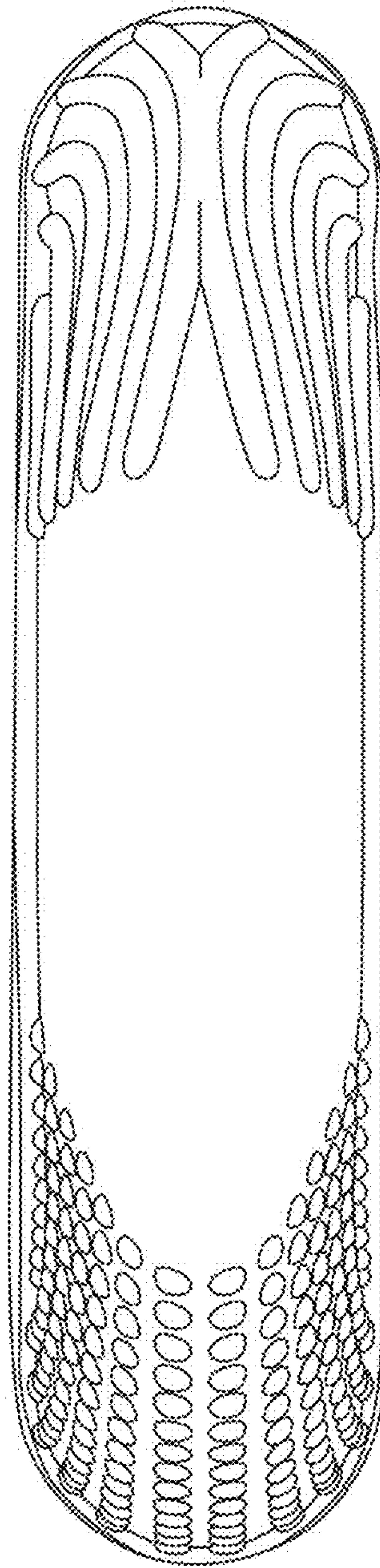


Fig. 6



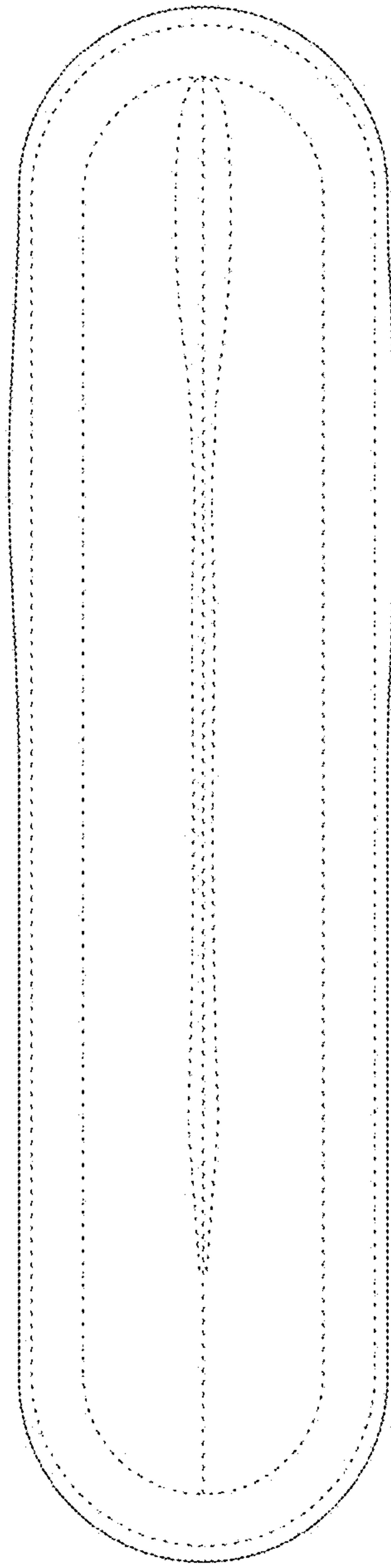


Fig. 7