



US00D874785S

(12) **United States Design Patent**
Kenney

(10) **Patent No.:** **US D874,785 S**

(45) **Date of Patent:** **** Feb. 4, 2020**

- (54) **MAILBOX COVER WITH POST**
- (71) Applicant: **Andrew Joseph Kenney**, Sarasota, FL (US)
- (72) Inventor: **Andrew Joseph Kenney**, Sarasota, FL (US)
- (**) Term: **15 Years**
- (21) Appl. No.: **29/631,675**
- (22) Filed: **Jan. 2, 2018**
- (51) **LOC (12) Cl.** **99-00**
- (52) **U.S. Cl.**
USPC **D99/32**
- (58) **Field of Classification Search**
USPC D99/28, 29, 30, 31, 32, 43, 99; 312/35; 232/1 R, 1 A, 1 C, 1 D, 4 R, 2, 17, 18, 232/20, 21, 22, 24, 27, 30, 31, 37, 38, 39, 232/44, 45
CPC A47G 29/12; A47G 29/1201; A47G 29/1203; A47G 29/1205; A47G 29/1207; A47G 29/1209; A47G 29/121; A47G 29/1212; A47G 29/1214; A47G 29/1216; A47G 29/1218; A47G 29/122; A47G 29/1225; A47G 29/16; A47G 29/00
See application file for complete search history.

(56) **References Cited**

U.S. PATENT DOCUMENTS

D196,467 S *	10/1963	Alley	D99/29
D263,514 S *	3/1982	Paparella	D99/29
4,755,915 A *	7/1988	Rogers	A47G 29/1209 362/155
4,813,595 A *	3/1989	Johns, Jr.	A47G 29/1209 232/17
D305,824 S *	1/1990	Carter	D99/29
D315,821 S *	3/1991	Lorenzi	D99/29
5,449,111 A *	9/1995	Sauzedde	A47G 29/1209 232/17

5,664,729 A *	9/1997	Ladewig	A47G 29/1209 232/39
D385,676 S *	10/1997	Childress	D99/29
D385,680 S *	10/1997	Cacciola	D99/29
D390,328 S *	2/1998	Barton, Jr.	D99/29
D398,134 S *	9/1998	Taylor	D99/29
D411,752 S *	6/1999	Davis	D99/29
D413,704 S *	9/1999	Metchea, III	D99/29
D452,358 S *	12/2001	Lackey	D99/29
D476,791 S *	7/2003	South	D99/29
D477,449 S *	7/2003	South	D99/29
D477,450 S *	7/2003	South	D99/29
D482,178 S *	11/2003	South	D99/29
D482,179 S *	11/2003	South	D99/29
D488,908 S *	4/2004	Hradisky	D99/29
D493,937 S *	8/2004	Dillilo	D99/29
D497,465 S *	10/2004	Hradisky	D99/29

(Continued)

Primary Examiner — Elizabeth J Oswecki

(57) **CLAIM**

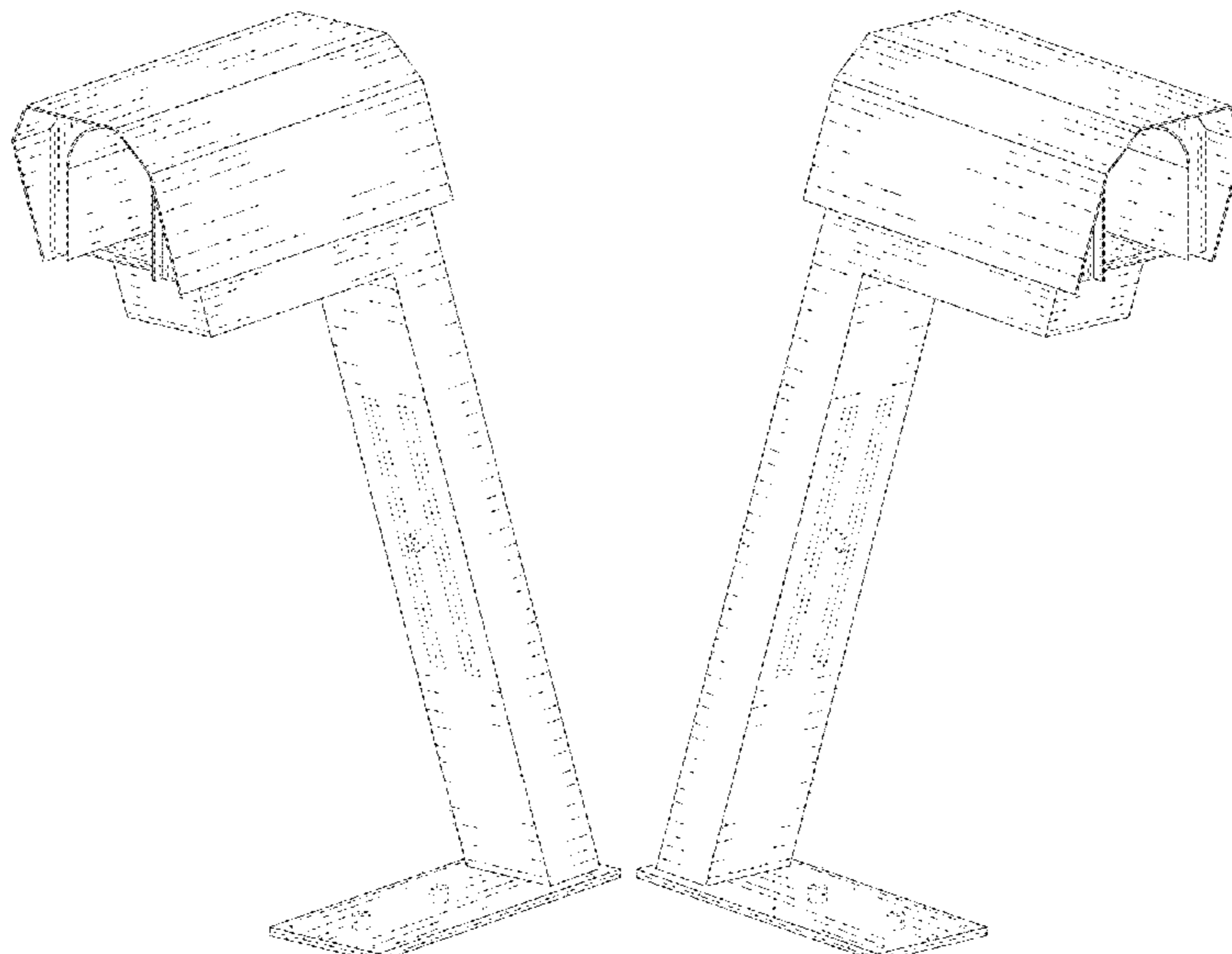
The ornamental design for a mailbox cover with post, as shown and described.

DESCRIPTION

FIG. 1 is a top right perspective view of a mailbox cover with post showing my new design;
 FIG. 2 is a top left perspective view thereof;
 FIG. 3 is a bottom left perspective view thereof;
 FIG. 4 is a front view thereof;
 FIG. 5 is a back view thereof;
 FIG. 6 is a top view thereof;
 FIG. 7 is a bottom view thereof;
 FIG. 8 is a left view thereof;
 FIG. 9 is a right view thereof; and,
 FIG. 10 is a cross sectional view taken along line 10-10 in FIG. 8.

The broken lines shown in the drawings represent portions of the mailbox cover with post that form no part of the claimed design.

1 Claim, 10 Drawing Sheets



(56)

References Cited

U.S. PATENT DOCUMENTS

D499,225	S	*	11/2004	Taylor	D99/29
D503,844	S	*	4/2005	Taylor	D99/32
D580,624	S	*	11/2008	Bowers	D99/29
D589,675	S	*	3/2009	McFadden	D99/32
D590,125	S	*	4/2009	Waters	D99/32
D727,590	S	*	4/2015	Rogerson	D99/32
D739,114	S	*	9/2015	Buttecali	D99/32
D739,115	S	*	9/2015	Kelly	D99/32
D739,640	S	*	9/2015	Buttecali	D99/32
D765,940	S	*	9/2016	Buttecali	D99/32

* cited by examiner

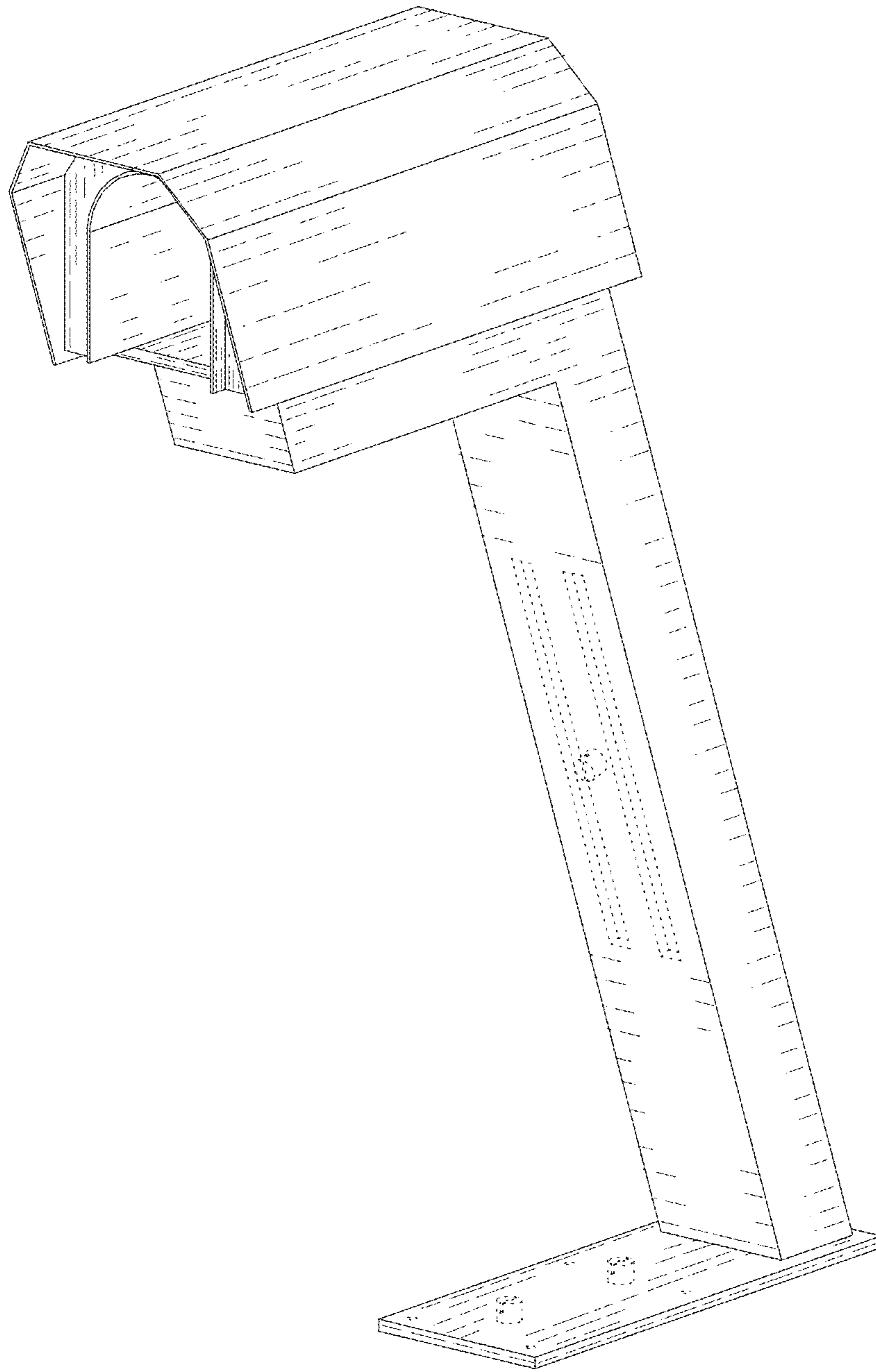


FIG. 1

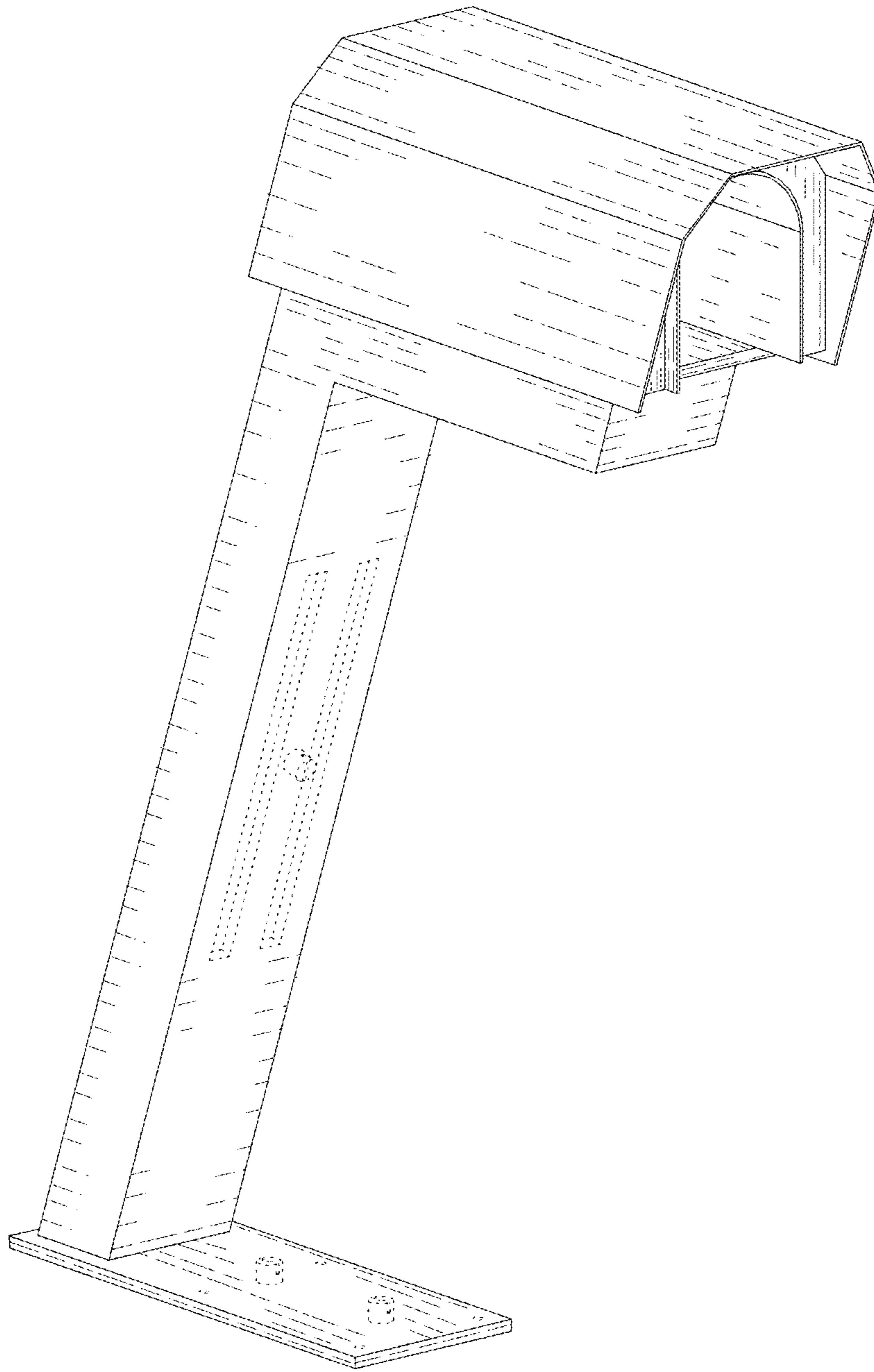


FIG. 2

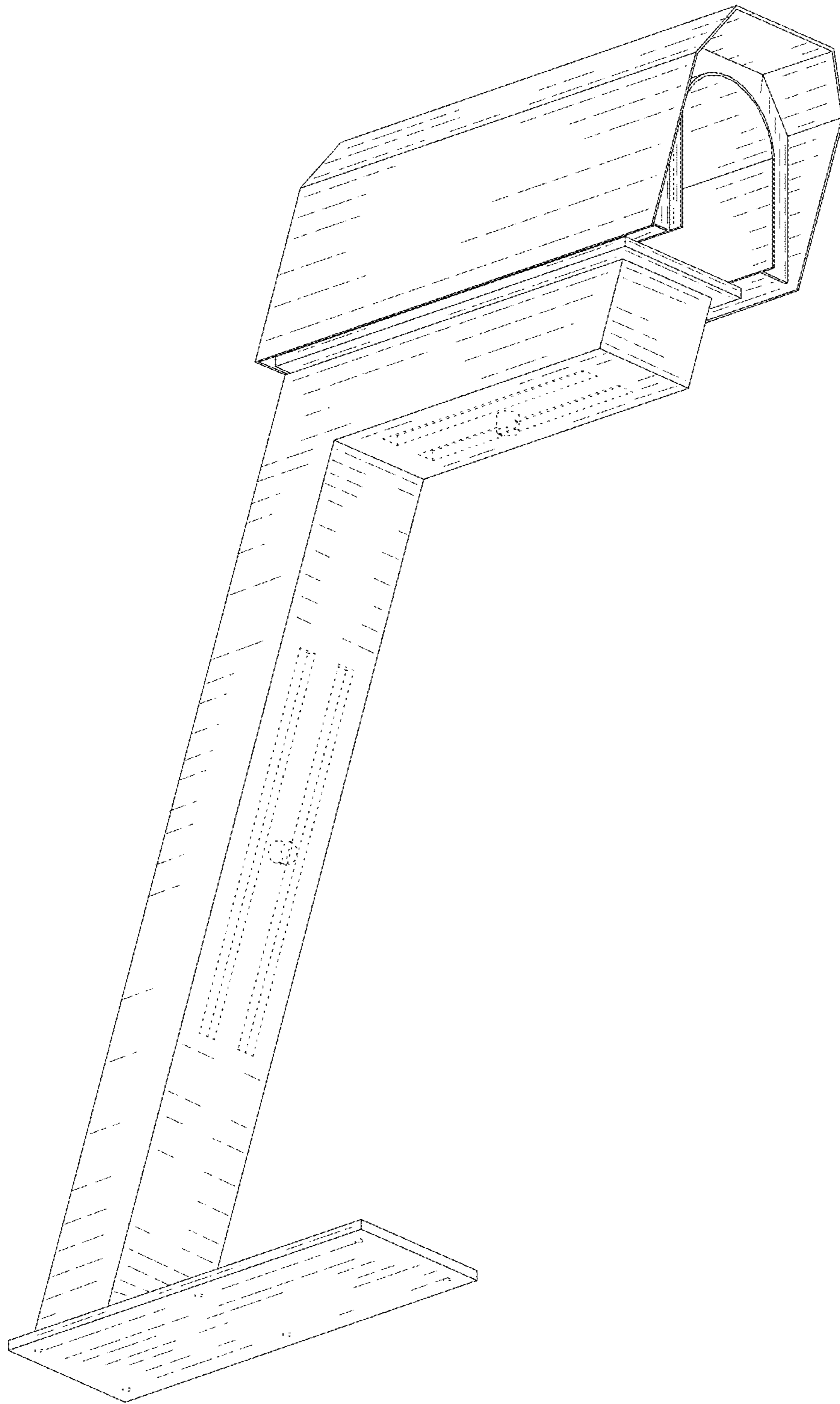


FIG. 3

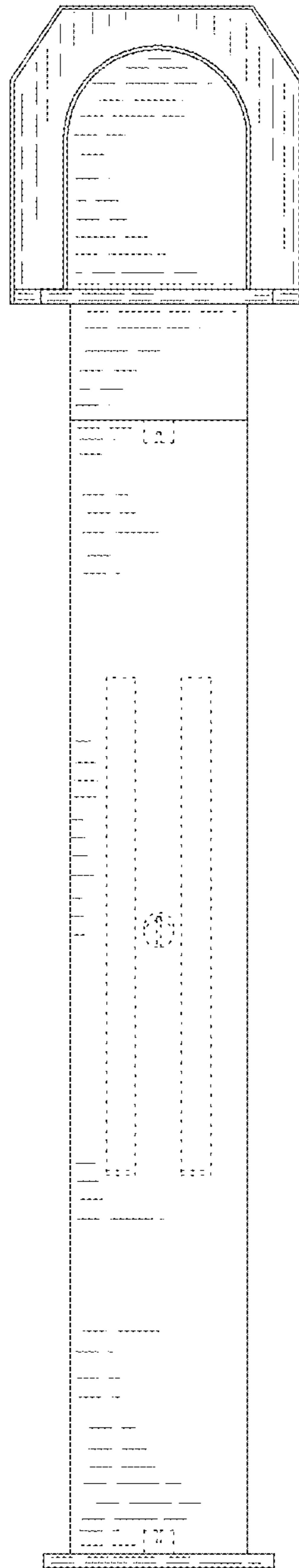


FIG. 4

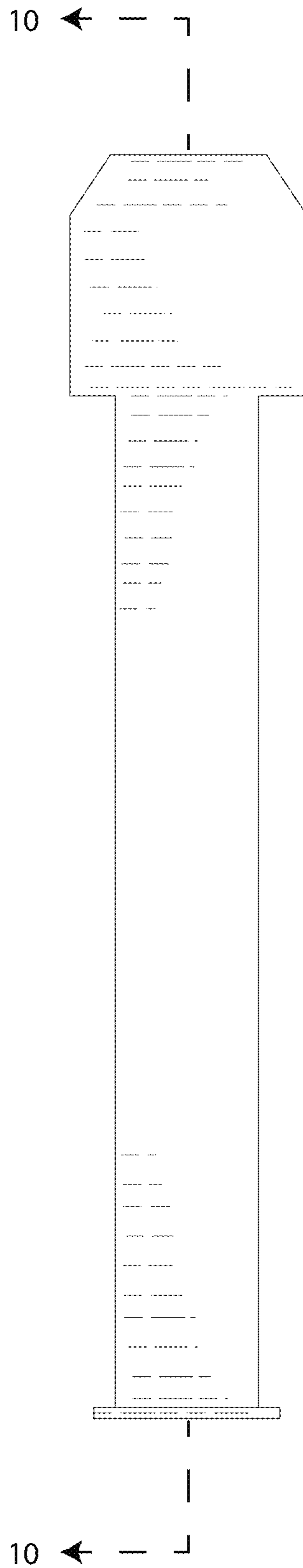


FIG. 5

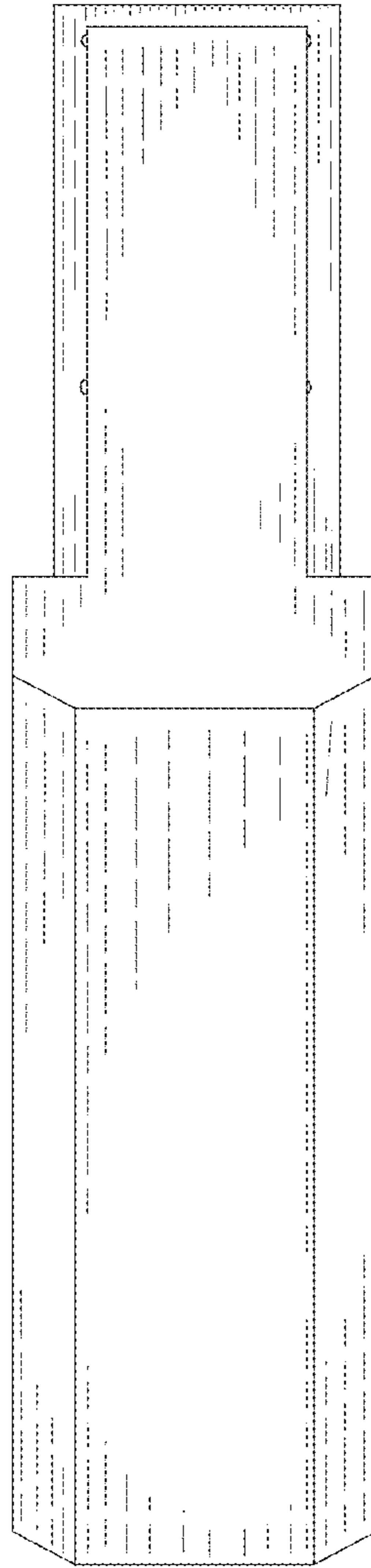


FIG. 6

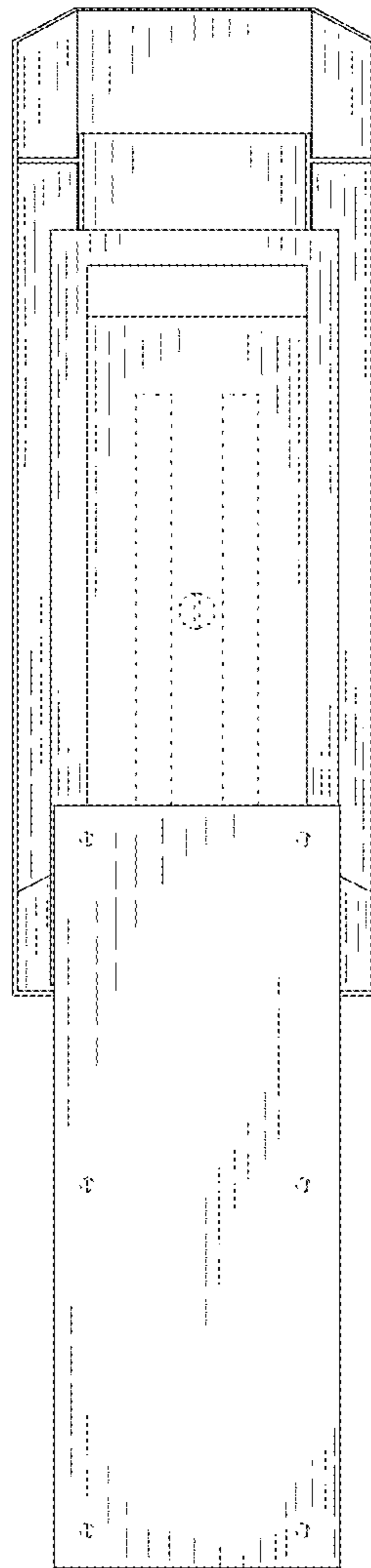


FIG. 7

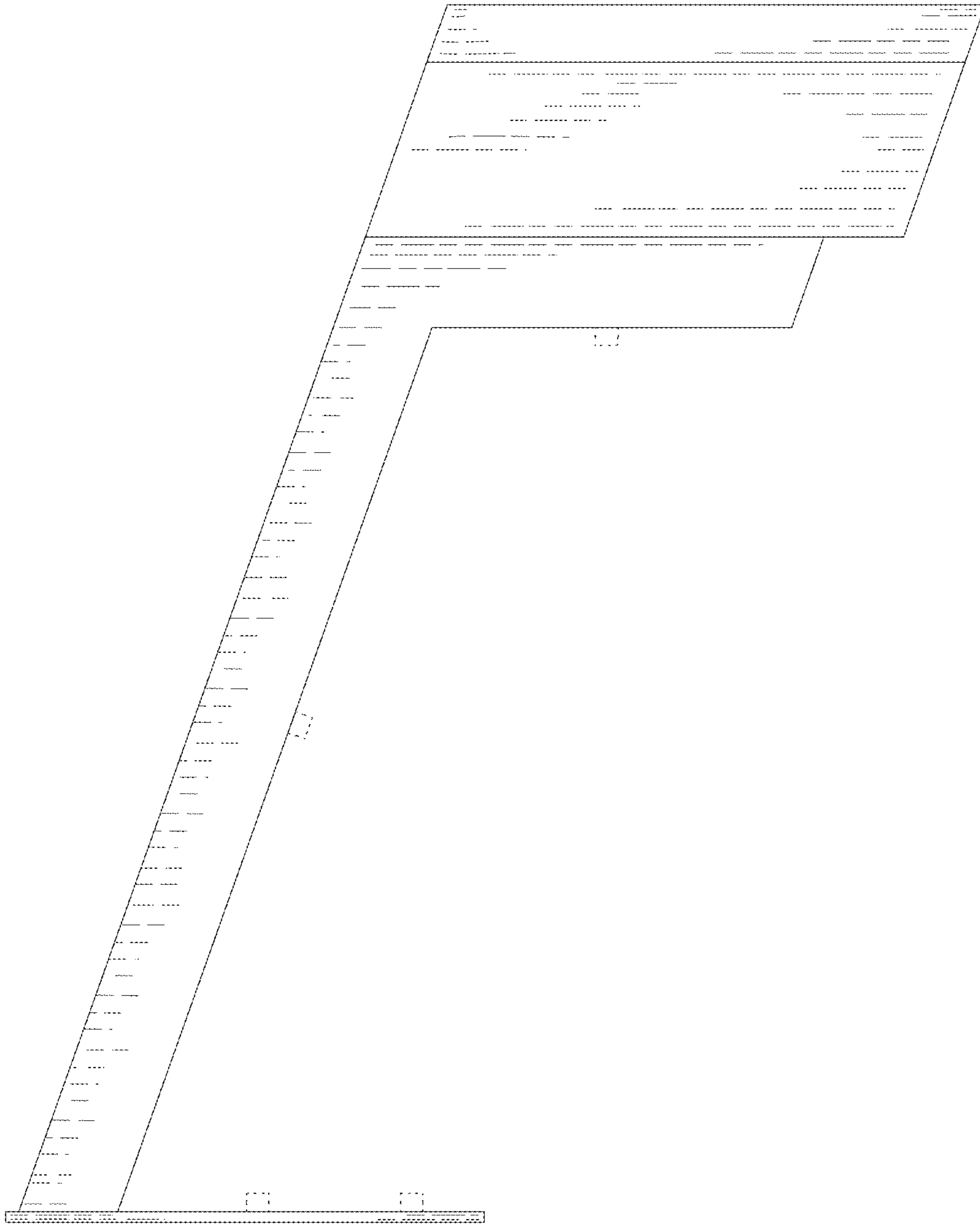


FIG. 8

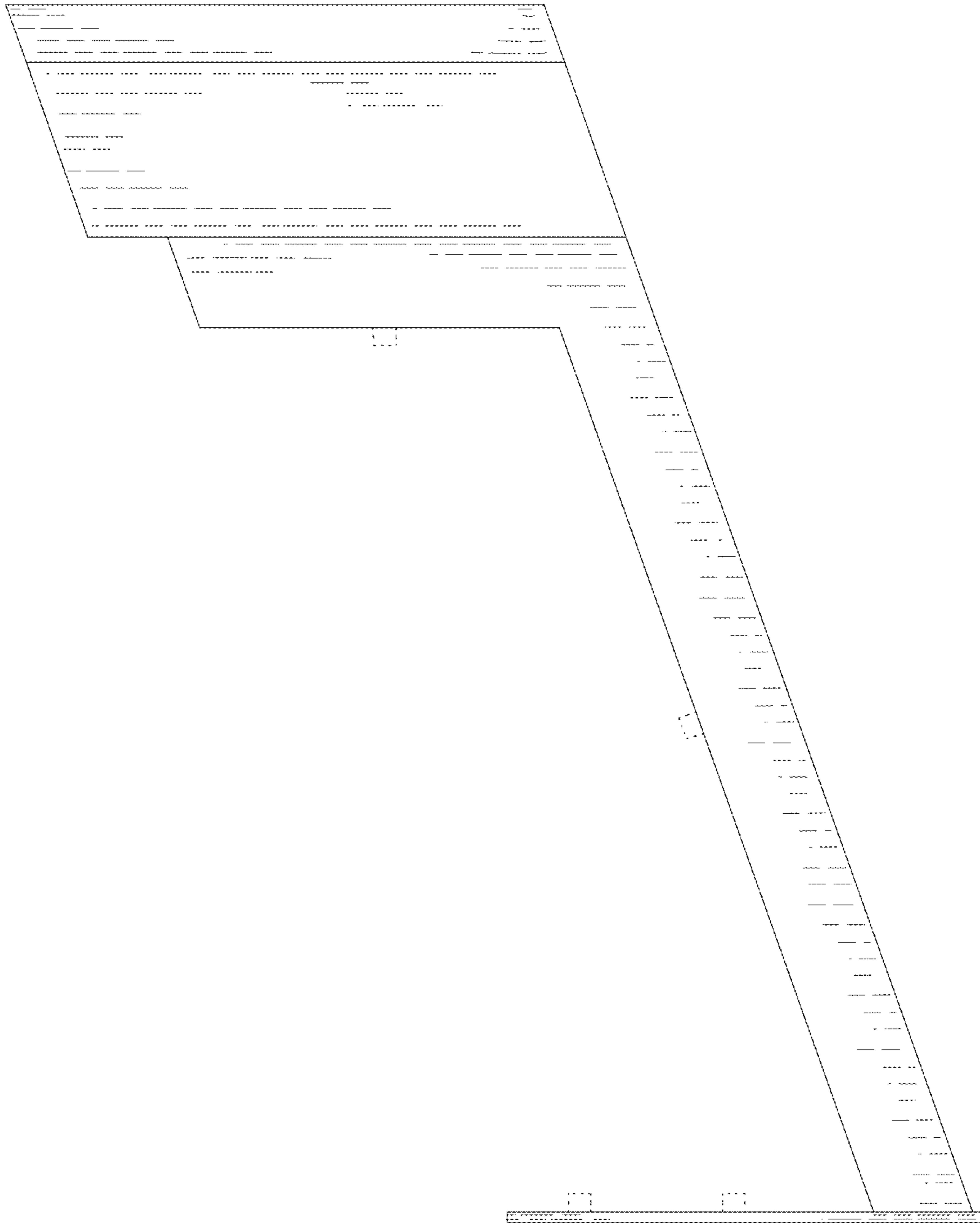


FIG. 9

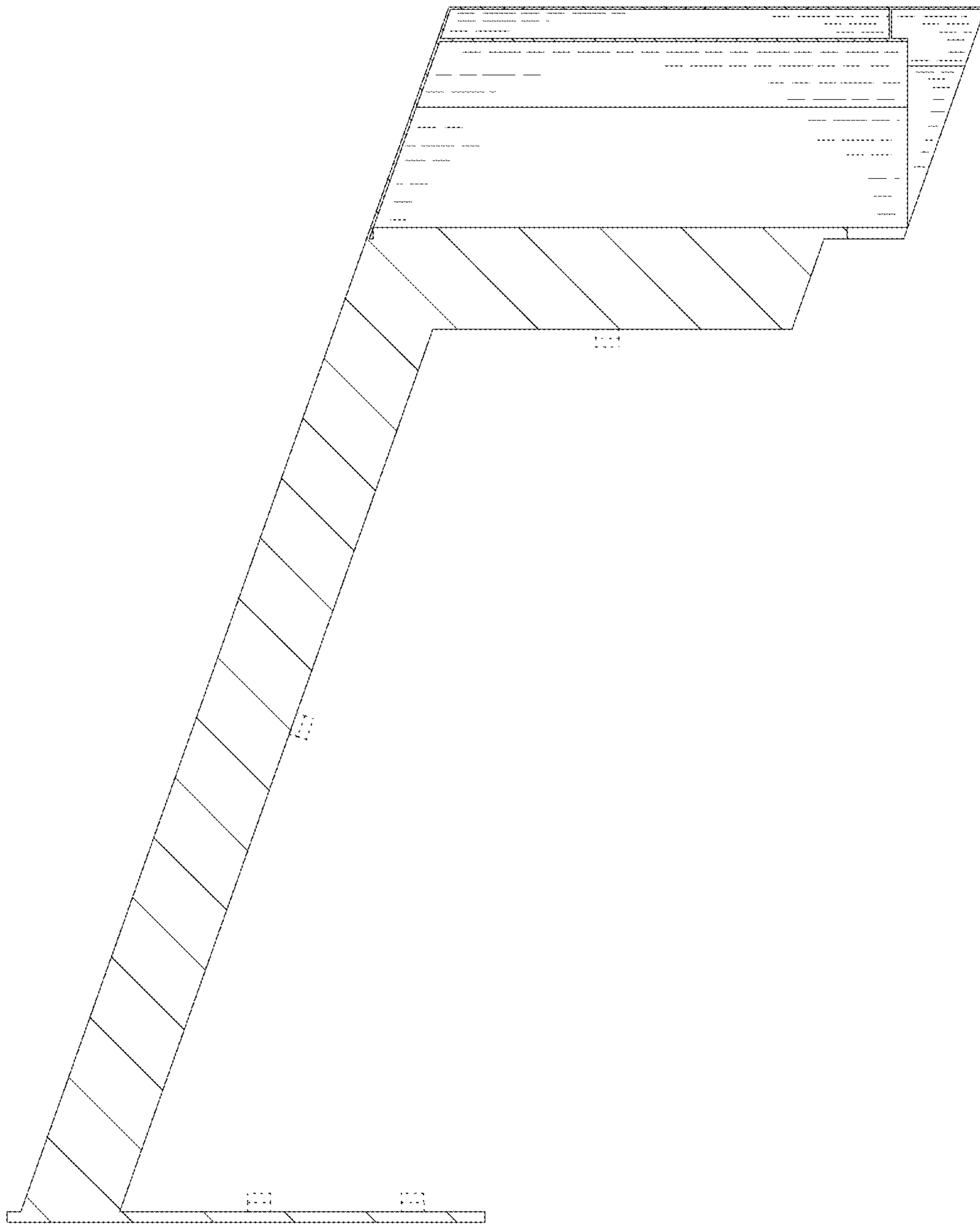


FIG. 10