



US00D874781S

(12) **United States Design Patent**
Lin

(10) **Patent No.:** **US D874,781 S**
(45) **Date of Patent:** **** Feb. 4, 2020**

- (54) **FLOOR JACK**
- (71) Applicant: **Pull'r Holding Company, LLC**,
Schaumburg, IL (US)
- (72) Inventor: **Puo-Chun Lin**, Schaumburg, IL (US)
- (73) Assignee: **Pull'r Holding Company, LLC**,
Schaumburg, IL (US)
- (**) Term: **15 Years**
- (21) Appl. No.: **29/626,651**
- (22) Filed: **Nov. 17, 2017**

4,656,879 A * 4/1987 You B66F 5/04
254/93 H
D295,799 S * 5/1988 Hung D34/31
4,850,568 A * 7/1989 Hung B66F 5/04
254/8 B
4,964,617 A * 10/1990 Lawrence B66F 5/04
254/133 R
D319,131 S * 8/1991 Smeitink D34/12
D332,337 S * 1/1993 Wang D34/31
D358,923 S 5/1995 Hawkins
5,462,257 A * 10/1995 Trowbridge B66F 5/00
254/1
D364,026 S * 11/1995 Hung D34/31
(Continued)

Primary Examiner — Cynthia Ramirez
Assistant Examiner — Michael A Maharajh
(74) *Attorney, Agent, or Firm* — Cherskov Flaynik &
Gurda, LLC

Related U.S. Application Data

- (63) Continuation-in-part of application No. 29/574,117,
filed on Aug. 12, 2016, now Pat. No. Des. 806,344.

Foreign Application Priority Data

Jul. 12, 2016 (CN) 2016 3 0317785

- (51) **LOC (12) Cl.** **12-05**
- (52) **U.S. Cl.**
USPC **D34/31**
- (58) **Field of Classification Search**
USPC 254/11, 12, 15, 120, 134, 2 R, 418, 45,
254/84, 88, 8 R, 93 H, 93 R; D34/28, 31,
D34/35; D8/499
CPC B66F 1/00; B66F 1/06; B66F 3/00; B66F
5/00
See application file for complete search history.

References Cited

U.S. PATENT DOCUMENTS

- D245,493 S * 8/1977 Kenig D34/31
- D263,128 S * 2/1982 Glover, Jr. D34/31
- D284,417 S * 6/1986 Yamagishi D34/31
- D285,855 S * 9/1986 Persson D34/31

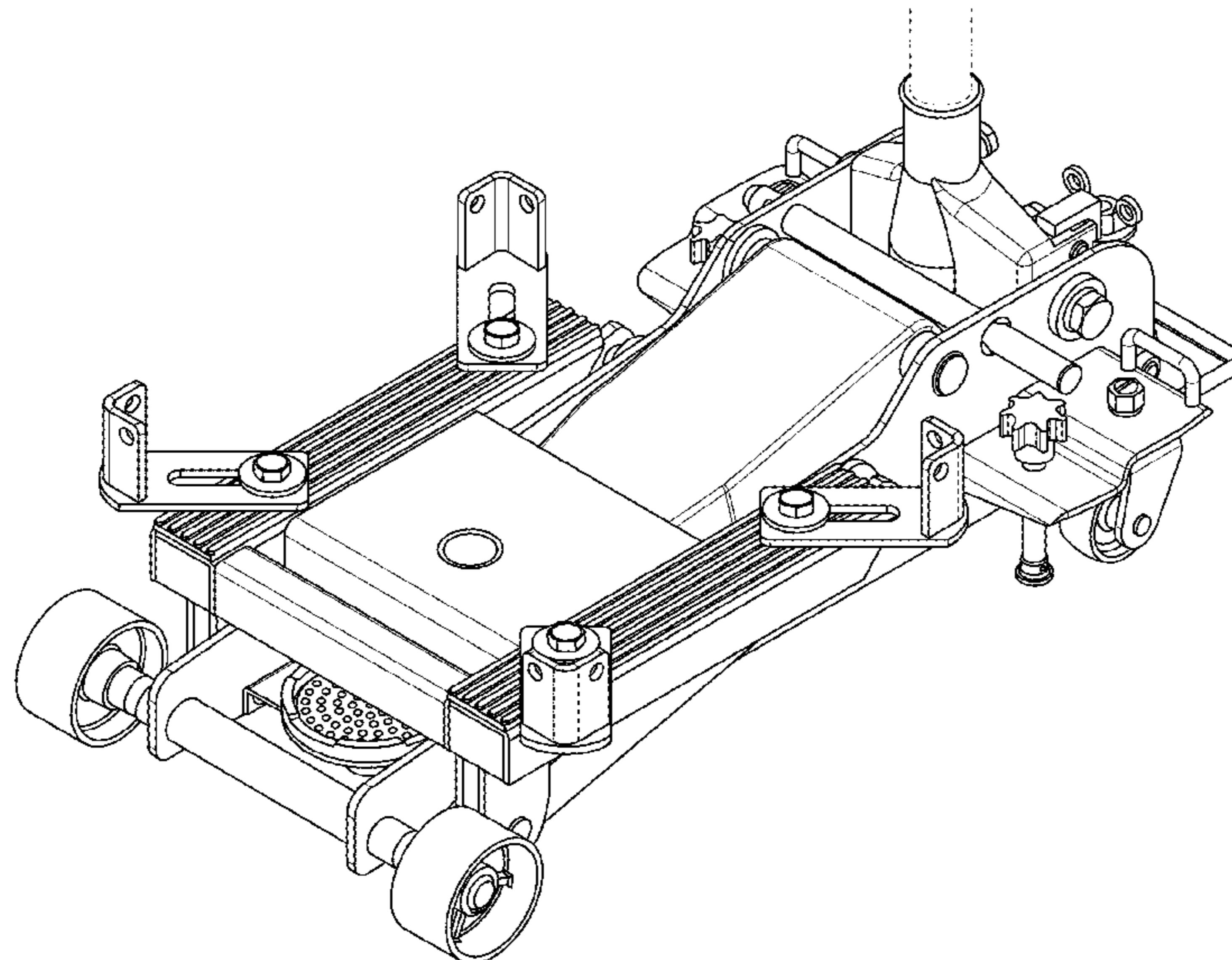
(57) **CLAIM**

The ornamental design for a floor jack, as shown and described.

DESCRIPTION

FIG. 1 is a front, perspective view of a floor jack showing my new design;
FIG. 2 is a right elevational view thereof, with the clips removed and placed behind the handle for convenience of illustration;
FIG. 3 is a left elevational view of FIG. 1;
FIG. 4 is a front elevational view of FIG. 1;
FIG. 5 is a rear elevational view of FIG. 1;
FIG. 6 is a top plan view of FIG. 1;
FIG. 7 is a bottom plan view of FIG. 1; and,
FIG. 8 is a rear perspective view of FIG. 2.
The broken lines in the figures are for the purpose of illustrating a handle and form no part of the claim. The broken lines showing the handle are for the purpose of illustrating a portion of the floor jack and form no part of the claim.

1 Claim, 8 Drawing Sheets



US D874,781 S

(56)

References Cited

U.S. PATENT DOCUMENTS

5,551,668 A * 9/1996 Hung B66F 5/04
 254/8 B
 D388,926 S * 1/1998 Sorensen D34/31
 D398,730 S * 9/1998 Lin D34/31
 D416,370 S * 11/1999 Hung D34/31
 6,000,681 A * 12/1999 Hussaini B66F 3/38
 254/101
 D421,516 S * 3/2000 Hung D34/31
 D423,750 S * 4/2000 Hung D34/31
 D433,207 S * 10/2000 Liu D34/31
 D442,345 S * 5/2001 Lee D34/31
 D444,606 S * 7/2001 Hsu D34/31
 D452,597 S 12/2001 Hung
 D453,983 S * 2/2002 Lin D34/31
 D454,419 S * 3/2002 Lee D34/31
 6,357,724 B1 * 3/2002 Hung B66F 5/00
 254/8 B
 6,375,160 B1 * 4/2002 Hung B66F 5/00
 254/133 R
 6,505,816 B1 * 1/2003 Hung B66F 5/04
 254/2 R
 D480,196 S 9/2003 Hsu
 D485,039 S * 1/2004 Hussaini D34/31
 6,676,096 B2 * 1/2004 Hung B66F 5/00
 248/231.81
 D488,906 S * 4/2004 Tatsumi D34/31
 6,722,634 B1 * 4/2004 Hsu B66F 5/04
 254/2 R
 6,986,503 B2 * 1/2006 Arzouman B66F 1/08
 254/2 B
 D537,225 S * 2/2007 Hernandez D34/31
 D538,502 S * 3/2007 Hernandez D34/31
 7,413,169 B2 * 8/2008 Arzouman B66F 5/04
 254/134
 D579,167 S 10/2008 Lin
 7,431,265 B2 * 10/2008 Yueh B66F 5/04
 254/2 B
 7,434,782 B2 * 10/2008 Arzouman B66F 5/04
 254/134
 7,434,783 B2 * 10/2008 Arzouman B66F 5/04
 254/134
 D582,623 S 12/2008 Qian

D590,121 S 4/2009 Shen
 D590,569 S * 4/2009 Arzouman D34/31
 D590,570 S * 4/2009 Arzouman D34/31
 7,588,341 B2 * 9/2009 Lin A47G 19/2227
 254/45
 D604,025 S * 11/2009 Lin D34/31
 7,637,479 B2 * 12/2009 Lautzenhiser F04B 9/14
 254/2 B
 7,648,121 B2 * 1/2010 Arzouman B66F 5/04
 254/134
 7,703,747 B2 * 4/2010 Arzouman B66F 5/04
 254/134
 D625,073 S 10/2010 Hernandez
 D628,760 S * 12/2010 Fox D34/31
 7,845,614 B2 * 12/2010 Liu B60B 33/0002
 248/129
 D638,193 S * 5/2011 Kania D34/31
 8,376,319 B2 * 2/2013 Chen B66F 5/04
 254/10 B
 D682,501 S * 5/2013 Shen D34/31
 8,448,921 B2 * 5/2013 Hernandez B66F 5/04
 254/10 B
 D688,845 S 8/2013 Hernandez
 8,500,095 B1 * 8/2013 Salcedo B66F 5/025
 254/101
 8,632,055 B2 * 1/2014 Lee B66F 5/04
 254/1
 D720,514 S * 12/2014 Fox D34/31
 D720,914 S * 1/2015 Fox D34/31
 D720,915 S * 1/2015 Fox D34/31
 D730,612 S * 5/2015 James D34/31
 9,022,356 B2 * 5/2015 Flournoy B66F 13/00
 254/134
 D737,537 S * 8/2015 Arzouman D34/31
 D756,055 S 5/2016 Michas
 D764,736 S 8/2016 Fox
 D776,897 S * 1/2017 Fox D34/31
 D799,142 S * 10/2017 Fox D34/31
 D801,617 S * 10/2017 Fox D34/31
 D806,344 S * 12/2017 Lin D34/31
 D823,569 S * 7/2018 Fox D34/31
 D827,242 S * 8/2018 Wang D34/31
 D835,378 S * 12/2018 Huang D34/31
 D842,578 S * 3/2019 Brown D34/31

* cited by examiner

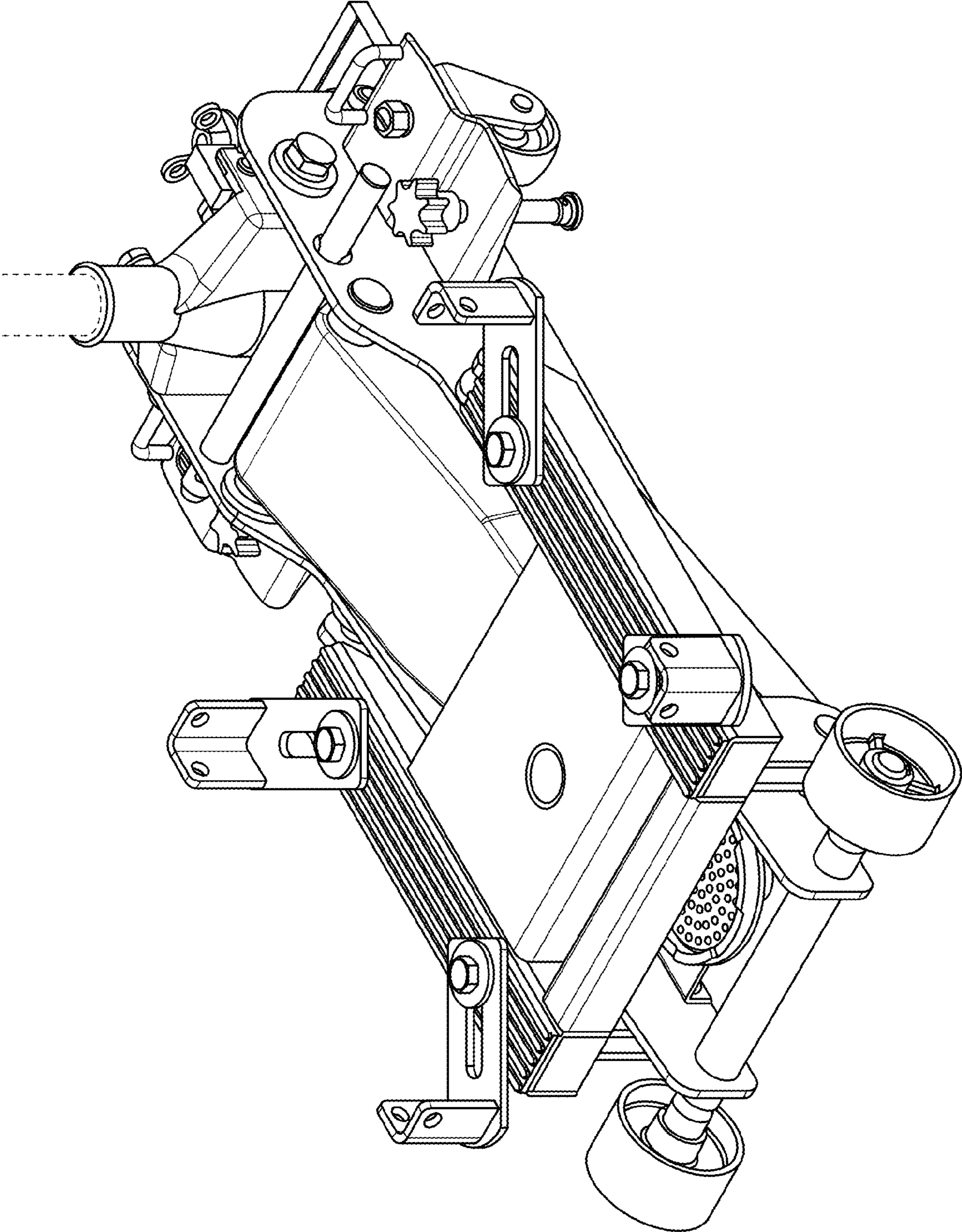


FIG. 1

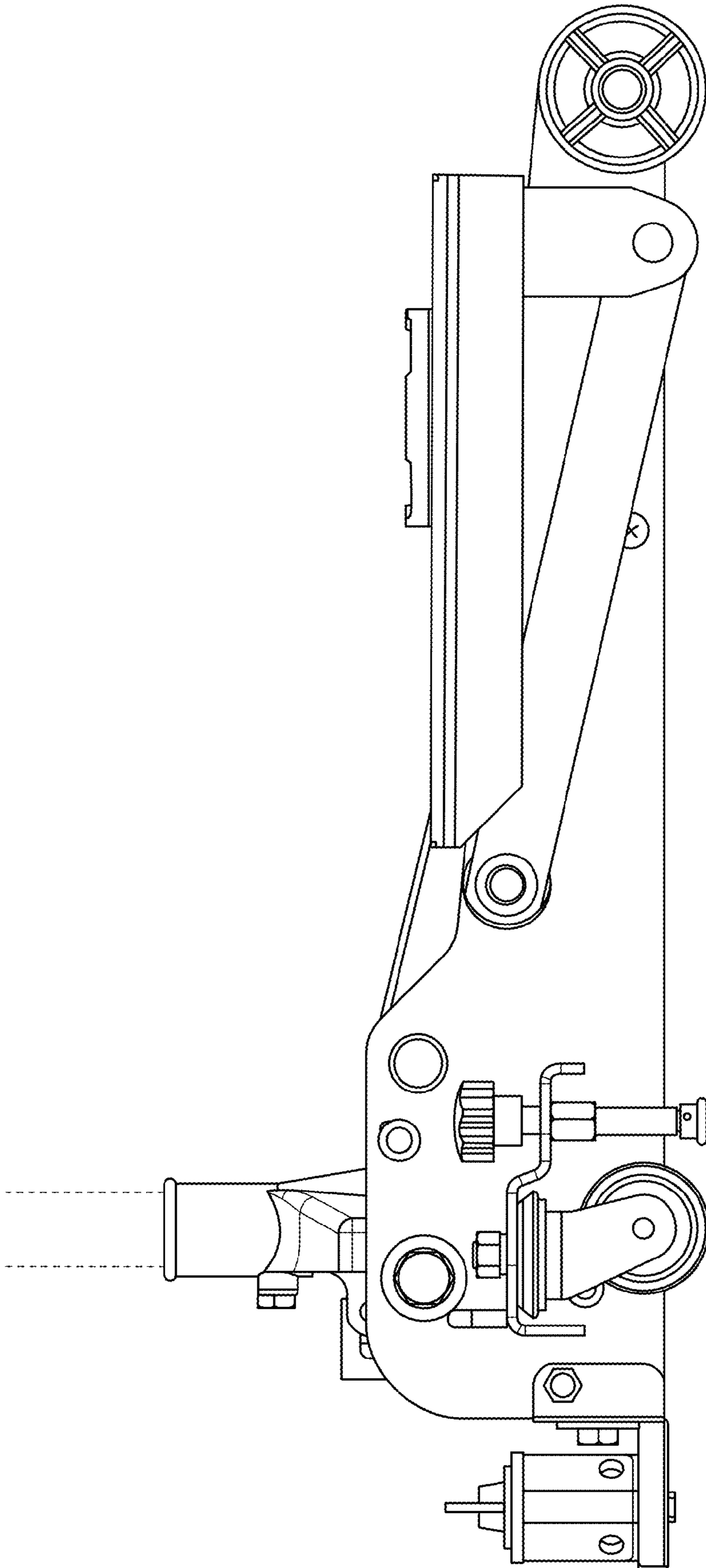


FIG. 2

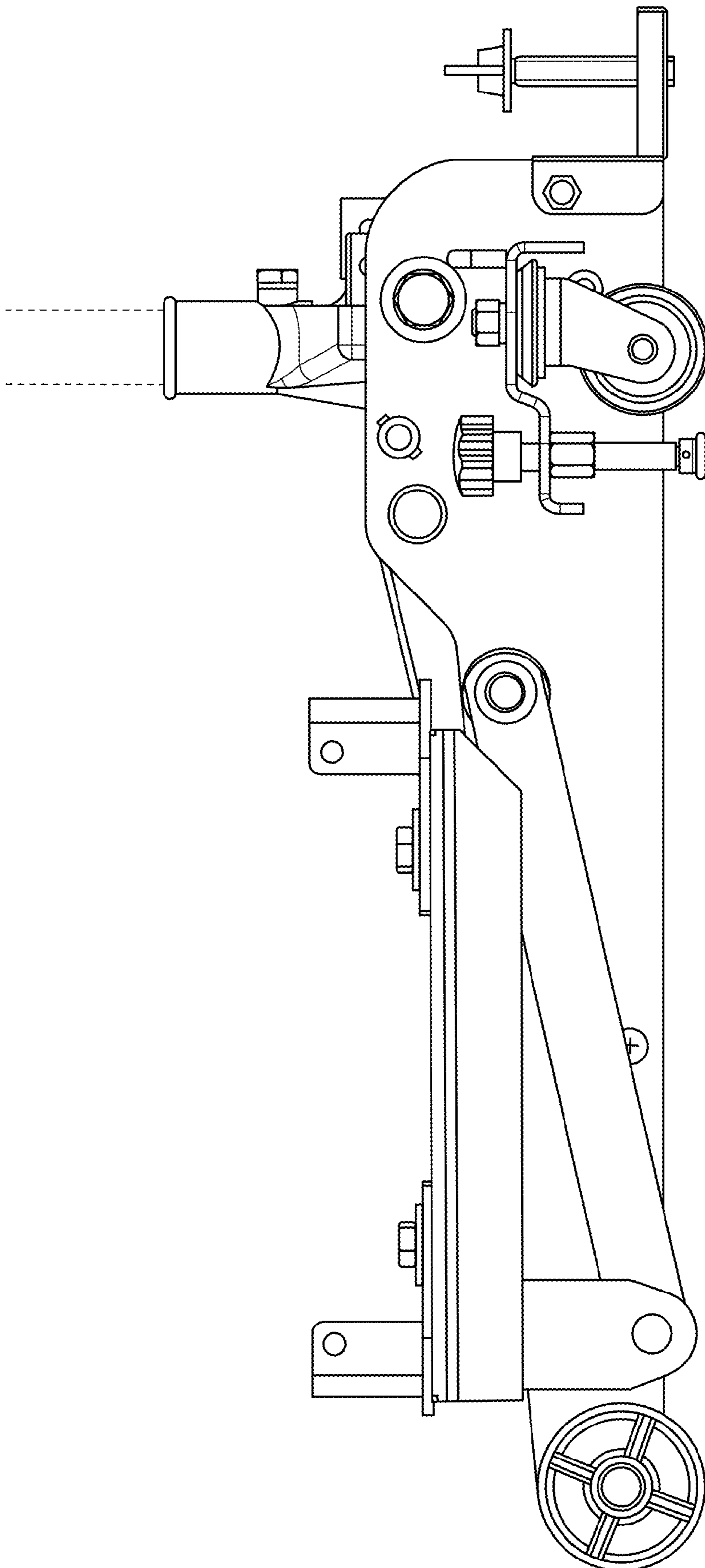


FIG. 3

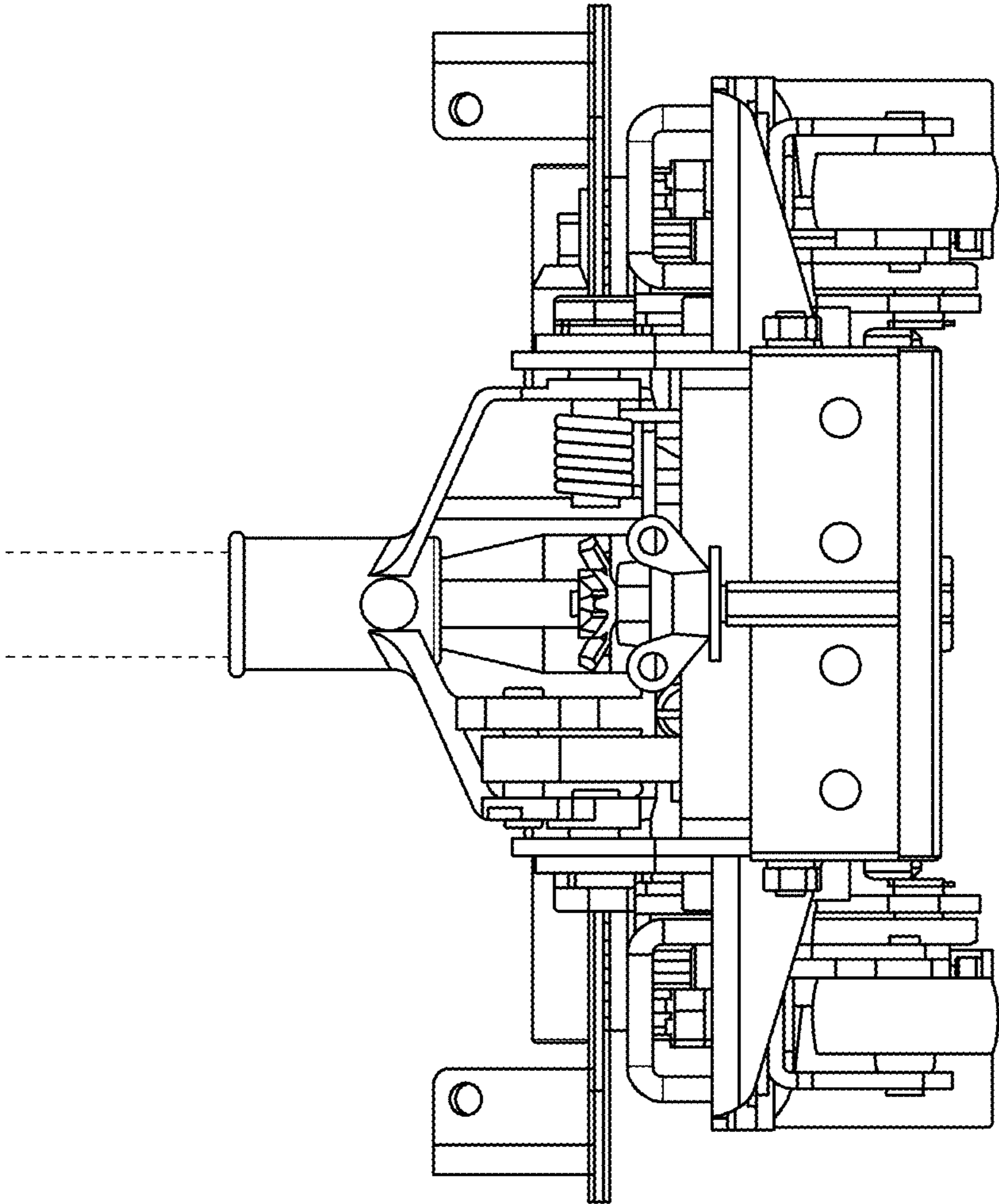


FIG. 4

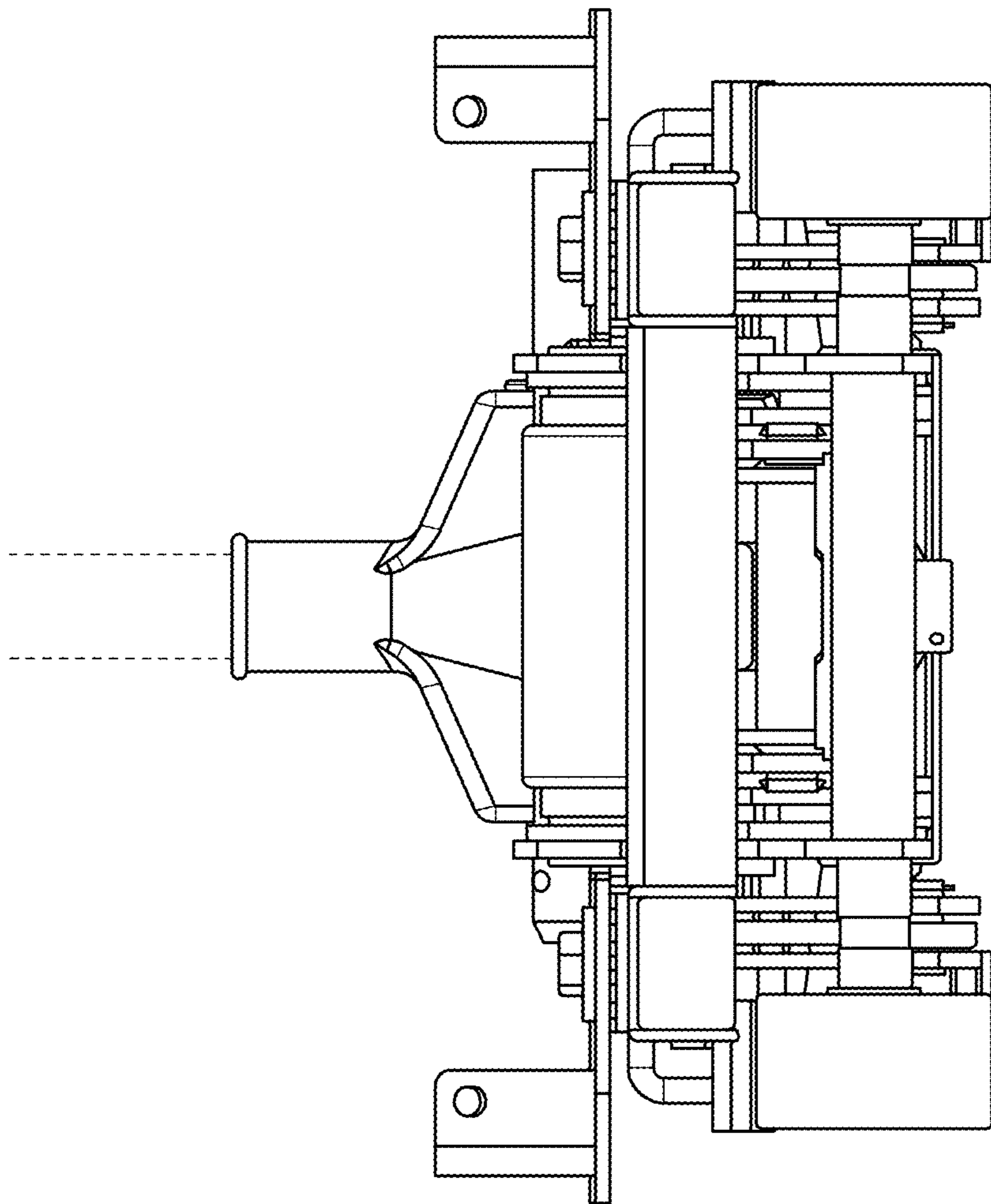


FIG. 5

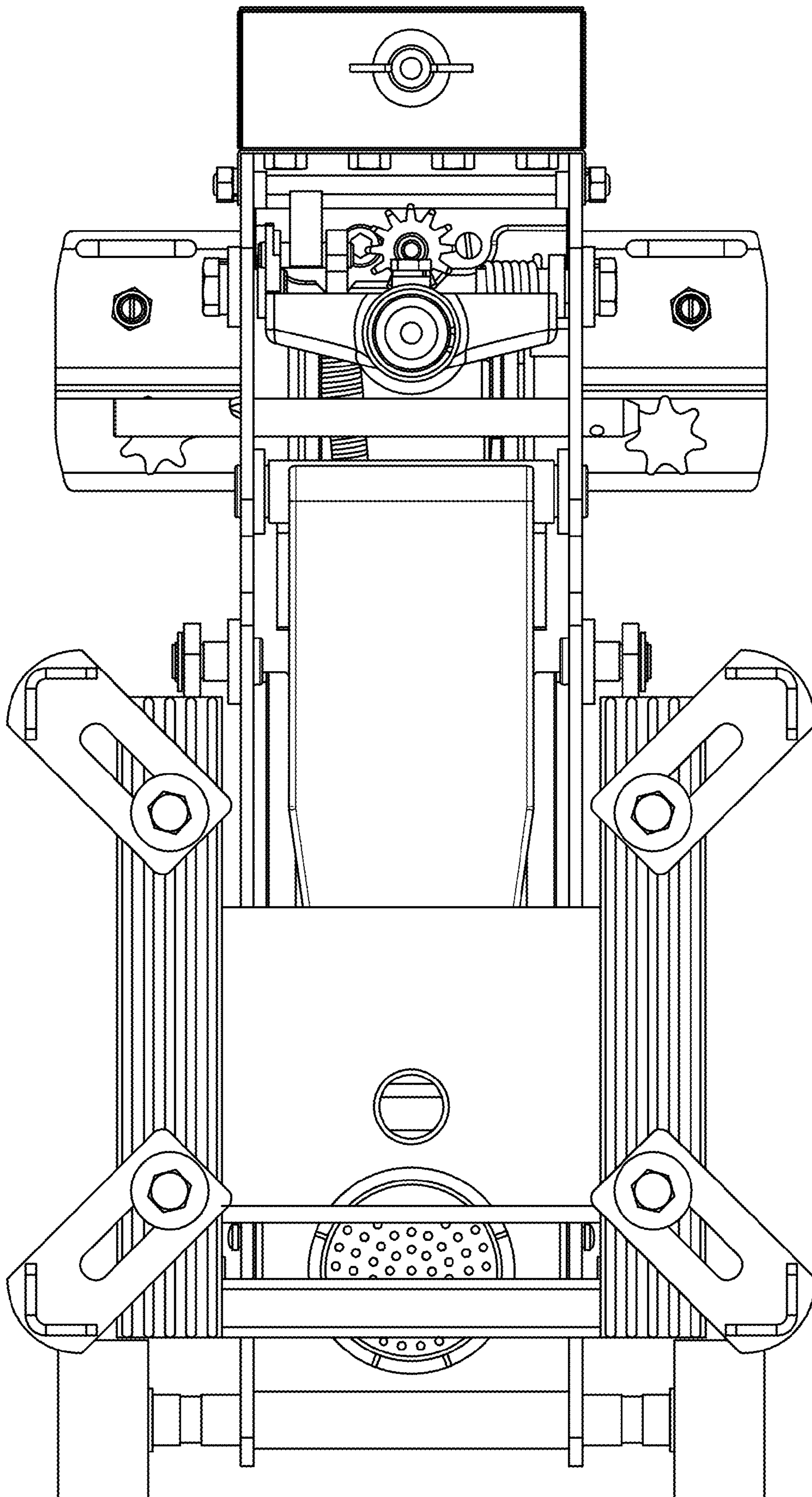


FIG. 6

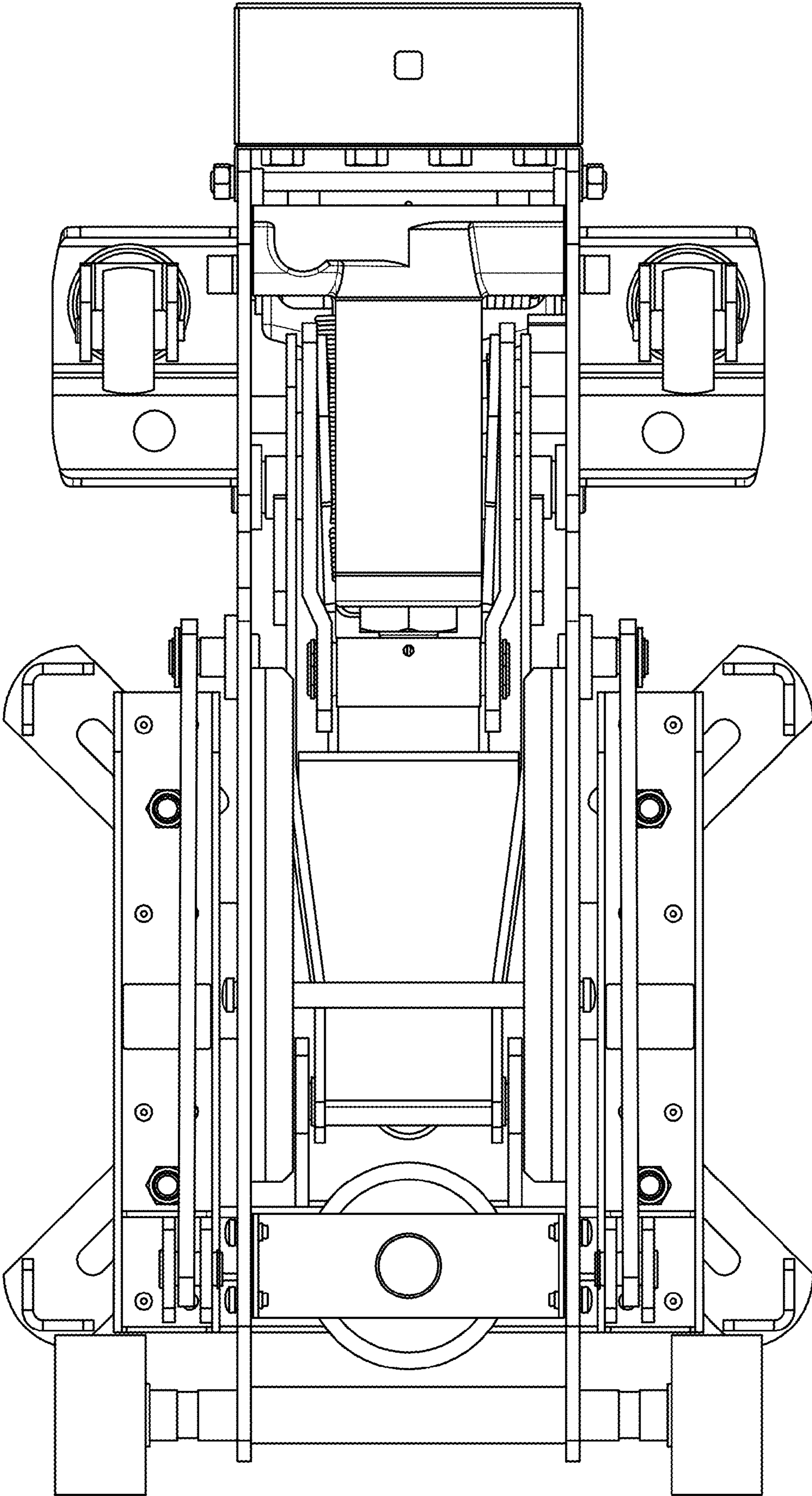


FIG. 7

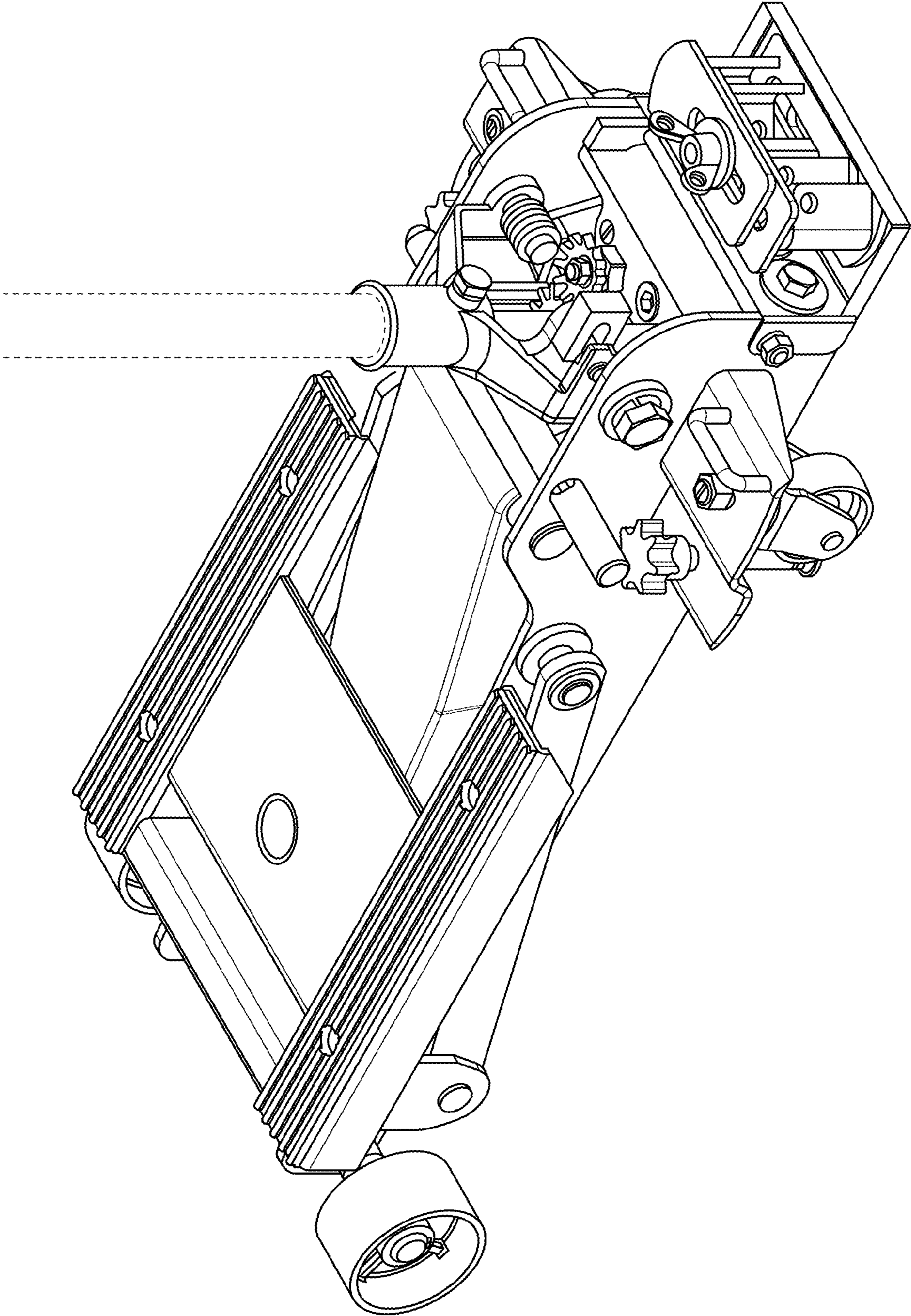


FIG. 8