



US00D874780S

(12) **United States Design Patent** (10) **Patent No.:** **US D874,780 S**  
**Bosveld et al.** (45) **Date of Patent:** **\*\* Feb. 4, 2020**

(54) **MATERIAL HOPPER**  
(71) Applicant: **Stratasys, Inc.**, Eden Prairie, MN (US)  
(72) Inventors: **Michael D. Bosveld**, Bloomington, MN (US); **Robert L. Skubic**, Chanhassen, MN (US)  
(73) Assignee: **STRATASYS, INC.**, Eden Prairie, MN (US)  
(\*\*) Term: **15 Years**

D503,941 S 4/2005 Andersen et al.  
D662,681 S 6/2012 Simpson  
8,297,541 B2 10/2012 Roberts et al.  
D685,402 S 7/2013 Cappuccio  
8,511,048 B2 8/2013 Smith  
D766,045 S 9/2016 Ismail  
D811,036 S \* 2/2018 Bosveld ..... D34/28  
D813,941 S 3/2018 Bertolin et al.  
2013/0161356 A1 \* 6/2013 Kawata ..... B65D 88/66  
222/203  
2013/0313338 A1 \* 11/2013 Liang ..... B05B 7/2413  
239/310  
2014/0008361 A1 \* 1/2014 Nguyen ..... A01K 5/0225  
220/9.4

(21) Appl. No.: **29/575,087**  
(22) Filed: **Aug. 22, 2016**  
(51) **LOC (12) Cl.** ..... **12-05**  
(52) **U.S. Cl.**  
USPC ..... **D34/28**  
(58) **Field of Classification Search**  
USPC .... D34/28, 32, 35; D15/122, 138, 141, 199,  
D15/28; D18/56, 99; D7/589; 193/2 R,  
193/3, 4; 220/9.4; 222/189.06, 204;  
239/310  
CPC . B66F 5/02; B66F 13/00; A01G 9/143; Y10T  
74/18576  
See application file for complete search history.

(Continued)

*Primary Examiner* — Mark A Goodwin  
(74) *Attorney, Agent, or Firm* — Westman, Champlin & Koehler, P.A.

(57) **CLAIM**

The ornamental design for a material hopper, as shown and described.

**DESCRIPTION**

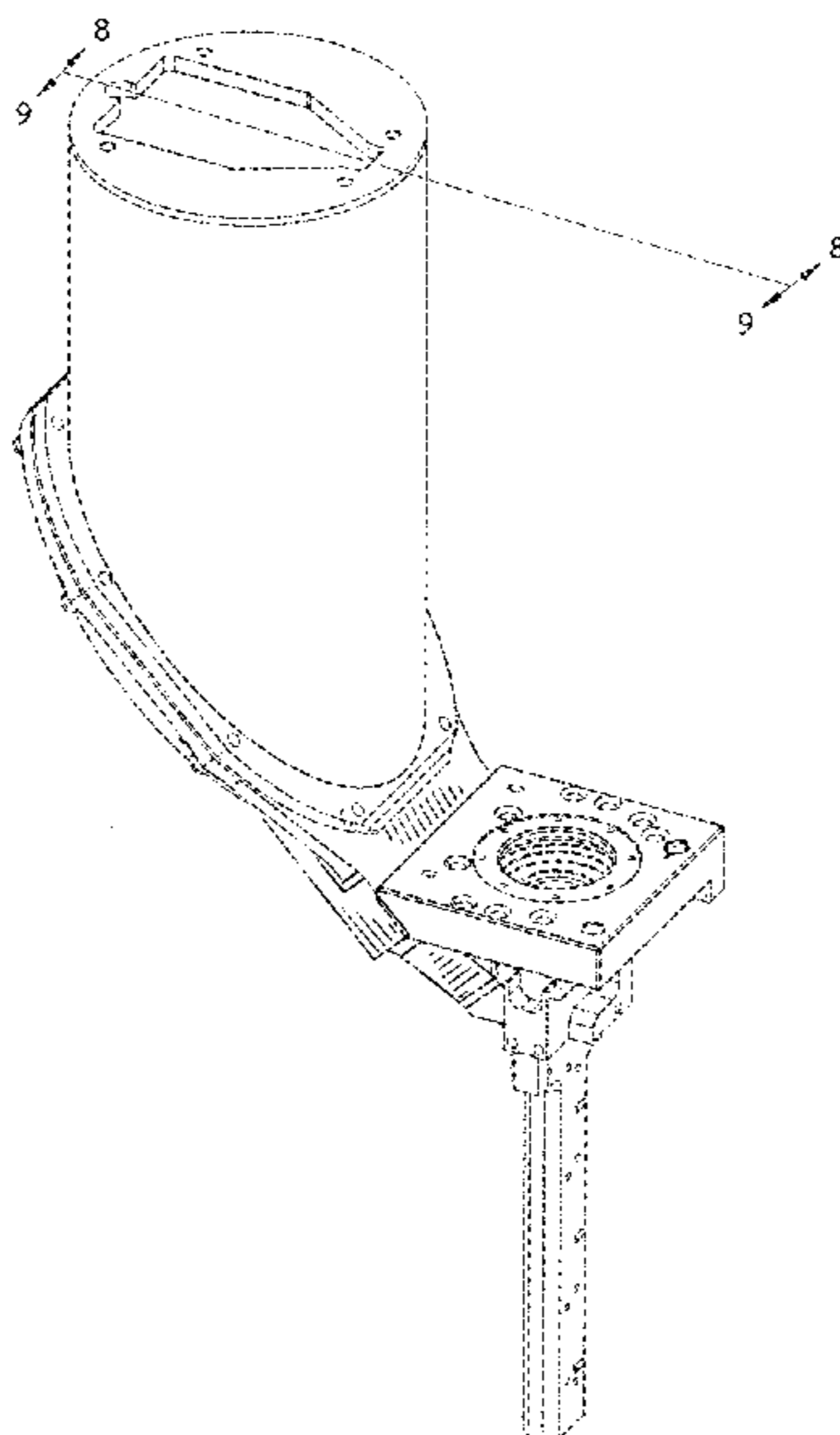
FIG. 1 is a perspective view of a material hopper showing our new design;  
FIG. 2 is a left side view thereof;  
FIG. 3 is a right side view thereof;  
FIG. 4 is a back view thereof;  
FIG. 5 is a front view thereof;  
FIG. 6 is a top view thereof;  
FIG. 7 is a bottom view thereof;  
FIG. 8 is a section view taken through the section line in FIG. 1; and,  
FIG. 9 is a section view taken through the section line in FIG. 1.

The broken lines shown in the drawings are included for purposes of illustrating portions of the material hopper and form no part of the claimed design.

**1 Claim, 8 Drawing Sheets**

(56) **References Cited**  
U.S. PATENT DOCUMENTS

1,262,876 A 1/1918 Turnbull  
D162,376 S 3/1951 Broyles  
D267,360 S 12/1982 Pair  
4,397,423 A 8/1983 Beaver et al.  
4,558,774 A 12/1985 Mikami  
D295,339 S 4/1988 Culshaw  
D297,678 S \* 9/1988 Sisk ..... D23/262  
D303,265 S \* 9/1989 Miyoshi ..... D15/122  
5,127,507 A 7/1992 McDermott  
6,102,562 A 8/2000 Bengtson  
6,158,564 A 12/2000 Derelanko



(56)

**References Cited**

U.S. PATENT DOCUMENTS

2016/0215218 A1\* 7/2016 Hill ..... B65G 65/4881  
2017/0291364 A1\* 10/2017 Womer ..... B33Y 30/00

\* cited by examiner

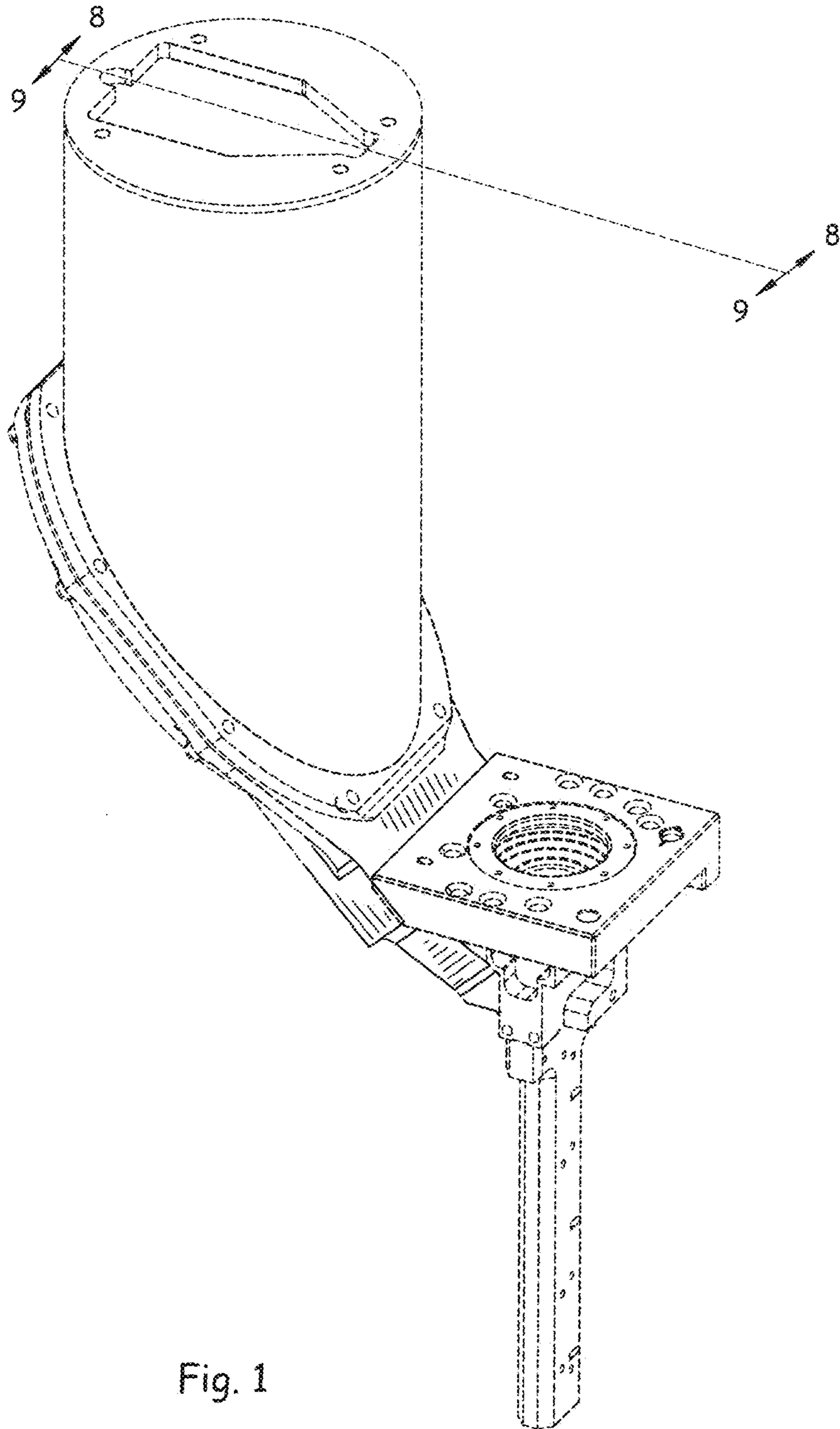


Fig. 1

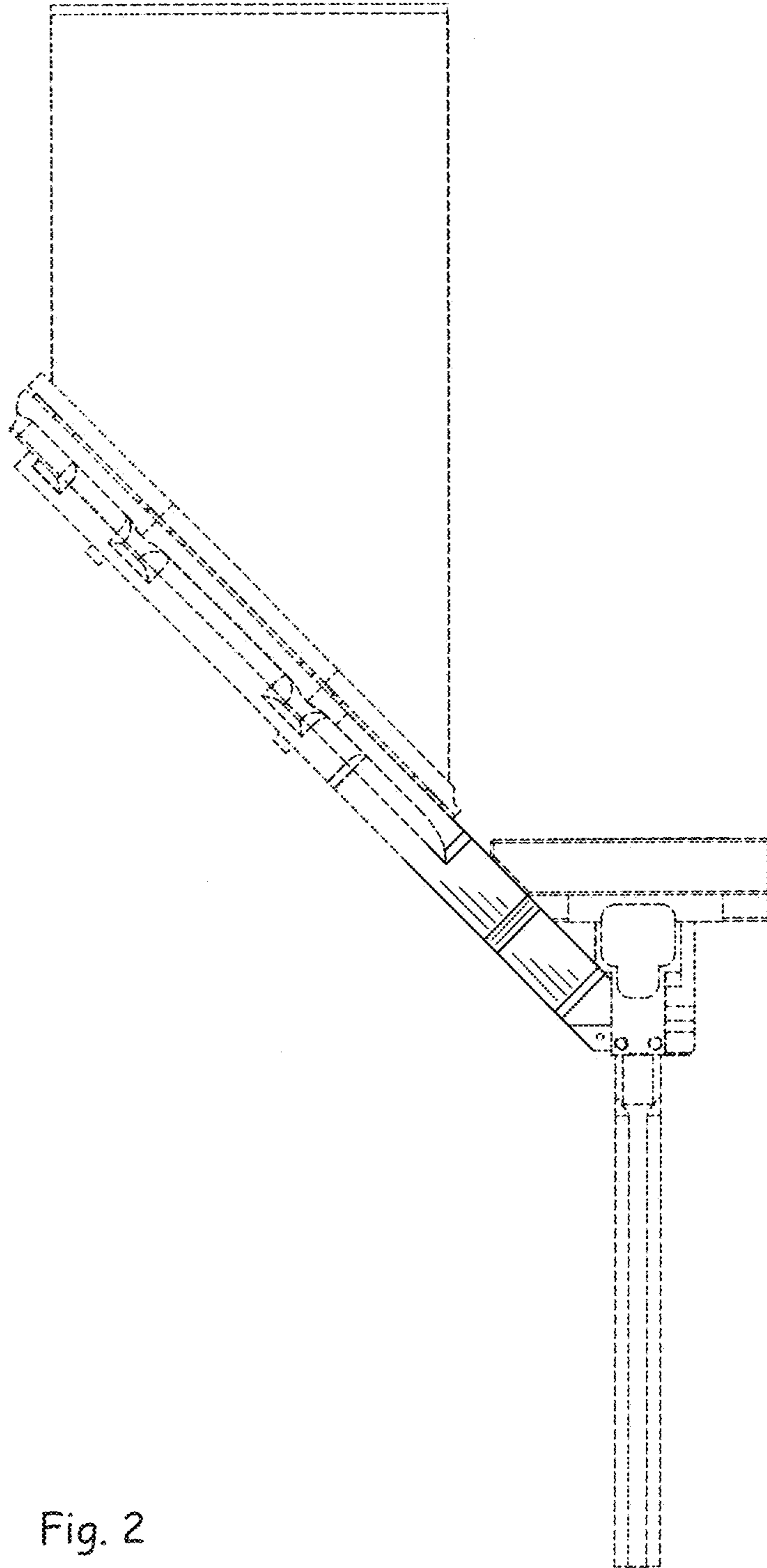


Fig. 2

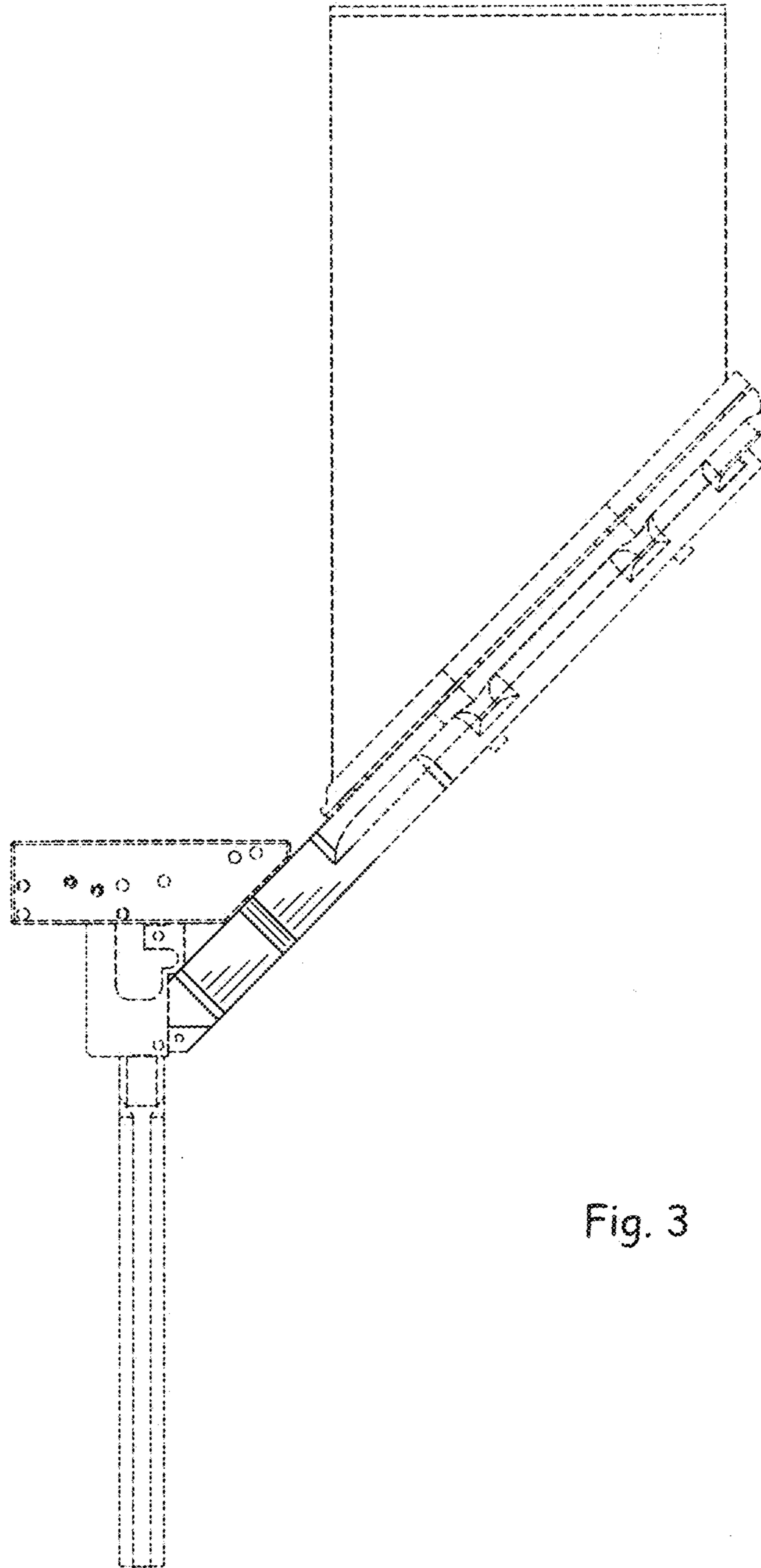


Fig. 3

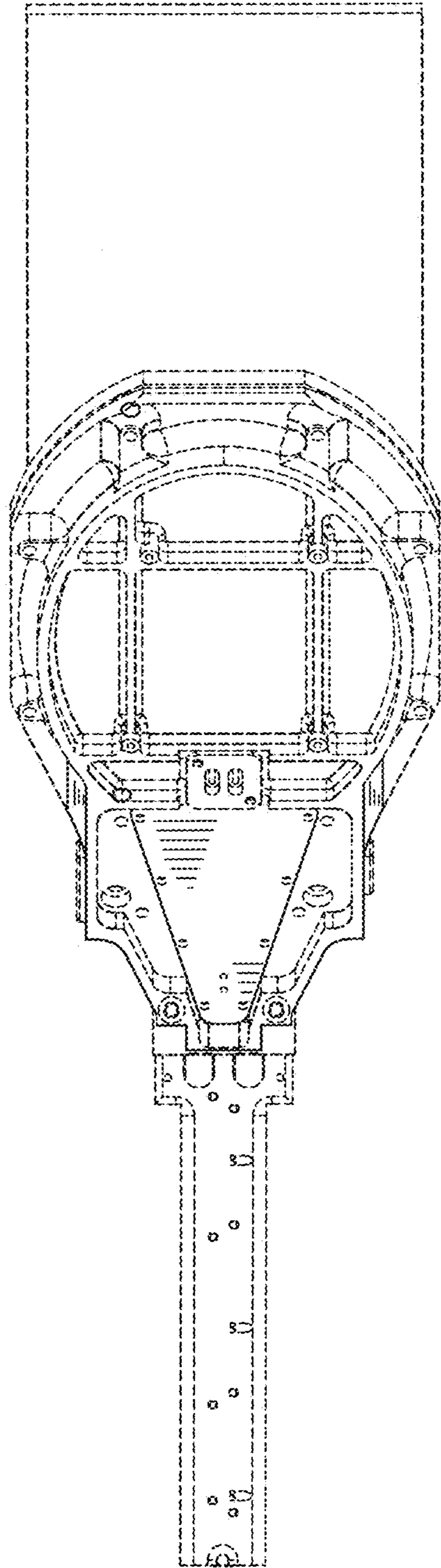


Fig. 4

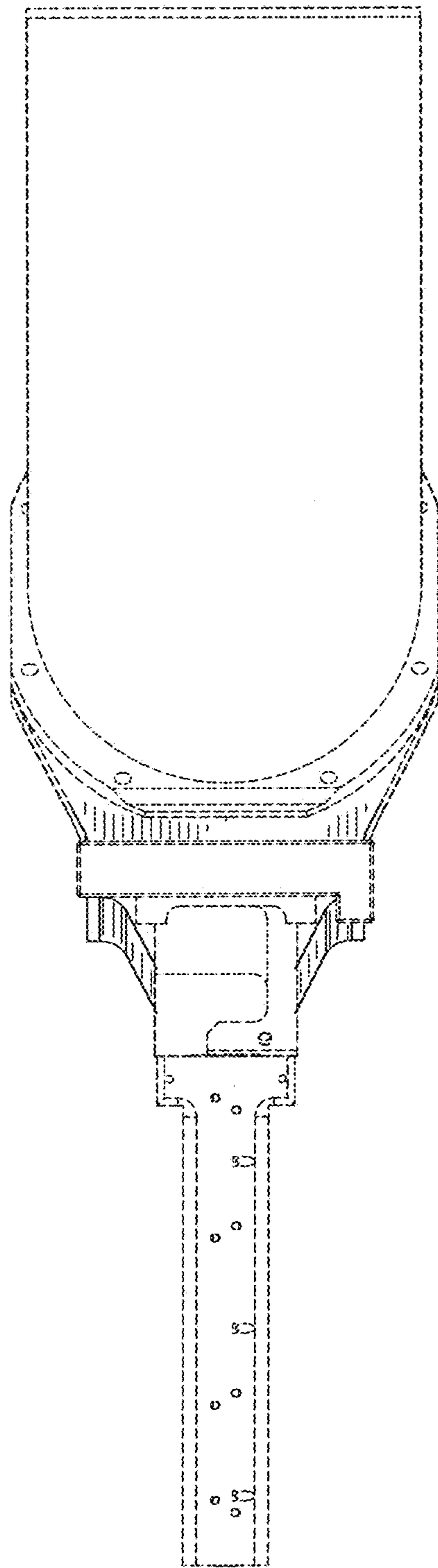


Fig. 5

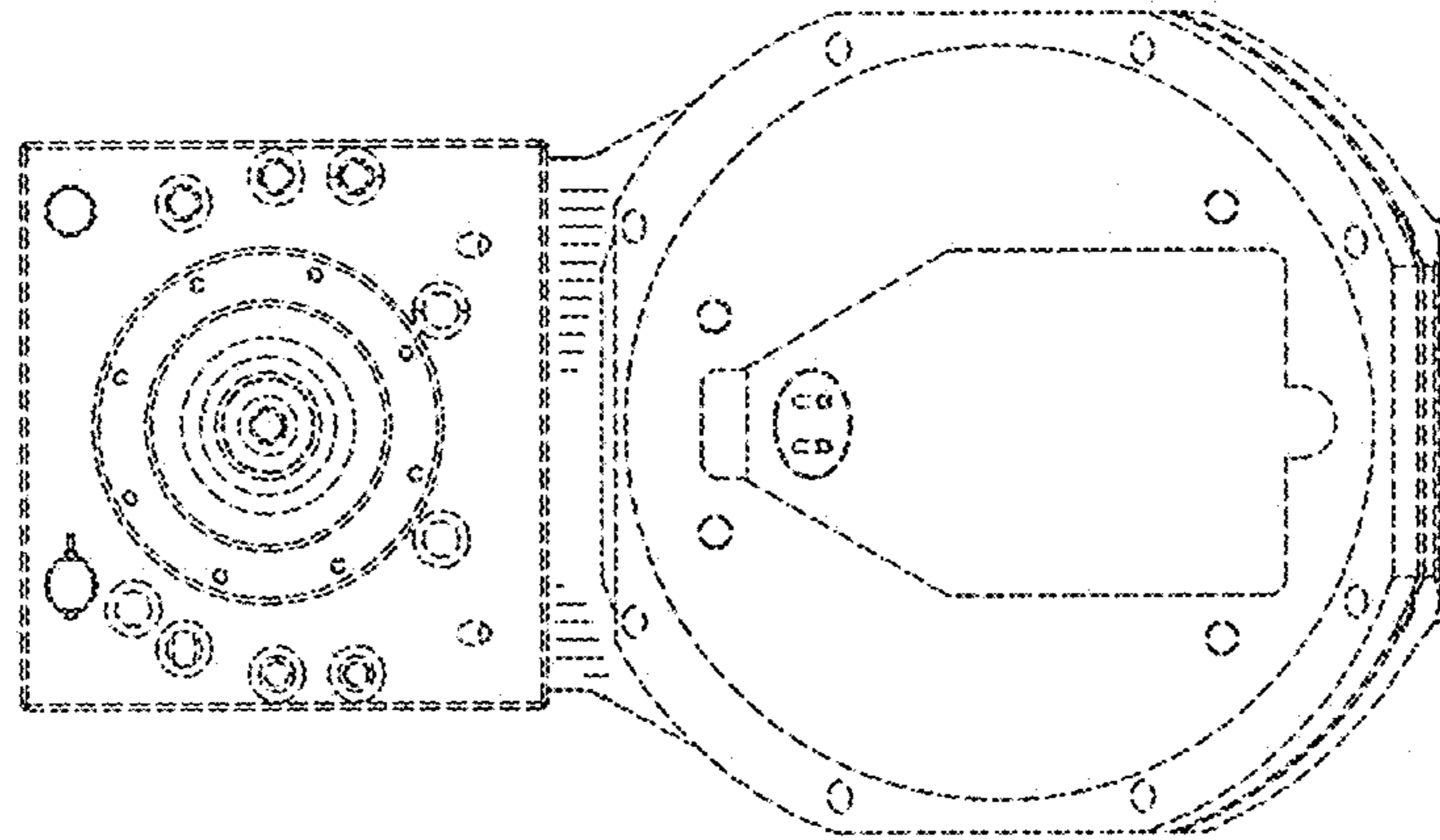


Fig. 6

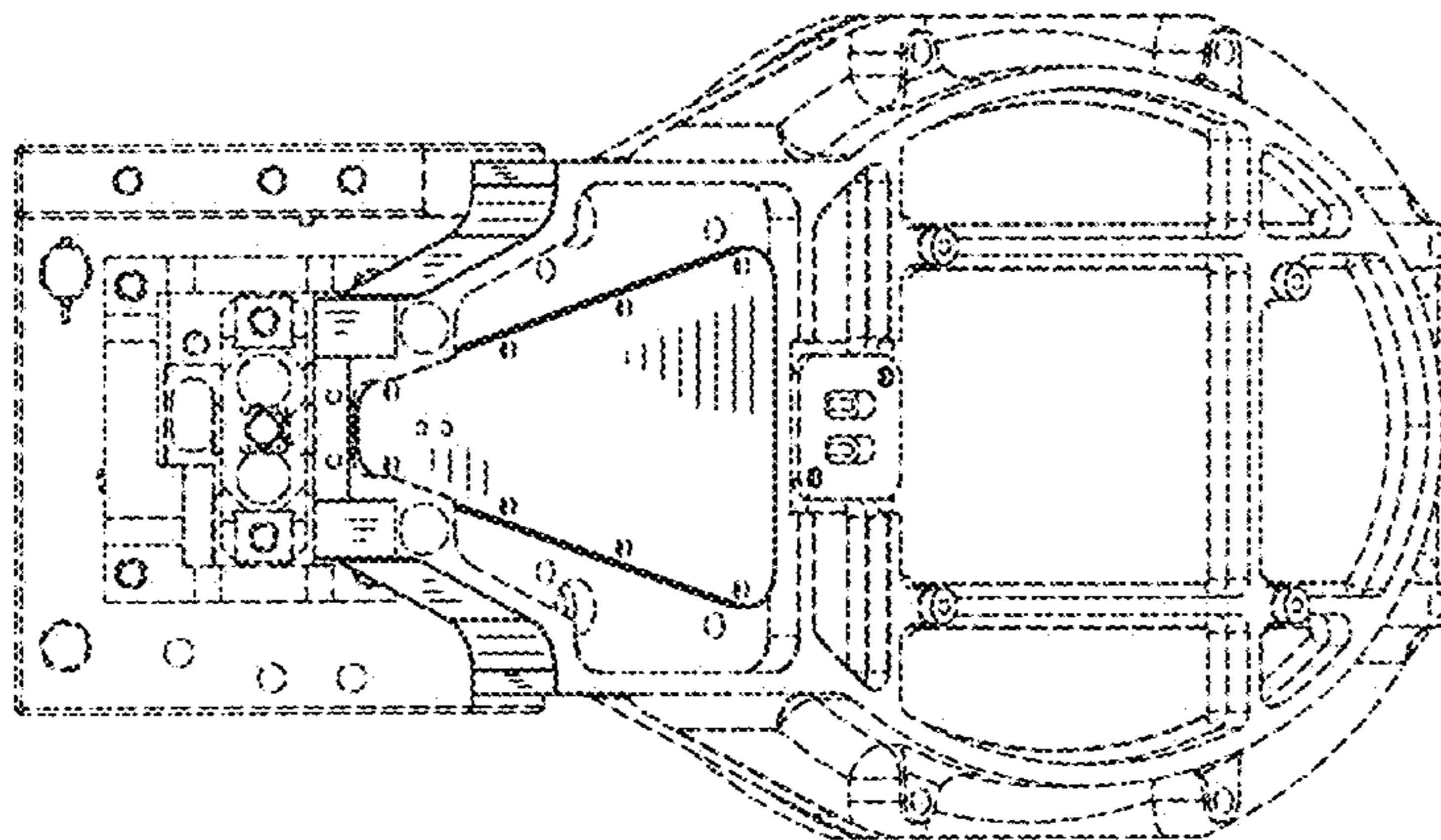


Fig. 7



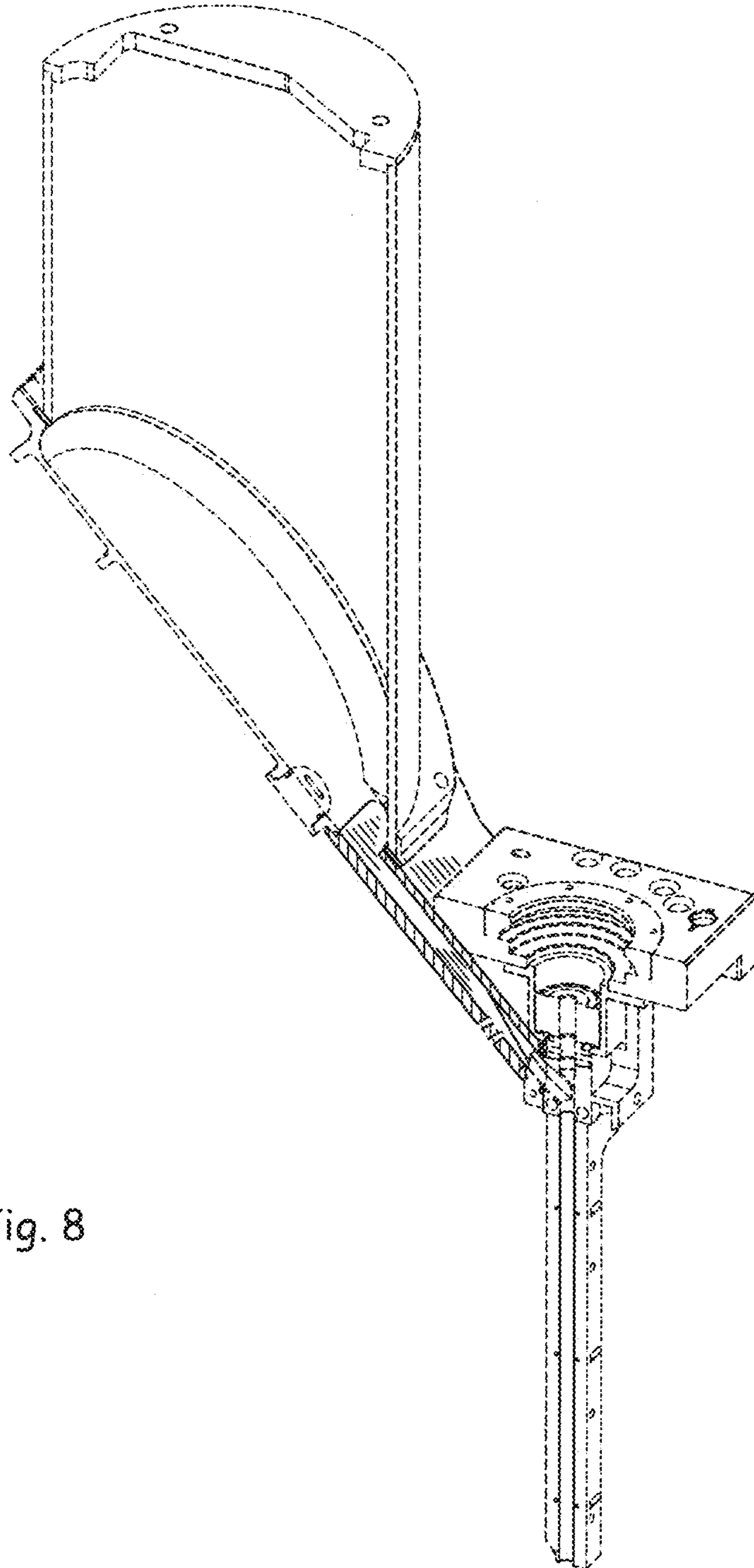


Fig. 8

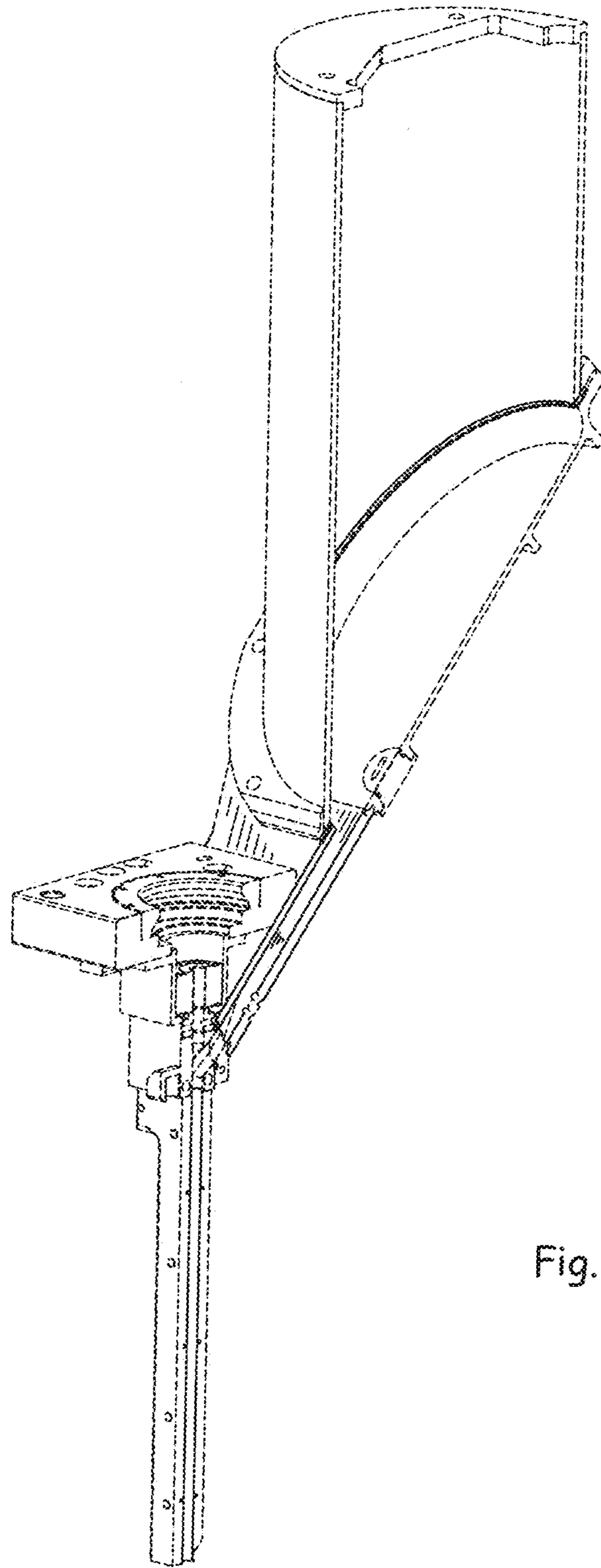


Fig. 9