



US00D874777S

(12) **United States Design Patent** (10) **Patent No.:** **US D874,777 S**
Tuncel (45) **Date of Patent:** **** Feb. 4, 2020**

- (54) **BELLMAN CART**
- (71) Applicant: **Levent Tuncel**, Atlanta, GA (US)
- (72) Inventor: **Levent Tuncel**, Atlanta, GA (US)
- (**) Term: **15 Years**
- (21) Appl. No.: **29/640,918**
- (22) Filed: **Mar. 19, 2018**
- (51) **LOC (12) Cl.** **12-02**
- (52) **U.S. Cl.**
USPC **D34/17**
- (58) **Field of Classification Search**
USPC 180/20; 280/33.991, 33.992, 33.995,
280/33.996, 33.997, 47.35, 79.2, 79.3,
280/647, 651; D12/129; D34/12, 14, 16,
D34/17, 19, 20, 21, 23, 24, 25, 27
CPC B62B 3/1472; B62B 5/0093; B62B 5/06;
B62B 5/064
See application file for complete search history.

D805,710 S * 12/2017 Thuma D34/17
 D811,682 S * 2/2018 Davis D34/17
 2008/0084039 A1* 4/2008 Moulton A45C 13/385
 280/47.35

OTHER PUBLICATIONS

Ahscompany, "Hospitality 1 Source Coastal Estate Series Bellman Cart", Aug. 27, 2019. http://www.ahscompany.com/Hospitality-1-Source-Coastal-Estate-Series-Bellmans-Cart-Brushed-Stainless-Steel_p_18878.html. Shown on p. 1. (Year: 2019).*

* cited by examiner

Primary Examiner — Cynthia Ramirez
Assistant Examiner — Michael A Maharajh

(57) **CLAIM**

The ornamental design for a Bellman cart, as shown and described.

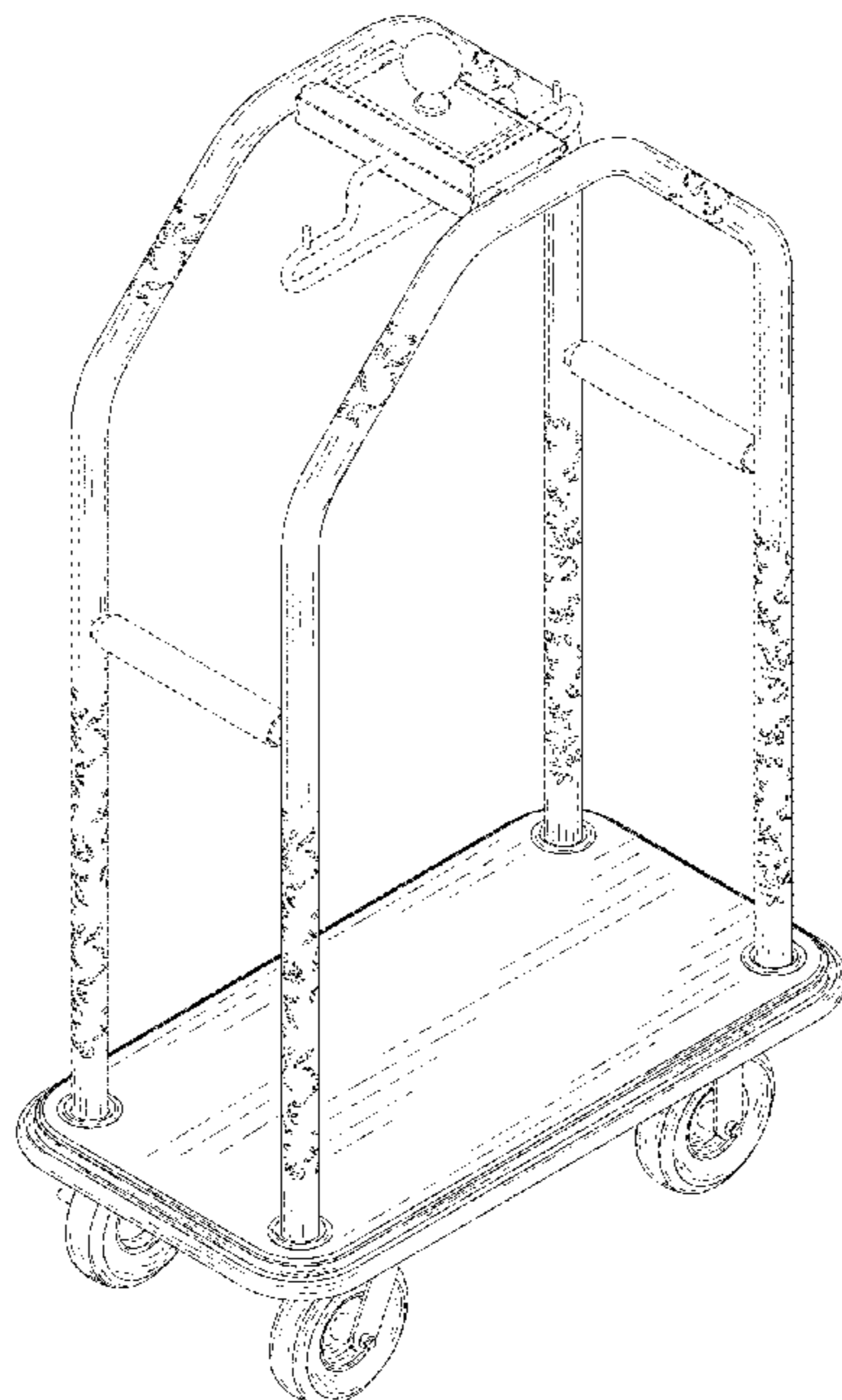
DESCRIPTION

FIG. 1 is a top perspective view of a Bellman cart showing my new design;
 FIG. 2 is a bottom perspective view thereof;
 FIG. 3 is a front view thereof;
 FIG. 4 is a back view thereof;
 FIG. 5 is a top view thereof;
 FIG. 6 is a bottom view thereof;
 FIG. 7 is a right view thereof; and,
 FIG. 8 is a left view thereof.
 The broken lines showing of wheel connectors in FIG. 1-4 and FIG. 6-8, and the broken line showing of floral patterns in FIG. 1-5 and FIG. 7-8 are included for the purpose of showing environmental structure and forms no part of the claimed design.

1 Claim, 8 Drawing Sheets

(56) **References Cited**
 U.S. PATENT DOCUMENTS

D161,141 S	*	12/1950	Sneed	D34/17
D323,049 S	*	1/1992	DeWitt	D34/17
D324,283 S	*	2/1992	DeWitt	D34/17
D326,748 S	*	6/1992	Kirk	D34/12
D550,919 S	*	9/2007	Tuncel	D34/17
D550,920 S	*	9/2007	Tuncel	D34/17
D591,473 S	*	4/2009	Tuncel	D34/17
D592,820 S	*	5/2009	Tuncel	D34/17
D616,173 S	*	5/2010	Tuncel	D34/17
D703,905 S	*	4/2014	Tuncel	D34/23
D713,112 S	*	9/2014	Maher	D34/17
D728,888 S	*	5/2015	Tuncel	D34/17
D730,610 S	*	5/2015	Avila	D34/17
D743,139 S	*	11/2015	Tuncel	D34/17
D755,463 S	*	5/2016	Tuncel	D34/17



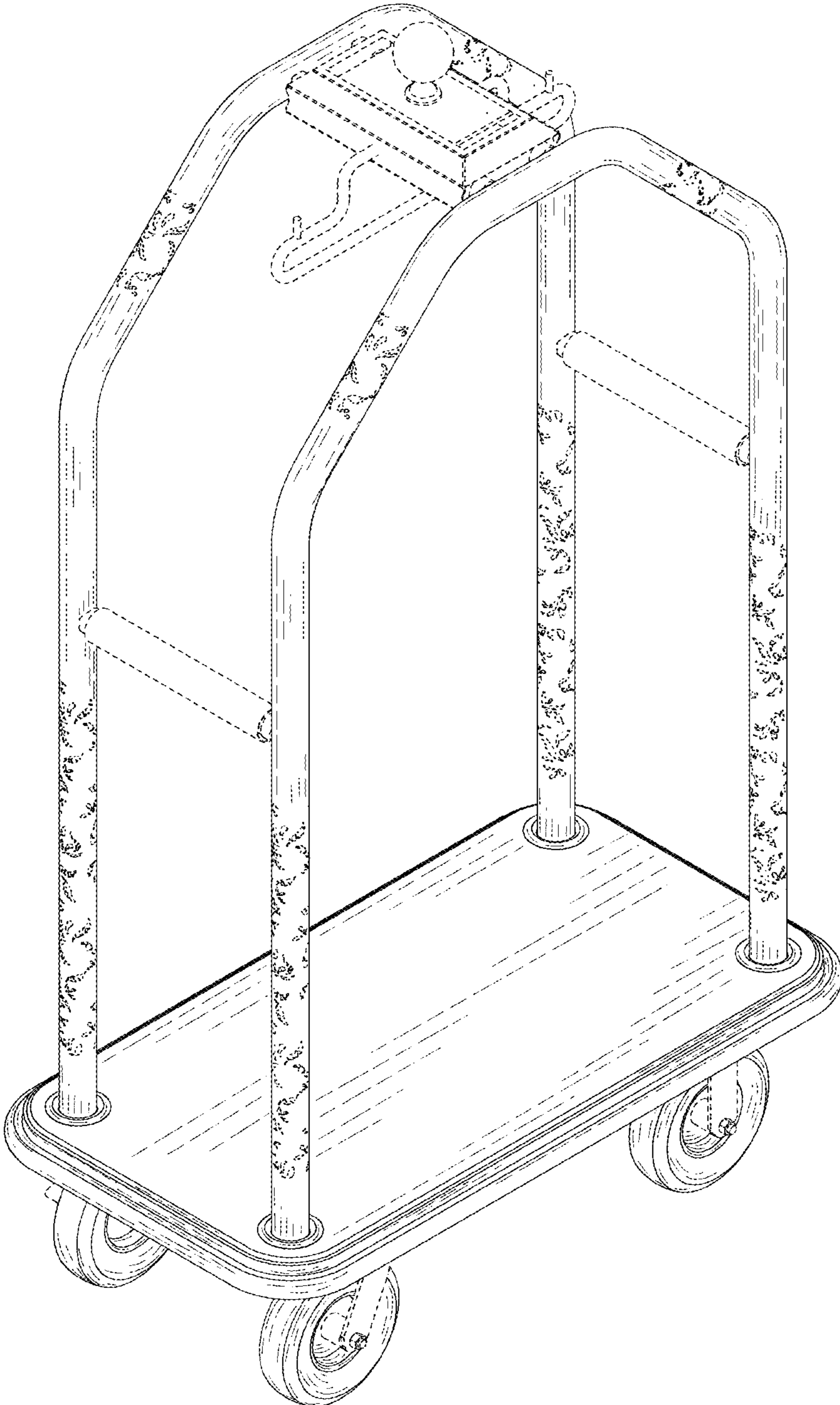


FIG. 1

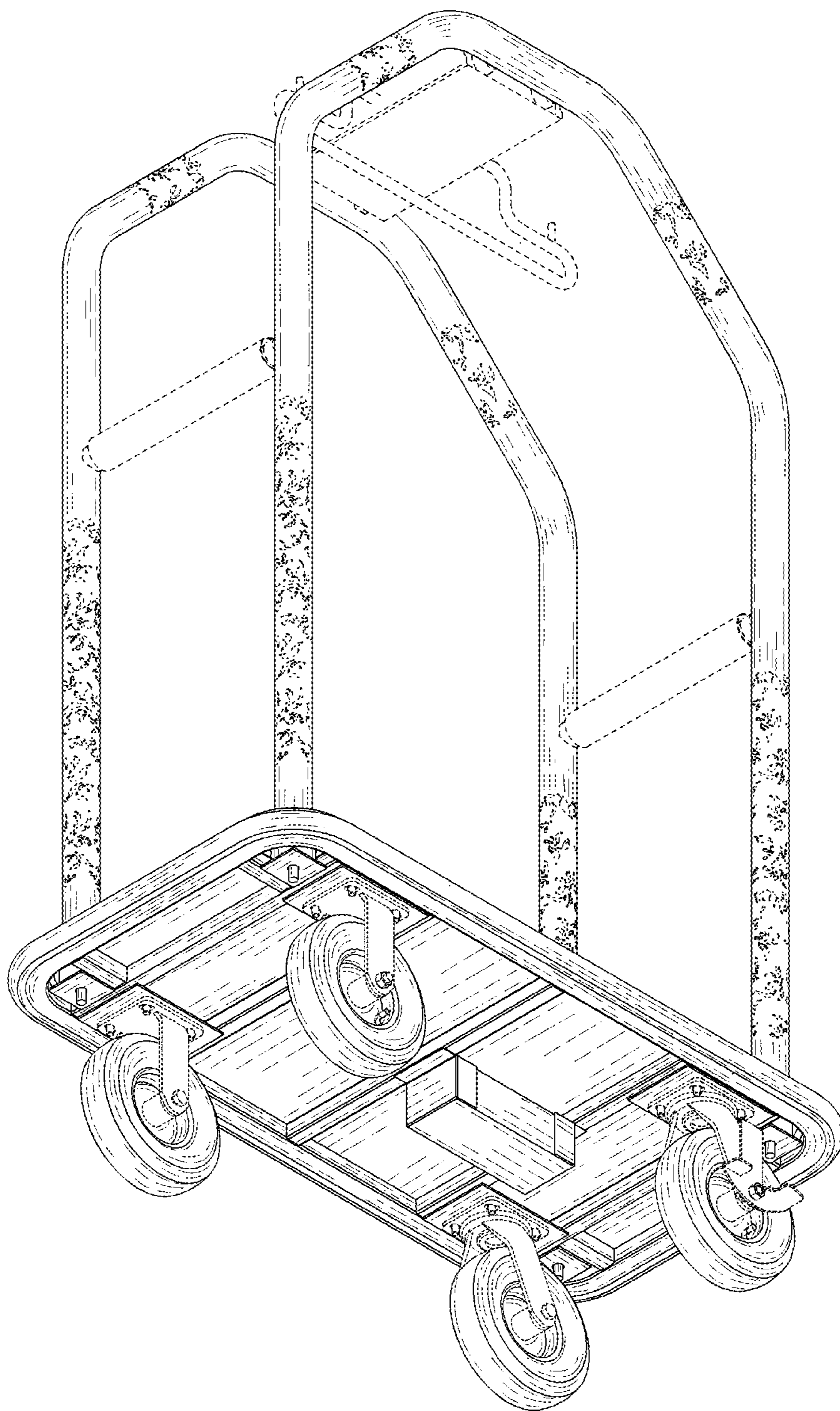


FIG. 2

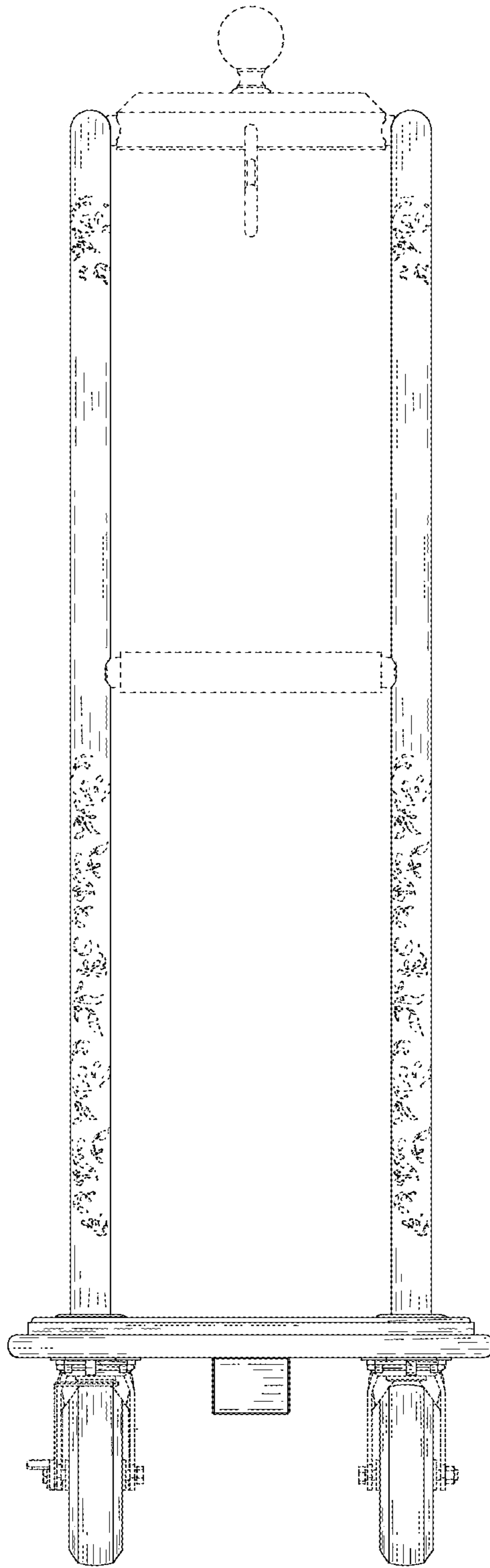


FIG. 3

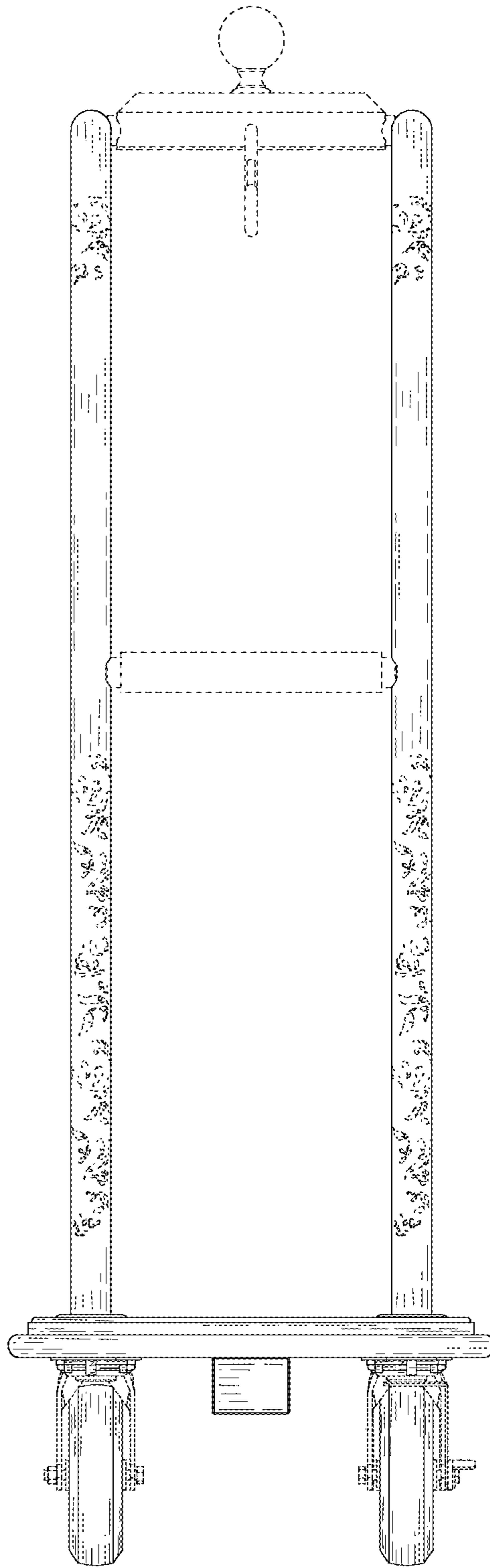


FIG. 4

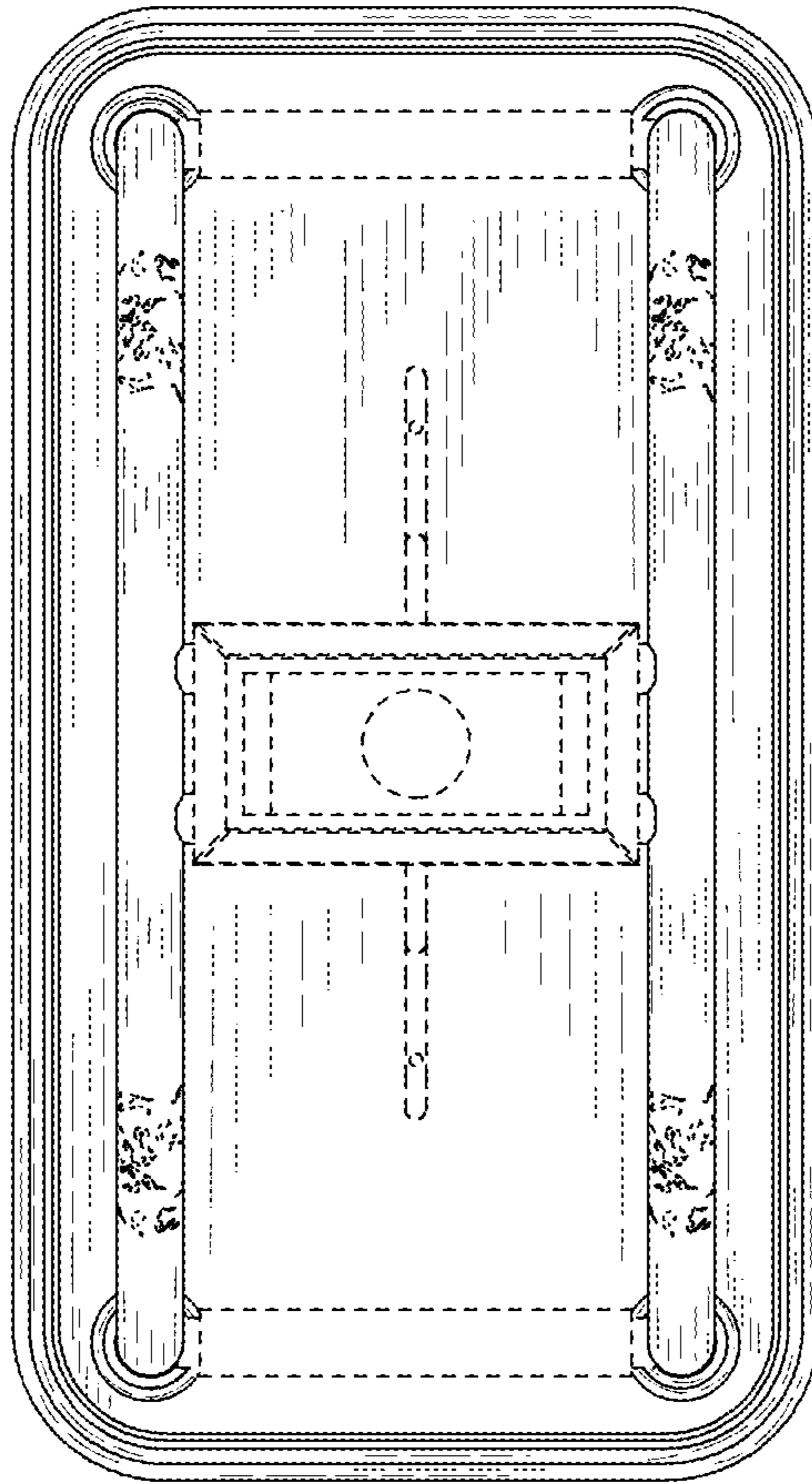


FIG. 5

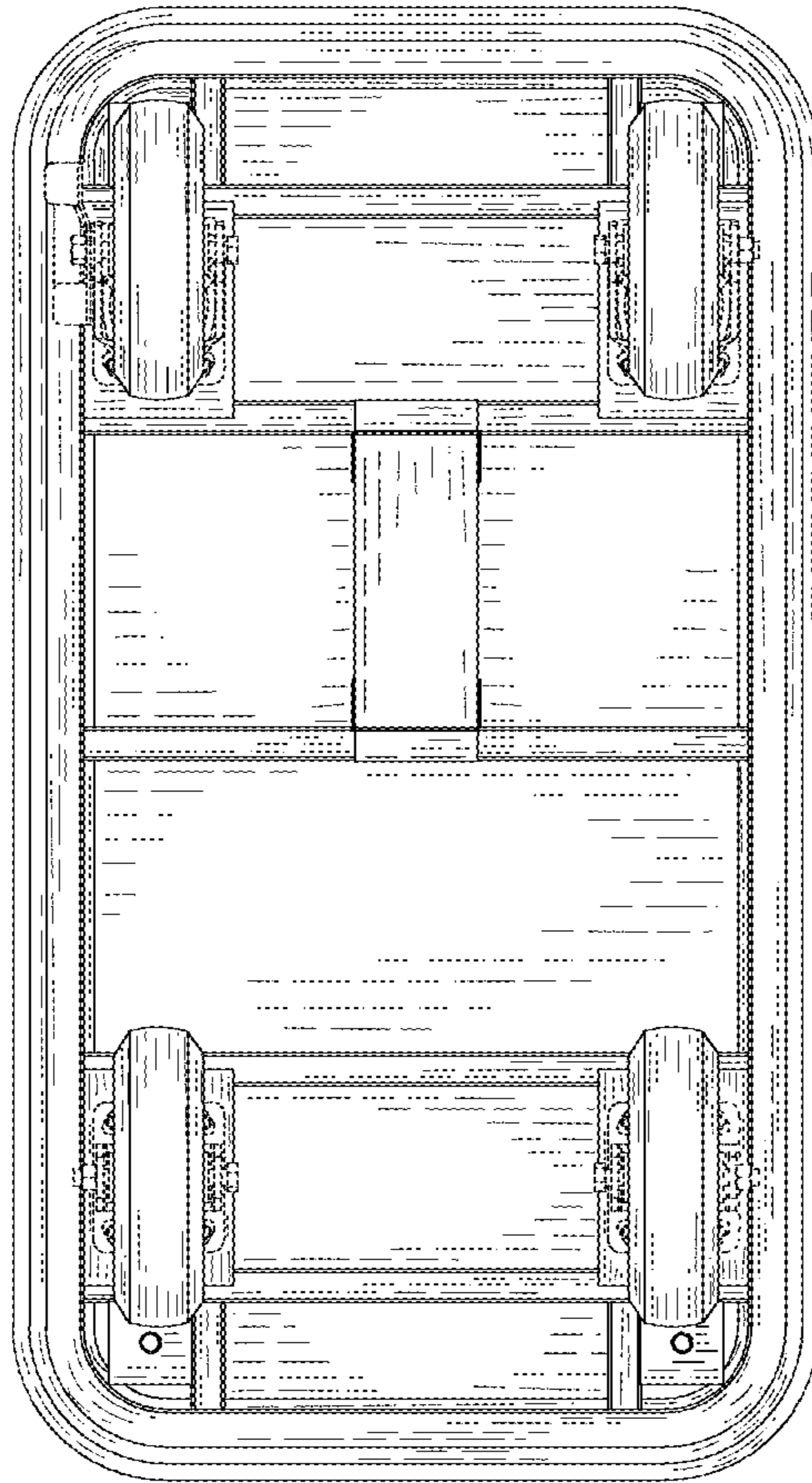


FIG. 6

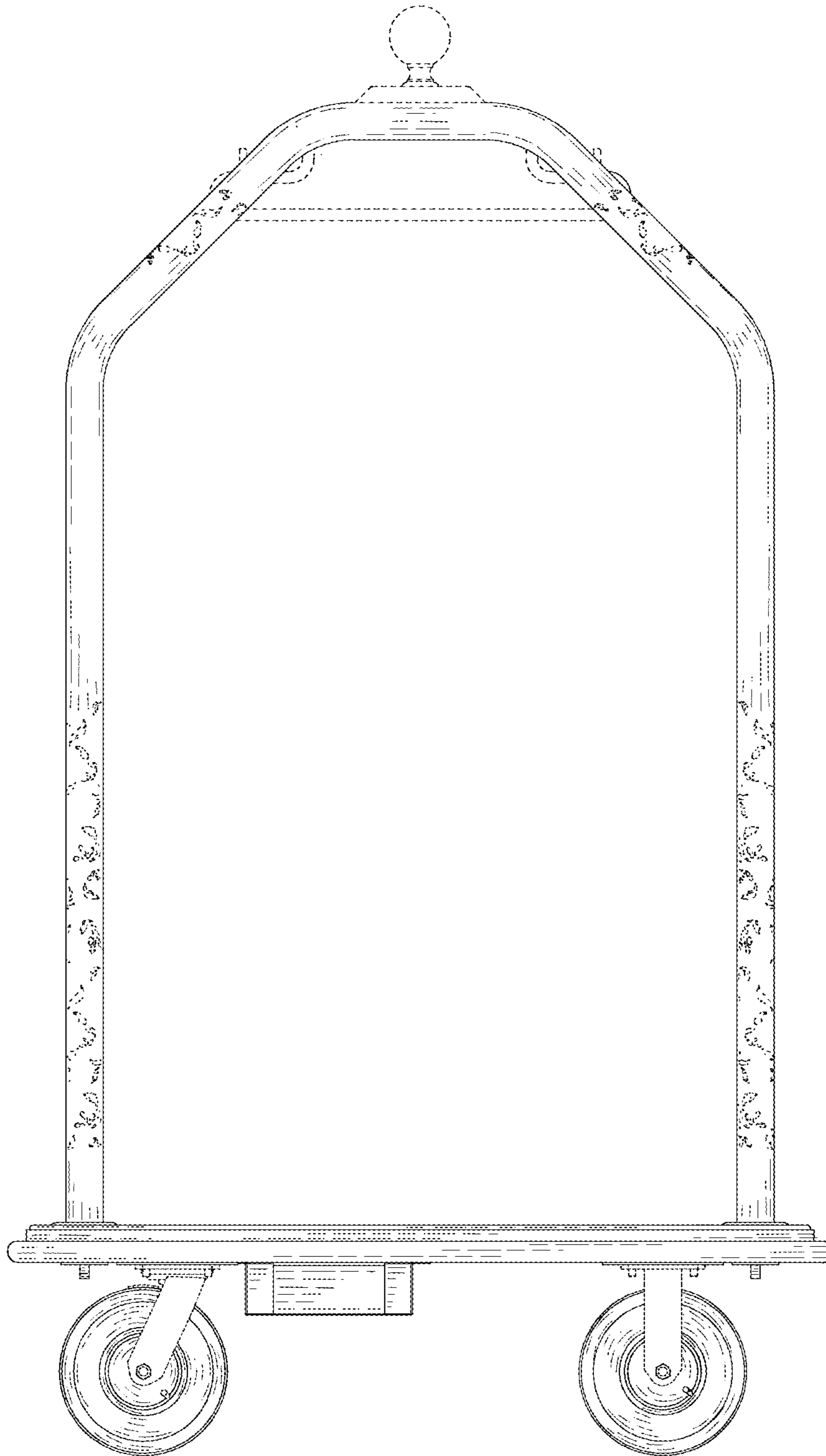


FIG. 7

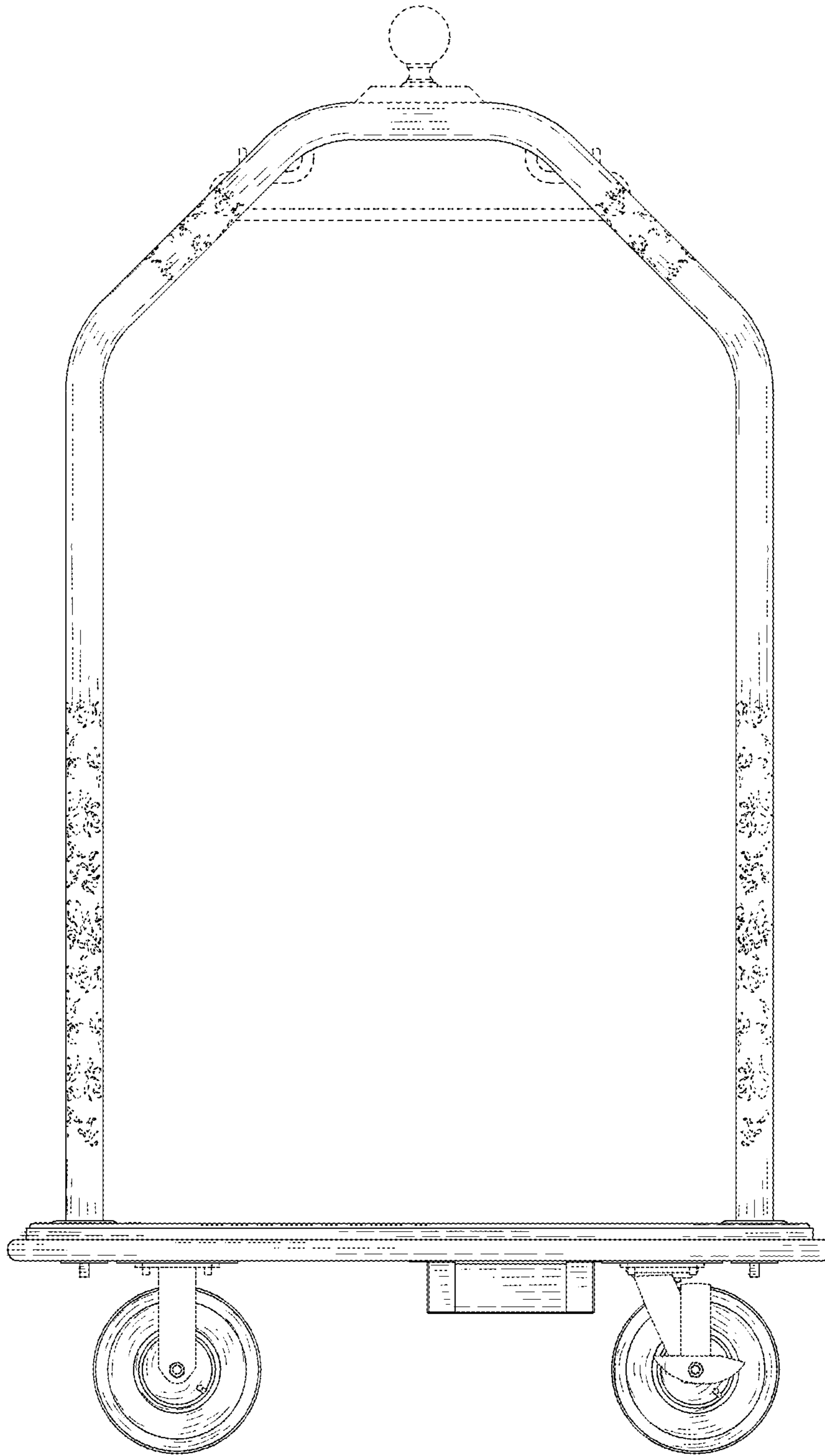


FIG. 8