



US00D874771S

(12) **United States Design Patent**  
**Meyer et al.**

(10) **Patent No.:** **US D874,771 S**

(45) **Date of Patent:** **\*\* Feb. 4, 2020**

(54) **WINDOW CLEANING APPLIANCE**

(71) Applicant: **Alfred Kaercher SE & Co. KG**,  
Winnenden (DE)

(72) Inventors: **Michael Meyer**, Schwaikheim (DE);  
**Matthias Helfert**, Winnenden (DE)

(73) Assignee: **Alfred Kaercher SE & Co. KG**,  
Winnenden (DE)

(\*\*) Term: **15 Years**

(21) Appl. No.: **29/644,793**

(22) Filed: **Apr. 20, 2018**

(30) **Foreign Application Priority Data**

Nov. 16, 2017 (WO) ..... DM/098613

(51) **LOC (12) Cl.** ..... **07-05**

(52) **U.S. Cl.**  
USPC ..... **D32/40**

(58) **Field of Classification Search**  
USPC ..... D32/40-43, 45-46, 50-52  
CPC ..... A46B 11/00; A47L 11/34; A47L 13/22;  
A47L 13/24; A47L 13/20; A47L 13/256  
See application file for complete search history.

(56) **References Cited**

**U.S. PATENT DOCUMENTS**

D646,861 S \* 10/2011 McGee ..... D32/45  
D649,314 S \* 11/2011 Quinlan ..... D32/41

D703,405 S \* 4/2014 Meyer ..... D32/41  
D715,009 S \* 10/2014 Curien ..... D32/41  
D720,107 S \* 12/2014 Meyer ..... D32/41  
D768,948 S \* 10/2016 Baxter ..... D32/18  
D769,560 S \* 10/2016 Helfert ..... D32/18  
D787,142 S \* 5/2017 Buckley ..... D32/40  
D828,665 S \* 9/2018 Helfert ..... D32/40  
D830,026 S \* 10/2018 Helfert ..... D32/40  
D841,912 S \* 2/2019 Renner ..... D32/40

\* cited by examiner

*Primary Examiner* — Michelle E. Wilson

(74) *Attorney, Agent, or Firm* — Lipsitz & McAllister,  
LLC

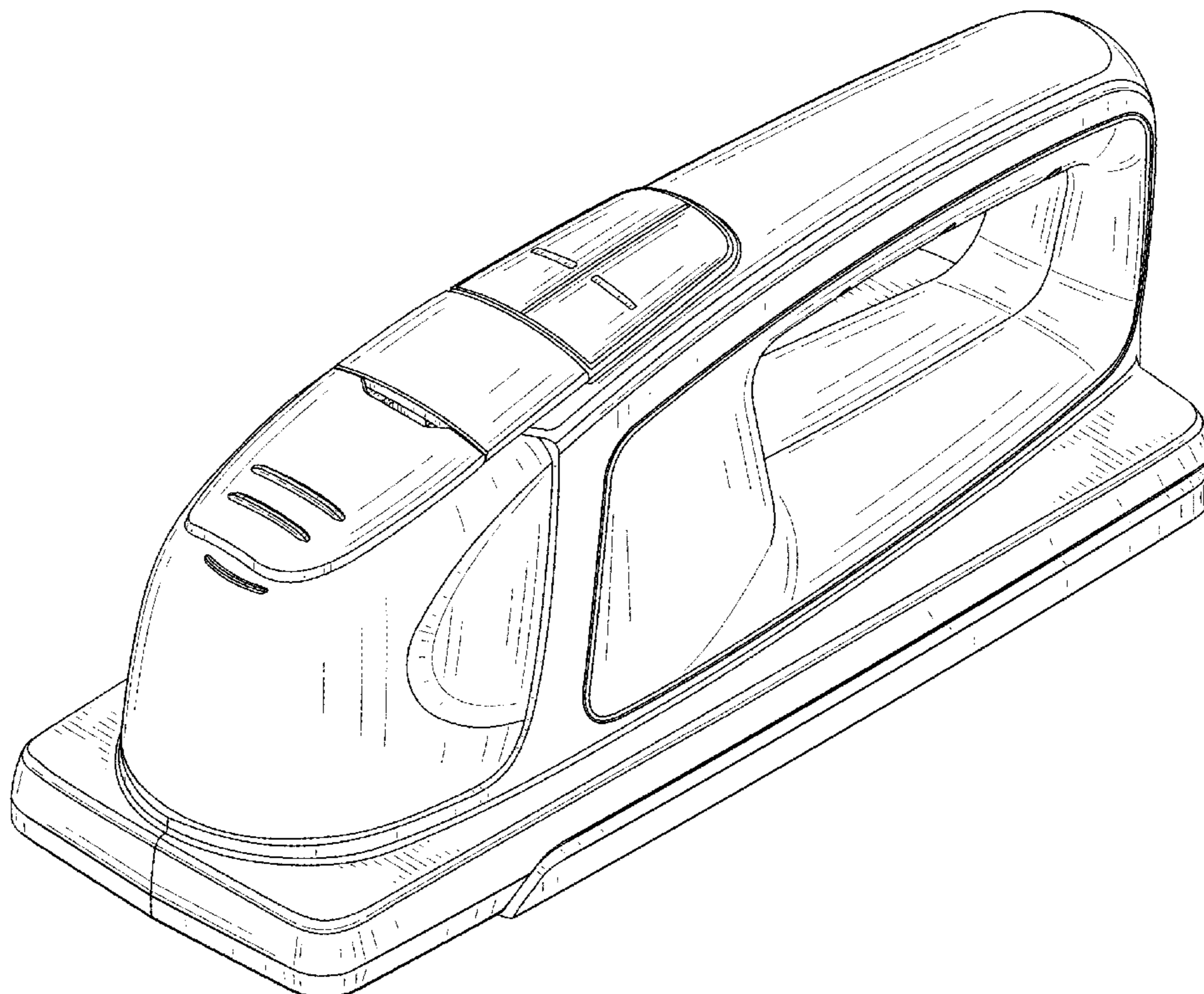
(57) **CLAIM**

The ornamental design for a window cleaning appliance, as shown and described.

**DESCRIPTION**

FIG. 1 is a front, top and left side perspective view of a window cleaning appliance showing the new design; FIG. 2 is a front elevational view thereof; FIG. 3 is a left side elevational view thereof; FIG. 4 is a rear elevational view thereof; FIG. 5 is a right side elevational view thereof; FIG. 6 is a top plan view thereof; and, FIG. 7 is a bottom plan view thereof.

**1 Claim, 7 Drawing Sheets**



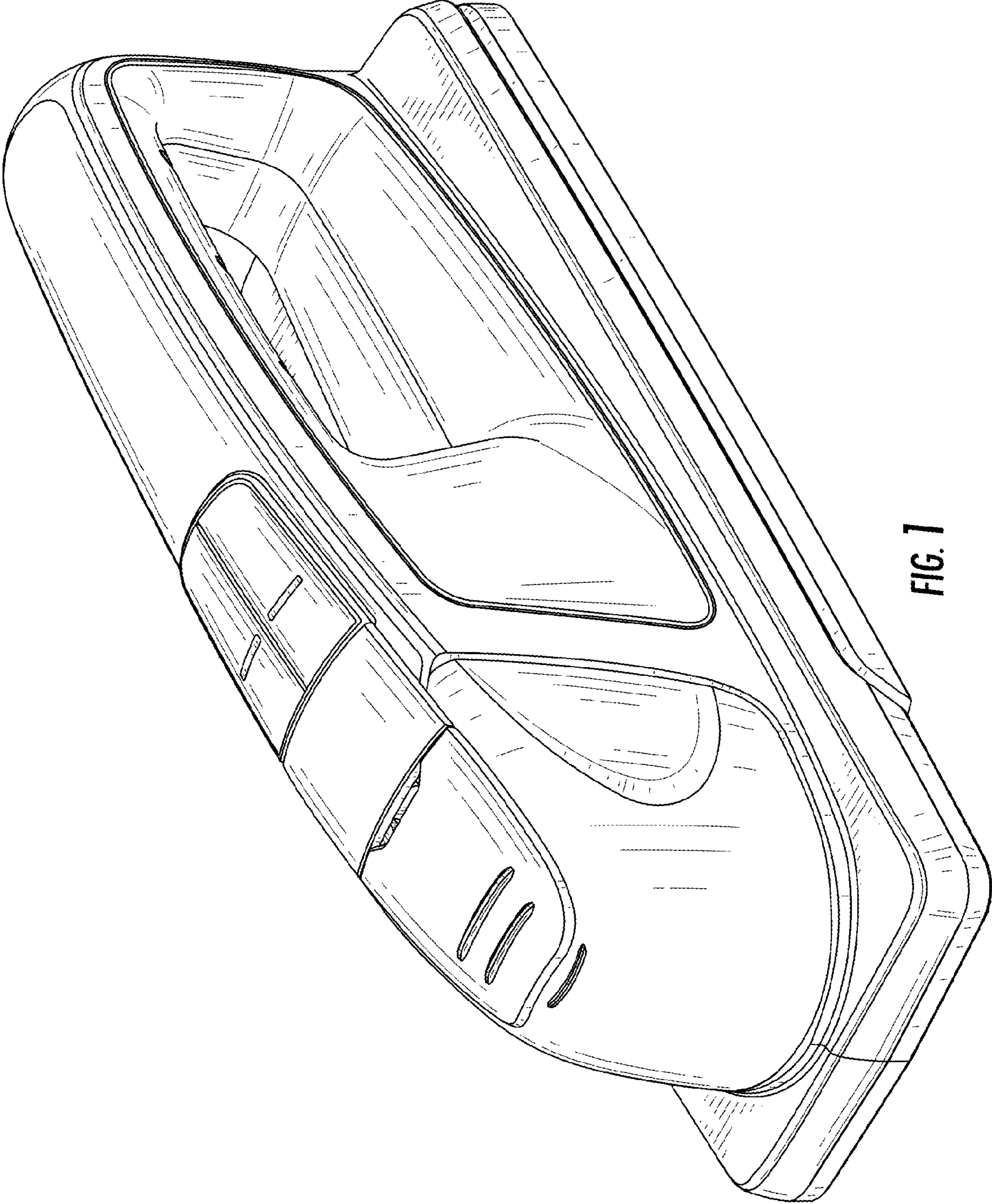
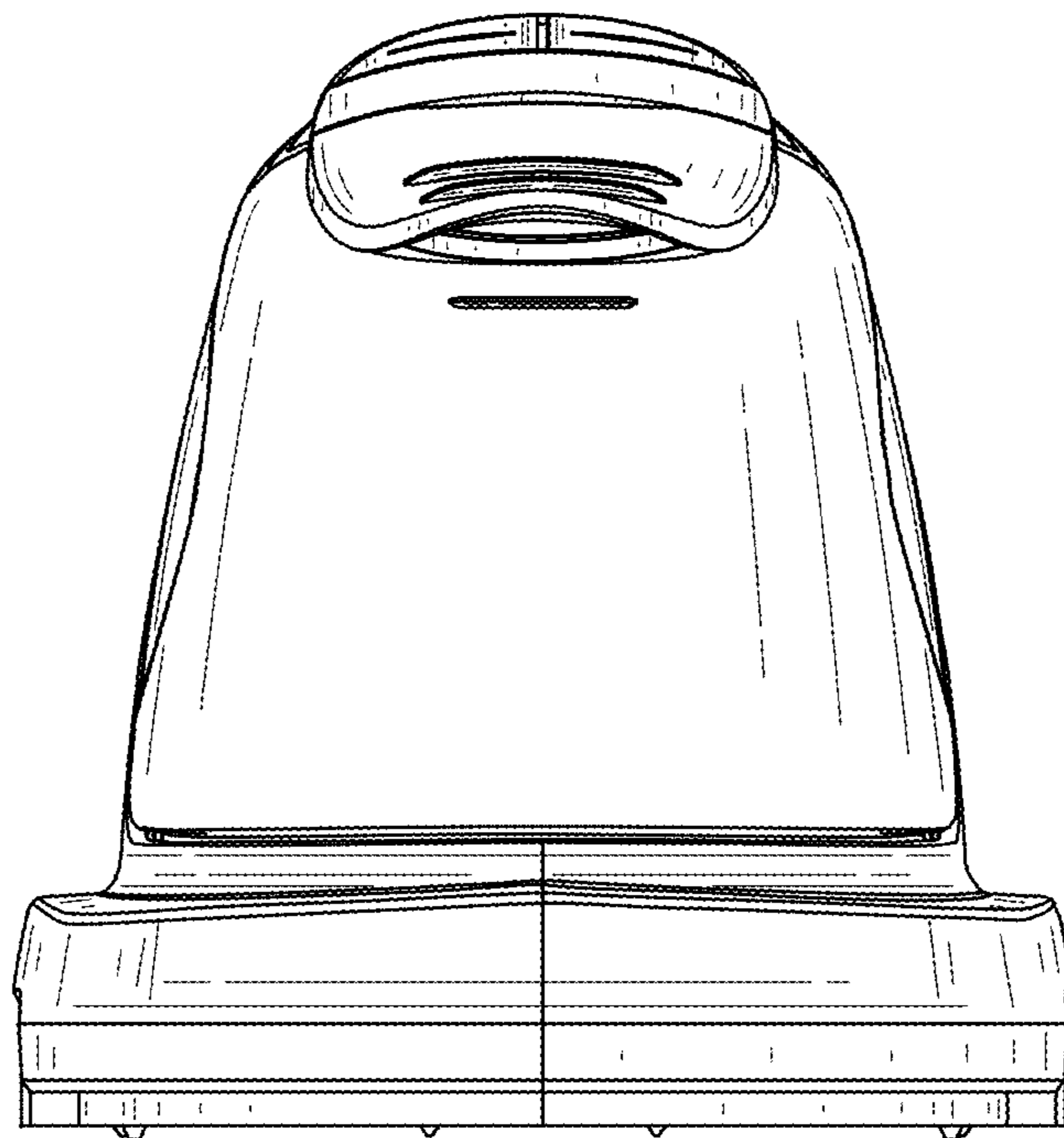


FIG. 1



**FIG. 2**



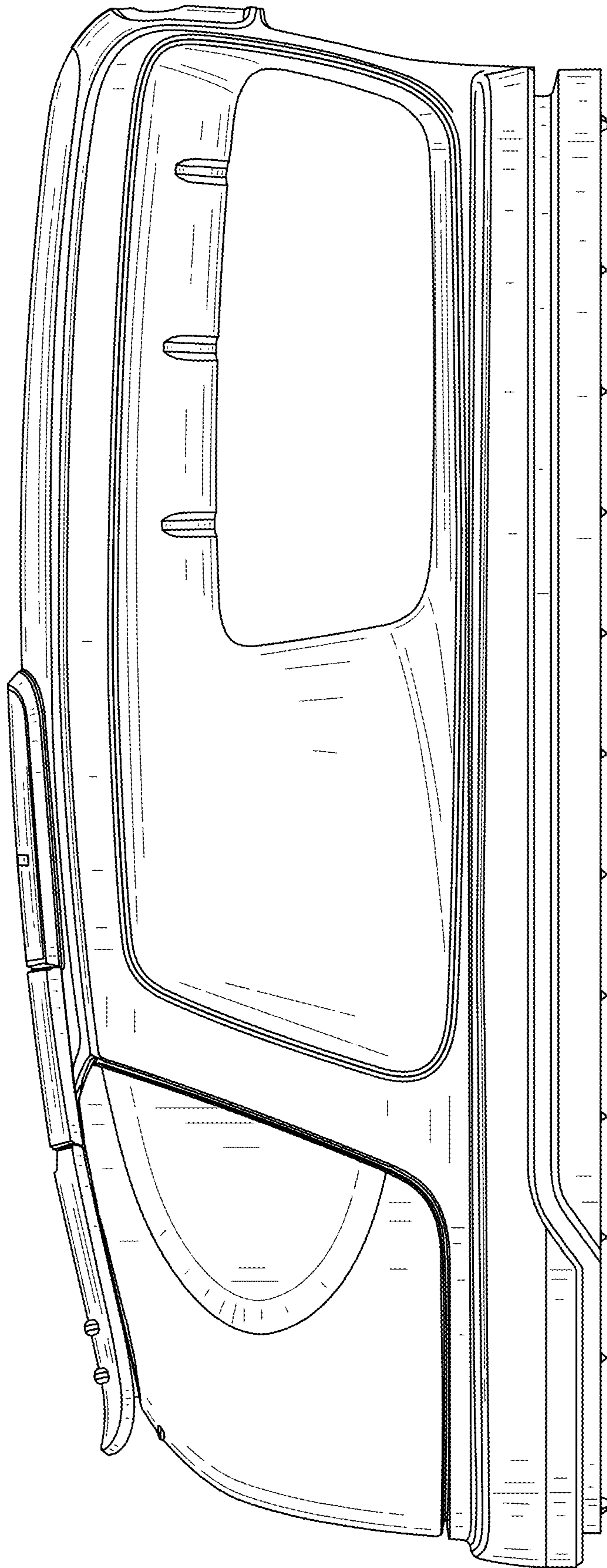
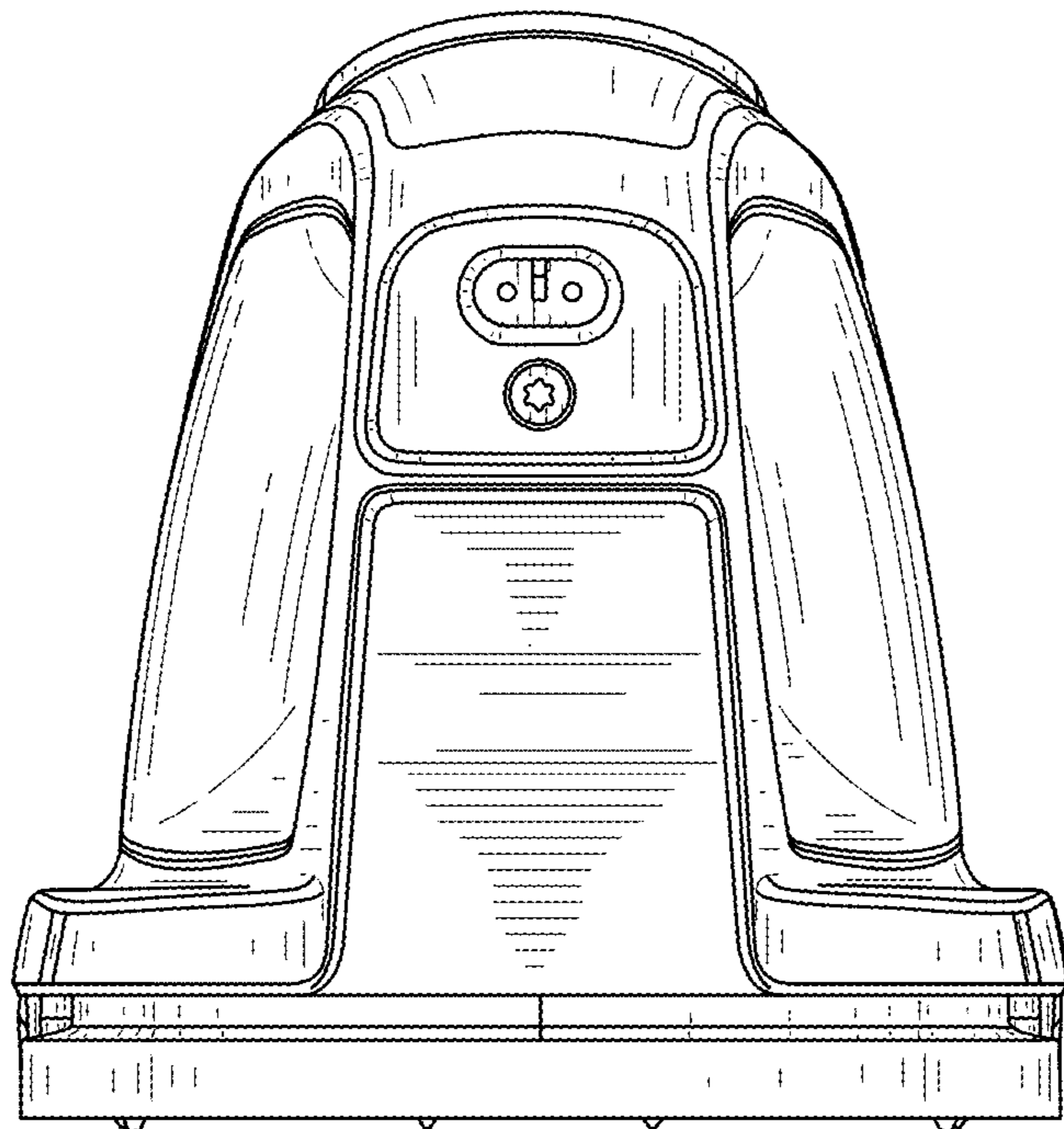


FIG. 3



**FIG. 4**

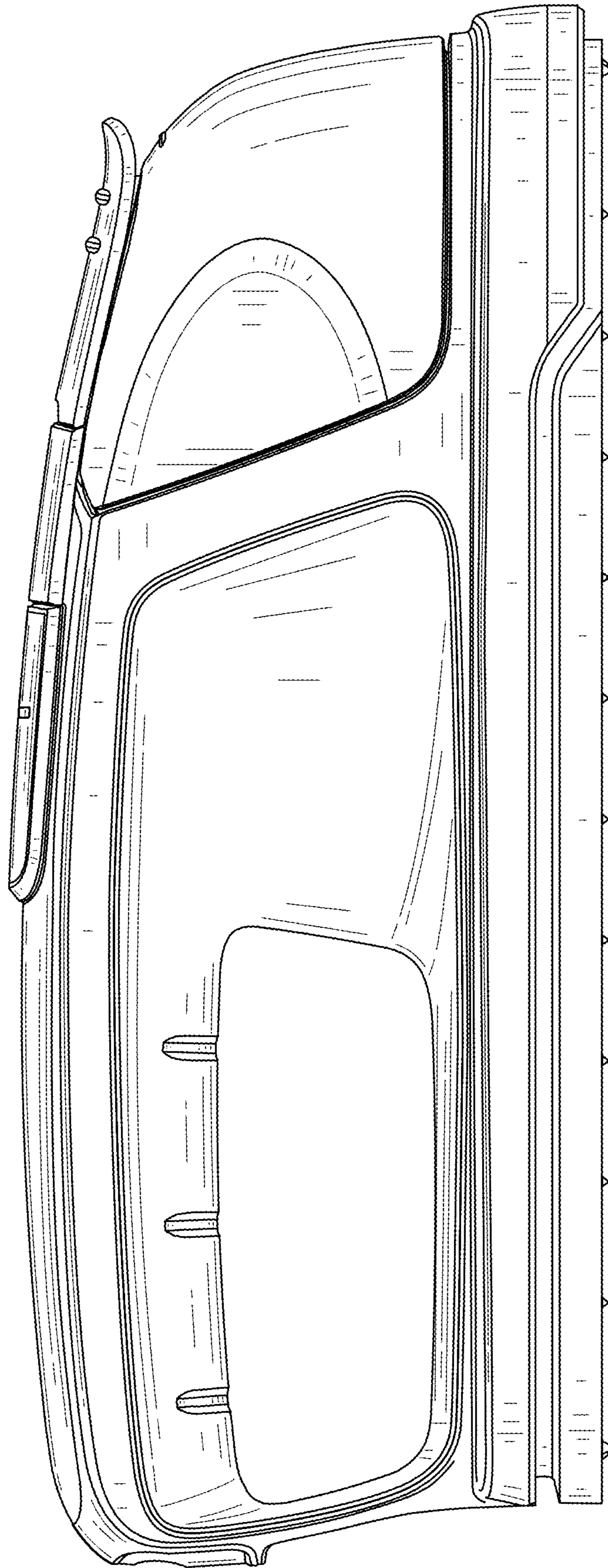
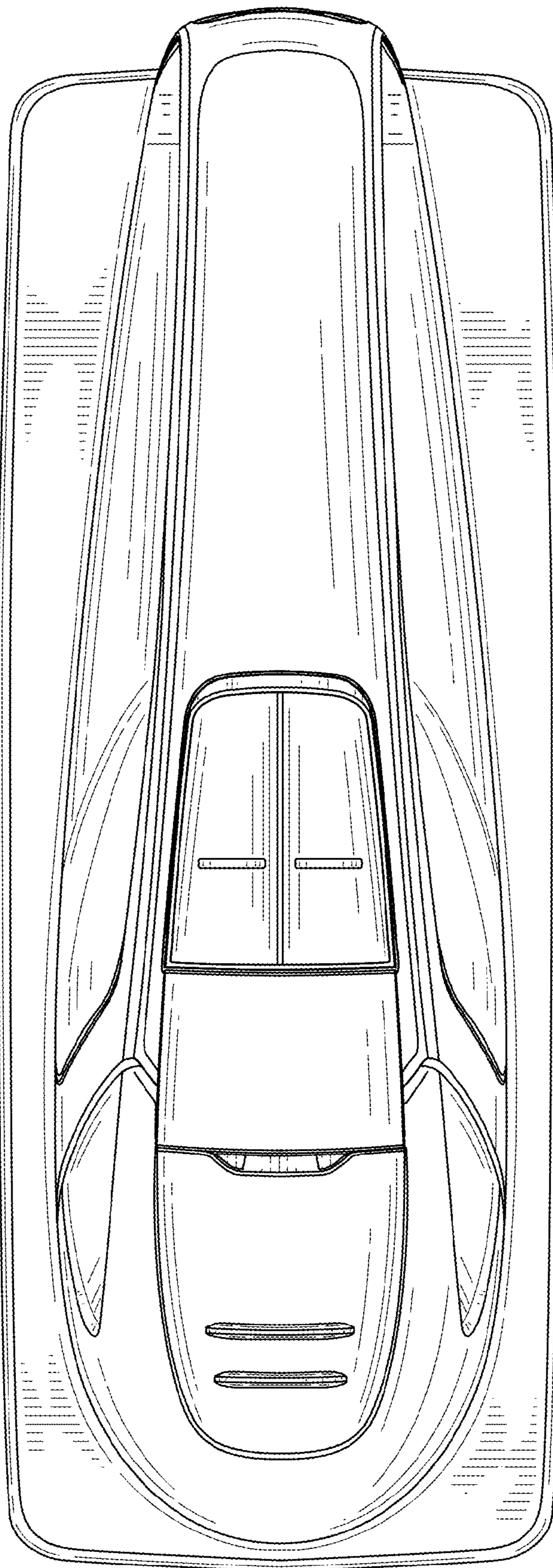


FIG. 5



**FIG. 6**



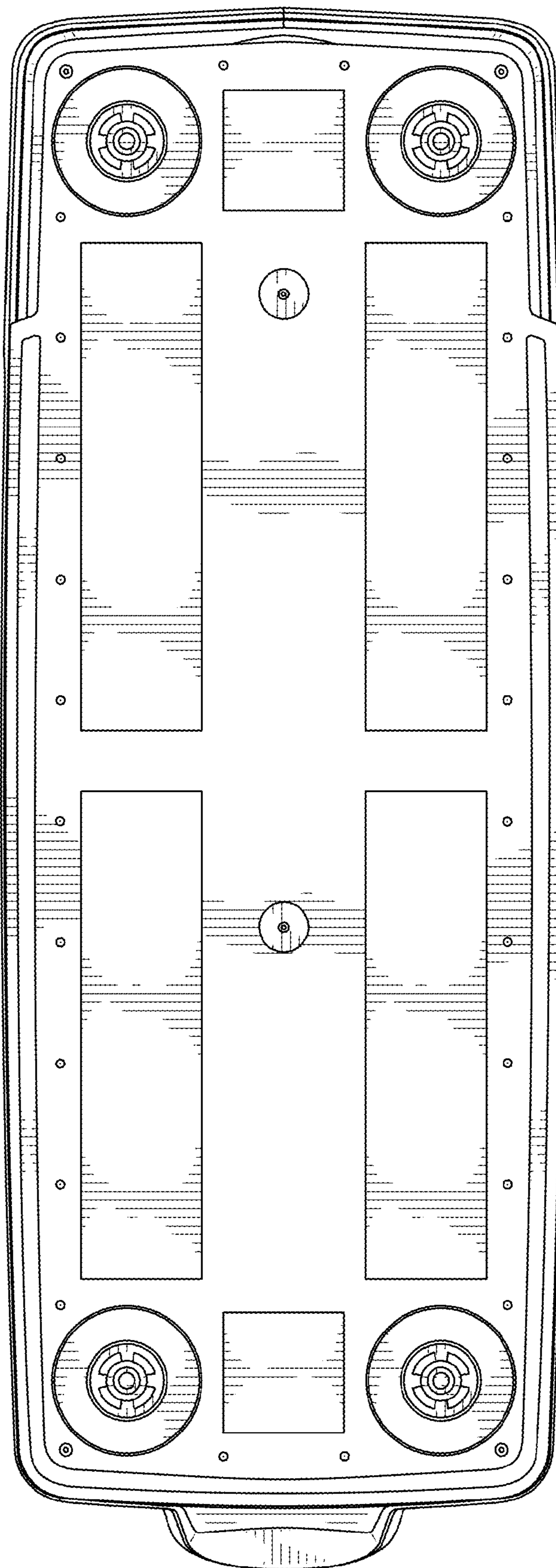


FIG. 7